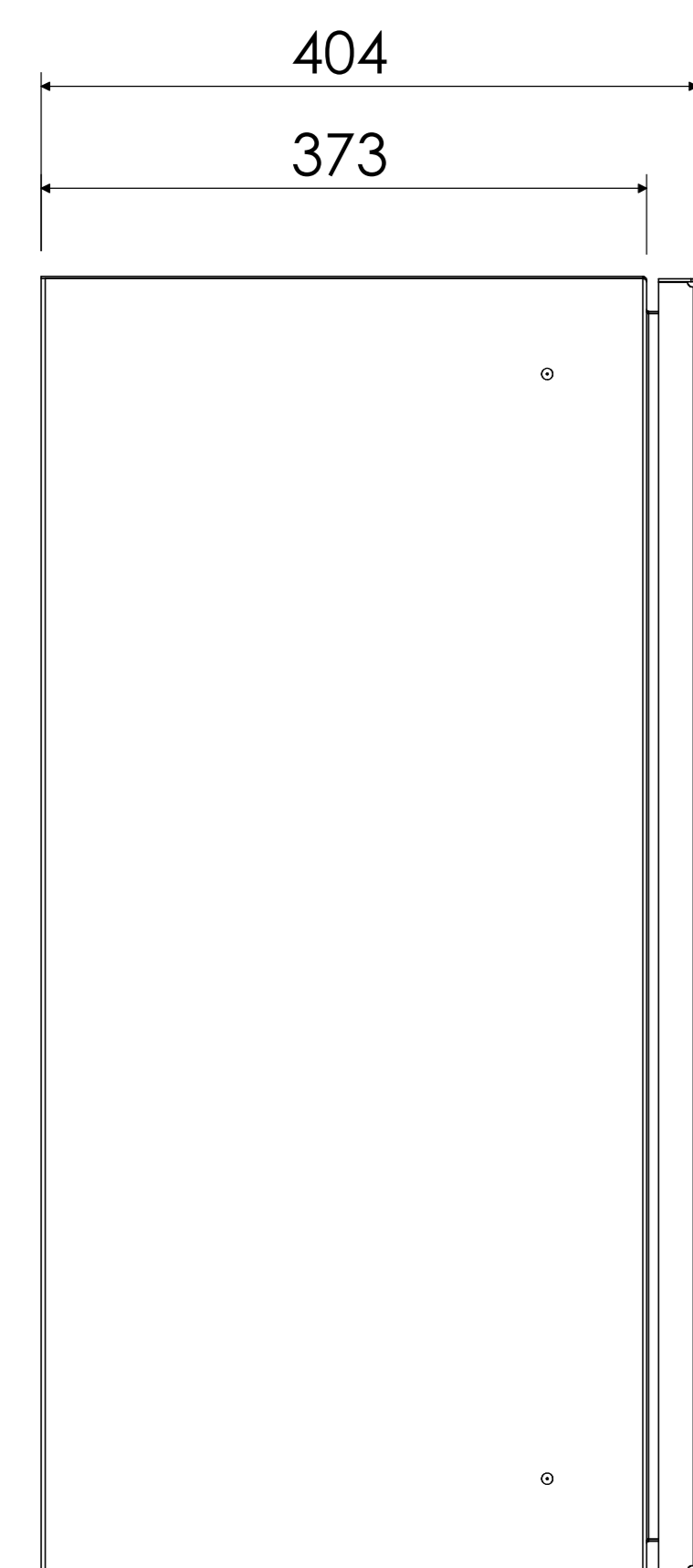
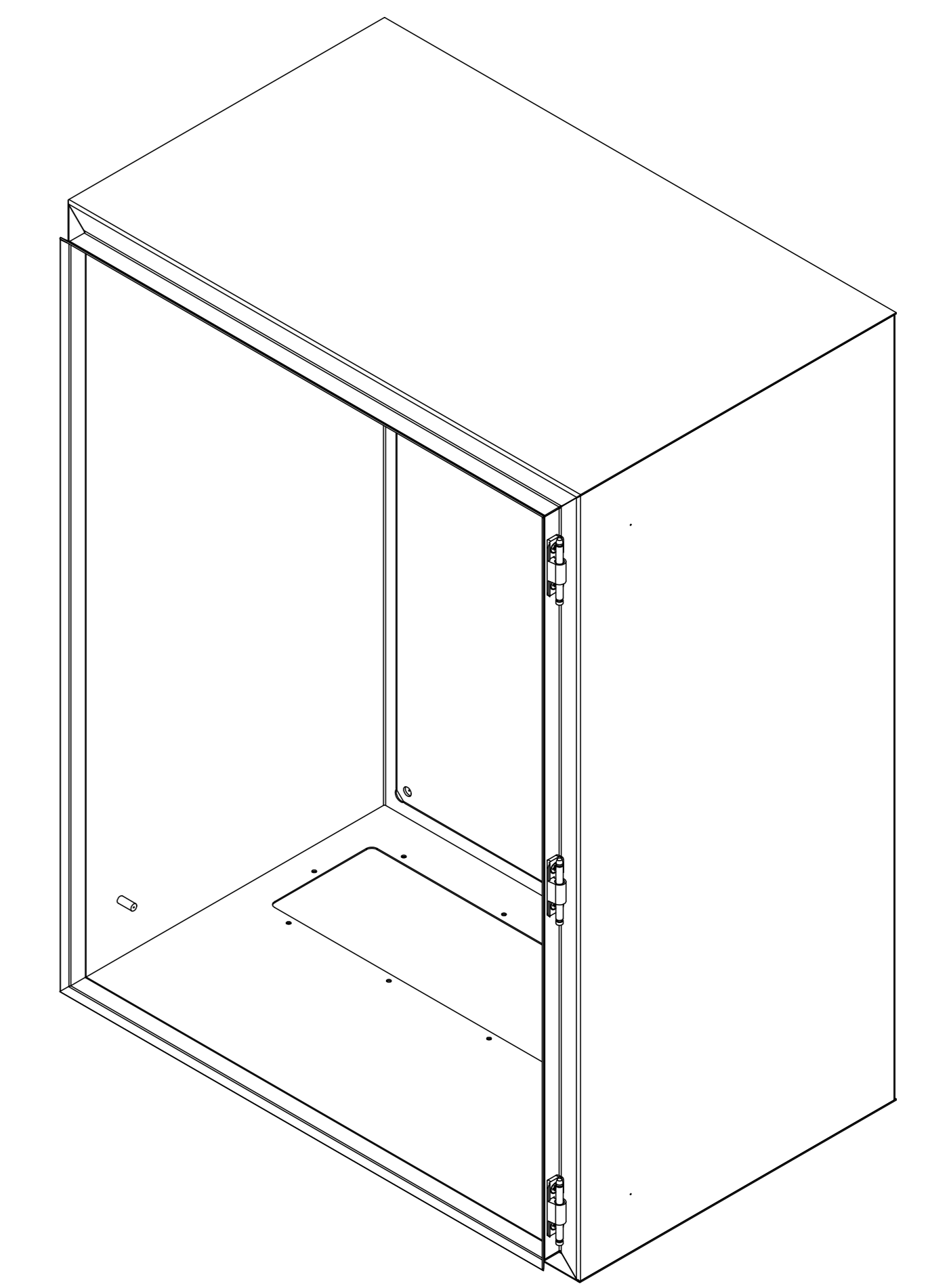
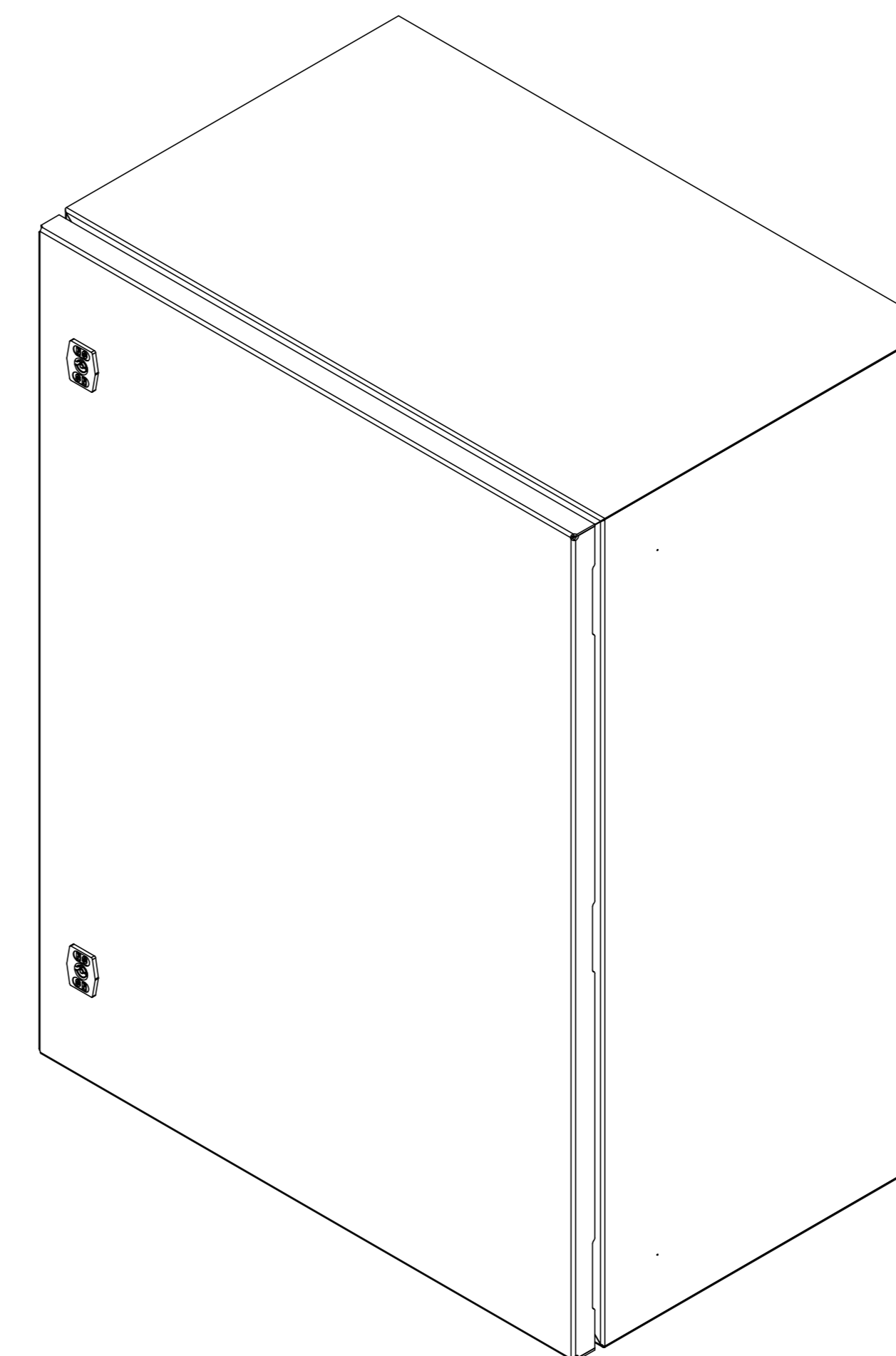
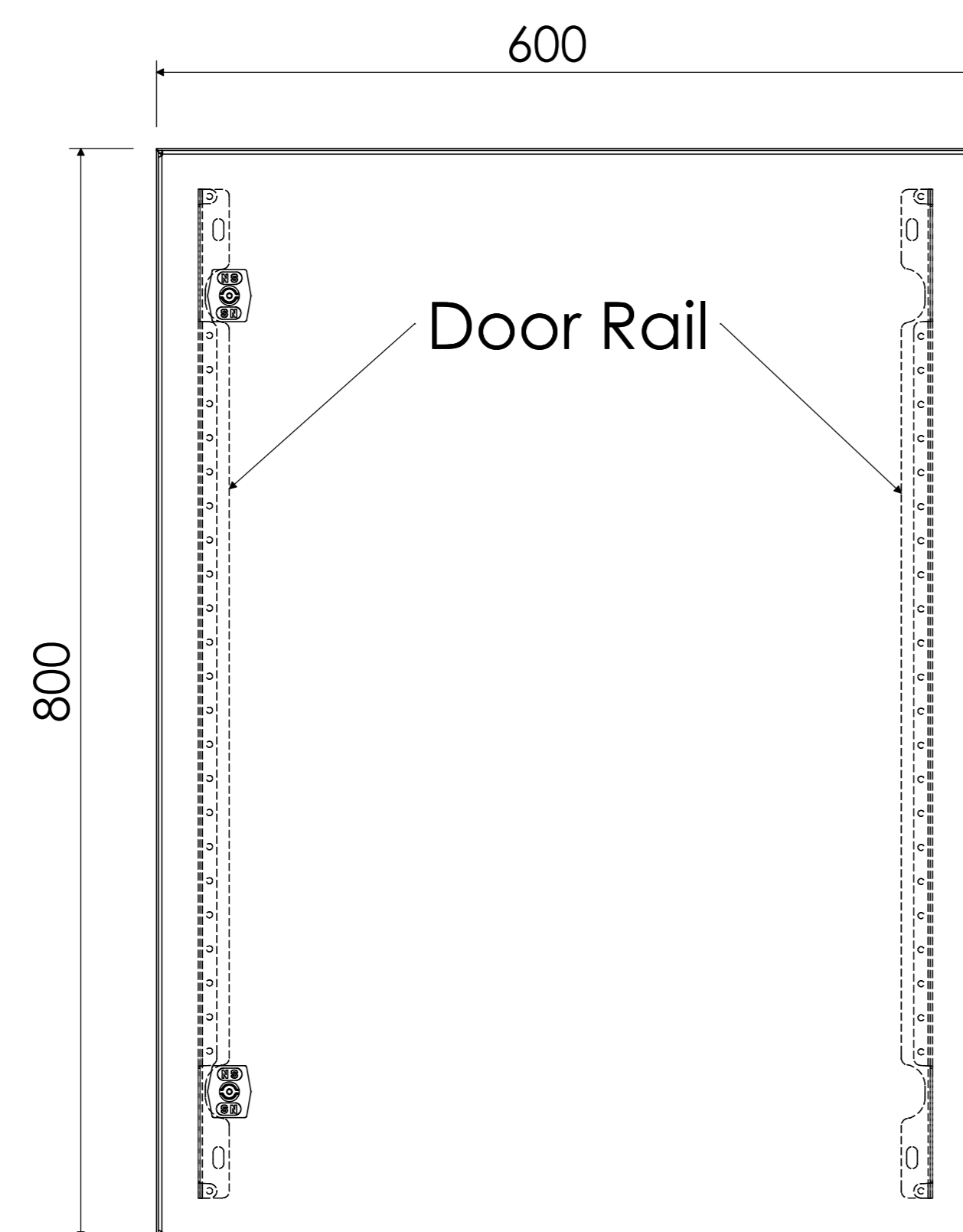




TOPVIEW

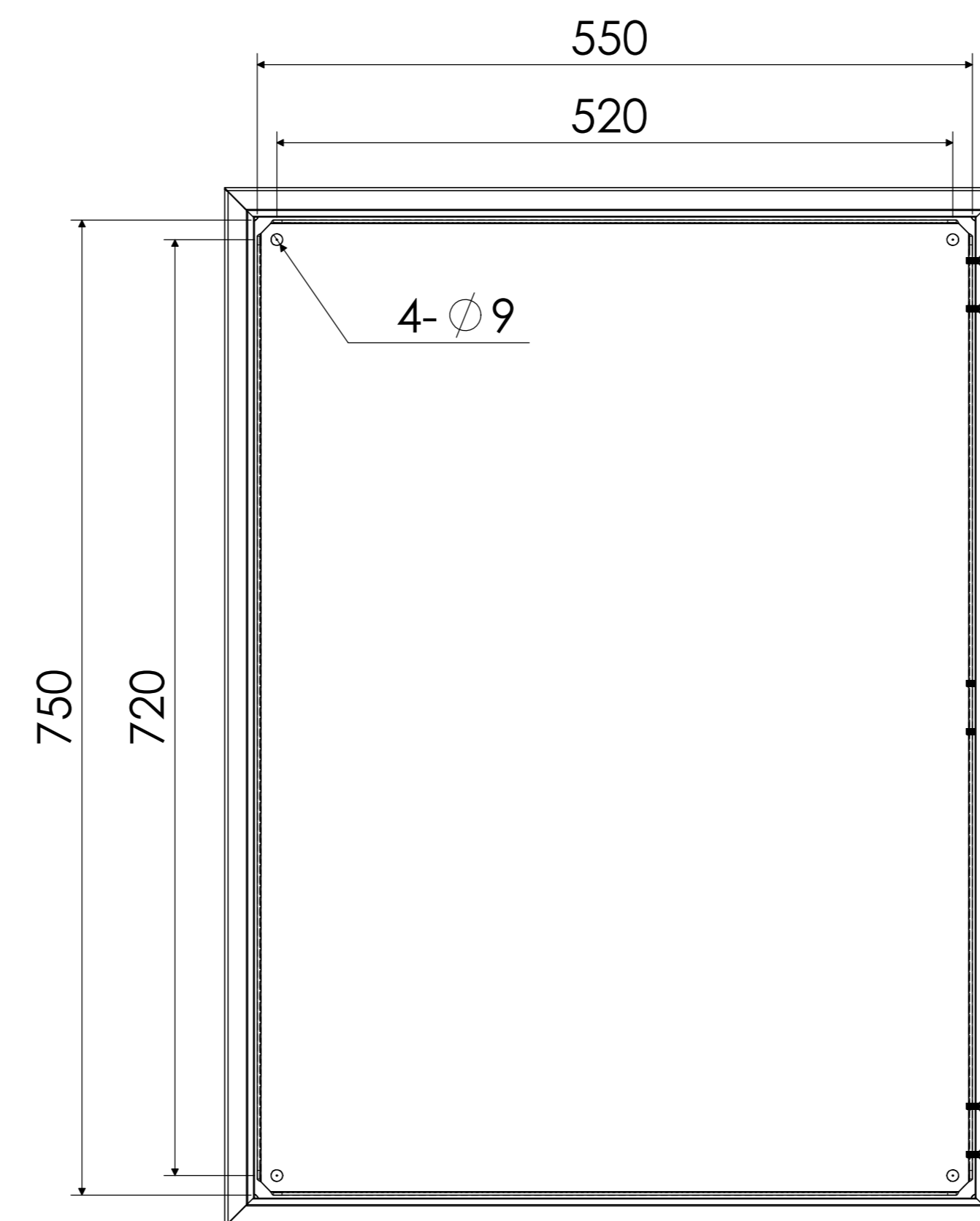


LEFT SIDE VIEW

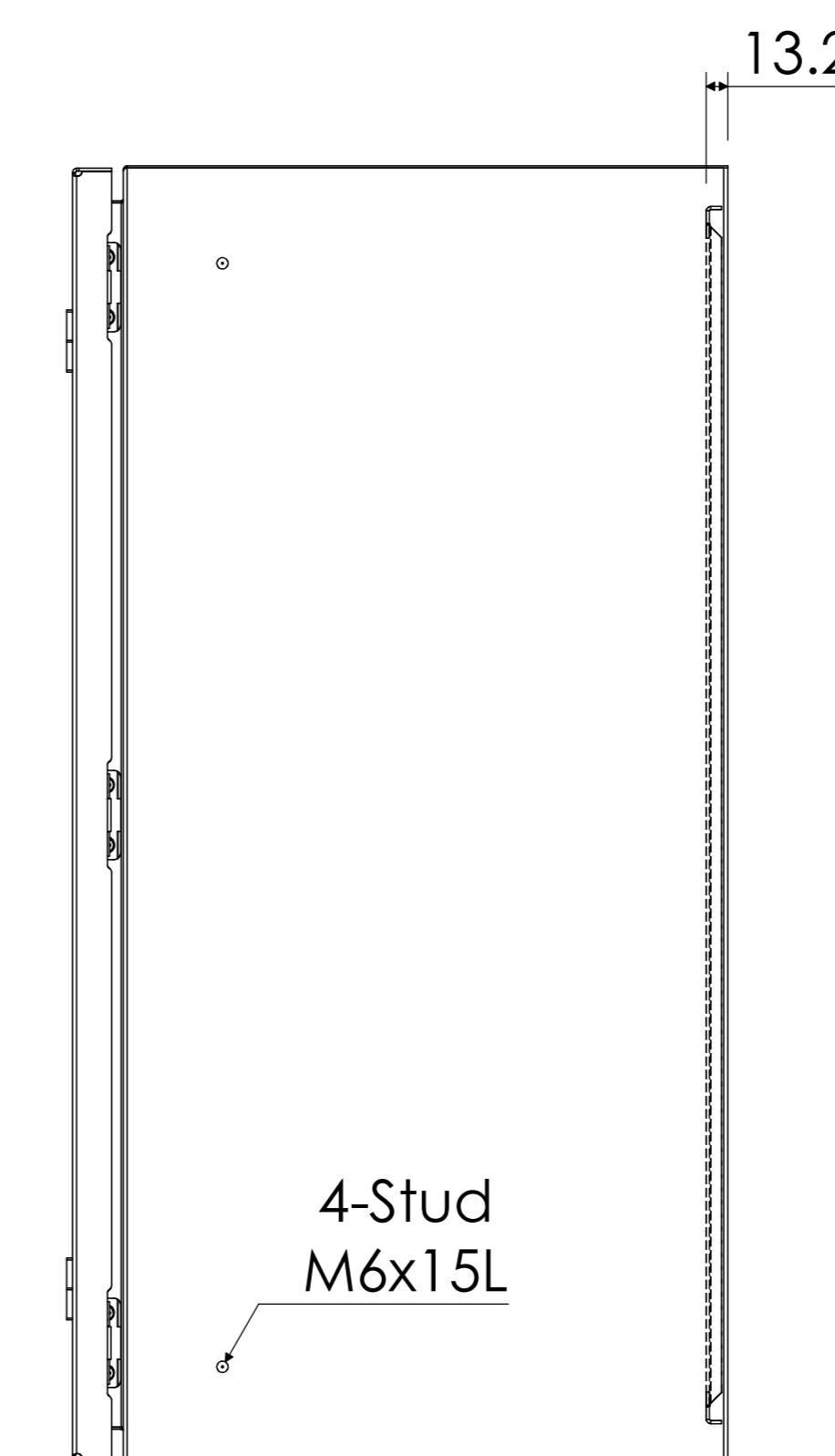


FRONT VIEW

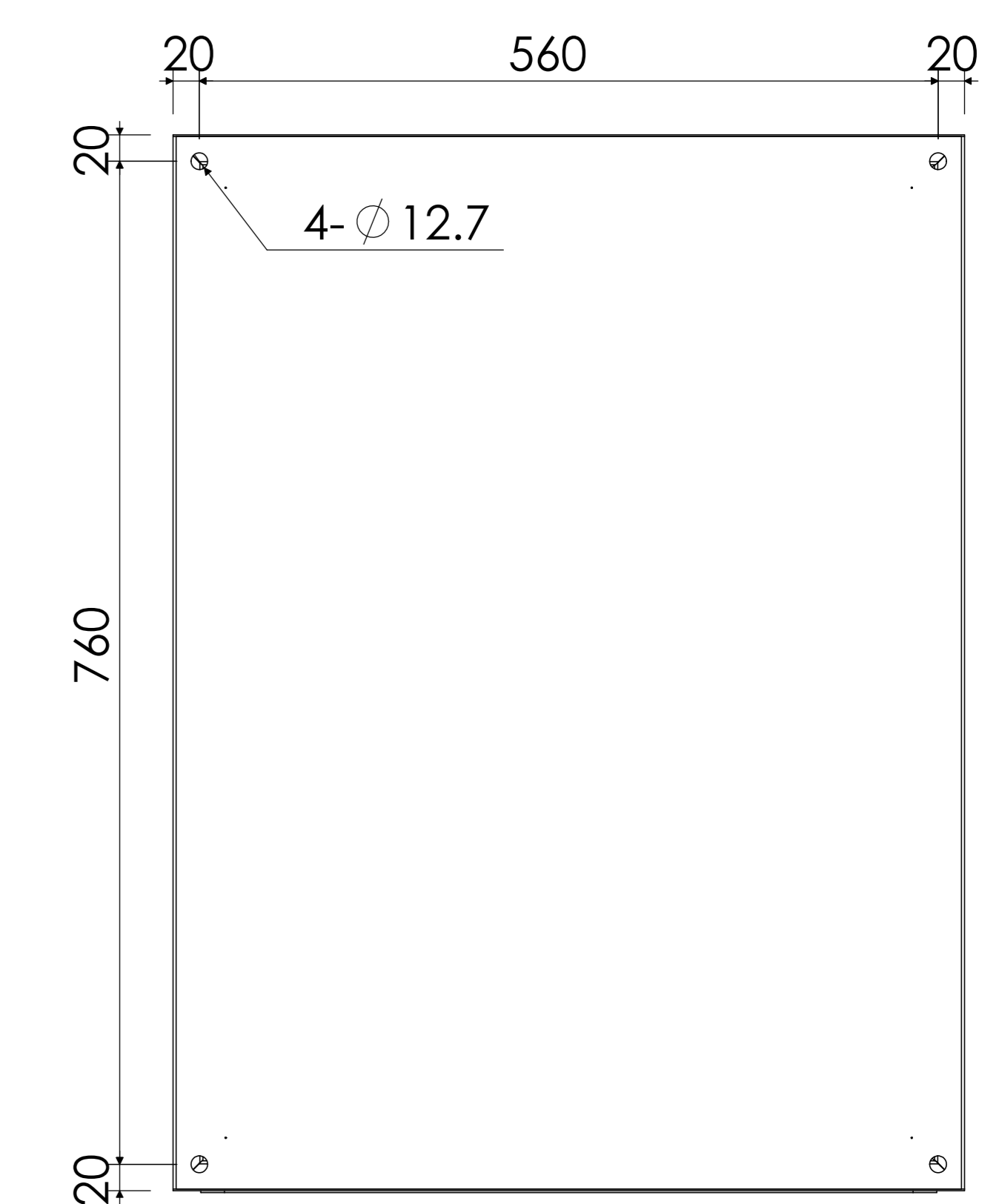
Mounting plate



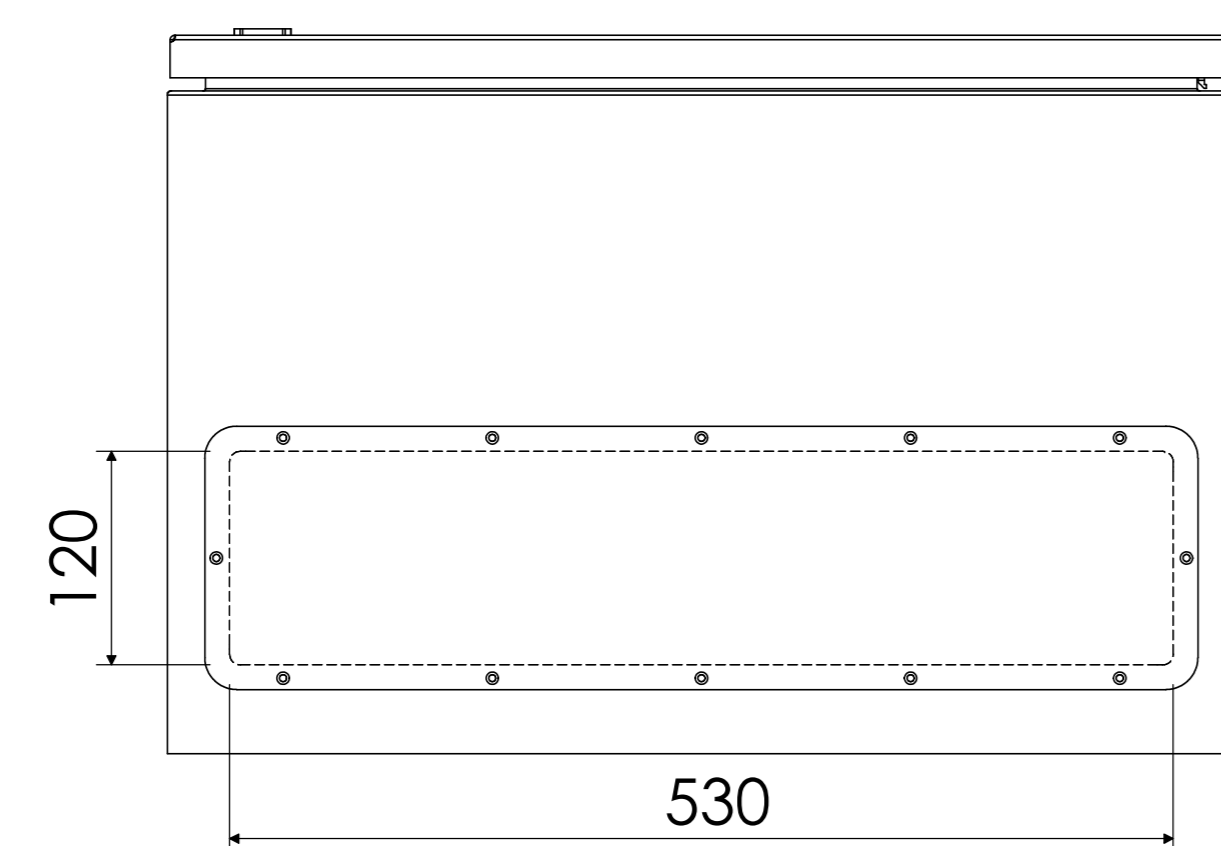
FRONT VIEW



RIGHT SIDE VIEW



REAR VIEW



BOTTOM VIEW

31.5KG

Body : CR Steel 1.2mm + Powder Coating
 Door : PO Steel 1.8mm + Powder Coating
 Mounting plate : GI Steel 2.0mm
 Hinge : Zinc Alloy
 Lock : Zinc Alloy

NOTE :

NS NONSTONE		Drawing No. FT-800-600-400							
Customer Order No.		SCALE:1:17 莫秀邦	Author	Editor	Approve.	Customer	NONSTONE	Order Qty.	1
Customer Drawing No.			Command	2499999	Date	2024/4/12			
Dimensions Unit	mm								