

## CMK Series CANbus Rocker

CANbus-enabled, operator control module for heavy duty equipment



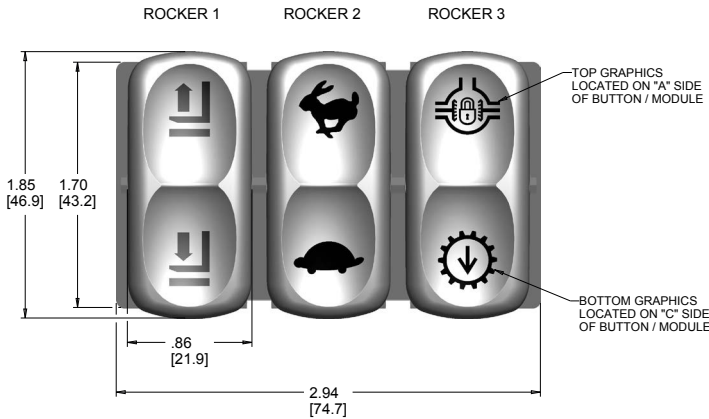
The CAN Rocker is a CANbus technology-enabled, programmable operator control module. The module is ideal for panels and armrests in heavy equipment and vehicles.

The CAN Rocker has three switches, each of which features two RGB LEDs to denote functions, such as cab temperature and vehicle speed. Use CAN messages to select nearly any LED color or brightness and to program buttons for two- or three-position, momentary or maintained action.

### Product Features

- Snap-in design for easy installation
- Programmable LEDs with variable intensity color and synchronized or individual flashing
- Standard and customizable icons
- Customer-configurable operating parameters
- Choose two- or three-switch position and momentary or maintained function for each rocker position
- Supports up to seven modules using a secondary CAN expansion bus connection
- Built-in Deutsch<sup>®</sup> connection
- 9-32VDC voltage input
- Sealed to IP65
- Withstands -40°C to +85°C operating temperatures
- Buttons available in black, red, yellow or orange color options

STANDARD ROCKER BUTTONS SHOWN

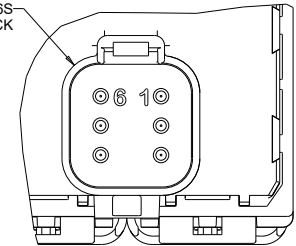


The standard CAN Rocker ships with a default configuration with pre-specified communications parameters. The CAN Rocker module may be ordered pre-configured to customer parameters to drop into a customer CAN network. In these cases, OTTO will establish a customer-specific part number tailored for every instance of a CAN Rocker module used. Consult with an OTTO salesperson for special pricing and more information. Refer to **User Manual** (OTTO P/N: **804487-1**).

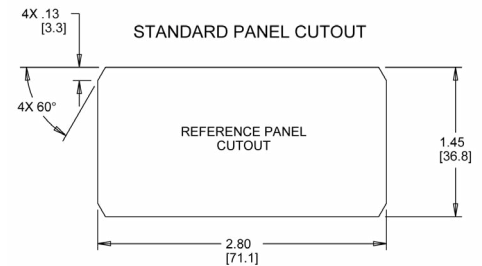
MATES WITH DEUTSCH DT06-6S WITH W6S WEDGE LOCK

CONNECTOR PIN OUT ORIENTATION

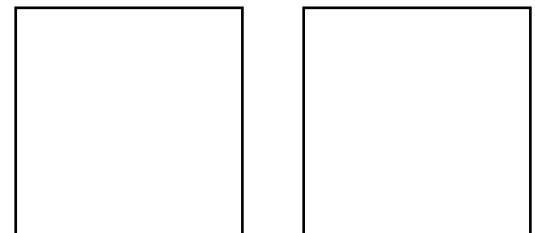
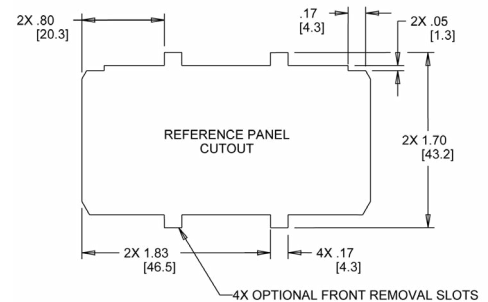
ELECTRICAL CONNECTIONS	
TERMINAL	FUNCTION FOR CONNECT
1	POWER (9-32 VDC)
2	CAN HIGH
3	EXPANSION CAN HIGH
4	EXPANSION CAN LOW
5	CAN LOW
6	GROUND

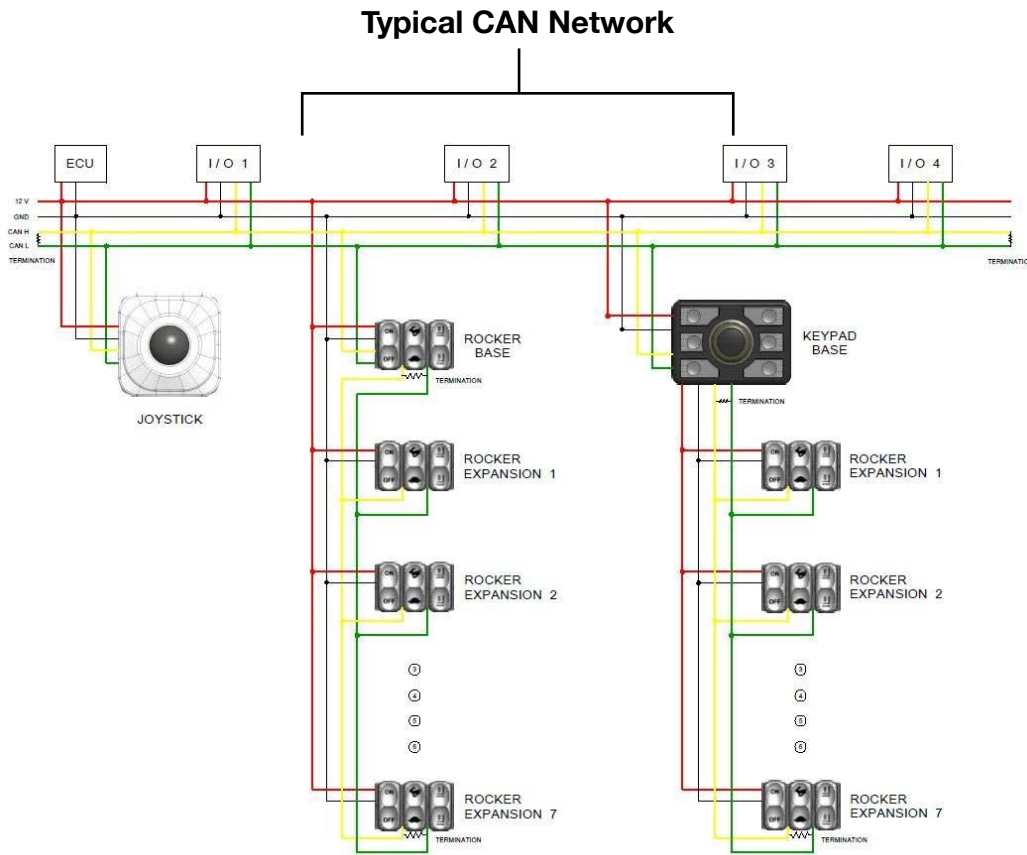


CONNECTOR PIN OUT ORIENTATION SHOWN FOR REFERENCE ONLY. (SWITCH IS NOT MARKED WITH TERMINAL IDENTIFICATION)



OPTIONAL PANEL OPENING FEATURES  
FRONT PANEL REMOVABLE SLOTS FOR SERVICING  
FROM THE FRONT PANEL WITHOUT FURTHER DISASSEMBLY





A customer's CAN network may include multiple networked CAN devices that communicate with each other.

For networks with multiple CAN Rockers, customers have two options: Either use multiple CAN Rocker base modules, each with their own individual address on the network. Or use one CAN Rocker base module connected to the CAN network and CAN Rocker expansion modules that connect to the base module (not connected directly to the network).

The CAN Rocker base module supports up to seven CAN Rocker expansion modules. The first selectable number in the CAN Rocker's OTTO Part Number denotes the Module Programming. When ordering, specify either a base module to accommodate 0-7 expansion modules or an expansion module sitting in position 1-7 on the network.