

# SEALED COMMERCIAL GRADE PUSHBUTTONS

**P3**  
COMMERCIAL  
PUSHBUTTONS

MOMENTARY ACTION, SEALED, SNAP-ACTION, DOUBLE BREAK

Makes and breaks every time! The OTTO design features inherent rocking action that breaks welds and wipes contacts clean.

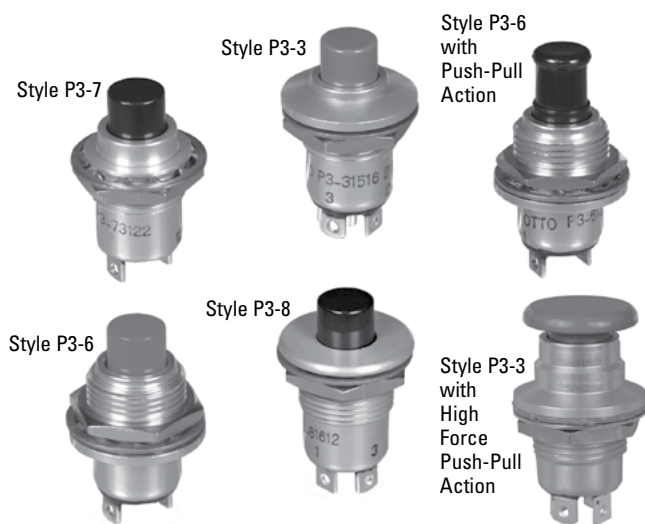
The P3 is the commercial version of the P1 Pushbutton switch, offering vastly improved life under extreme conditions found in some industrial environments. The pushbutton is sealed by a silicone boot operating on our patented "rolling sleeve," providing longer life and smoother operation over a wide temperature range. Epoxy protects the contacts and terminals from hostile environments and solder flux.

High contact force (120g/4.2 oz) and short contact bounce are the result of our snap-action mechanism. These characteristics provide exceptional current carrying capabilities over the life of the switch. With the optional logic level (gold plate) configuration, the P3 is well suited to interface directly to computers and other solid state devices.

Watertight sealing is available by simply adding "W" to your part number. Because the P3 is a double break switch, wide connection possibilities, longer life and greater capacity are offered. The P3 design provides a unique terminal connection to the moving element for added flexibility. Special versions can be provided with five terminals to control up to four circuits.

## Features:

- Button sealed with patented "rolling sleeve" principle
- Contact area sealed at button & terminals
- Positive tactile feedback
- Engraved buttons & bezels available
- UL recognized
- 1 million mechanical cycle life
- Watertight to IP68S available in all versions
- Watertight to IP69K available in non push-pull versions
- RoHS compliant

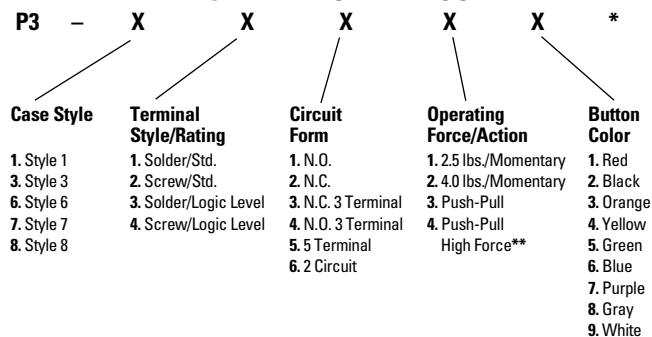


### Standard Characteristics/Ratings:

#### ELECTRICAL RATINGS:

Load	Sea Level @ 28VDC or 115VAC, 60/400Hz	50,000 feet @ 28VDC or 115VAC, 60/400Hz	Cycles
Resistive	10A	N/A	100,000
Inductive	5A	5A	100,000
Lamp	3A	N/A	100,000
Center Contact	3A max	N/A	100,000
DVV	1000Vrms	400Vrms	
Logic Level	10mA @ 5VDC		
<b>Electrical Life:</b>	25,000 or 100,000 cycles (depending on configuration) High Force Push Pull 5,000 cycles		
<b>Mechanical Life:</b>	1 million cycles, circuit forms 1, 2 & 6 100,000 cycles, circuit forms 3, 4 & 5 High Force Push Pull 5,000 cycles		
<b>Seal:</b>	IP64 or IP68S and IP69K IP64 or IP68S on push-pull versions		
<b>Shock:</b>	MIL-STD-202, method 207		
<b>Operating Temp Range:</b>	-55°C to +85°C, High Force Push Pull -40°C to +85°C		
<b>Operating Force:</b>	2.5 lbs. or 4.0 lbs. Push-Pull: .5 to 2.0 lbs. Push-Pull High Force: 3.0 lbs. min.		
<b>Reset Force:</b>	0.75 lb. min or 1.0 lb.		
<b>Total Travel:</b>	0.085 +/- 0.015 inches		
<b>Overtravel:</b>	0.012 inches min		
<b>Movement Differential:</b>	0.015 inches min		
<b>MATERIALS:</b>			
<b>Case:</b>	Anodized aluminum alloy		
<b>Button:</b>	Thermoplastic		
<b>Terminals:</b>	Brass with silver, gold for logic level		
<b>Terminal Hardware:</b>	Screws, lockwasher and terminal lug for screw terminal option		
<b>Mounting Hardware:</b>	Hex nut, lockwasher and panel seal when applicable		

### P3 PART NUMBER CODE

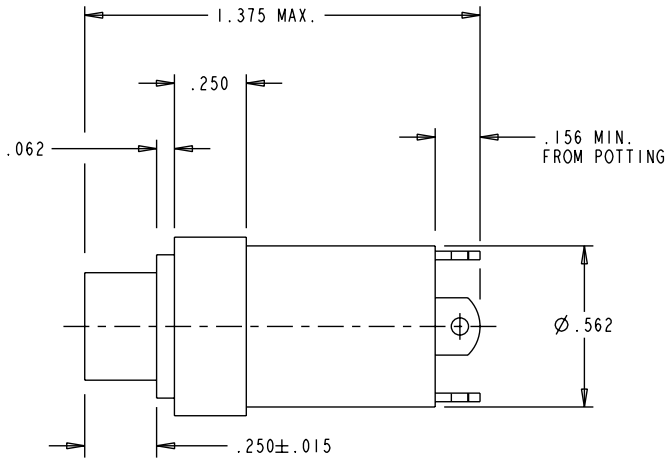


\* Add "W" suffix for watertight to IP68S and IP69K for Operating Force/Action selections 1 and 2.

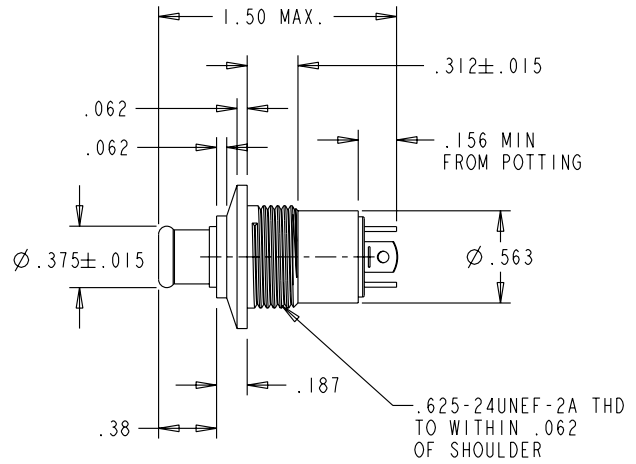
Add "W" suffix for watertight to IP68S for Operating Force/Action selections 3 and 4.

\*\*Available in Case Style 3 only.

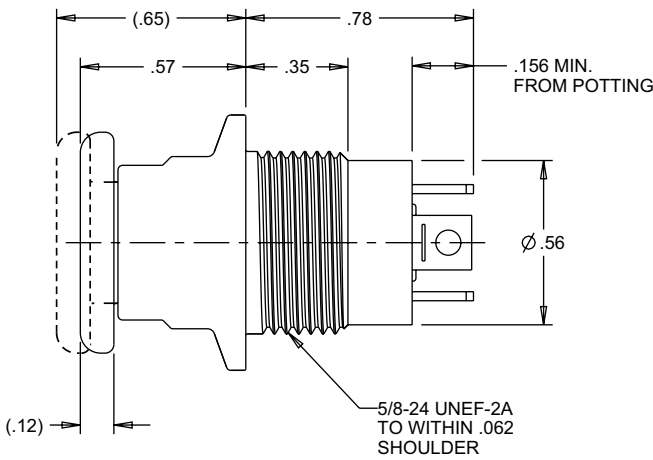
IDEAL FOR USE IN HEAVY MACHINERY & COMMERCIAL APPLICATIONS



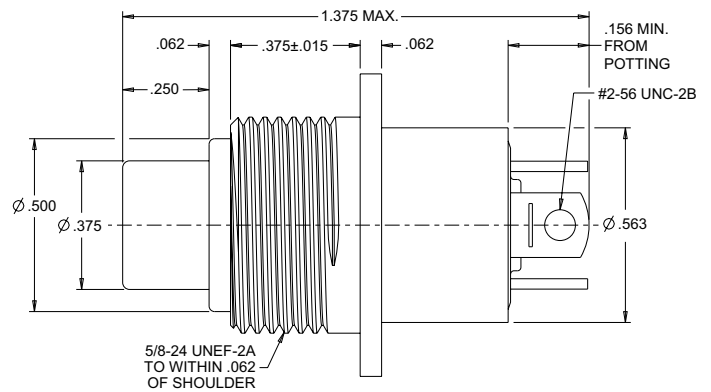
**Style P3-11\_2**



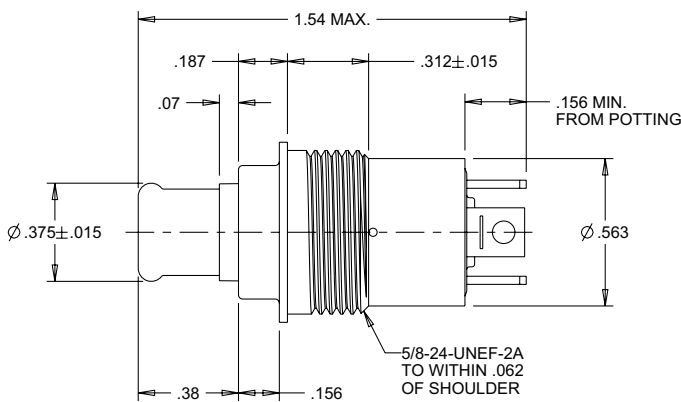
**Style P3-33\_3 Push-Pull**



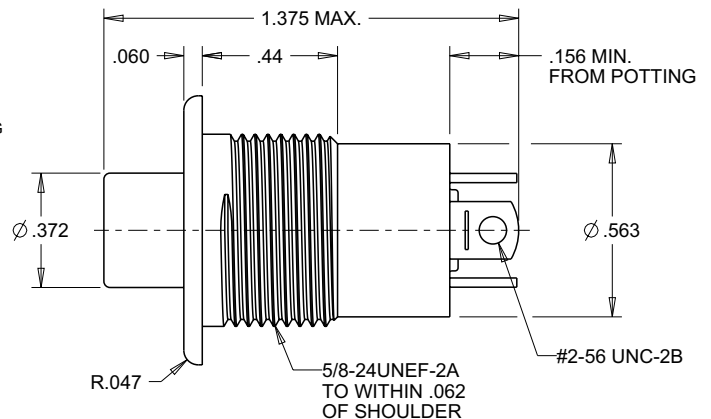
**Style P3-33\_4 Push-Pull High Force**



**Style P3-61\_1**



**Style P3-71\_3**



**Style P3-83\_1**