

SNAP-IN PANEL MOUNTING, ATTRACTIVE & RUGGED FOR WET & DUSTY ENVIRONMENTS

Sealed to IP68S, the K3P series of panel plugs with LED indicator lights provides reliable visual feedback to control operators. The K3P panel plugs and OTTO's K3 rocker switches share the same panel cutout size and snap-in front panel mounting method. This allows you to create a uniform panel appearance in your applications. Choose up to 70 different standard legends, 6 lens colors, 5 legend colors and 4 LED colors with 4 voltage options.



Standard Characteristics/Ratings:	
Seal:	IP68S
Operating Temp Range:	-40°C to +85°C
MATERIALS:	
Case and Base:	Black Thermoplastic
Button:	Black Thermoplastic
Terminals:	Brass Alloy

K3P PART NUMBER CODE

K3P	-	X	X	X	X	X
Light Source Position "A"		Light Source Position "C"		Lens Color Position "A"		Lens Color Position "C"
1. Red		1. Red		1. Transparent Red		1. Transparent Red
2. Green		2. Green		2. Transparent Green		2. Transparent Green
3. Amber		3. Amber		3. Transparent Amber		3. Transparent Amber
4. Blue		4. Blue		4. Clear		4. Clear
Z. No Illumination		Z. No Illumination		5. Translucent White		5. Translucent White
				6. Transparent Blue		6. Transparent Blue
				Z. No Lens		Z. No Lens
						LED DC Voltage*
						1. 2V
						2. 6V
						3. 12V
						4. 24V

STOP HERE for lighted indicator without legends.

For legends, continue with part number code below.

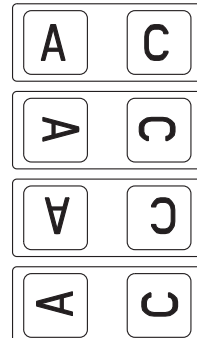
*See appendix for complete voltage/current ratings table.

K3P PART NUMBER CODE - CONTINUED FOR LIGHTED INDICATORS WITH LEGENDS

-	XX	XX	X	X	X
	Legend Style		Legend Color		Legend Orientation
	Position "A"	Position "C"	Position "A"	Position "C"	Position "A"
	ZZ. No Legend	ZZ. No Legend	1. Red	1. Red	1. Std.
			2. Black	2. Black	2. 90°
			9. White	9. White	3. 180°
			B. Backlight/Daylight White ①	B. Backlight/Daylight White ①	4. 270°
			D. Backlight/Deadfront ①	D. Backlight/Deadfront ①	
			Z. No Legend	Z. No Legend	

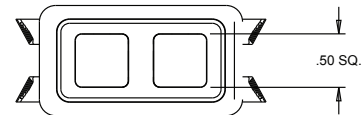
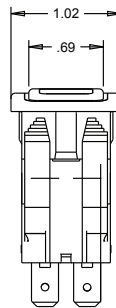
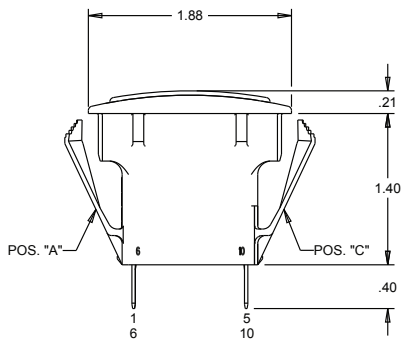
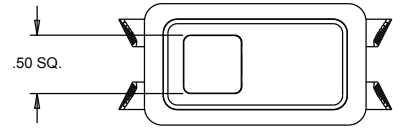
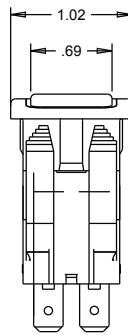
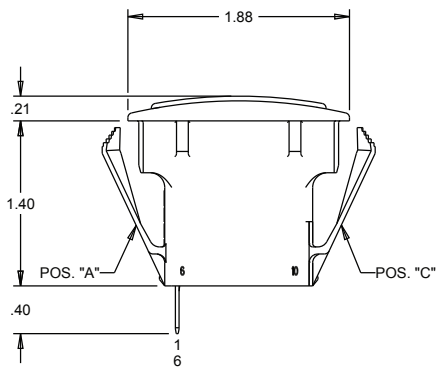
NOTE: For all other legend options, refer to the legend table in the appendix, find the two digit code and enter the code in the appropriate position(s).

① Legend colors "B" and "D" use lens color "Z" for each position.



PANEL PLUG WITH INDICATOR LIGHTS

SNAP-IN PANEL MOUNTING, ATTRACTIVE & RUGGED FOR WET & DUSTY ENVIRONMENTS



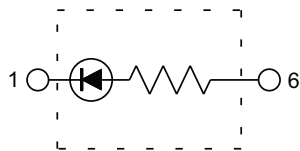
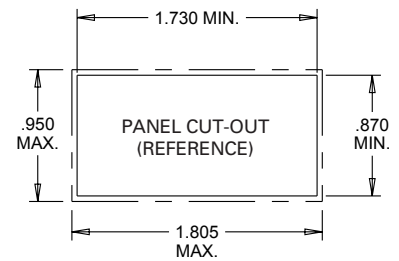
MOUNTING OPENING:

PANEL THICKNESS RANGE OF .025 - .105 PANEL SEAL GASKET P/N C807037-25 IS RECOMMENDED

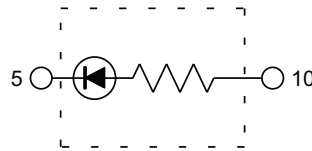
PANEL THICKNESS RANGE OF .105 - .187 W/O GASKET

PANEL OPENING: MIN. TYP. MAX.

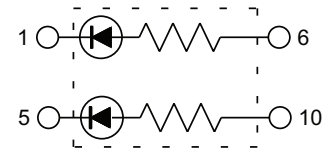
WIDTH	.870	.937	.950
LENGTH	1.730	1.768	1.805



IND. LIGHT IN "A" SCHEMATIC



IND. LIGHT IN "C" SCHEMATIC



DUAL IND. LIGHT SCHEMATIC