

SEALED SWITCH WITH HIGH CYCLE LIFE



Capacitive Switch
Concave Button
CS-1



Capacitive Switch
Raised Button
CS-2

The New CS Series Capacitive Touch Sensor Switch is designed for applications where control functions are needed for an unobtrusive style. The switch changes output level with the presence of a finger or hand (gloved or ungloved) which makes it ideal for use as an on-off switch.

The switch sensing area can be a concave surface or a slightly raised surface. It can also be customized to accommodate surfaces of irregular shape. The CS is designed to be mounted in a panel, grip, armrest or other surface.

The switch can be used as a single device or in combination with additional CS switches and controlled by software programming. Another unique feature for the CS series is that it can be painted over and still function. This makes it ideal for customers who want to place their own pad printed icon or clear adhesive icons.

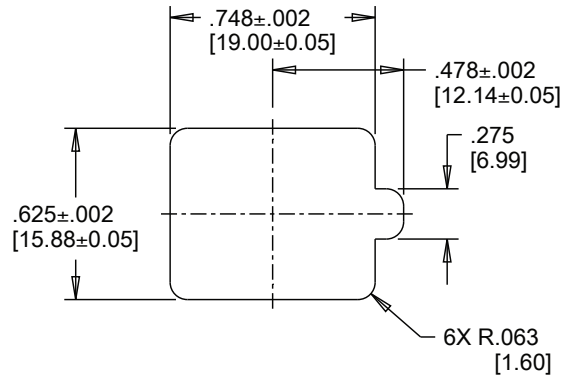
The CS series comes standard sealed to IP68S.

Features:

- Operates by touch with a gloved or ungloved hand
- Two standard shapes, but can be customized
- Active low output
- No moving parts to wear out
- Wide operating temperature range
- Completely sealed to IP68S
- RoHS compliant

Standard Characteristics/Ratings:						
Sensing Distance: (from surface)	1/16" to 1/8"					
Cycle Life:	50M cycles					
Operate Force:	0 lbs.					
Operating Temperature:	-40°C to +85°C					
Enclosure Seal:	IP68S					
ELECTRICAL RATINGS:						
Nominal DC Specifications						
Parameter	Description	Min.	Typ	Max.	Units	Notes
VDD	Supply Voltage	1.8		5.5	V	
IDD	Supply Current		4.0	4.5	mA	
VOL	Low Output Voltage			0.6	V	Out, 4mA SINK
ENVIRONMENTAL:						
EMI:	CISPR 25 (contact factory for more details)					
ESD:	ISO 10605 (contact factory for more details)					
MATERIALS:						
Housing Material:	Thermoplastic					
Wires:	24 AWG (x3)					

SUGGESTED PANEL CUTOUT



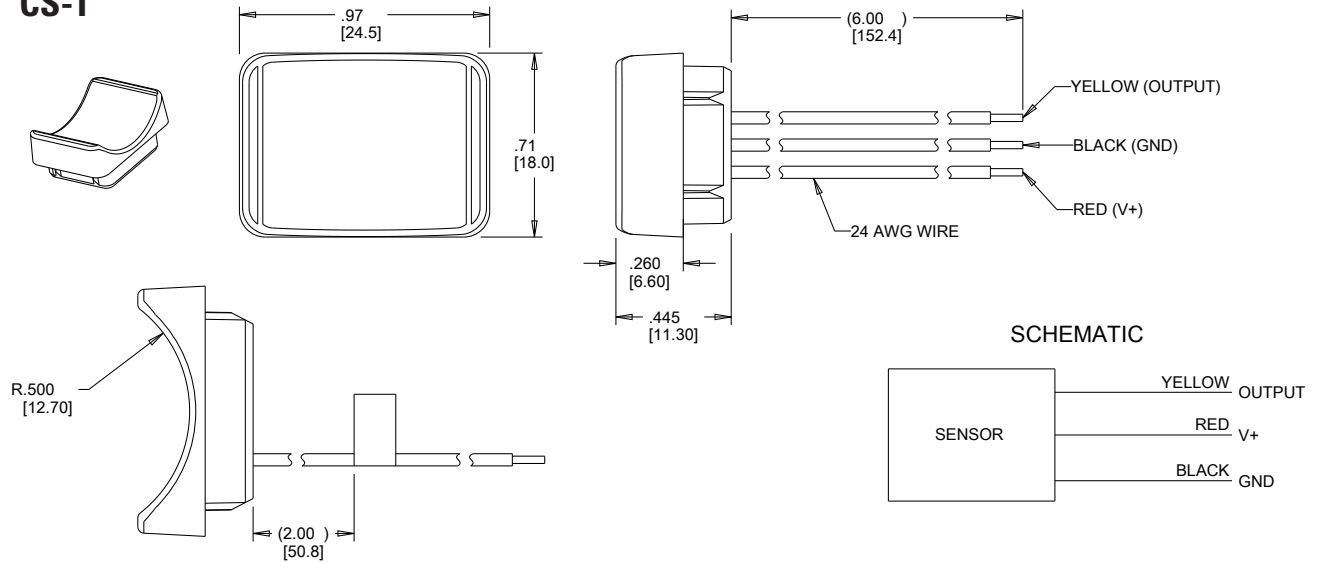
CAPACITIVE SWITCH PART NUMBER CODE

CS	-	X		X		X
Configuration		Output		Sensitivity		Color
1. Concave 2. Raised		1. Active Low		1. High 2. Medium		2. Black
						Termination
						1. Flying Leads 6"

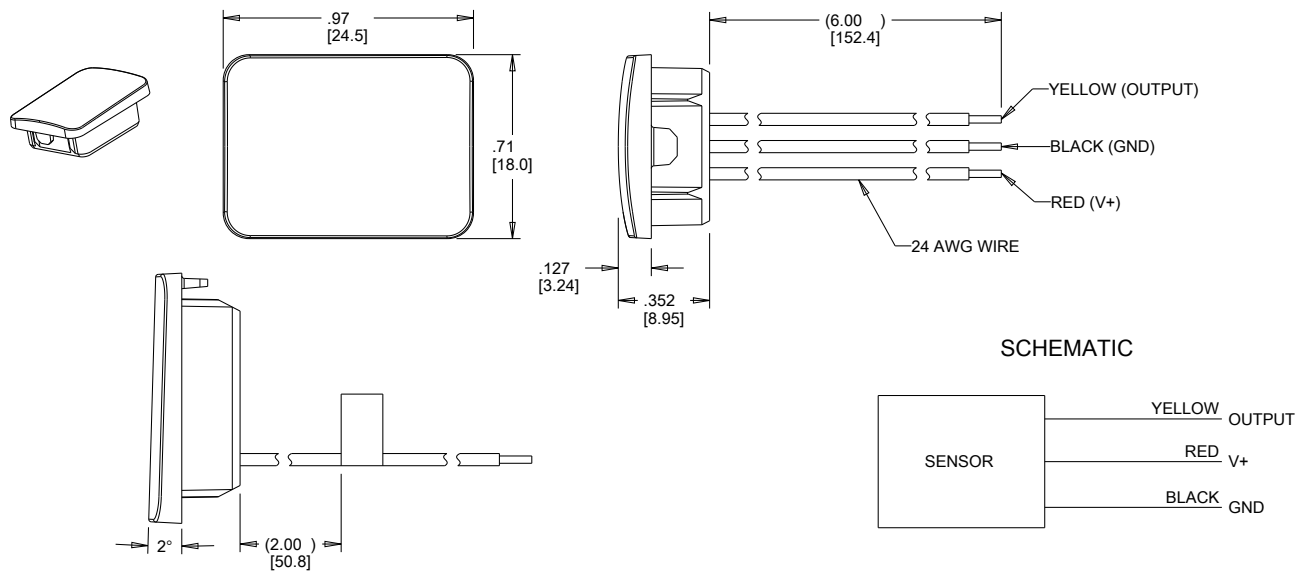
CAPACITIVE TOUCH SWITCH

SEALED SWITCH WITH HIGH CYCLE LIFE

CS-1



CS-2



Unless otherwise specified, all dimensions are in inch [metric]. In the event of a conflict, the inch nominal value and tolerance will take precedence.