

POSITIVE ACTION TOGGLE

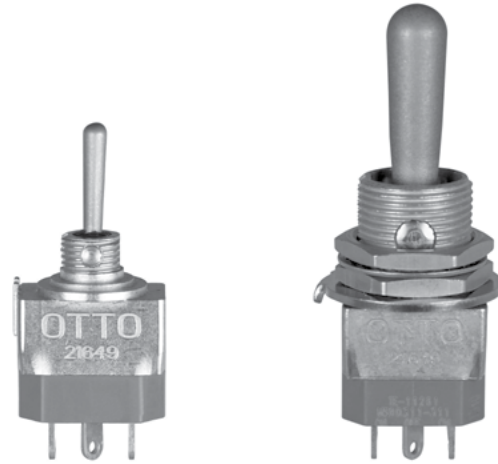
The TE series is a MIL qualified, positive make and break, panel mount toggle switch.

The positive action mechanism assures that the switch will actuate even when actuated slowly. A silicone seal protects the contact area from contaminants such as dust, moisture and sand. All metal components are corrosion resistant and designed to exceed all military requirements.

This environmentally sealed switch is available in single and double pole configurations with 15/32 or 1/4-40 bushings. The TE series is ideal in applications for dry circuits, low level and power switching applications.

Features:

- Positive action miniature toggle
- Wiping action contacts
- Momentary & maintained toggle action
- Panel mount
- Solder lug termination
- Single & double pole
- Sealed per MIL-DTL-8834
- MIL qualified MS90310-211/221/231/271/311
MS90311-211/221/231/271/311
MS24655-211/221/231/271/311
MS24656-
211/221/231/271/311/331/341/351
- RoHS compliant
- Black matte finish available. Contact factory

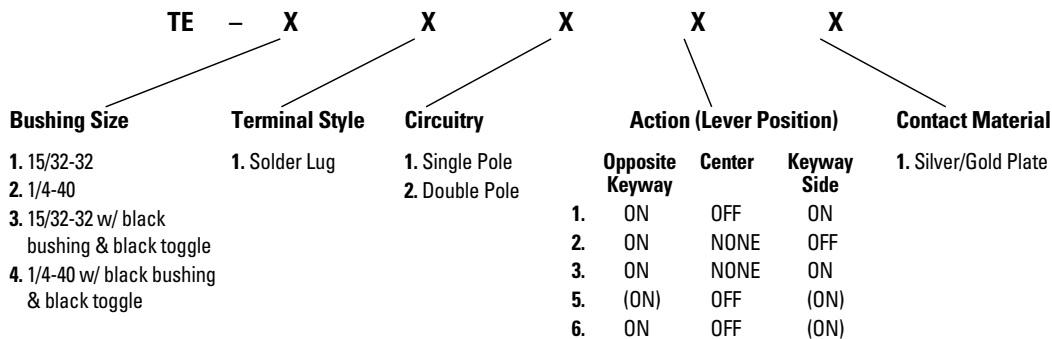


1/4-40 Bushing Style

15/32-32 Bushing Style

Standard Characteristics/Ratings:				
ELECTRICAL RATINGS:				
Load	Sea Level @ 28VDC	Sea Level @ 115VAC, 60Hz	Sea Level @ 115VAC, 400Hz	Sea Level Low Level @ 5mV
Resistive	5A	2A	3A	25 µA
Inductive	1A	1A	2A	25 µA
Electrical Life:		20,000 cycles		
Mechanical Life:		40,000 cycles		
Seal:		Per MIL-DTL-8834		
Operating Temp Range:		-55°C to +71°C		
MATERIALS:				
Handle:		Stainless steel with lusterless finish		
Bushing:		Zinc alloy (15/32) or stainless steel		
Cover:		Zinc alloy or stainless steel		
Mounting Hardware:		Hex nuts, lockwasher and keyway washer. Silicone panel seal when applicable		

TE PART NUMBER CODE



Optional Panel Seal Gasket for 15/32-32 bushing
P/N C710196 per MIL. P/N M5423/16-01

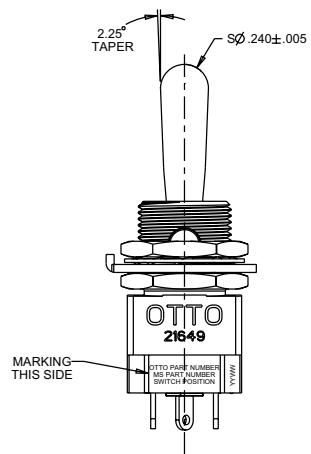
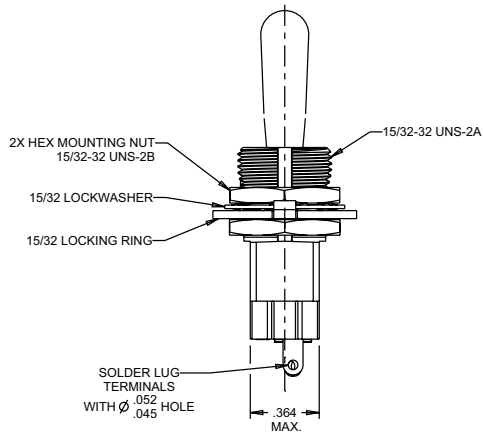
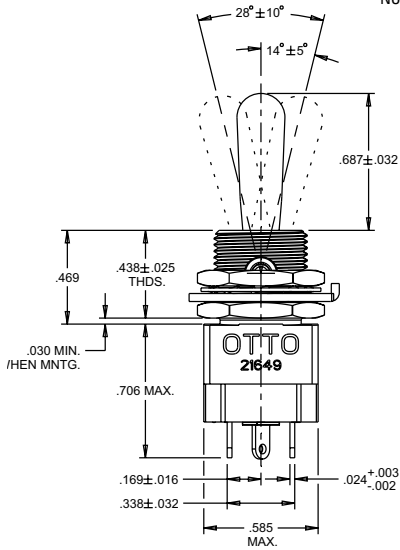
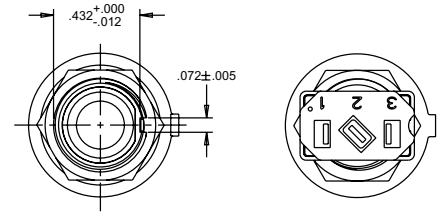
NOTE: () denotes momentary action.

POSITIVE ACTION TOGGLE

TE-111 15/32-32, Single Pole MS90310

CIRCUITS MADE WITH LEVER IN THESE POSITIONS:				
	Opposite Keyway	Center	Keyway	MS Dash Number
1.	ON 2-3	OFF	ON 1-2	-211
2.	ON 2-3	NONE	OFF	-221
3.	ON 2-3	NONE	ON 1-2	-231
5.	(ON) 2-3	OFF	(ON) 1-2	-271
6.	ON 2-3	OFF	(ON) 1-2	-311

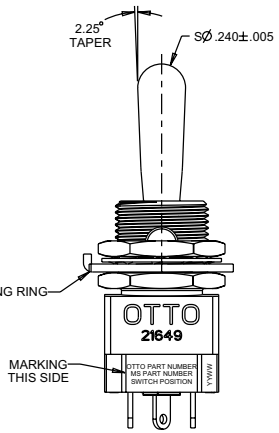
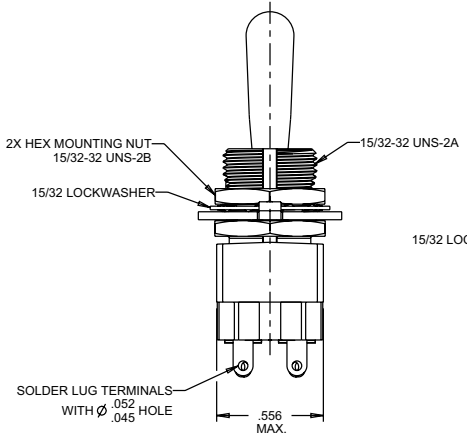
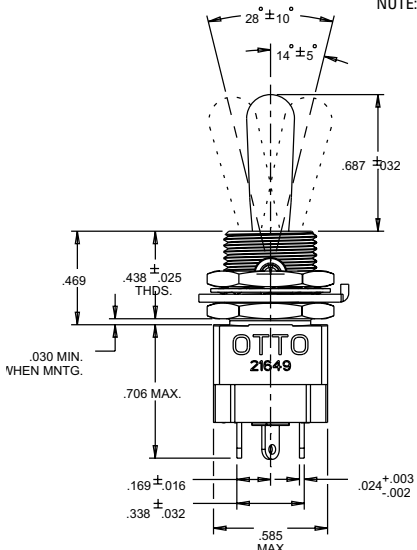
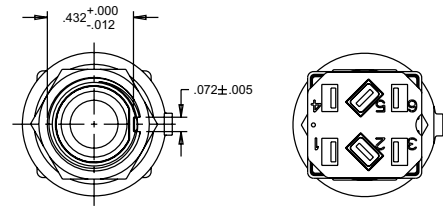
NOTE: () denotes momentary action.



TE-112 15/32-32, Double Pole MS90311

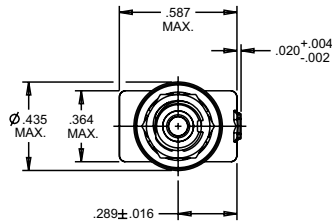
CIRCUITS MADE WITH LEVER IN THESE POSITIONS:				
	Opposite Keyway	Center	Keyway	MS Dash Number
1.	ON 2-3, 5-6	OFF	ON 1-2, 4-5	-211
2.	ON 2-3, 5-6	NONE	OFF	-221
3.	ON 2-3, 5-6	NONE	ON 1-2, 4-5	-231
5.	(ON) 2-3, 5-6	OFF	(ON) 1-2, 4-5	-271
6.	ON 2-3, 5-6	OFF	(ON) 1-2, 4-5	-311

NOTE: () denotes momentary action.



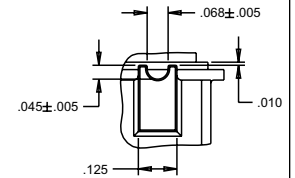
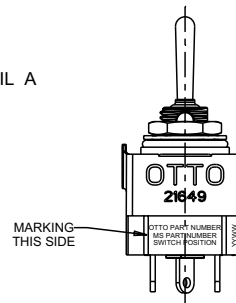
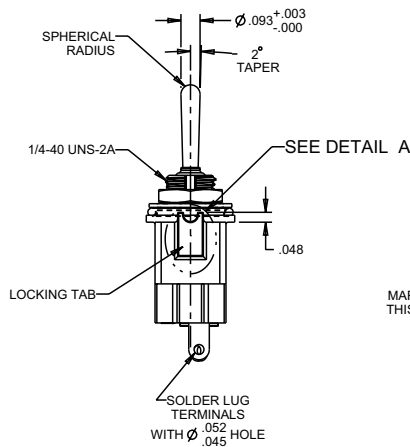
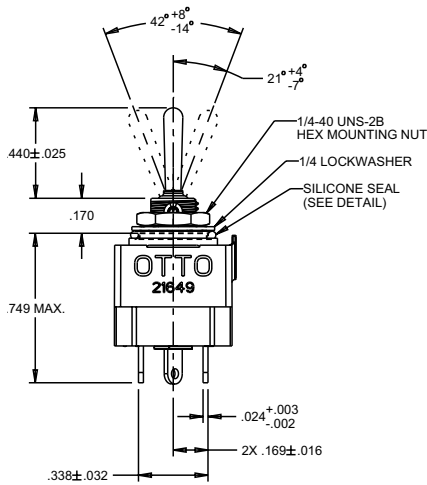
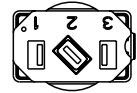
POSITIVE ACTION TOGGLE

TE-211 1/4-40 Bushing Single Pole MS24655

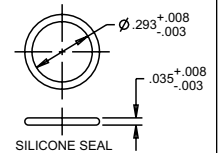


CIRCUITS MADE WITH LEVER IN THESE POSITIONS:			
Opposite Keyway	Center	Keyway	MS Dash Number
1. ON 2-3	OFF	ON 1-2	-211
2. ON 2-3	NONE	OFF	-221
3. ON 2-3	NONE	ON 1-2	-231
5. (ON) 2-3	OFF	(ON) 1-2	-271
6. ON 2-3	OFF	(ON) 1-2	-311

NOTE: () denotes momentary action.

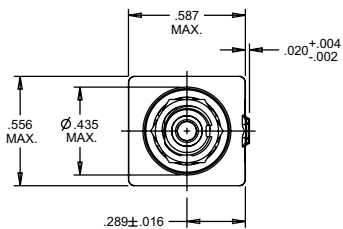


DETAIL A



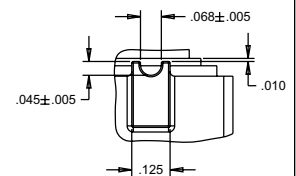
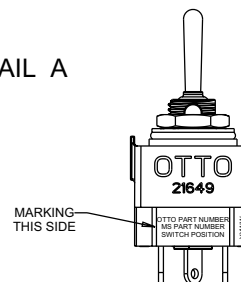
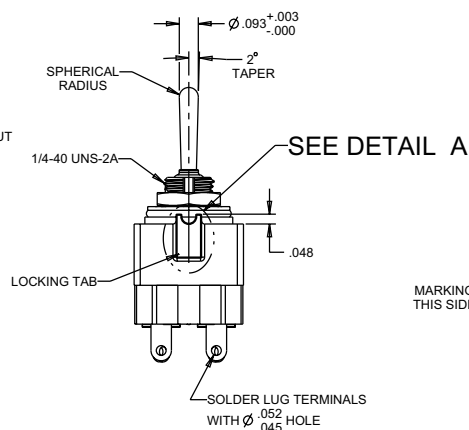
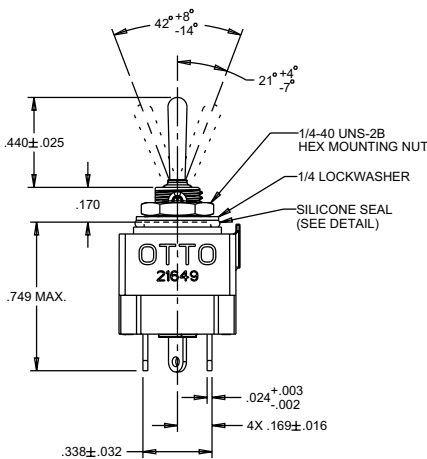
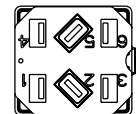
SILICONE SEAL

TE-212 1/4-40 Double Pole MS24656

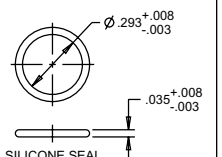


CIRCUITS MADE WITH LEVER IN THESE POSITIONS:			
Opposite Keyway	Center	Keyway	MS Dash Number
1. ON 2-3, 5-6	OFF	ON 1-2, 4-5	-211
2. ON 2-3, 5-6	NONE	OFF	-221
3. ON 2-3, 5-6	NONE	ON 1-2, 4-5	-231
5. (ON) 2-3, 5-6	OFF	(ON) 1-2, 4-5	-271
6. ON 2-3, 5-6	OFF	(ON) 1-2, 4-5	-311

NOTE: () denotes momentary action.



DETAIL A



SILICONE SEAL