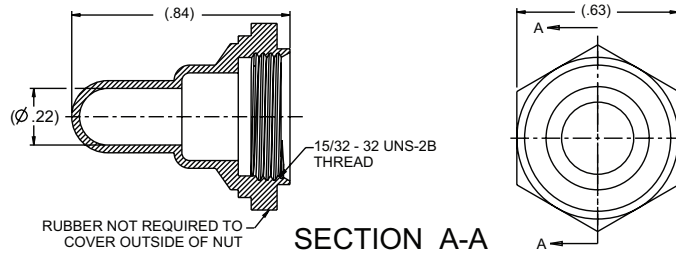


BOOTS FOR PUSHBUTTONS AND, TOGGLE SWITCHES

C740191

T9 Toggle Boot with 15/32" Thread

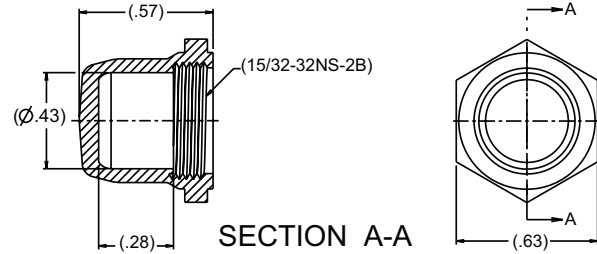
Boot: Black Silicone Rubber
Nut: Brass, Nickel Plated



C740144

P4-4 Switch Boot with Threaded Insert

Boot: Black Silicone Rubber
Insert: Brass, Nickel Plated



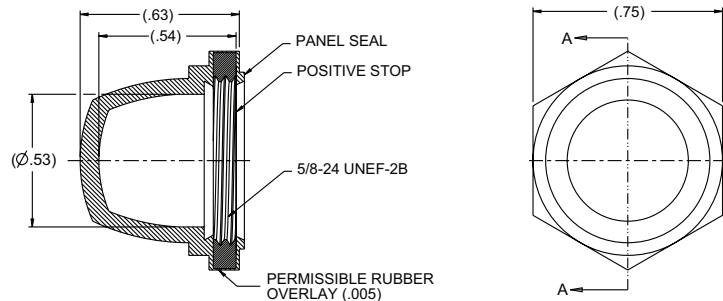
C700179

P3-6 Switch Boot

MIL-DTL-5423/7 Type B, Style 2, Size 4

Material: Silicone Rubber

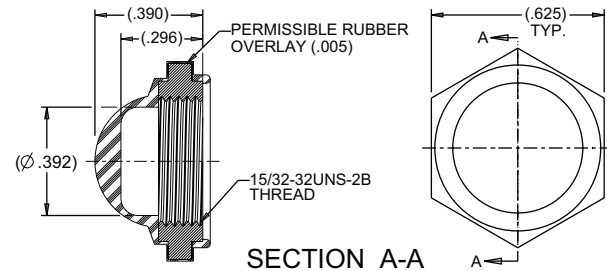
C700179-2S = Black
C700179-4S = Yellow
C700179-8S = Gray



C701211

P7-6 Pushbutton Boot Hex Nut

Material: Black Silicone
Thread: 15/32"

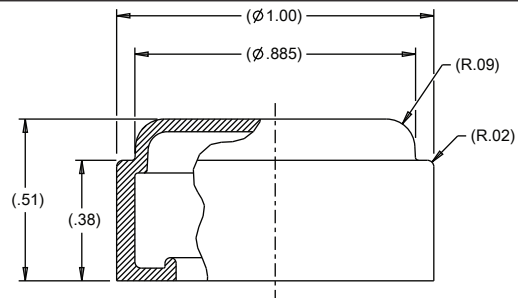


C405192-025

Boot Primarily Intended for Custom P3's and P8's with a .875" Case Diameter

Boot: Clear Silicone Rubber

Bagged in Lots of 25



P7/P9 Sealing Boots

For Raised Dome

C402611-1-50 Clear

C402611-2-50 Black

For Flush Dome

C402599-1-50 Clear

C402599-2-50 Black

Material: Silicone

