

CONNECTORS FOR SWITCH ASSEMBLY

## Connectors for K1 Rockers and T71 Toggles

### K1 AND T71 CONNECTOR PART NUMBER CODE

C405041 -

XX

XXXX

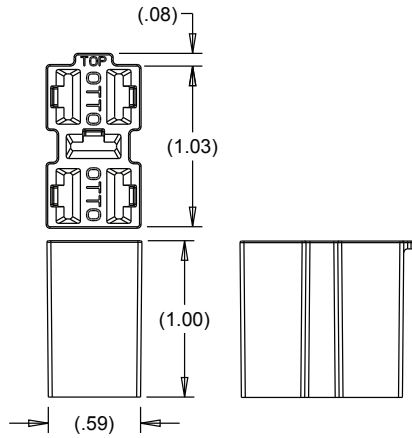
**Connector Color**

- 01. Red
- 02. Black
- 03. Orange\*
- 04. Yellow\*
- 05. Green\*
- 06. Blue\*
- 07. Violet\*
- 08. Gray\*
- 09. White

\* Contact Factory

**Packaging Quantity**

- 0025 - 25 Pcs per Package
- 0050 - 50 Pcs per Package
- 0100 - 100 Pcs per Package



## Connectors for K2 & K4 Rockers and T7 Toggles

### K2 AND K4 AND T7 CONNECTOR PART NUMBER CODE

C801765 -

XX

XXXX

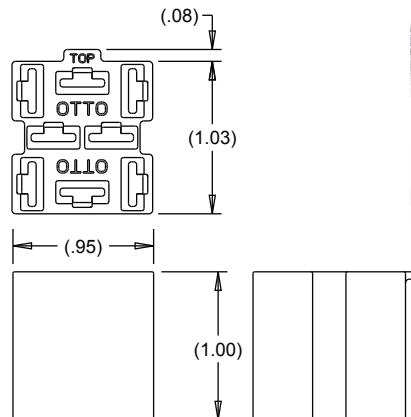
**Connector Color**

- 01. Red
- 02. Black
- 03. Orange\*
- 04. Yellow\*
- 05. Green\*
- 06. Blue\*
- 07. Violet\*
- 08. Gray\*
- 09. White

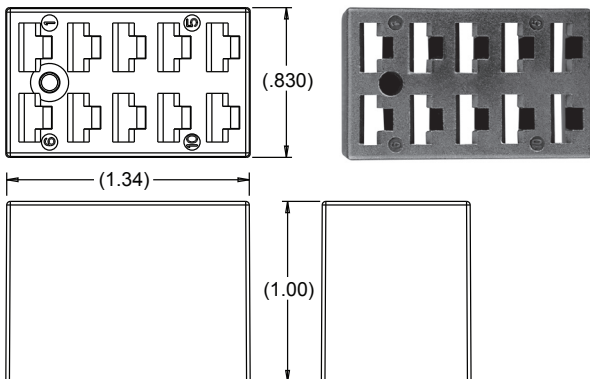
\* Contact Factory

**Packaging Quantity**

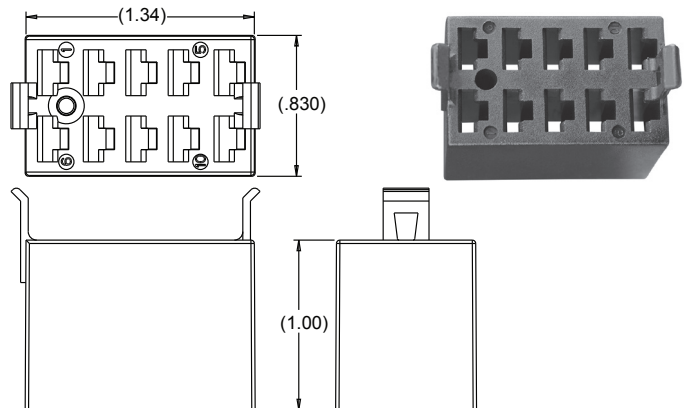
- 0025 - 25 Pcs per Package
- 0050 - 50 Pcs per Package
- 0100 - 100 Pcs per Package



## Connectors for K3 & K5 Rockers



C801775-2A (Without Latch)



C801775-2B (With Latch)