

SEALED BASIC SWITCH WITH LEVERS

B3S-5
SEALED BASIC SWITCHES

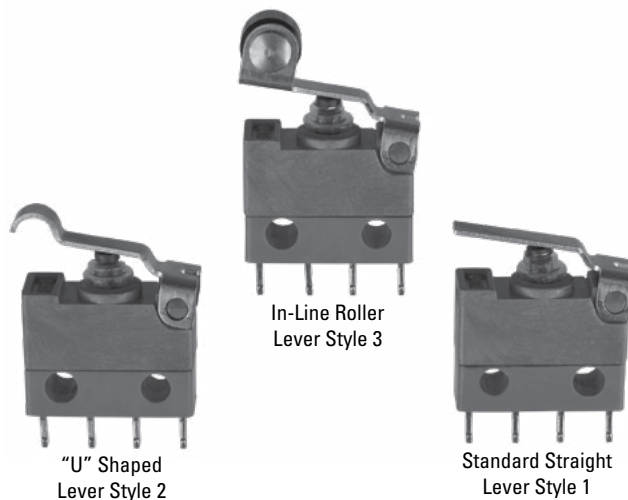
SEALED, DOUBLE BREAK, SNAP-ACTION, SUBMINIATURE, INTEGRAL LEVERS

The B3S-5 sealed, subminiature basic switch is made with an integral actuating lever, combining the switch and actuator into one assembly. Sealed to IP68S, the snap-action switch is tested to 1 million cycles at logic level, offering reliable operation in demanding applications and precision in terms of accuracy and repeatability.

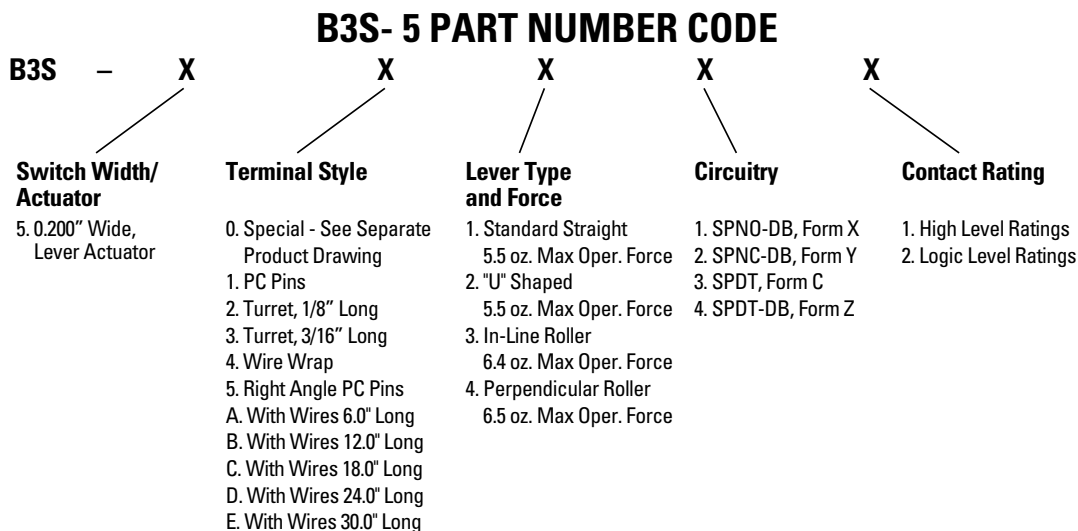
The B3S-5 subminiature switch is designed for use in places where space is limited, including internally within toggle, pushbutton and limit switches. It works well in the aerospace, industrial and material handling markets for applications such as conveyor belts, forklifts, ON/OFF switches, door latching mechanisms, fire suppression systems, and timing devices.

Features:

- **Integral Lever Actuators**
- **Sealed to IP68S**
- **Double break circuit**
- **Logic level switching option tested to 1 million electrical cycles**
- **0.200" switch width**
- **Choice of 11 standard terminal styles or wire leads**
- **Momentary action**
- **RoHS compliant**



B3S-5 Standard Characteristics/Ratings:			
ELECTRICAL RATINGS: Sea Level @ 28VDC			
Rating	Load	Current	Life Cycles
High Level N.C. or N.O. Form X or Y	Resistive	8A	50,000
High Level SPDT Form C or Z	Resistive	5A	50,000
Logic Level @ 5VDC	Resistive	10mA	1,000,000
DWV	1000Vrms		
Mechanical Life: 1,000,000 cycles			
Seal: IP68S			
Operating Temp Range: -40°C to +85°C			
Operating Force: See Part Number			
MATERIALS:			
Cover:		Blue Thermoplastic	
Case:		Blue Thermoset	
Boot:		Silicone Rubber	



SEALED, DOUBLE BREAK, SNAP-ACTION, SUBMINIATURE, INTEGRAL LEVERS

BASIC SWITCH DIMENSIONS (APPLIES TO ALL SWITCHES IN THIS DRAWING)

TERMINAL NO.	WIRE COLOR
1	BROWN
2	YELLOW
3	RED
4	BLUE

WIRE LENGTH CODE	DIM. "X"	DIM. "Y"
A	6.00±.38 [152.4±9.7]	6.09±.38 [154.7±9.7]
B	12.00±.50 [304.8±12.7]	12.09±.50 [307.1±12.7]
C	18.00±.50 [457.2±12.7]	18.09±.50 [459.5±12.7]
D	24.00±.50 [609.6±12.7]	24.09±.50 [611.9±12.7]
E	30.00±.75 [762.0±19.05]	30.09±.75 [764.3±19.05]

24 AWG, NEMA HP3, TYPE E WIRES TYP

WIRE LENGTH FOR A, B, C, D, & E

<p>OPER. POINT: .378±.029 OVERTRAVEL: .010 MIN. MOVE. DIFF.: .038±.019</p> <p>STANDARD STRAIGHT LEVER (LEVER TYPE OPTION 1)</p>	<p>OPER. POINT: .448±.025 OVERTRAVEL: .010 MIN. MOVE. DIFF.: .033±.017</p> <p>"U" SHAPED LEVER (LEVER TYPE OPTION 2)</p>	<p>OPER. POINT: .585±.030 OVERTRAVEL: .010 MIN. MOVE. DIFF.: .036±.020</p> <p>IN-LINE ROLLER LEVER (LEVER TYPE OPTION 3)</p>	<p>OPER. POINT: .609±.029 OVERTRAVEL: .010 MIN. MOVE. DIFF.: .034±.019</p> <p>PERPENDICULAR ROLLER LEVER (LEVER TYPE OPTION 4)</p>
---	--	--	--

<p>CIRCUIT STYLE 1 SPNO-DB, FORM X</p>	<p>CIRCUIT STYLE 2 SPNC-DB, FORM Y</p>	<p>CIRCUIT STYLE 3 SPDT, FORM C</p>	<p>CIRCUIT STYLE 4 SPDT-DB, FORM Z</p>
--	--	---	--