

Data Sheet for Article: YMU78701--

Socket, screw connection, 8 pole, 12A for 2 pole MU relays

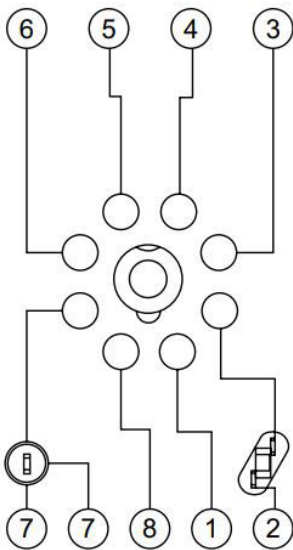
Compatible with YMR78701--



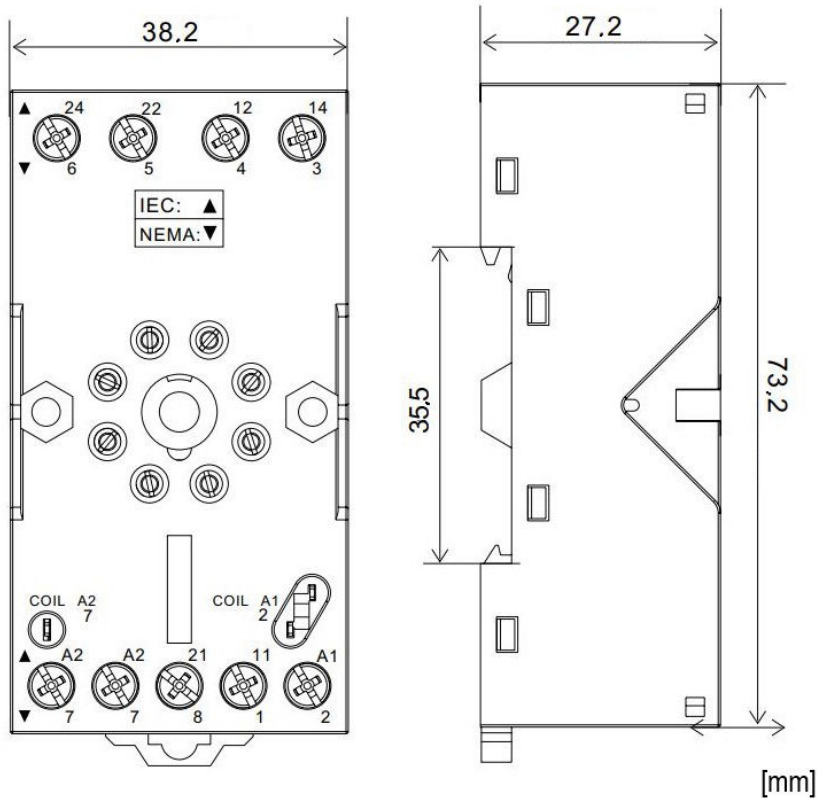
Technical Data

| | |
|-------------------------------|-------|
| Net weight (kg) | 0,05 |
| Min. ambient temperature (°C) | -40 |
| Max. ambient temperature (°C) | 85 |
| Contact current (A) | 12 |
| Rated voltage | 300V |
| Rated current (A) | 12A |
| Dielectric strength | 2500V |
| Max. tightening torque (Nm) | 1Nm |

Circuit diagram: Socket, screw connection, 8 pole, 12A for 2 pole MU relays



Dimensioned drawing: Socket, screw connection, 8 pole, 12A for 2 pole MU relays



Article Table

| DESCRIPTION | Order No. |
|--|-----------|
| Socket, screw connection, 8 pole, 12A for 2 pole MU relays Compatible with YMR78701-- | YMU78701 |
| Optional Accessories | |
| LED module 6-24VAC/DC for socket YMU S-Relay | YMUL0024 |
| Protection diode module A1+, 6-250VDC for socket YMU S-Relay | YMUT00A0 |
| RC-Network module 110/240VAC for socket YMU S-Relay | YMUU0730 |
| Metal retaining clip for MU relay S-Relay, Serie MU | YMU28800 |
| Marking tag for YMU socket S-Relay, Serie MU | YMU2000 |