

Relay Package SNR

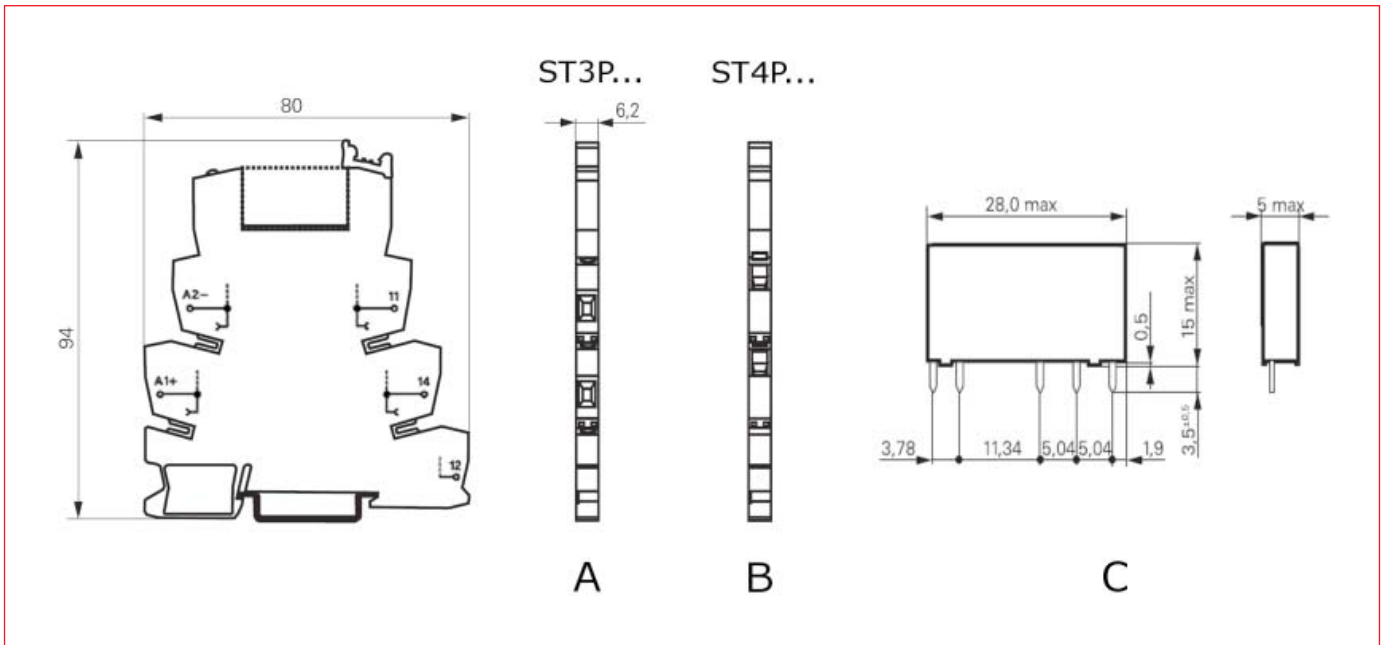


ST3P3LC4

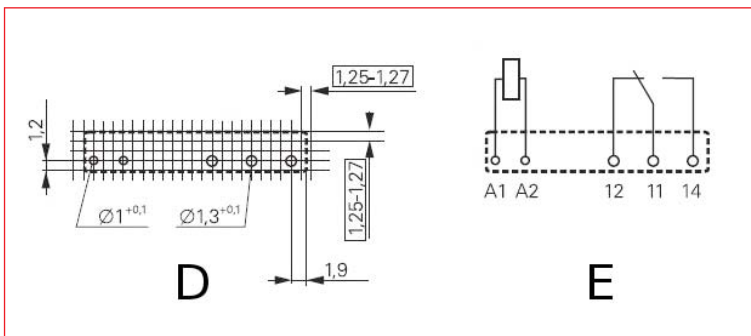
Schrack-Info

- Relay package consisting of a relay and a DIN rail socket
- 1 CO 6 A rated current
- Safe disconnection compliant with VDE0160 in combination with socket YRT78626
- Module width only 6.2 mm
- Narrow component width allows high component density and tight-packed functionality on the DIN rail
- Complies with the 2002/95/EC RoHS Directive
- Protection diode

Dimensions (mm)



Circuit Diagram

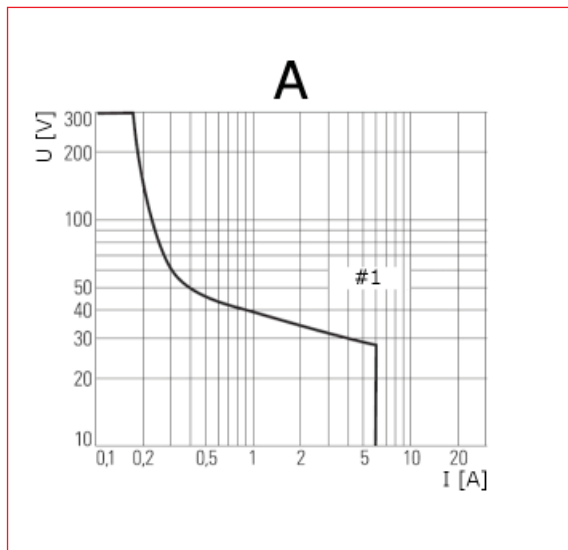


Dimensions & Circuit Diagram

A	Screw terminals
B	Spring clamp terminals
C	Dimensions SNR relay
D	Bottom view on solder pins
E	1 CO

Relay Package SNR

Rated Breaking Capacity



Rated Breaking Capacity

A	Max. DC rated breaking capacity
#1	Resistive load
U	DC voltage in [V]
I	DC current in [A]

Technical Data

CONTACT DATA		6 A
Number of contact and type		1 CO
Contact style		Single contact
Type of disconnection		Micro-switch
Rated current		6 A
Rated voltage/ max. switching voltage AC		240 / 400 V~
Max. rated breaking capacity AC		1500 VA
Limiting making capacity, max 4 s, duty factor 10 %		10 A
Contact material		AgSnO ₂ , AgSnO ₂ hard gold plated
INPUT DATA		
Rated voltage		12, 24 V DC, 115, 230 V AC / V DC (type 115, 230 V AC / V DC mit 60 V DC relay)
Rated power	DC coil	12 V DC 184 mW, 24 V DC 220 mW, 115 V AC 402 mVA, 230 V AC 736 mVA
Operation range according to IEC 61810		2
GENERAL DATA		
Ambient temperature		-40...+55 °C
Degree of protection DIN 40050		IP20
Terminals		Screw terminals/ spring clamp terminals
Terminal screw torque according to IEC 61984		0.5 Nm
Max.		0.6 Nm
Wire cross section	Solid wire	0.14... 2.5 mm ²
	Stranded wire	0.14... 2.5 mm ²
	With ferrule (DIN 46228/1)	0.14... 2.5 mm ²

DESCRIPTION	AVAILABLE	ORDER NO.
Relay Package - Screw Terminal		
12V-DC, 1 CO, 6A with socket		ST3P3LB2
24V-DC, 1 CO, 6A with socket		ST3P3LC4
24V-DC, 1 CO, 6A with socket		ST3P2LC4
230V-AC/DC, 1 CO, 6A with socket		ST3P3TP0
Relay Package - Spring Clamp Terminal		
24V-DC, 1 CO, 6A with socket		ST4P3LC4
230V-AC/DC, 1 CO, 6A with socket		ST4P3TP0
Accessories		
DIN rail mounted plug-in socket for SNR relays, 24V-DC, 6A, incl. protection diode, with screw terminals		ST3FLC4
SNR jumper bar, red, 500mm		ST37001
SNR jumper bar, blue, 500mm		ST37002
SNR jumper bar, grey, 500mm		ST37003
Marking plate, 1 plate= 100pcs.		ST37040



Order no. blue: on stock, usually ready for delivery on the day of order