

DC Fuse disconnectors Ex9FP30H for PV

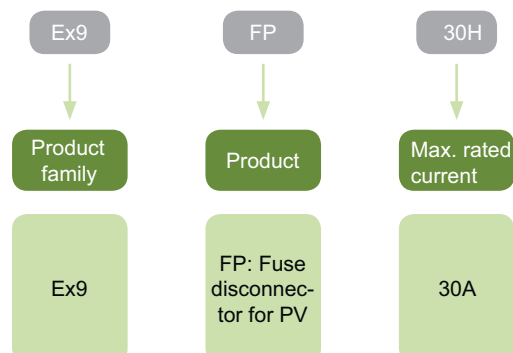


- DC Fuse disconnectors for PV systems
- Rated short-circuit breaking capacity I_{cn} with appropriate fuse-link up to 20 kA
- Rated current up to 30 A
- Fuse-links of size 10 x 85 mm

Rated operational voltage 1500 V DC

Fuse disconnectors Ex9FP30H for photovoltaic strings protection against. Suitable for cylindrical fuse-links of size 10 x 85 mm.

Type Key



Certification marks



DC Fuse disconnectors Ex9FP30H for PV

1-pole



Poles	Article No.	Type	Packing
1	850036	Ex9FP30H	1/12/144

Fuse-link



Dimension(mm)	Rated current(A)	Article No.	Type
10x85	2	850037	Ex9FP30 2H
10x85	4	850038	Ex9FP30 4H
10x85	6	850039	Ex9FP30 6H
10x85	8	850040	Ex9FP30 8H
10x85	10	850041	Ex9FP30 10H
10x85	12	850042	Ex9FP30 12H
10x85	15	850043	Ex9FP30 15H
10x85	16	850044	Ex9FP30 16H
10x85	20	850045	Ex9FP30 20H
10x85	25	850046	Ex9FP30 25H
10x85	30	850047	Ex9FP30 30H

Parameters DC Fuse Disconnectors Ex9FP30H

General parameters

Protecting for overload and short-circuit current in PV applications

Electrical parameters

Tested according to	IEC/EN 60947-3
Rated op. voltage	1500 V DC
Rated current I_n DC-20B 1000 V DC	up to 30 A
Number of poles	1
Rated short-time breaking capacity	20 kA
Maximum power loss of fuse link	≤ 9W

Mechanical parameters

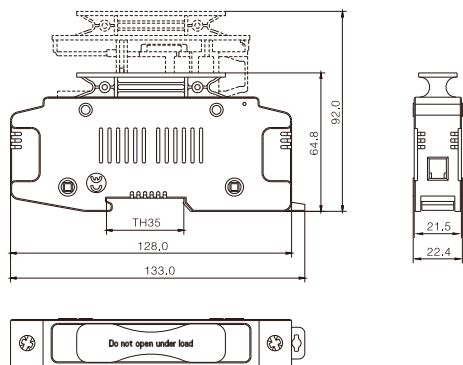
Device width	22.4 mm (per pole)
Device height	128 mm (133 mm including rail clip)
Frame size	64.8 mm
Mounting	easy fastening onto 35 mm device rail (DIN)
Degree of protection	IP20
Terminal capacity	1 — 25 mm ²
Ambient temperature	-35 — +70 °C
Altitude	≤ 2000 m
Relative humidity	≤ 95 %
Resistance to humidity and heat	class 2
Pollution degree	3
Installation class	III
Fuse dimension	10 x 85 mm

Temperature Derating

I_n \ Ambient Temp	20°C	30°C	40°C	50°C	60°C	70°C	80°C
2A	2A	1.9A	1.85A	1.8A	1.7A	1.6A	1.4A
4A	4A	3.8A	3.7A	3.5A	3.4A	3A	2.5A
6A	6A	5.8A	5.6A	5.5A	5.4	4.9A	4.5A
8A	8A	7.8A	7.7A	7.5A	7.4A	7A	6.5A
10A	10A	9.8A	9.7A	9.6A	9.5A	9A	8A
12A	12A	11.8A	11.6A	11.5A	11A	10.6A	9.6A
15A	15A	14.7A	14.5A	14.2A	13.7A	13A	12A
16A	16A	15.7A	15.4A	15A	14.6A	13.8A	12.8A
20A	20A	19.7A	19.5A	19A	18.4A	17.5A	16A
25A	25A	24.5A	24A	23.5A	22.5A	21.5A	20A
30A	30A	29.5A	29A	28.5A	27.5A	26A	25A

Parameters DC Fuse Disconnectors Ex9FP30H

Dimensions



Ordering data p. 2