

TC SWITCH MODULE

The TC is a self contained, sealed switch module with up to 5 positions. It can be utilized in numerous applications that require a compact switch module and long life.

At slightly over an inch in diameter, it can be used in a grip, front panel, or hand held device, just to name a few applications. It is available in either a top mount or rear mount.

The advantage of the TC switch module is that it incorporates keypad functionality within a very small footprint. Standard or custom legends are available and can be LED backlit.

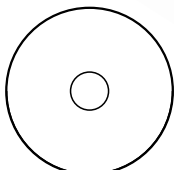
Standard termination options include FPC, flying leads, ribbon cable (with or without AMP connector) and FFC (flexible flat cable). Tested to three million cycles, the TC switch module has an operating temperature range of -40°C to 85°C and it is sealed to IP68S.

The TC can be used in panel or grip applications and is especially useful in cursor control or data entry applications. Applications include construction, agriculture, industrial, material handling and medical.

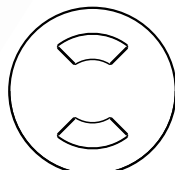


| TC Standard Characteristics/Ratings: | |
|--------------------------------------|----------------------|
| ELECTRICAL RATINGS: | 1-28 VDC @ Sea Level |
| Load: | 10-100mA Resistive |
| Electrical Life: | 3,000,000 cycles |
| LED Voltage Rating: | 2.0 VDC |
| Mechanical Life: | 3,000,000 cycles |
| Seal: | IP68S |
| Operating Temp Range: | -40°C to +85°C |
| Operating Force: | 1.0 +/- .5 lbs. |
| Pushout Force: | 5 lbs. min. |
| MATERIALS: | |
| Housing: | PBT |
| Keypad: | Silicone Rubber |
| Terminal Hardware: | None provided |
| Mounting Hardware: | VHB tape |

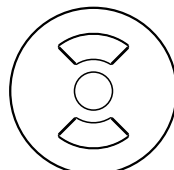
TC Switch Module Keypad Configurations



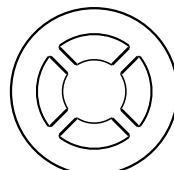
TC-11xxxxx



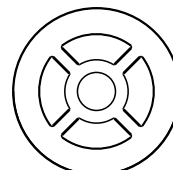
TC-21xxxxx



TC-31xxxxx

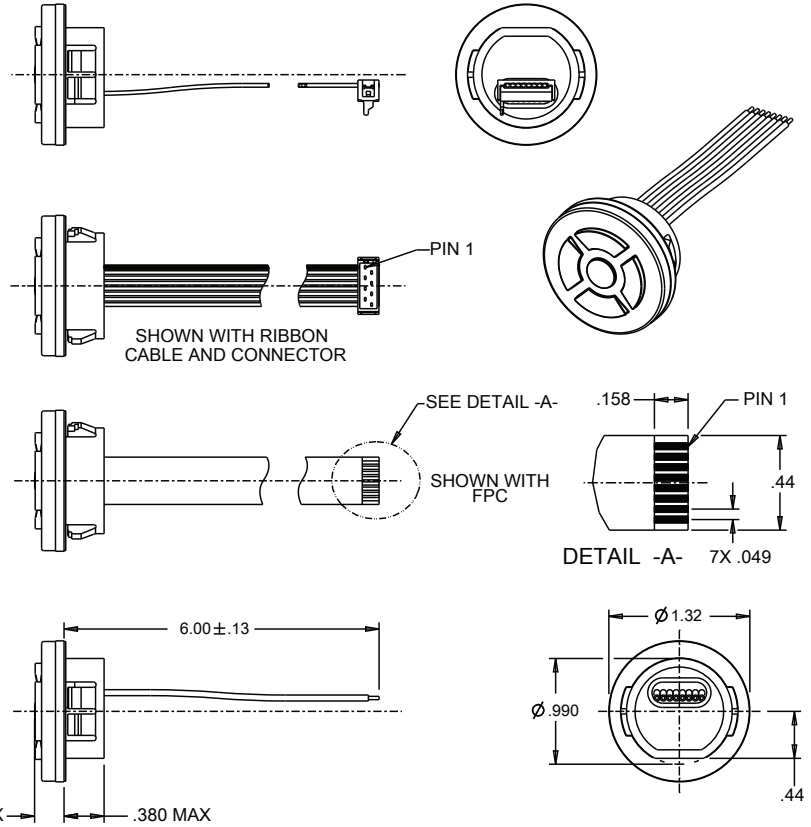
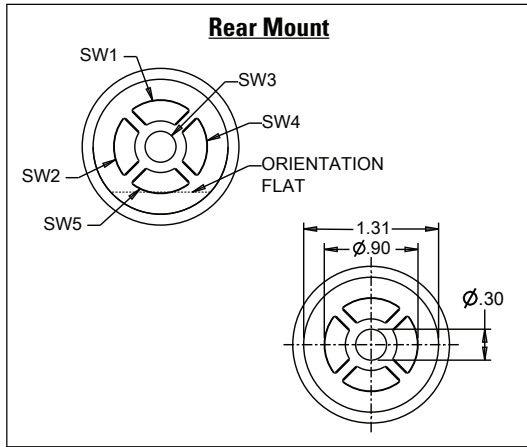
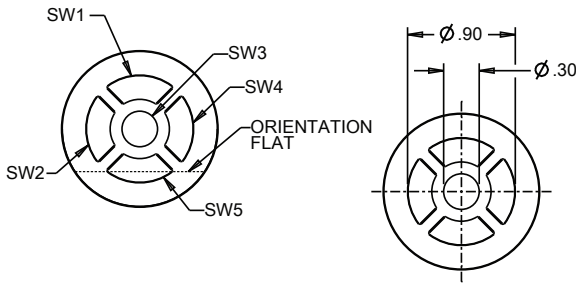


TC-41xxxxx

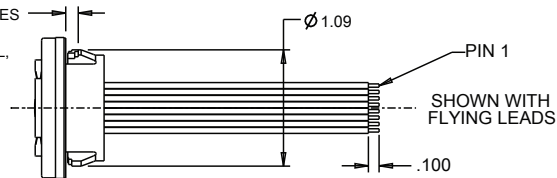


TC-51xxxxx

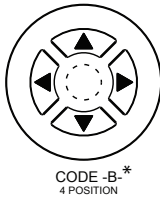
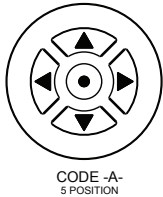
TC-51xxxxx Top Mount, 5 Position Module



PANEL THICKNESS: ACCOMODATES
PANEL THICKNESSES FROM
.025 TO .100 WITH VHB TAPE SEAL,
AND FROM .025 TO .125 WITHOUT
VHB SEAL TAPE.



Standard Legend Configurations



*Available with TC-4
and TC-5 versions

Schematic with optional LED circuit shown

