

# FT Series Wall Mount Enclosures

Single-Door, IP66, RAL7035 Outdoor



## Construction

- Door: 1.5mm - 1.8mm Mild Steel
- Body: 1.2mm Mild Steel
- 2mm galvanized steel mounting panel
- High quality automatic seamless foam-in-place gasket
- Seams continuously welded
- All continuous welded seams are finished smooth
- Door opening 120°
- Quarter-turn lock
- Heavy-duty hinge
- Grounding studs on body and door

## Finish

- RAL 7035 outdoor power coating
- Mounting plate in galvanized finish



## Standards

### FT Series, single-door

- IP66, IEC 60529
- RoHS Compliant
- REACH Compliant

CE

## Custom Enclosures

Nonstone offers high quality custom enclosures and modification services at competitive price.

For information, please contact your NonStone representative.

- Other finish color and textures
- Cutouts and special holes in body and doors.
- Custom doors
- Custom body
- Special or custom accessories



## FT Single-Door

NO.					出線孔
1	FT 202015	200	200	150	ax1
2	FT 302015	300	200	150	ax1
3	FT 302515	300	250	150	ax1
4	FT 302520	300	250	200	ax1
5	FT 303015	300	300	150	bx1
6	FT 303020	300	300	200	bx1
7	FT 304015	300	400	150	ax2
8	FT 304020	300	400	200	cx1
9	FT 403015	400	300	150	bx1
10	FT 403020	400	300	200	bx1
11	FT 404020	400	400	200	cx1
12	FT 406020	400	600	200	dx1
13	FT 406025	400	600	250	dx1
14	FT 406030	400	600	300	dx1
15	FT 503015	500	300	150	bx1
16	FT 503020	500	300	200	bx1
17	FT 504015	500	400	150	ax2
18	FT 504020	500	400	200	cx1
19	FT 504025	500	400	250	cx1
20	FT 505020	500	500	200	cx1
21	FT 505025	500	500	250	cx1
22	FT 507020	500	700	200	dx1
23	FT 507025	500	700	250	dx1
24	FT 604020	600	400	200	cx1
25	FT 604025	600	400	250	cx1
26	FT 604030	600	400	300	cx1

## Gland Plate Dimensions

	A(mm)	B(mm)
A	130	60
B	230	60
C	330	120
D	530	120

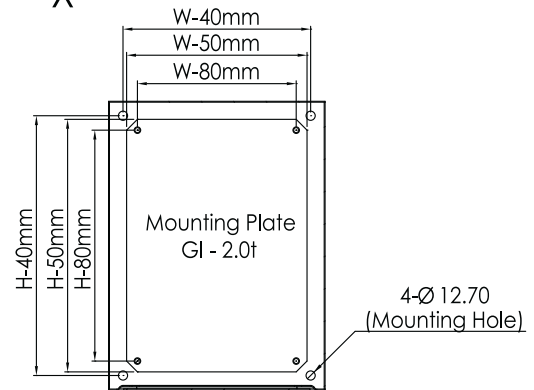
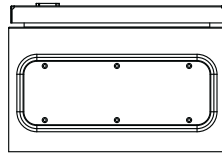
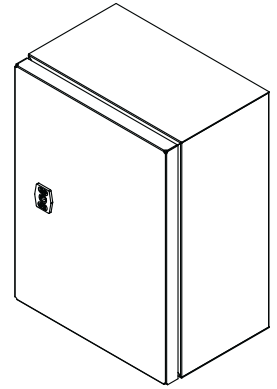
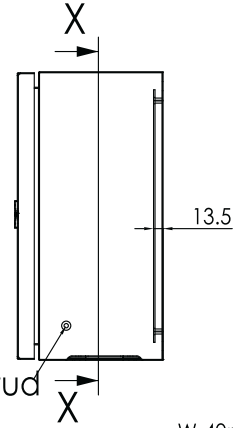
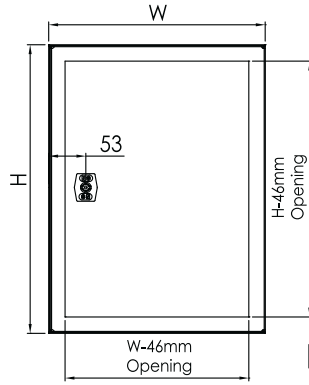
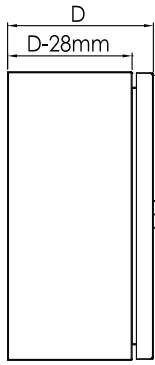
NO.	Catalog Number	Dimensions			出線孔
		H(mm)	W(mm)	D(mm)	
27	FT 605020	600	500	200	cx1
28	FT 605025	600	500	250	cx1
29	FT 606020	600	600	200	dx1
30	FT 606025	600	600	250	dx1
31	FT 606030	600	600	300	dx1
32	FT 705020	700	500	200	cx1
33	FT 705025	700	500	250	cx1
34	FT 806020	800	600	200	dx1
35	FT 806025	800	600	250	dx1
36	FT 806030	800	600	300	dx1
37	FT 808025	800	800	250	cx2
38	FT 808030	800	800	300	cx2
39	FT 1006025	1000	600	250	dx1
40	FT 1006030	1000	600	300	dx1
41	FT 1006040	1000	600	400	dx1
42	FT 1008025	1000	800	250	cx2
43	FT 1008030	1000	800	300	cx2
44	FT 1206030	1200	600	300	dx1
45	FT 1206040	1200	600	400	dx1
46	FT 1208030	1200	800	300	cx2

NO. H(mm) W(mm) D(mm)

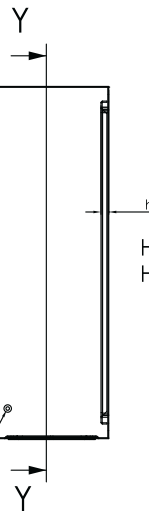
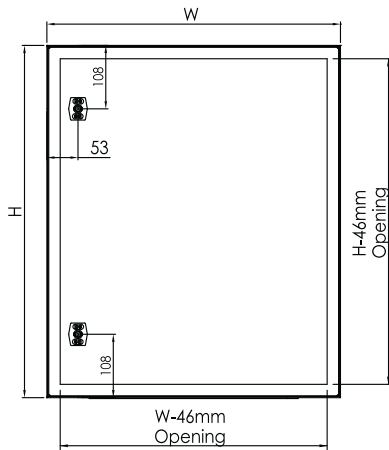
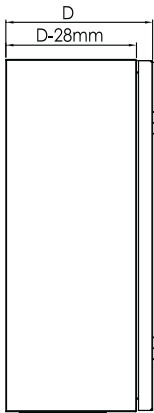
47 SFT Custom Dimensions

Custom sizes, cut-outs available on request.

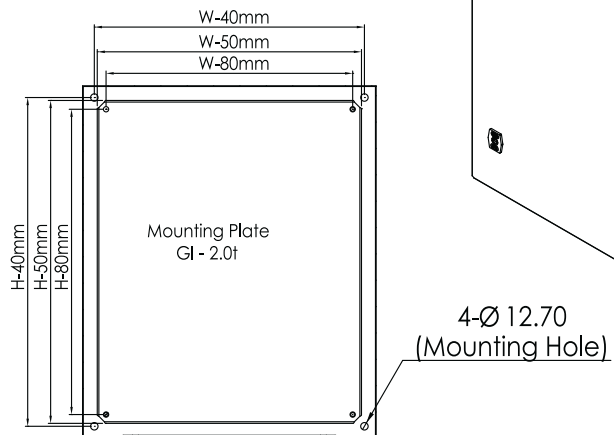
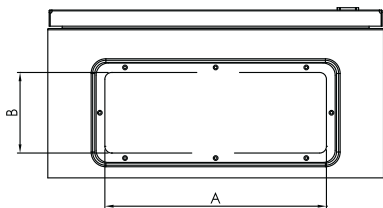
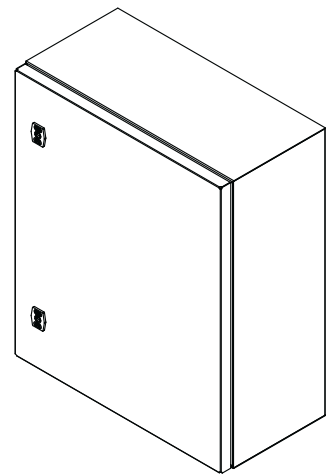
**NS**



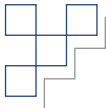
Section View X-X



H & W < 1000mm, h = 13.5mm  
H or W ≥ 1000mm, h = 26 mm



Section View Y-Y



Notes:

