

SPECIFICATIONS:

BUSHING: Ø22mm.
 CONTACT RATING: 2A @ 48VDC or 125VAC.
 ELECTRICAL LIFE: 10,000cycles at full load.
 CONTACT RESISTANCE: 10m-ohms max. initial @2-4VDC.
 INSULATION RESISTANCE: 1,000M-ohms min. @ 500VDC.
 DIELECTRIC STRENGTH: 3,000VAC for 1 minute.
 OPERATING TEMPERATURE: -20°C ~ +55°C.

MATERIALS:

BUSHING & BUTTON: See Bushing & Button Option.
 CONTACT: Silver alloy.
 BODY & BASE: Glass filled nylon 6/6 (UL 94V-0)
 TERMINAL: Nickel plated brass.
 NUT: Nickel plated brass.

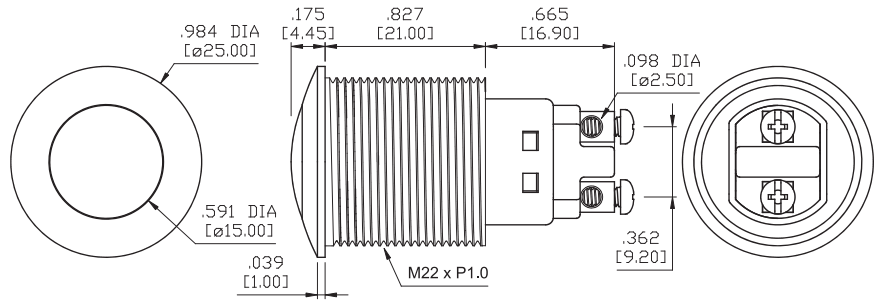
Specifications and Dimensions subject to change

SPST



Model No.	Type	
01	OFF	MOM

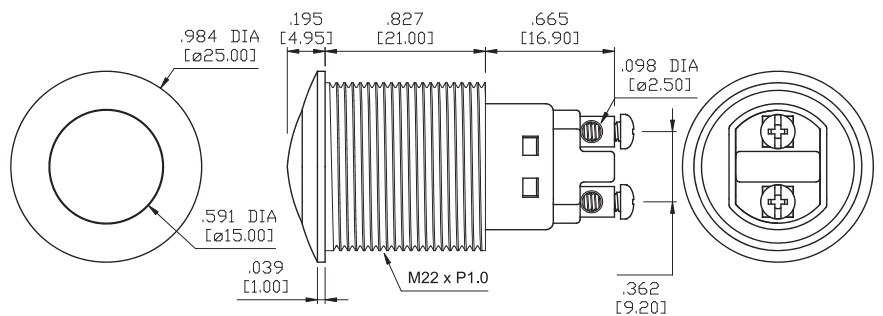
Schematic



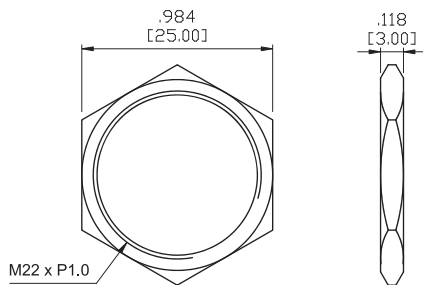
SPST IP65 Front panel protection

Model No.	Type	
01	OFF	MOM

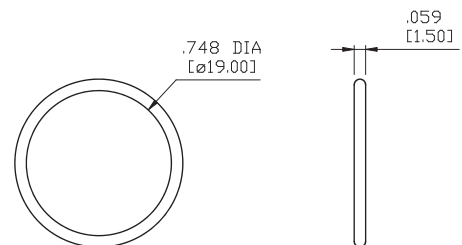
Schematic



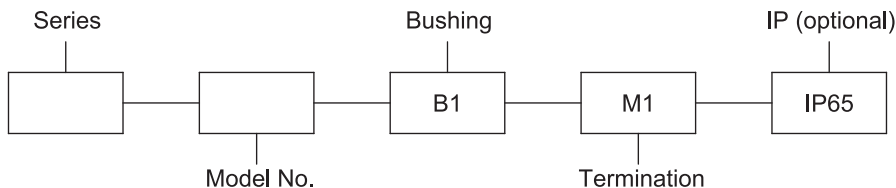
NUT



O-RING



HOW TO ORDER



SPECIFICATIONS:

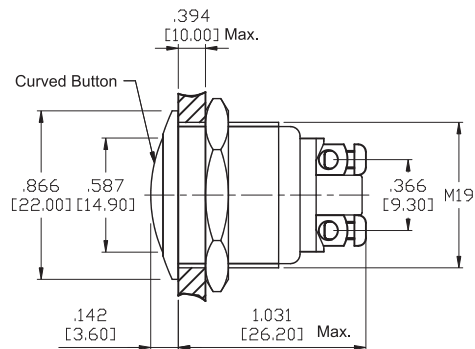
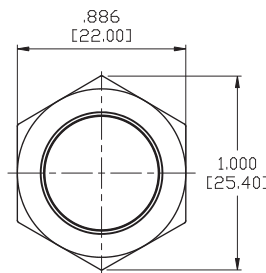
BUSHING: ϕ 19mm, ϕ 16mm, ϕ 12mm
 CONTACT RATING: 2A @ 36VDC.
 ELECTRICAL LIFE: 200,000cycles at full load.
 CONTACT RESISTANCE: 50m-ohms max. initial @2-4VDC.
 INSULATION RESISTANCE: 1,000M-ohms min. @ 500VDC.
 DIELECTRIC STRENGTH: 2,000V RMS 50~60Hz.
 IP CLASS: IP65 protection.
 TORQUE: 5~14Nm max. applied to nut.
 OPERATING FORCE: 5.5N max.
 OPERATING TEMPERATURE: -20°C~+55°C.

MATERIALS:

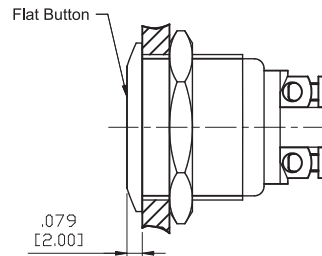
BUSHING: See Bushing Option.
 CONTACT: Silver alloy.
 BASE: PBT.
 NUT: Nickel plated brass.

Specifications and Dimensions subject to change

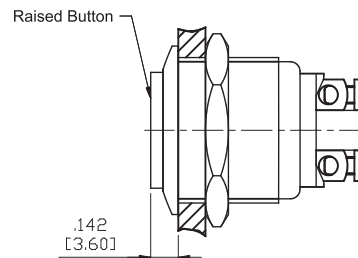
SPST ϕ 19mm, Solder Lug



Ex. P/N: AV01-B2-M1



Ex. P/N: AV01-B2-M1-F



Ex. P/N: AV01-B2-M1-R

Model No.	SPST Type	
01	OFF	MOM

Schematic



Toggle

Rocker

Slide

Pushbutton

AV

Rotary

Tact

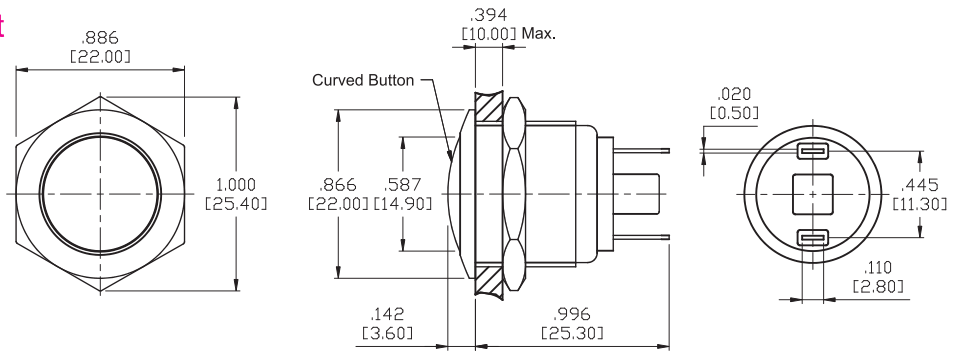
Touch Key

Miscellaneous

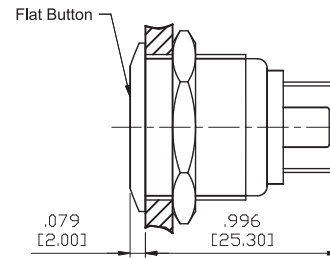
Series AV

Anti-Vandal Pushbutton Switches

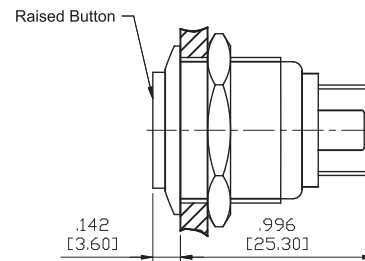
SPST ϕ 19mm, Quick Connect



Ex. P/N: AV01-B2-M3



Ex. P/N: AV01-B2-M3-F



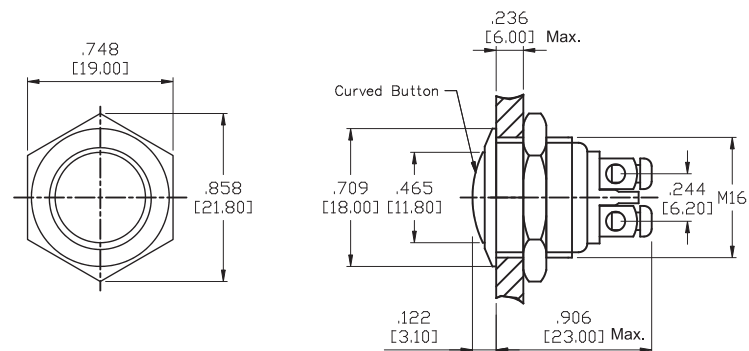
Ex. P/N: AV01-B2-M3-R

Model No.	SPST Type	
01	OFF	MOM

Schematic



SPST ϕ 16mm, Solder Lug

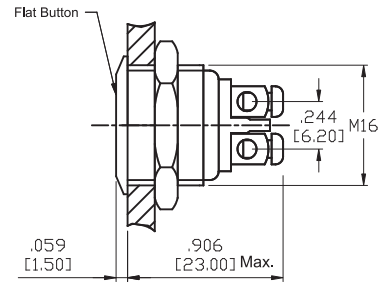
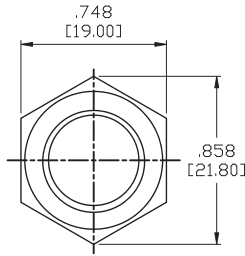


Ex. P/N: AV01-B3-M1

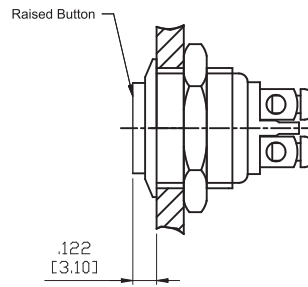
Series AV

Anti-Vandal Pushbutton Switches

SPST ϕ 16mm, Solder Lug



Ex. P/N: AV01-B3-M1-F



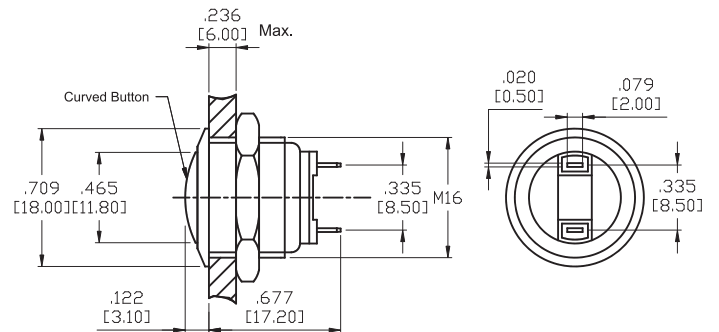
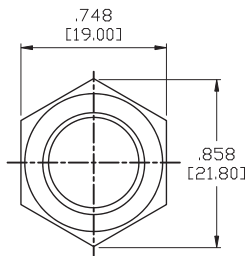
Ex. P/N: AV01-B3-M1-R

Model No.	SPST Type	
	01	OFF

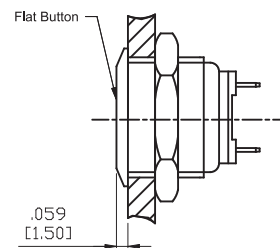
Schematic



SPST ϕ 16mm, Quick Connect



Ex. P/N: AV01-B3-M3



Ex. P/N: AV01-B3-M3-F

Model No.	SPST Type	
	01	OFF

Schematic



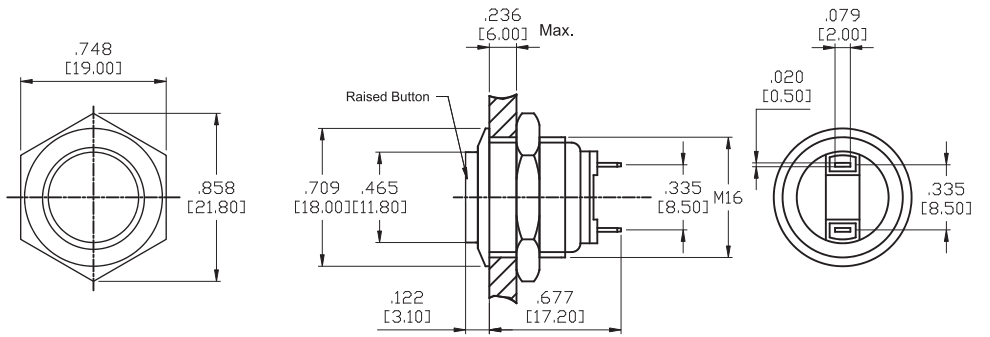
Toggle
Rocker
Slide
Pushbutton
AV

Rotary
Tact
Touch Key
Miscellaneous

Series AV

Anti-Vandal Pushbutton Switches

SPST \varnothing 16mm, Quick Connect



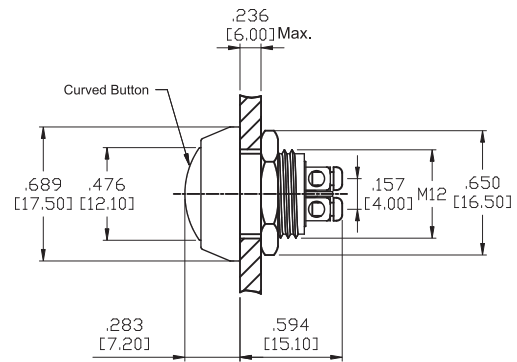
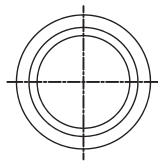
Ex. P/N: AV01-B3-M3-R

Model No.	SPST Type	
01	OFF	MOM

Schematic



SPST \varnothing 12mm, Solder Lug



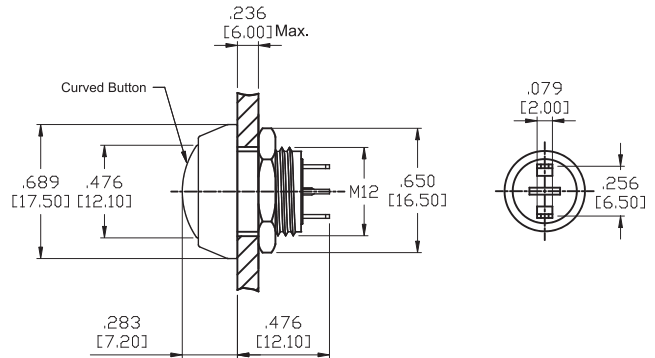
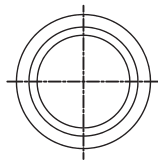
Ex. P/N: AV01-B4-M1

Model No.	SPST Type	
01	OFF	MOM

Schematic



SPST \varnothing 12mm, Quick Connect



Ex. P/N: AV01-B4-M3

Model No.	SPST Type	
01	OFF	MOM

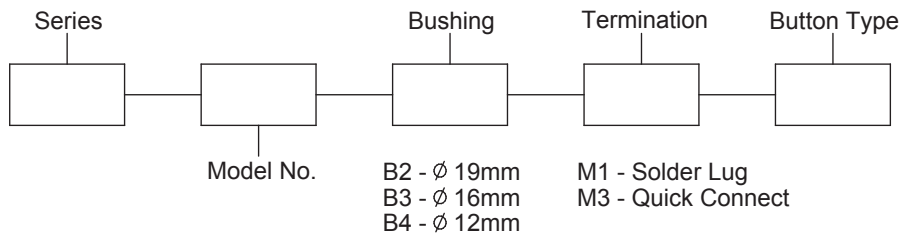
Schematic



BUSHING & BUTTON MATERIAL OPTIONS

Code	Bushing Size	Bushing & Button Material	MOQ
B2,B3,B4	∅ 19,16,12mm	Nickel plated brass with varnished polished	100 PCS
B21,B31,B41	∅ 19,16,12mm	Gold plated brass with varnished polished	500 PCS
B22,B32,B42	∅ 19,16,12mm	Stainless steel with varnished polished	100 PCS
B23,B33,B43	∅ 19,16,12mm	Al. alloy with black nickel plated	500 PCS

HOW TO ORDER



Toggle

Rocker

Slide

Pushbutton

AV

Rotary

Tact

Touch Key

Miscellaneous

SPECIFICATIONS:

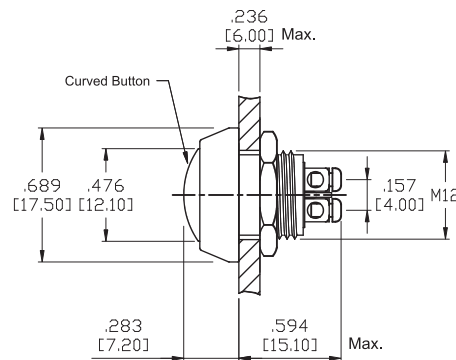
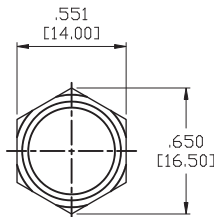
BUSHING: ϕ 12mm.
 CONTACT RATING: 2A @ 36VDC.
 ELECTRICAL LIFE: 200,000cycles at full load.
 CONTACT RESISTANCE: 50m-ohms max. initial @2-4VDC.
 INSULATION RESISTANCE: 1,000M-ohms min. @ 500VDC.
 DIELECTRIC STRENGTH: 2,000V RMS 50~60Hz.
 IP CLASS: IP65 protection.
 TORQUE: 5~14Nm max. applied to nut.
 OPERATING FORCE: 5.5N max.
 OPERATING TEMPERATURE: -20°C~+55°C.

MATERIALS:

BUSHING: Zinc alloy, black nickel plated.
 CONTACT: Silver alloy.
 BUTTON & BASE: PBT.
 NUT: Nickel plated brass.

Specifications and Dimensions subject to change

SPST ϕ 12mm, Solder Lug



Ex. P/N: AV01P-B4-M1-x

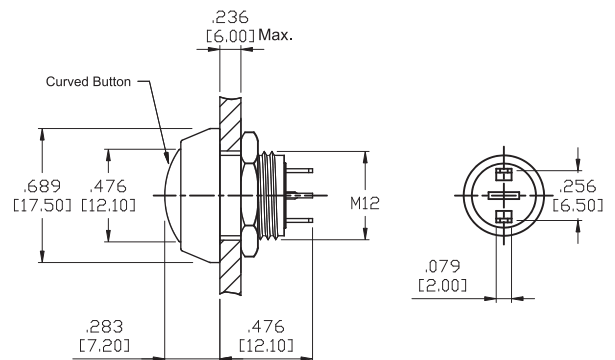
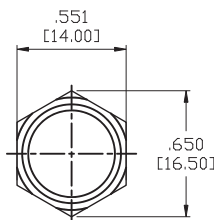
Replace "x" with button color

Model No.	SPST Type	
01	OFF	MOM

Schematic



SPST ϕ 12mm, Quick Connect



Ex. P/N: AV01P-B4-M3-x

Replace "x" with button color

Model No.	SPST Type	
01	OFF	MOM

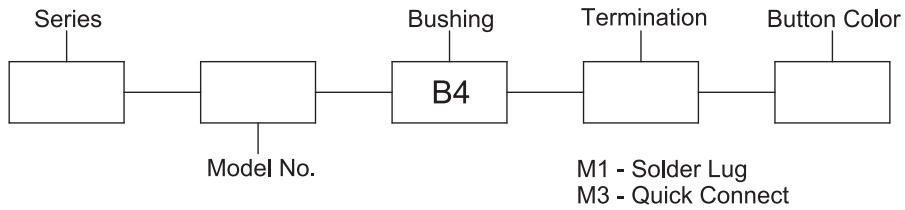
Schematic



BUTTON COLOR OPTIONS

Code	Button Color
R	Red
G	Green
Y	Yellow
O	Orange
B	Blue
W	White
K	Black

HOW TO ORDER



SPECIFICATIONS:

BUSHING: ϕ 30~16mm.

CONTACT RATING:

ϕ 16,19mm 0.5A @ 220~250VAC (Resistive & Inductive load)

ϕ 22,25,28,30mm 2A @ 220~250VAC (Inductive load)

3A @ 220~250VAC (Resistive load)

ELECTRICAL LIFE: 50,000cycles at full load.

CONTACT RESISTANCE: 50m-ohms max. initial @2-4VDC.

INSULATION RESISTANCE: 1,000M-ohms min. @ 500VDC.

DIELECTRIC STRENGTH: 2,000V RMS 50~60Hz.

IP CLASS: IP65 or IP67 front panel protection.

TORQUE: 5~14Nm max. applied to nut.

OPERATING FORCE: ϕ 30,28mm-7.5N max. ϕ 25mm-7N max. ϕ 22mm-5.5N max. ϕ 19mm-5N max. ϕ 16mm-4N max.

OPERATING TEMPERATURE: -20°C~+55°C.

MATERIALS:

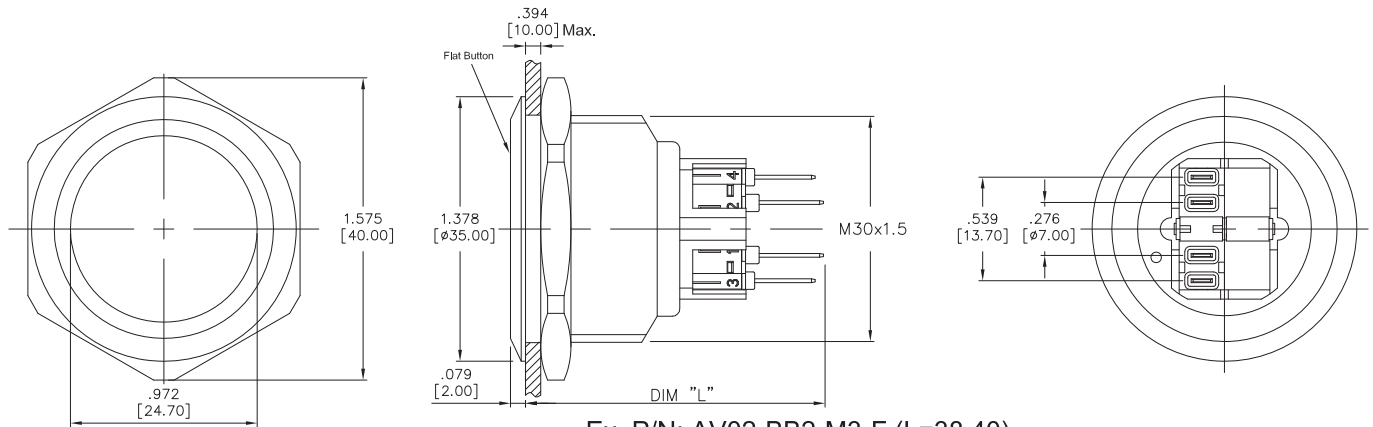
BUSHING: See Bushing Option.

CONTACT: Silver alloy.

BASE: PBT or PA.

NUT: Nickel plated brass.

Non-latching & Latching ϕ 30mm, Quick Connect

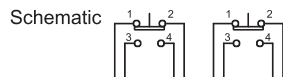
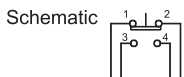


Ex. P/N: AV02-BB2-M3-F (L=38.40)

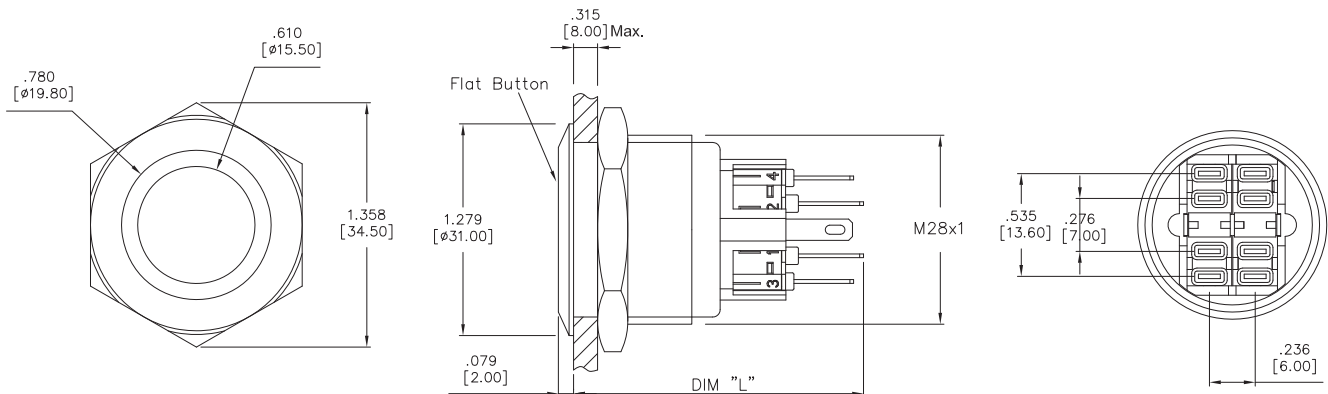
AV03-BB2-M3-F (L=40.80)

Model No.	SPDT Type	
02	ON	MOM
03	ON	ON

Model No.	DPDT Type	
12	ON	MOM
13	ON	ON



Non-latching & Latching ϕ 28mm, Quick Connect

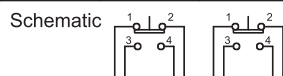
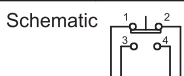


Ex. P/N: AV02-BA2-M3-F(L=38.40)

AV03-BA2-M3-F (L=40.80)

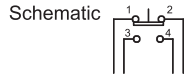
Model No.	SPDT Type	
02	ON	MOM
03	ON	ON

Model No.	DPDT Type	
12	ON	MOM
13	ON	ON

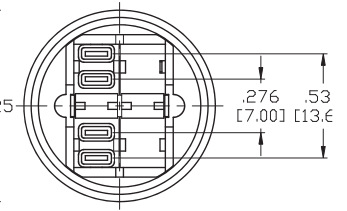
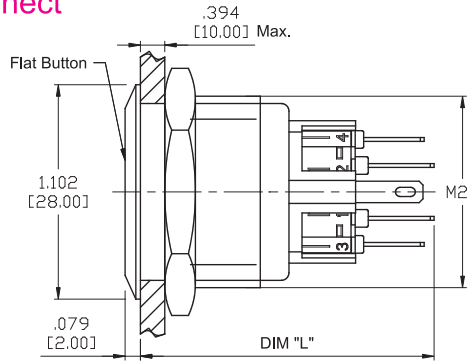
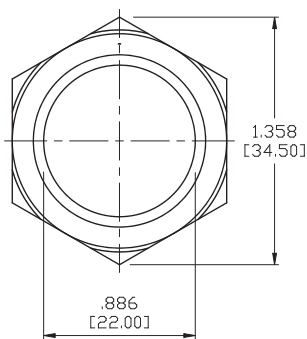
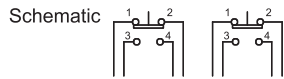


Non-latching & Latching Ø25mm, Quick Connect

Model No.	SPDT Type	
02	ON	MOM
03	ON	ON



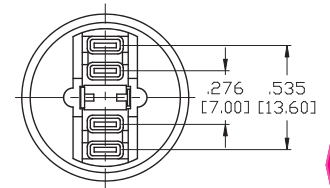
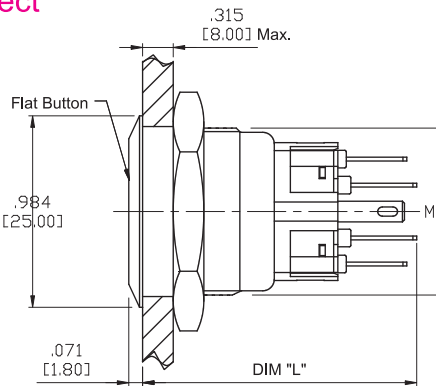
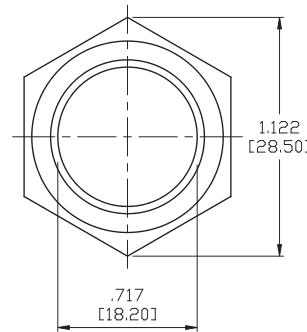
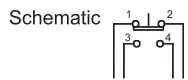
Model No.	DPDT Type	
12	ON	MOM
13	ON	ON



Ex. P/N: AV02-B02-M3-F (L=38.35mm)
AV03-B02-M3-F (L=41.35mm)

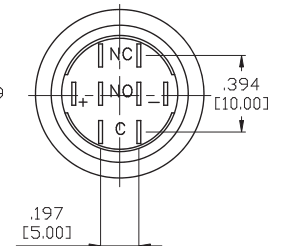
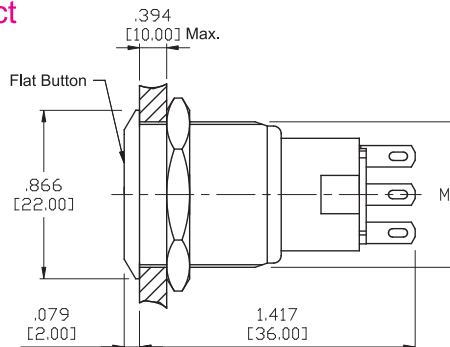
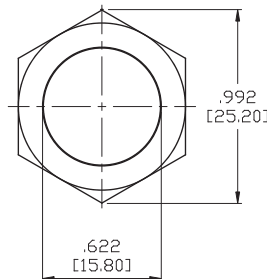
Non-latching & Latching Ø22mm, Quick Connect

Model No.	SPDT Type	
02	ON	MOM
03	ON	ON



Ex. P/N: AV02-B12-M3-F (L=35.8mm)
AV03-B12-M3-F (L=40.8mm)

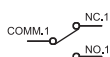
Non-latching & Latching Ø19mm, Quick Connect



Ex. P/N: AV02-B22-M3-F
AV03-B22-M3-F

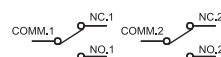
Model No.	SPDT Type	
02	ON	MOM
03	ON	ON

Schematic

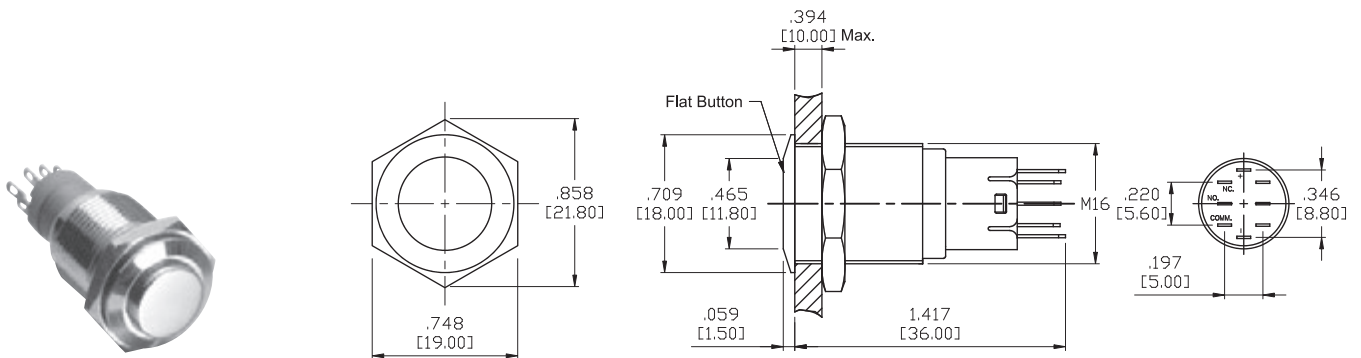


Model No.	DPDT Type	
12	ON	MOM
13	ON	ON

Schematic



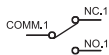
Non-latching & Latching Ø 16mm, Quick Connect



Ex. P/N: AV02-B3-M3-F & AV03-B3-M3-F

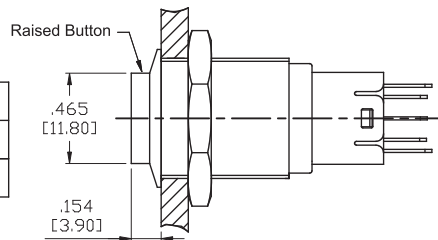
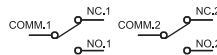
Model No.	SPDT Type	
02	ON	MOM
03	ON	ON

Schematic



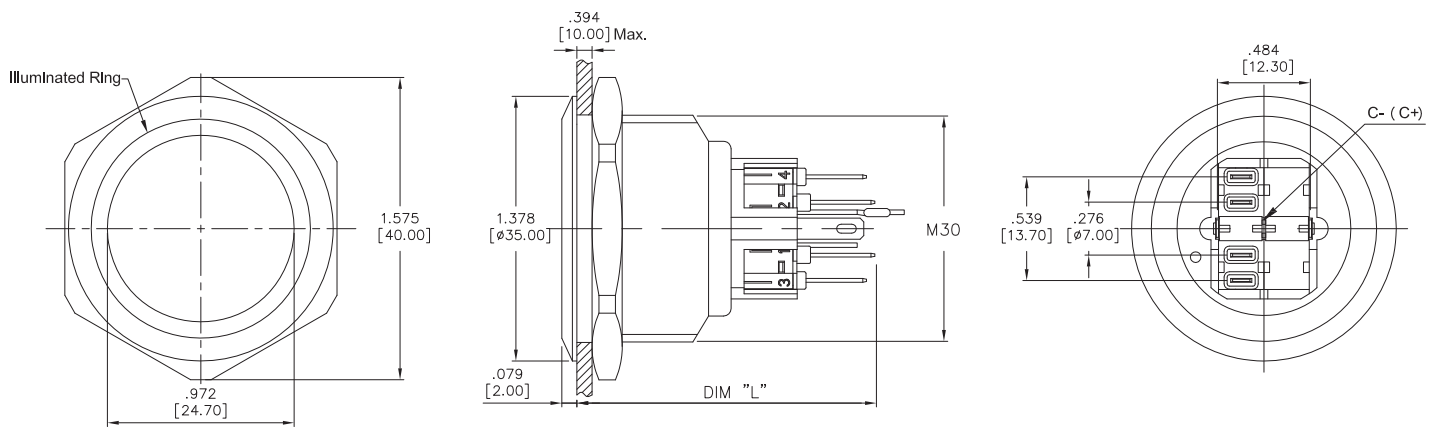
Model No.	DPDT Type	
12	ON	MOM
13	ON	ON

Schematic



Ex. P/N: AV02-B3-M3-R & AV03-B3-M3-R

Illuminated Non-latching & Latching Ø 30mm, Quick Connect



Ex. P/N: AV02L-BB2-M3-FR-x (L=38.40)
AV03L-BB2-M3-FR-x (L=40.80) Replace "x" with LED color

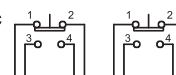
Model No.	SPDT Type	
02L	ON	MOM
03L	ON	ON

Schematic

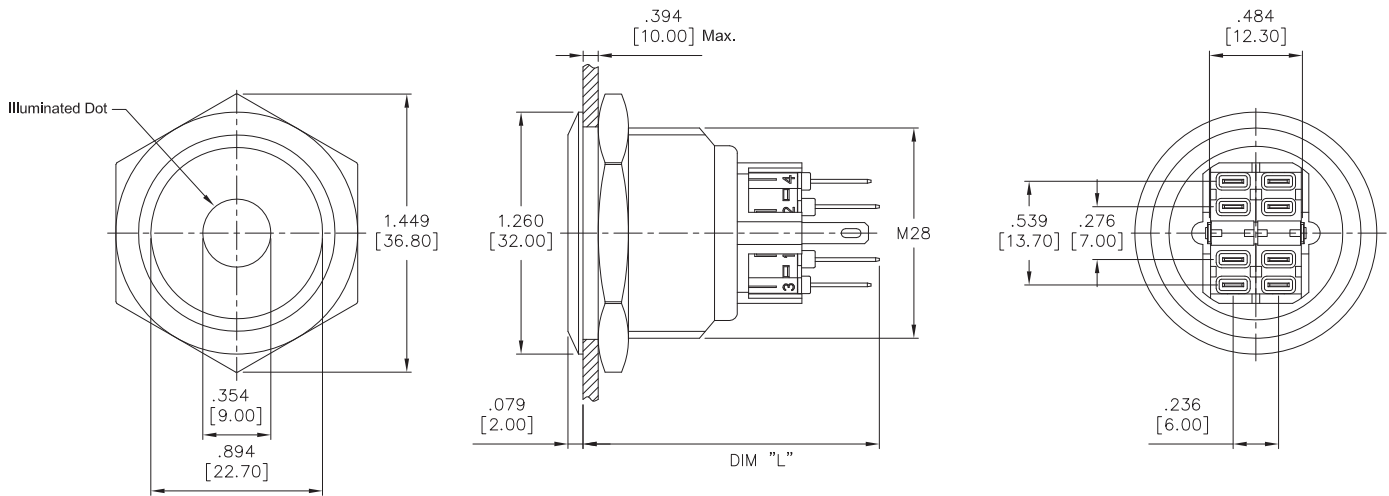


Model No.	DPDT Type	
12L	ON	MOM
13L	ON	ON

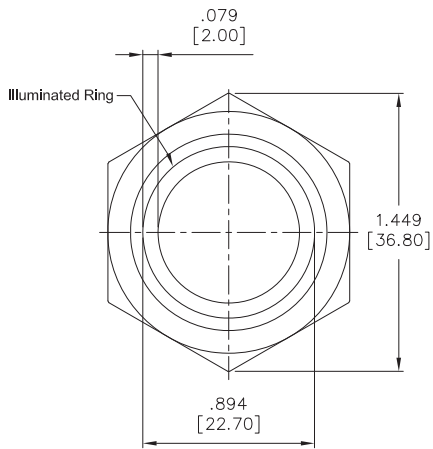
Schematic



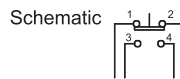
Illuminated Non-latching & Latching Ø 28mm, Quick Connect



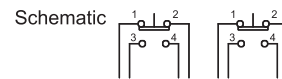
Ex. P/N: AV02L-BA2-M3-FD-x(L=38.40) Replace "x" with LED color
 AV03L-BA2-M3-FD-x (L=40.80)



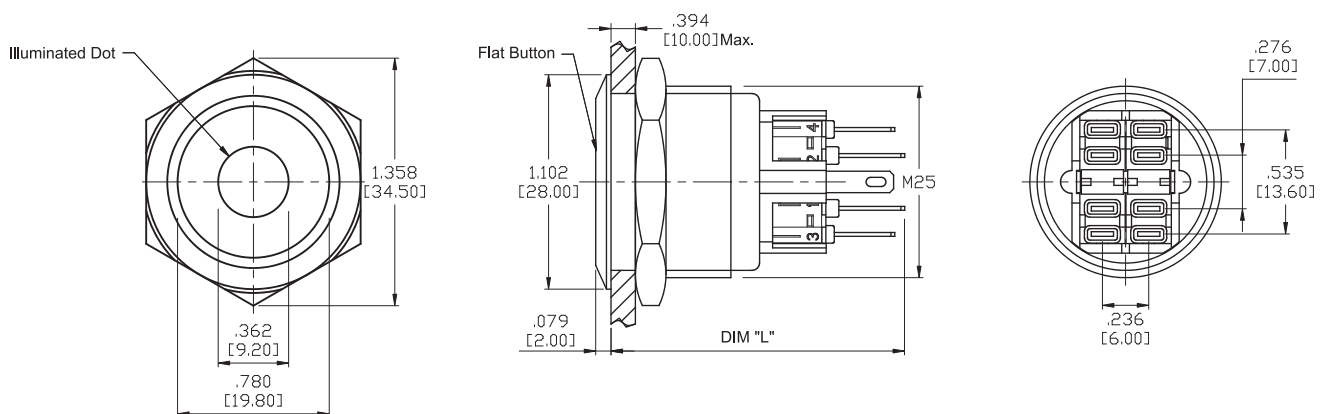
Model No.	SPDT Type	
02L	ON	MOM
03L	ON	ON



Model No.	DPDT Type	
12L	ON	MOM
13L	ON	ON

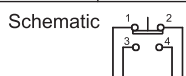


Illuminated Non-Latching & Latching Ø 25mm, Quick Connect

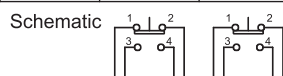


Ex. P/N: AV02L-B02-M3-FD-x (L=38.35) Replace "x" with LED color
 AV03L-B02-M3-FD-x (L=41.35)

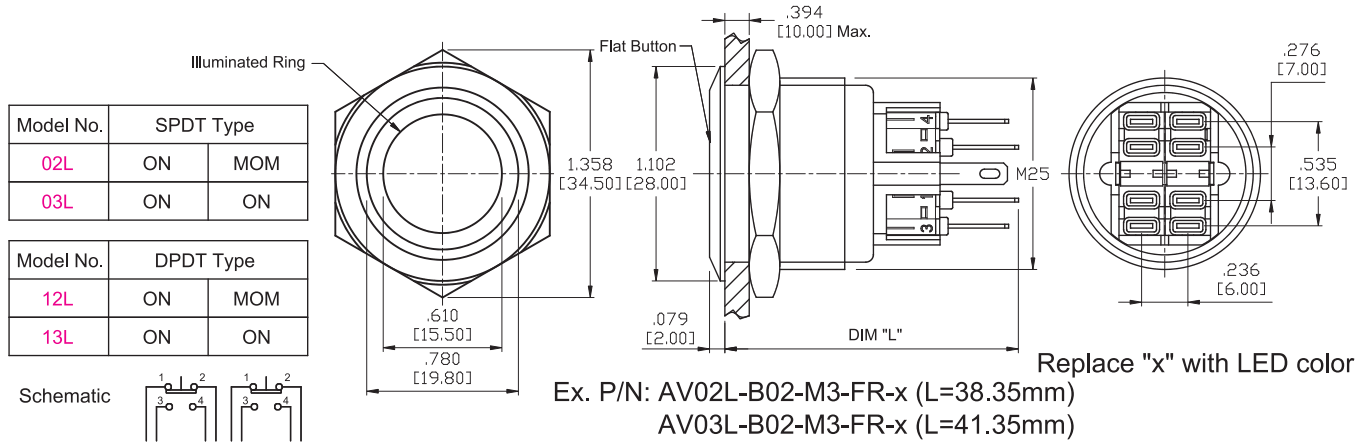
Model No.	SPDT Type	
02L	ON	MOM
03L	ON	ON



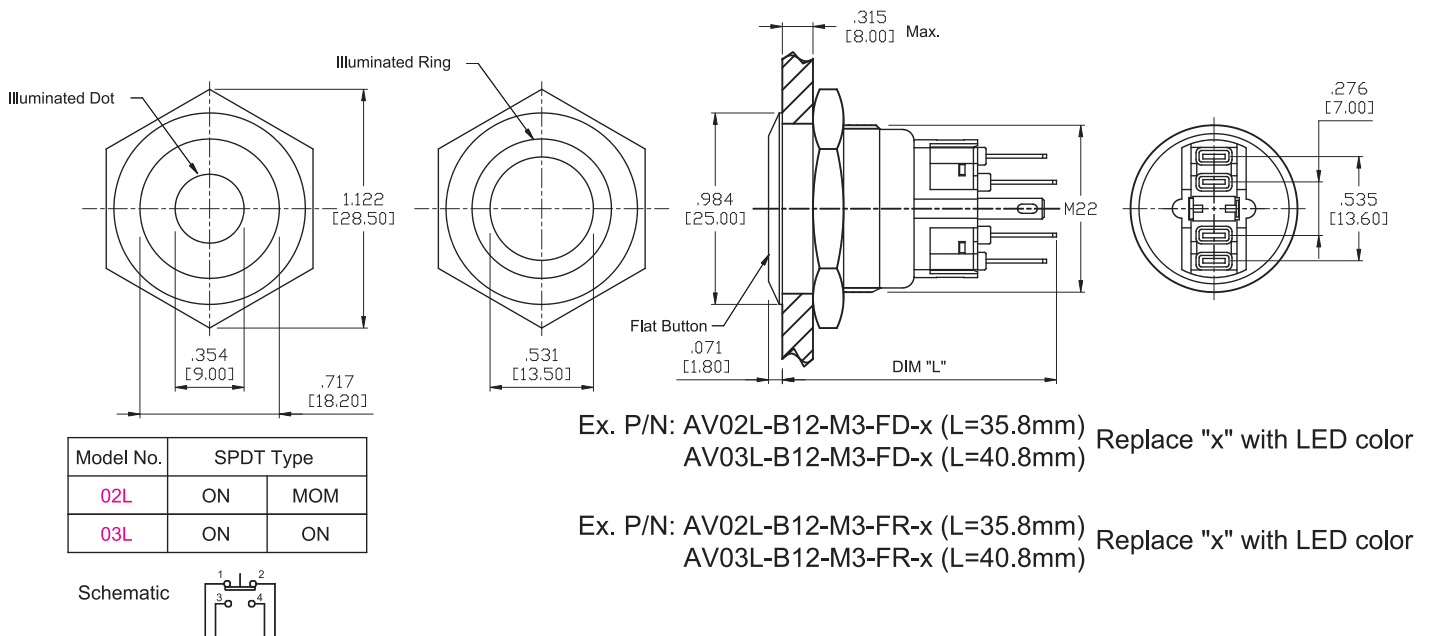
Model No.	DPDT Type	
12L	ON	MOM
13L	ON	ON



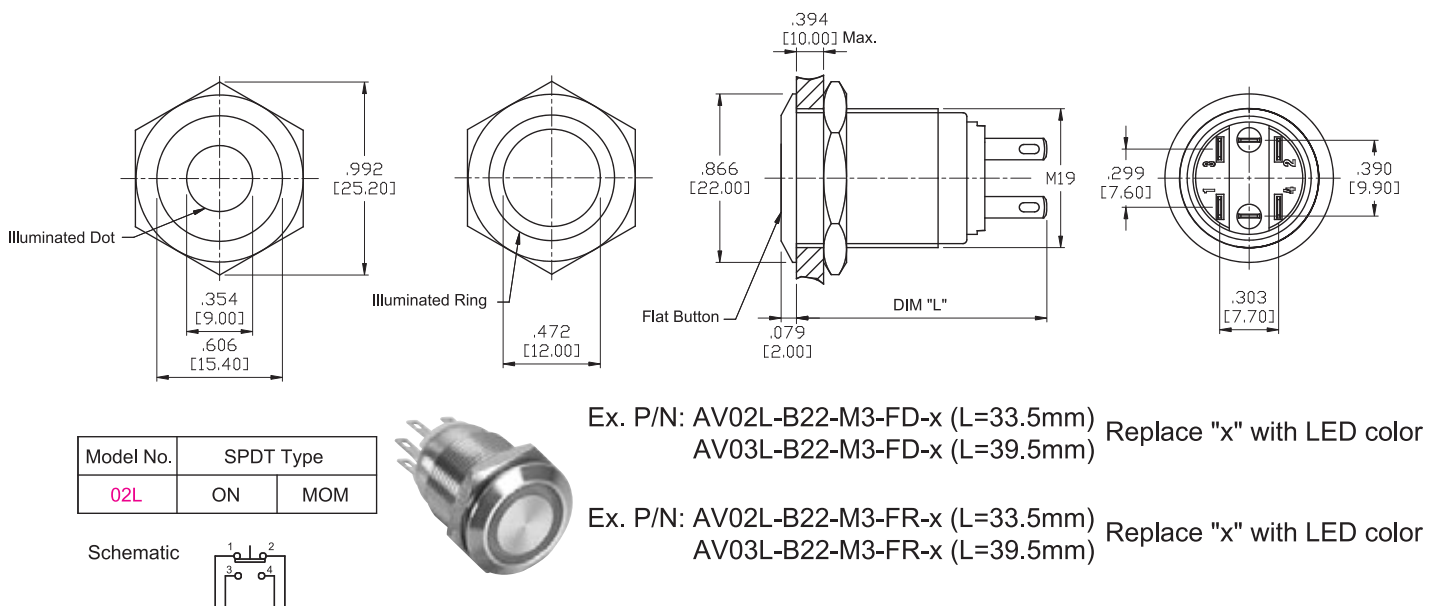
Illuminated Non-Latching & Latching Ø 25mm, Quick Connect



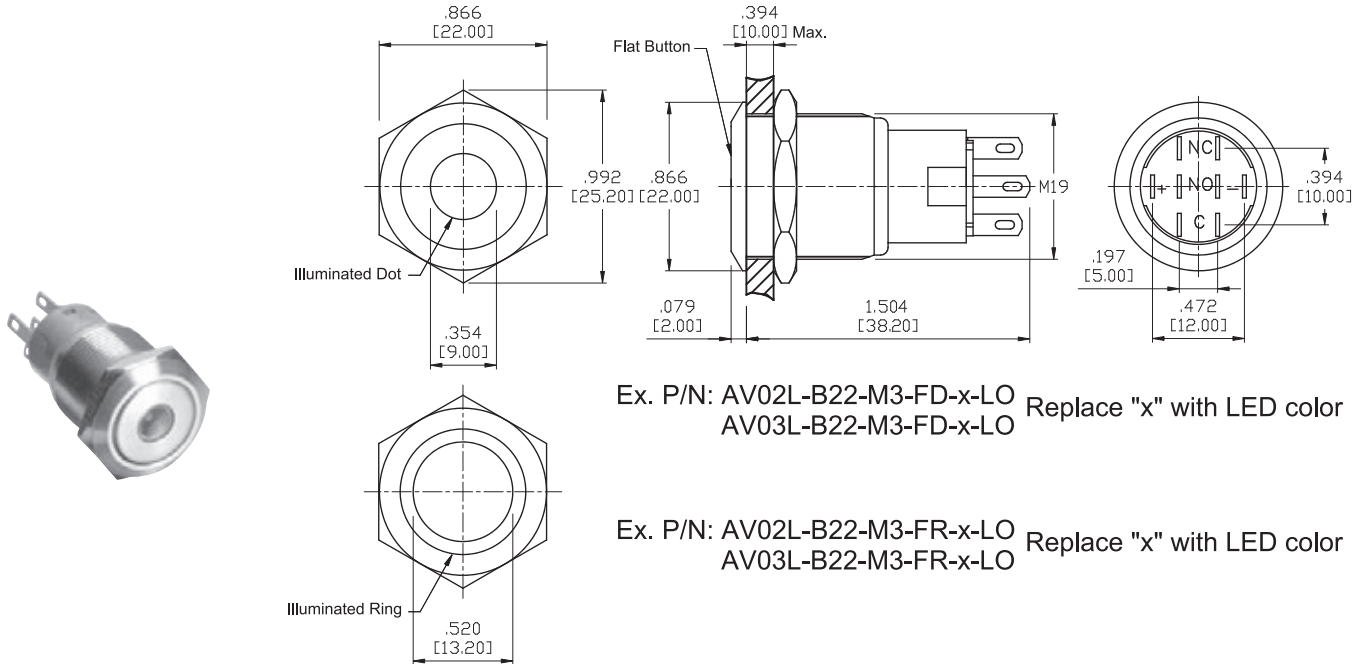
Illuminated Non-Latching & Latching Ø 22mm, Quick Connect



Illuminated Non-Latching & Latching Ø 19mm, Quick Connect



Illuminated Non-Latching & Latching Ø 19mm, Quick Connect, Long Case

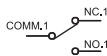


Ex. P/N: AV02L-B22-M3-FD-x-LO Replace "x" with LED color
 AV03L-B22-M3-FD-x-LO

Ex. P/N: AV02L-B22-M3-FR-x-LO Replace "x" with LED color
 AV03L-B22-M3-FR-x-LO

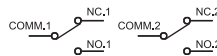
Model No.	SPDT Type	
02L	ON	MOM
03L	ON	ON

Schematic

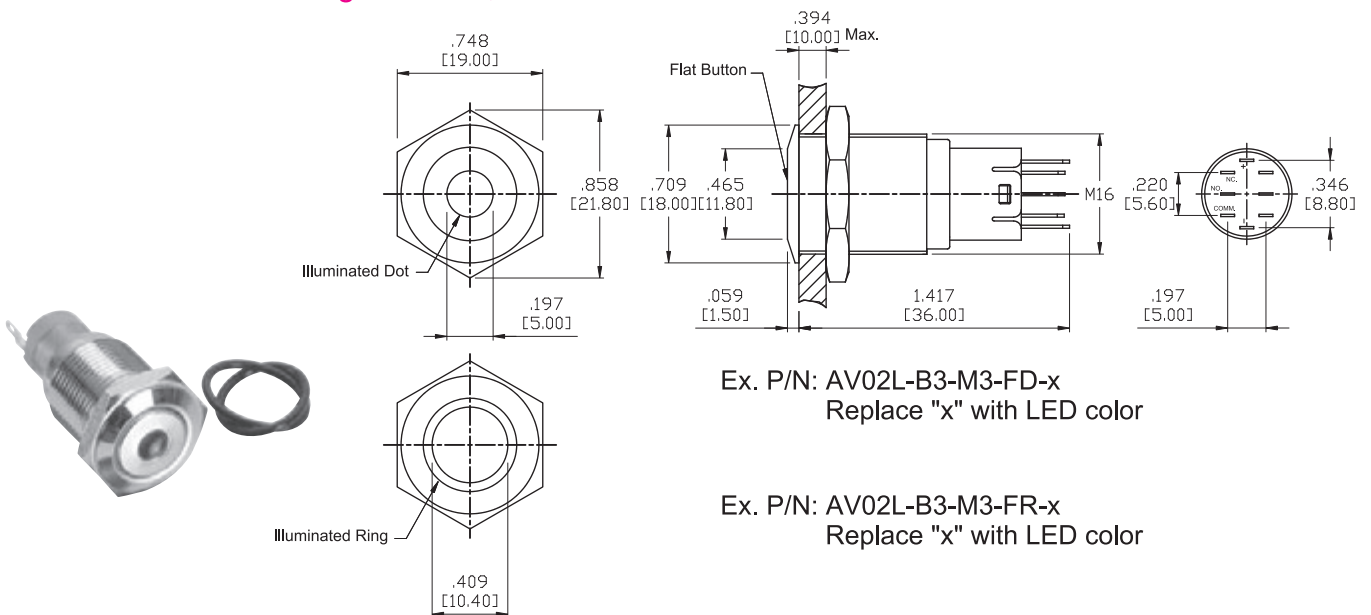


Model No.	DPDT Type	
12L	ON	MOM
13L	ON	ON

Schematic



Illuminated Non-Latching Ø16mm, Quick Connect

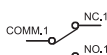


Ex. P/N: AV02L-B3-M3-FD-x
 Replace "x" with LED color

Ex. P/N: AV02L-B3-M3-FR-x
 Replace "x" with LED color

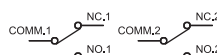
Model No.	SPDT Type	
02L	ON	MOM

Schematic



Model No.	DPDT Type	
12L	ON	MOM

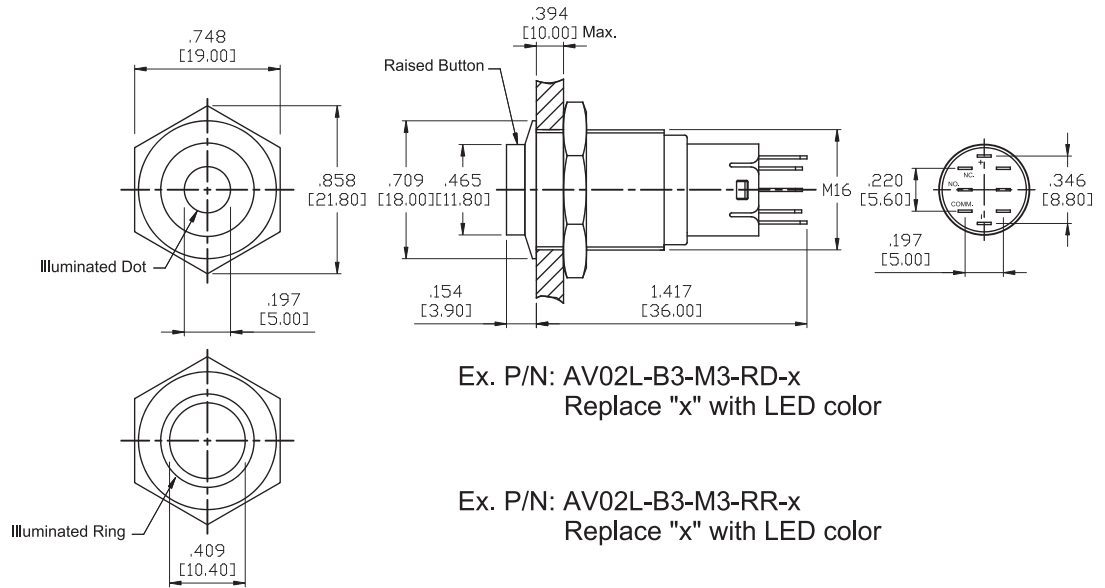
Schematic



Toggle
 Rocker
 Slide
 Pushbutton
AV

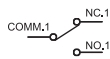
Rotary
 Tact
 Touch Key
 Miscellaneous

Illuminated Non-Latching Ø 16mm, Quick Connect



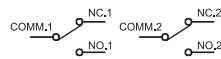
Model No.	SPDT Type	
02L	ON	MOM

Schematic

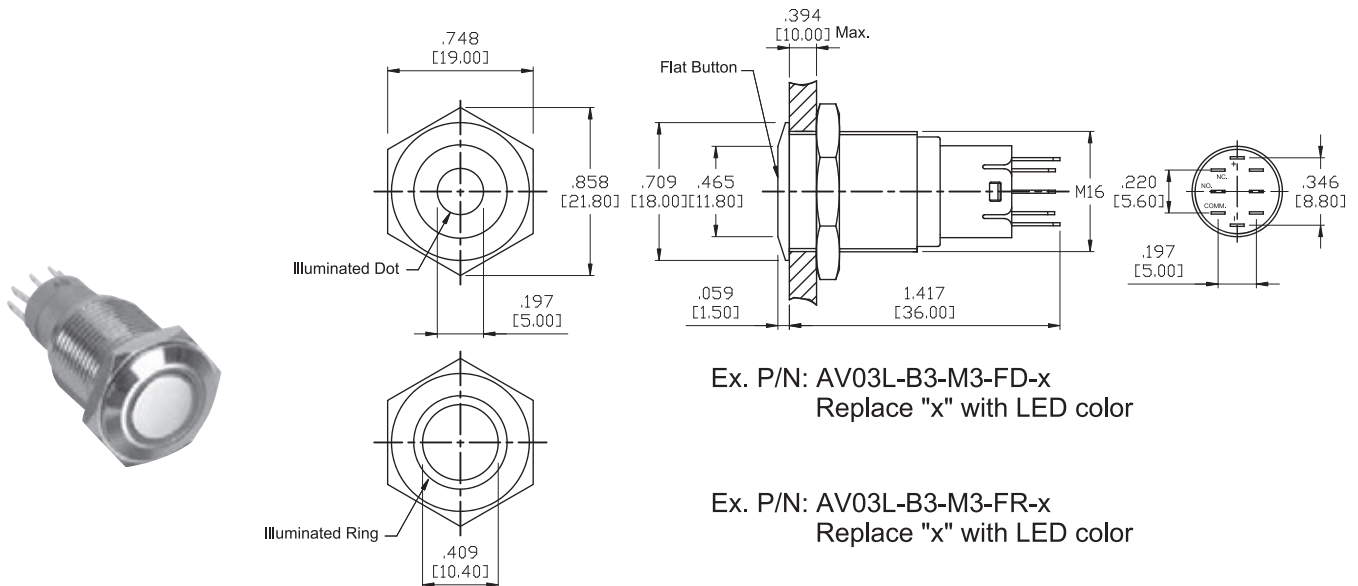


Model No.	DPDT Type	
12L	ON	MOM

Schematic

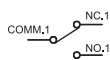


Illuminated Latching Ø16mm, Quick Connect



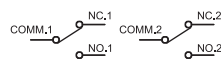
Model No.	SPDT Type	
03L	ON	ON

Schematic

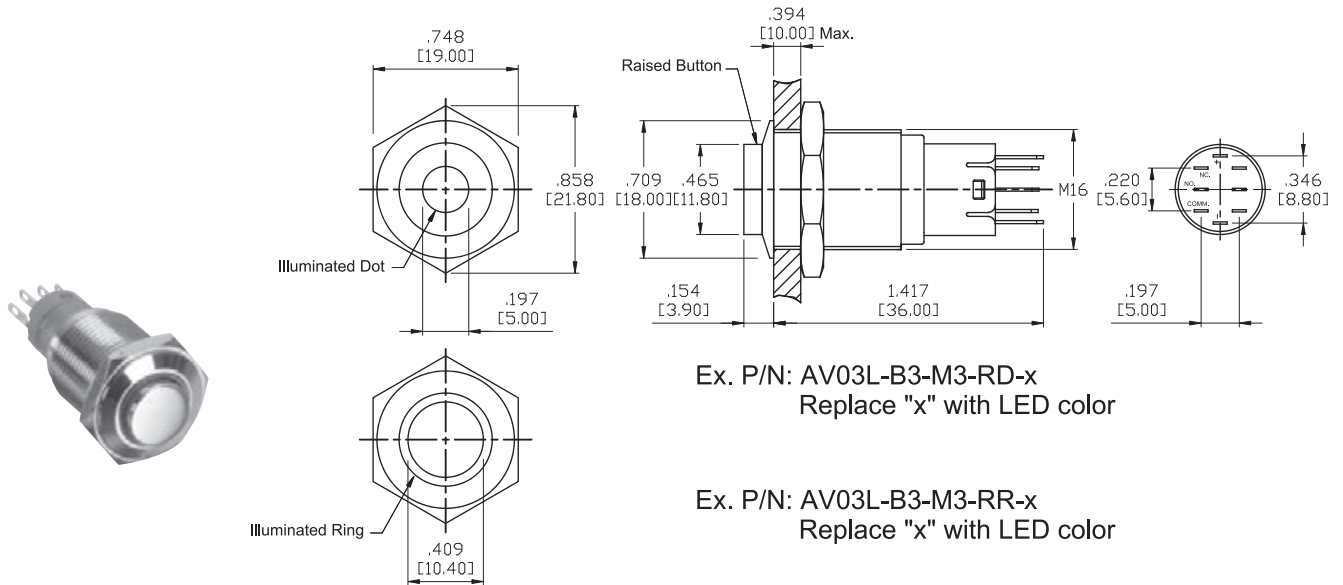


Model No.	DPDT Type	
13L	ON	ON

Schematic

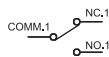


Illuminated Latching Ø16mm, Quick Connect



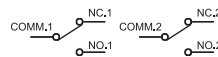
Model No.	SPDT Type	
03L	ON	ON

Schematic



Model No.	DPDT Type	
13L	ON	ON

Schematic



BUSHING & BUTTON MATERIAL OPTIONS

Code	Bushing Size	Bushing & Button Material	MOQ
B3	Ø16mm	Nickel plated brass with varnished polished	100 PCS
B31	Ø16mm	Gold plated brass with varnished polished	2,000 PCS
B02,B12,B22,B32	Ø25,22,19,16mm	Stainless steel with varnished polished	100 PCS
B23,B33	Ø19,16mm	Al. alloy with black nickel plated	2,000 PCS

LED COLOR OPTIONS

Code	Button Color
R	Red
G	Green
Y	Yellow
O	Orange
B	Blue
W	White

