

Data Sheet for Article: MM216539--

# Surface mounting enclosure, 4 holes, black/ light grey

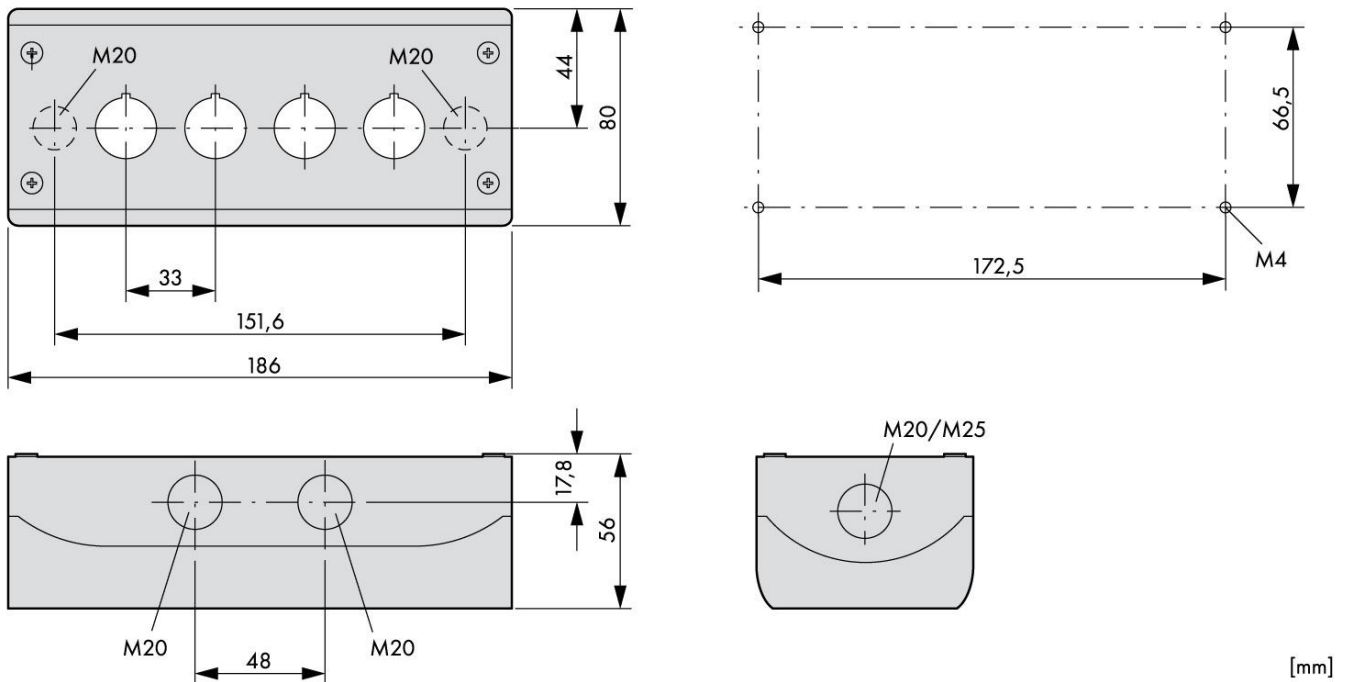
IP67



## Technical Data

|                               |  |
|-------------------------------|--|
| Series                        | MM   |
| Illumination                  | non-illuminated  |
| Colour                        | Black/light gray   |
| Device category               | 4  |
| Make-up                       | Surface mount housing  |
| Optional Accessories          | MM216374--;MM216594--;MM216643--;MM216378--;MM216376--;MM216609--;MM216611--   |
| shock resistance              | 30G  |
| Ambient temperature Open (°C) | -25°C...+70°C  |
| Climatic proofing             | Damp heat, constant, to IEC 60068-2-78<br>Damp heat, cyclic, to IEC 60068-2-30 |
| Standards                     | IEC/EN 60947, VDE 0660   |
| Mounting position             | any  |
| Type No.                      | M22-I4   |

## Maßbild



## Article Table

| DESCRIPTION   | Order No. |
|---|-----------|
| Surface mounting enclosure, 4 holes, black/light grey<br>IP67 | MM216539  |
| <b>Optional Accessories</b>                                   |           |
| Adapter ( front)  | MM216374  |
| Push-button flat, spring-return, red<br>IP67                  | MM216594  |
| Push-button extended, spring-return, green<br>IP67            | MM216643  |
| NC contact block front mount                                  | MM216378  |
| NO contact block front mount                                  | MM216376  |
| Push-button flat, `0`, spring-return, black<br>IP67           | MM216609  |
| Push-button flat, `1`, spring-return, white<br>IP67           | MM216611  |