

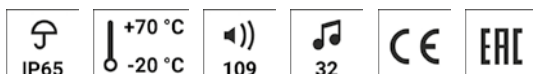
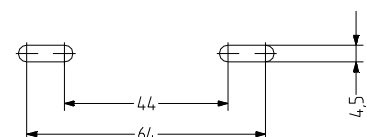
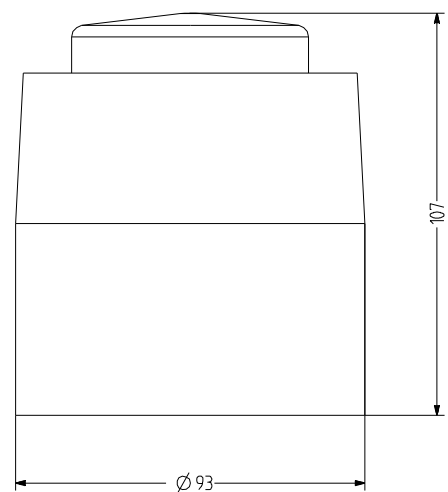
## CS1 Electronic alarm sounder

- Cost-effective multi-tone alarm sounder with LED flashing beacon
- 32 tones can be selected via DIP switch
- Sound pressure can be preselected in 3 steps via DIP switch
- For universal applications at 24 V DC
- Second tone can be switched externally
- Degree of protection IP 65 can be achieved if installed correctly



### TECHNICAL DATA

Housing	Ø 63 mm, red or white
Lens	ribbed inside orange or red
Type of mounting	horizontal, any
Beacon type	LED flashing beacon
Strobe/flash frequency	1 Hz
Tone	32 Tones, 2 Tones can be switched externally, various (see tone table)
Volume	88-109 dB (can be adjusted with potentiometer)
Tone frequency	440-2.900 Hz
Duty cycle	100 %
Service life	Light source: >50.000 h
Operating temperature	-20 °C / +70 °C
Degree of protection	IP65
Weight	258 g



# CS1

## ORDER DATA

Lens colour	Nominal voltage	Voltage range (V)	Nominal current (A)	Housing colour	
				red	white
orange	24 V	18-35	0,014-0,041	C111 621 005	C111 221 005
red	24 V	18-35	0,014-0,041	C111 622 005	C111 222 005

## TONE TABLE

No.	Sound	Denomination	DIP	2nd stage alarm Hz
1	LF sweep	800-1.000 Hz @ 0.5 s	11111	800 cont
2	alternative warble	800/960 Hz @ 2 Hz	11110	800 cont
3	warble tone	800/1.000 Hz @ 0.5 s	11101	800 cont
4	alternative warble	500/600 Hz @ 2 Hz	11100	500 cont
5	HF back up interrupted tone	2.800 Hz @ 1.0 s on/off	11011	2.800 cont
6	LF back up alarm	800 Hz @ 150 ms on/off	11010	800 cont
7	HF back up interrupted tone, fast	2.800 Hz @ 150 ms on/off	11001	800 cont
8	LF continuous tone BS5839	800 Hz cont	11000	same tone
9	sweep tone	800/900 Hz @ 1 Hz	10111	800 cont
10	Australian slow whoop	interrupted tone 970 Hz @ 0.625 ms on/off	10110	500-1.200
				3.75 s on 0.25 s off
11	Dutch sweep tone	970 Hz cont	10101	500-1.200
				3.5 s on 0.5 s off
12	analogue sweep tone	500/600 Hz @ 2 Hz	10100	500 cont
13	sweep tone	800/970 Hz @ 3 Hz	10011	800 cont
14	alternate HF slow sweep	2.350/2.900 Hz @ 3 Hz	10010	2.400 cont
15	fast HF sweep	2.400-2.800 Hz @ 7Hz	10001	2.400 cont
16	US temporal pattern LF	950 Hz 0.5 s on/0.5 s off x 3; off for 1.5 s; repeat	10000	800 cont
17	interrupted tone BS Standard	800 Hz @ 0.5 s on/off	01111	800 cont
18	ISO8201 LF BS5839 Pt 11988	intermittent 970 Hz @ 0.5 s on/off	01110	same tone
19	interrupted tone, medium	1.000 Hz @ 0.25 s on/off	01101	800 cont
20	ISO8201 HF	970 Hz @ 0.5 s on/off	01100	same tone
21	continuous tone	1000 Hz	01011	same tone
22	LF buzz	800-950 Hz swept @ 110 Hz	01010	800 cont
23	HF continuous	2.800 Hz	01001	2.800 cont
24	sweep tone	800-970 Hz @ 9 Hz	01000	800 cont
25	German DIN tone	sweep 1.200-500 Hz @ 1 Hz	00111	800 cont
26	Swedish fire signal	intermittent 660 Hz @ 150 ms on/off	00110	same tone
27	French tone AFNOR	554 Hz @ 100 ms and 440 Hz @ 400 ms	00101	800 cont
28	Swedish all clear signal	continuous 660 Hz	00100	same tone
29	US temporal pattern HF	2.900 Hz @ 0.5 s on/off x 3; then off for 1.5 s; repeat	00011	2.900 cont
30	Siren 2-way ramp, short	500/1.200 Hz rising then falling 0.25 s	00010	800 cont
31	FP 1063.1 Telecom	alternating tone 800/970 Hz @ 2 Hz	00001	800 cont
32	Siren 2-way ramp, long	500/1.200 Hz @ 3 s rising/3 s falling	00000	800 cont

