

Control Box

SUS draw latch Type for Opening/Closing – IP67



► It is a cabinet-shaped product that fixed with a cicada-shaped hinge and special locking system and it is easy to close and open.

► As products are manufactured at factories that we owned, the price is competitive and various sizes and accessories satisfy customers.

► It is useful for control box, terminal box, power distribution panel, measuring equipment box, etc.

Materials & Composition Table

A G

•Material:ABS
•Color: Gray

A T

•Material:Cover(PC), Body(ABS)
•Color: Cover(Clear), Body(Gray)

P G

•Material:AC Flammability
•Color: Gray

P T

•Material:Cover(PC), Body(AC)
•Color: Cover(Clear), Body(Gray)

P C G

•Material:POLYESTER
•Color: Gray

P C T

•Material:Cover(PC), Body(POLYESTER)
•Color: Cover(Clear), Body(Gray)

ABS:Acrylonitrile Butadiene Styrene

P C:PolyCarbonate

Polyester : PBT+PC

AC:ABS(30%)+PC(70%)

► CONTROL BOX Product has 6 product names as shown above and can be made of any of 4 materials shown above. CONTROL BOX Product acquired IP67 Grade on each product manufactured by any of 4 materials.

Part Number	Dimensions(mm)			INCH	Others
	W	H	D		
DS-000-012	225	275	120	8.86×10.83×4.72	
DS-000-012-W	275	225	120	10.83×8.86×4.72	
DS-000-013	200	300	130	7.87×11.81×5.12	
DS-000-013-W	300	200	130	11.81×7.87×5.12	
DS-000-015	200	300	150	7.87×11.81×5.91	
DS-000-015-W	300	200	150	11.81×7.87×5.91	
DS-000-01	200	300	180	7.87×11.81×7.09	
DS-000-01-W	300	200	180	11.81×7.87×7.09	
DS-000-025	300	400	150	11.81×15.75×5.91	
DS-000-025-W	400	300	150	15.75×11.81×5.91	
DS-000-02	300	400	180	11.81×15.75×7.09	
DS-000-02-W	400	300	180	15.75×11.81×7.09	
DS-000-036	400	500	160	15.75×19.63×6.30	
DS-000-036-W	500	400	160	19.63×15.75×6.30	
DS-000-03	400	500	200	15.75×19.63×7.87	
DS-000-03-W	500	400	200	19.63×15.75×7.87	
DS-000-04	400	600	230	15.75×23.62×9.06	

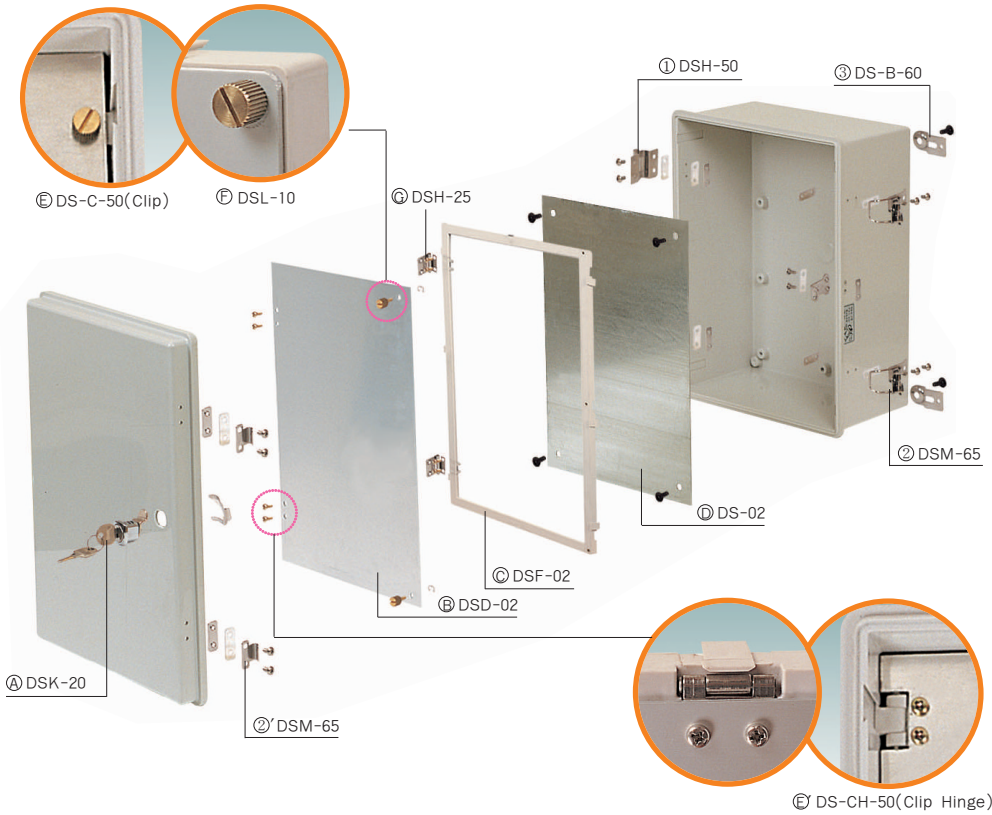
■ 000 mark of product at the above product list is to express a material.

■ Materials : AG, AT, PG, PT, PCG, PCT

■ Please refer to Material Composition Diagram by Products on Page 13.

Control Box Assembly Drawing

• Simple locking device of multipurpose Frame.



■ DS-PG-02

- Aluminum Panel should be equipped to the multipurpose Frame which is combined the stability and convenience.
- Locking can be maintained by an installation of Key (DSK-20)
- ① ② - Basic specification
- ③ , Ⓐ~Ⓖ - Optional specifications

Accessories



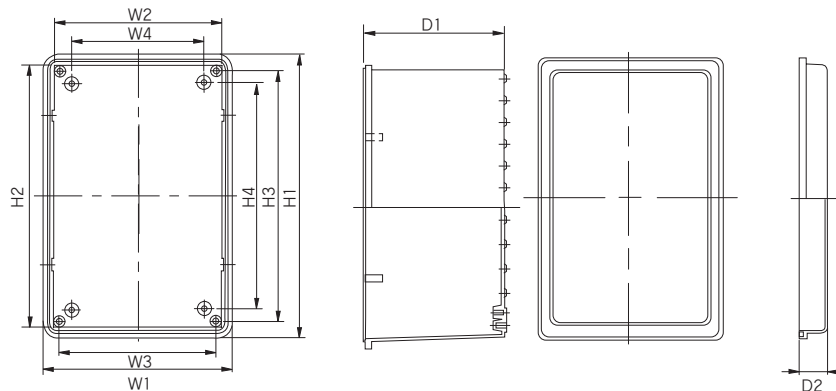
■ Please refer to Accessories List on Page 56~60.

Control Box Drawing Information

Model \ Division	H1	H2	H3	H4	W1	W2	W3	W4	D1	D2
DS - 012	276	256	240	210	225	205	189	160	92	30
DS - 012-W	276	256	240	210	225	205	189	160	92	30
DS - 013	300	280	252	226	200	178	152	129	100	30
DS - 013-W	300	280	252	226	200	178	152	129	100	30
DS - 015	300	280	252	226	200	178	152	129	122	30
DS - 015-W	300	280	252	226	200	178	152	129	122	30
DS - 01	300	279	253	225	200	178	152	128	150	30
DS - 01-W	300	279	253	225	200	178	152	128	150	30
DS - 025	400	379	352	325.5	300	279	252	228	120	30
DS - 025-W	400	379	352	325.5	300	279	252	228	120	30
DS - 02	400	380	352	325	300	281	252	230	148	30
DS - 02-W	400	380	352	325	300	281	252	230	148	30
DS - 036	500	478	454	425	400	378	354	230	130	30
DS - 036-W	500	478	454	425	400	378	354	230	130	30
DS - 03	500	479	452	420	400	379	352	230	170	30
DS - 03-W	500	479	452	420	400	379	352	230	170	30
DS - 04	600	579	552	525	400	378	352	230	200	30

Dimension

(Allowable error: ± 1mm)



BODY

COVER

Steel Mounting Plate

Product	mm W×H×D	inch W×H×D	MODEL
DS-000-012(-W)	251×200×1.6	9.88×7.87×0.06	DS-012
DS-000-013(-W)	267×170×1.6	10.51×6.69×0.06	DS-013
DS-000-015(-W)	267×170×1.6	10.51×6.69×0.06	DS-015
DS-000-01(-W)	267×170×1.6	10.51×6.69×0.06	DS-01
DS-000-025(-W)	362×265×1.6	14.25×10.43×0.06	DS-025
DS-000-02(-W)	362×265×1.6	14.25×10.43×0.06	DS-02
DS-000-036(-W)	463×362×1.6	18.23×14.25×0.06	DS-036
DS-000-03(-W)	463×362×1.6	18.23×14.25×0.06	DS-03
DS-000-04	560×362×1.6	22.05×14.25×0.06	DS-04



Plastic Mounting Plate

Product	mm W×H×D	inch W×H×D	MODEL
DS-000-012(-W)	251×200×3.4	9.88×7.87×0.13	DS-012 P/L
DS-000-013(-W)	267×170×3.4	10.51×6.69×0.13	DS-013 P/L
DS-000-015(-W)	267×170×3.4	10.51×6.69×0.13	DS-015 P/L
DS-000-01(-W)	267×170×3.4	10.51×6.69×0.13	DS-01 P/L
DS-000-025(-W)	362×265×4.3	14.25×10.43×0.17	DS-025 P/L
DS-000-02(-W)	362×265×4.3	14.25×10.43×0.17	DS-02 P/L
DS-000-036(-W)	463×362×5	18.23×14.25×0.19	DS-036 P/L
DS-000-03(-W)	463×362×5	18.23×14.25×0.19	DS-03 P/L