

Economy Box

Plastic draw latch Type for Opening/Closing – IP67



►As any steel or other accessories are not attached to this product, it is useful for coastal place and is not corroded even at the place where climate changes largely.

As shrinkage and expansion occur simultaneously in case of high temperature or drastic cooling, it can protect housed equipment by the optimal conditions.

►It is easy to divide into upper and lower and have excellent workability. As an integrated economic plastic box, it has an excellent competitiveness, easy to work.

►It is convenient for petro-chemical, chemical plant, sewage disposal facility, fire-fighting, environmental pollution prevention facility, housing facility, coastal factory, cement, etc.

Materials & Composition Table

A G •Material:ABS
•Color: Gray

A T •Material:Cover(PC), Body(ABS)
•Color: Cover(Clear), Body(Gray)

P G •Material:AC Flammability
•Color: Gray

P T •Material:Cover(PC), Body(AC)
•Color: Cover(Clear), Body(Gray)

P C G •Material:POLYESTER
•Color: Gray

P C T •Material:Cover(PC), Body(POLYESTER)
•Color: Cover(Clear), Body(Gray)

ABS:Acrylonitrile Butadiene Styrene

P C:PolyCarbonate

Polyester : PBT+PC

AC:ABS(30%)+PC(70%)

►ECONOMY Product has 6 product names as shown above and can be made of any of 4 materials shown above. Product acquired IP67 Grade on each product manufactured by any of 4 materials.

Part Number	Dimensions(mm)			INCH	Others
	W	H	D		
EN-000-1013	100	130	70	3.93 × 5.11 × 2.75	
EN-000-1015	100	150	70	3.93 × 5.90 × 2.75	
EN-000-1020	100	200	70	3.93 × 7.87 × 2.75	
EN-000-1027	100	270	70	3.93 × 10.63 × 2.75	
EN-000-1515	150	150	90	5.90 × 5.90 × 3.54	
EN-000-1520	160	210	100	6.30 × 8.27 × 3.93	
EN-000-1818	195	195	150	7.68 × 7.68 × 5.90	
EN-000-2227	225	275	120	8.86 × 10.83 × 4.72	
EN-000-2030-S	200	300	130	7.87 × 11.81 × 5.11	
EN-000-2030	200	300	160	7.87 × 11.81 × 6.29	
EN-000-2030-B	200	300	200	7.87 × 11.81 × 7.87	
EN-000-2535	250	350	150	9.84 × 13.78 × 5.90	
EN-000-2535-B	250	350	180	9.84 × 13.78 × 7.08	
EN-000-3040	300	400	160	11.81 × 15.74 × 6.29	
EN-000-3040-B	300	400	180	11.81 × 15.74 × 7.08	
EN-000-3545-S	350	450	160	13.78 × 17.71 × 6.29	
EN-000-3545	350	450	200	13.78 × 17.71 × 7.87	
EN-000-4050	400	500	160	15.74 × 19.68 × 6.29	
EN-000-4050-B	400	500	200	15.74 × 19.68 × 7.87	
EN-000-4353-S	430	530	160	16.92 × 20.86 × 6.29	
EN-000-4353	430	530	200	16.92 × 20.86 × 7.87	
EN-000-5060-S	530	630	180	20.87 × 24.80 × 7.08	
EN-000-5060	530	630	250	20.87 × 24.80 × 9.84	
EN-000-5070-S	530	730	180	20.87 × 28.74 × 7.08	
EN-000-5070	530	730	250	20.87 × 28.74 × 9.84	
EN-000-6080	600	800	280	23.62 × 31.50 × 11.02	

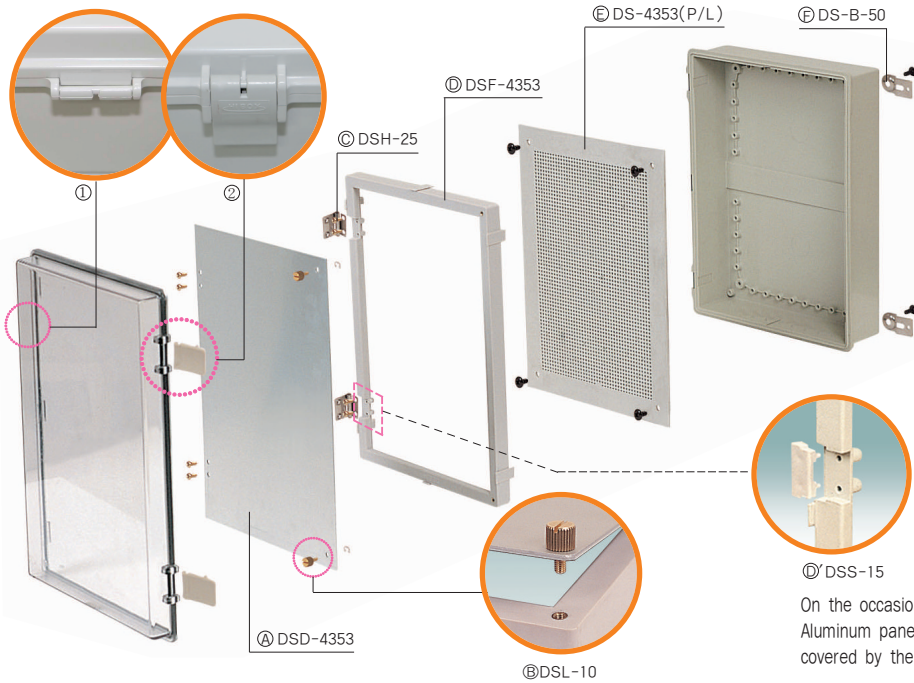
■ 000 mark of product at the above product list is to express a material.

■ Materials : AG, AT, PG, PT, PCG, PCT

■ Please refer to Material Composition Diagram by Products on Page 13.

Economy Box Assembly Drawing

- An operation is simple and no corrosion, and it is solid and its appearance is beautiful
- Plastic draw latch and hinge (①,②)



Accessories



Bracket



DSD set



DS-VH-40



DS-VH-50



DS-VH-60/DS-VH-80
(75×75mm) (100×100mm)



DSK-40



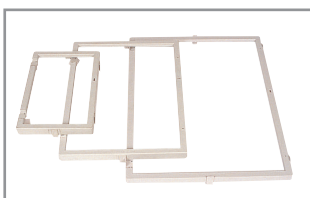
DS-PK-20



DSK-20



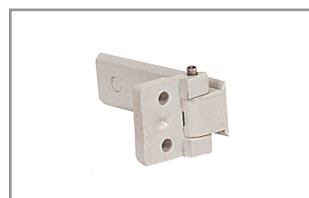
DSK-20M



DSF-4353,5060,5070 etc



DS-C-50



DS-CH-50



Plastic Draw Latch

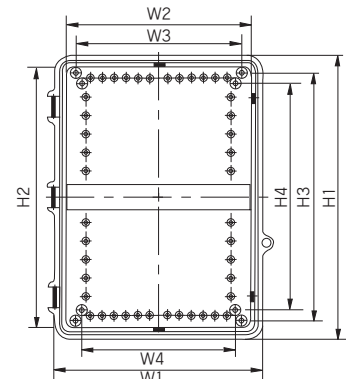
■ Please refer to Accessories List on Page 56~60.

Economy Box Drawing Information

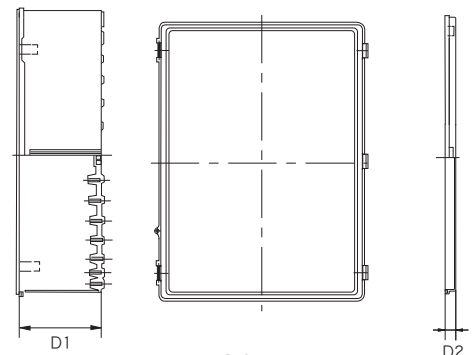
Model \ Division	H1	H2	H3	H4	W1	W2	W3	W4	D1	D2
EN-1013	130	111	96	80	99.5	81	66		50	20.5
EN-1015	150	131.5	116	110	99.5	81	66		50	20.5
EN-1020	200.5	181	166	159.6	99.5	81	66		50	20.5
EN-1027	270	250	236	229.6	99.5	81	66		50	20.5
EN-1515	150	136	121.8	111.5	150	136	121.8	111.5	70	20
EN-1520	211.5	193	178	160	161.5	143.5	128.2		75	25
EN-1818	196	180	163.5	144.5	196	180	163.5	144.5	120	25
EN-2227	275	255	240	210	225	205	189	160	90	30
EN-2030-S	304.5	284	256	229	203	183	154	129.5	102	30
EN-2030	304.5	284	256	229	203	183	154	129.5	132	30
EN-2030-B	304.5	284	256	229	203	183	154	129.5	173	30
EN-2535	356	330	310	271	250	230	210	179	120	30
EN-2535-B	356	330	310	271	250	230	210	179	150	30
EN-3040	410	384.5	357	330	304.5	280	255.5	231.5	132	30.5
EN-3040-B	410	385	357	330	305	280	256	231	150	30
EN-3545-S	450	423	402	365	350	321	302	274	130	30
EN-3545	450	423	402	365	350	321	302	274	170	30
EN-4050	500	478	454	425	400	378	354	339.5	130	30
EN-4050-B	500	478	454	425	400	378	354	339.5	170	30
EN-4353-S	532	500	457	420	433	399	357	328	130	30
EN-4353	532	500	457	420	433	399	357	328	170	30
EN-5060-S	634	599	576	540	534	500	477	444	150	32
EN-5060	634	600	577	540	534	500	477	445	220	32
EN-5070-S	734	699	676	644	534	499	477	444	150	30
EN-5070	734	700	677	645	534	500	477	445	220	30
EN-6080	810	777	760	704	607	574	556	517	257	25

Dimension

(Allowable error: ± 1mm)



BODY



COVER

Economy Box

Steel Mounting Plate

Product	mm W×H×D	inch W×H×D	MODEL
DS-000-1013	96.5×68×1.6	3.80×2.68×0.06	DS-1013
DS-000-1015	116×68×1.6	4.57×2.68×0.06	DS-1015
DS-000-1020	165.5×68×1.6	6.52×2.68×0.06	DS-1020
DS-000-1027	235×68×1.6	9.25×2.68×0.06	DS-1027
DS-000-1515	124×124×1.6	4.88×4.88×0.06	DS-1515
DS-000-1520	186×136×1.6	7.32×5.35×0.06	DS-1520
DS-000-2227	251×200×3.4	9.88×7.87×0.13	DS-2227
DS-000-2030(-S,-B)	267×170×1.6	10.51×6.69×0.06	DS-2030
DS-000-2535(-B)	321×221×1.6	12.63×8.70×0.06	DS-2535
DS-000-3040(-B)	362×265×1.6	14.25×10.43×0.06	DS-3040
DS-000-4050	463×362×1.6	18.23×14.25×0.06	DS-4050
DS-000-3545(-S)	420×307×1.6	16.54×12.09×0.06	DS-3545
DS-000-4353(-S)	463×362×1.6	18.22×14.25×0.06	DS-4353
DS-000-5060(-S)	485×575×1.6	18.31×22.64×0.06	DS-5060
DS-000-5070(-S)	680×480×1.6	26.77×18.90×0.06	DS-5070
DS-000-6080	720×520×1.6	28.35×20.47×0.06	DS-6080



Plastic Mounting Plate

Product	mm W×H×D	inch W×H×D	MODEL
DS-000-1013	96.5×68×3.5	3.80×2.68×0.14	DS-1013 P/L
DS-000-1015	116×68×3.5	4.57×2.68×0.14	DS-1015 P/L
DS-000-1020	165.5×68×3.5	6.52×2.68×0.14	DS-1020 P/L
DS-000-1027	235×68×3.5	9.25×2.68×0.14	DS-1027 P/L
DS-000-1515	124×124×3.75	4.88×4.88×0.15	DS-1515 P/L
DS-000-1520	186×136×3.0	7.32×5.35×0.12	DS-1520 P/L
DS-000-1818	175×175×4.1	6.89×6.89×0.16	DS-1818 P/L
DS-000-2227	251×200×3.4	9.88×7.87×0.13	DS-2227 P/L
DS-000-2030(-S,-B)	267×170×3.4	10.51×6.69×0.13	DS-2030 P/L
DS-000-2535(-B)	316×217×4.3	12.44×8.54×0.17	DS-2535 P/L
DS-000-3040(-B)	362×265×3.4	14.25×10.43×0.15	DS-3040 P/L
DS-000-4050	463×362×4.3	18.23×14.25×0.17	DS-4050 P/L
DS-000-3545(-S)	420×307×4.3	16.54×12.09×0.17	DS-3545 P/L
DS-000-4353(-S)	463×362×4.3	18.23×14.25×0.17	DS-4353 P/L