

# Nice Box

Plastic draw latch type for opening/closing – IP67

Nice Box



► It is a plastic box with a cicada-shaped hinge type and is easier to work than steel hinge type. In addition, it has a good exterior and excellent workability.

► It uses strong plastic hinge and a cicada-shaped buckle and is not corroded. In addition, it is easy to manipulate. That is why lots of customers prefer it.

► It can be used for various purposes such as small terminal box, signal device, terminal, pull box for lighting, environmental pollution prevention facility, housing facility and various sizes are available.

## Materials & Composition Table

<b>A G</b>	•Material:ABS •Color: Gray	<b>A T</b>	•Material:Cover(PC), Body(ABS) •Color: Cover(Clear), Body(Gray)
<b>P G</b>	•Material:AC Flammability •Color: Gray	<b>P T</b>	•Material:Cover(PC), Body(AC) •Color: Cover(Clear), Body(Gray)
<b>P C G</b>	•Material:POLYESTER •Color: Gray	<b>P C T</b>	•Material:Cover(PC), Body(POLYESTER) •Color: Cover(Clear), Body(Gray)

ABS:Acrylonitrile Butadiene Styrene	P C:PolyCarbonate
Polyester : PBT+PC	AC:ABS(30%)+PC(70%)

► NICE BOX Product has 6 product names as shown above and can be made of any of 4 materials shown above. NICE BOX Product acquired IP67 Grade on each product manufactured by any of 4 materials.

Part Number	Dimensions(mm)			INCH	Others
	W	H	D		
NE-000-1515	150	150	90	5.91 × 5.91 × 3.54	
NE-000-1722	170	220	110	6.69 × 8.66 × 4.33	
NE-000-1722-B	170	220	130	6.69 × 8.66 × 5.12	
NE-000-1727	170	270	110	6.69 × 10.63 × 4.33	
NE-000-1727-B	170	270	130	6.69 × 10.63 × 5.12	
NE-000-2919-S	290	190	100	11.42 × 7.48 × 3.94	
NE-000-2919	290	190	140	11.42 × 7.48 × 5.51	
NE-000-1929-S	190	290	100	7.48 × 11.42 × 3.94	
NE-000-1929-M	190	290	125	7.48 × 11.42 × 4.92	
NE-000-1929	190	290	140	7.48 × 11.42 × 5.51	
NE-000-2530-S	275	325	125	10.83 × 12.80 × 4.92	
NE-000-2530	275	325	180	10.83 × 12.80 × 7.09	
NE-000-2535	270	370	150	10.63 × 14.57 × 5.91	
NE-000-3030-S	330	330	130	12.99 × 12.99 × 5.12	
NE-000-3030	330	330	180	12.99 × 12.99 × 7.09	
NE-000-2939-S	290	390	100	11.42 × 15.35 × 3.94	
NE-000-2939-MS	290	390	125	11.42 × 15.35 × 4.92	
NE-000-2939-M	290	390	140	11.42 × 15.35 × 5.51	
NE-000-2939	290	390	160	11.42 × 15.35 × 6.30	
NE-000-3546-S	370	485	160	14.57 × 19.09 × 6.30	
NE-000-3546	370	485	200	14.57 × 19.09 × 7.87	

■ 000 mark of product at the above product list is to express a material.

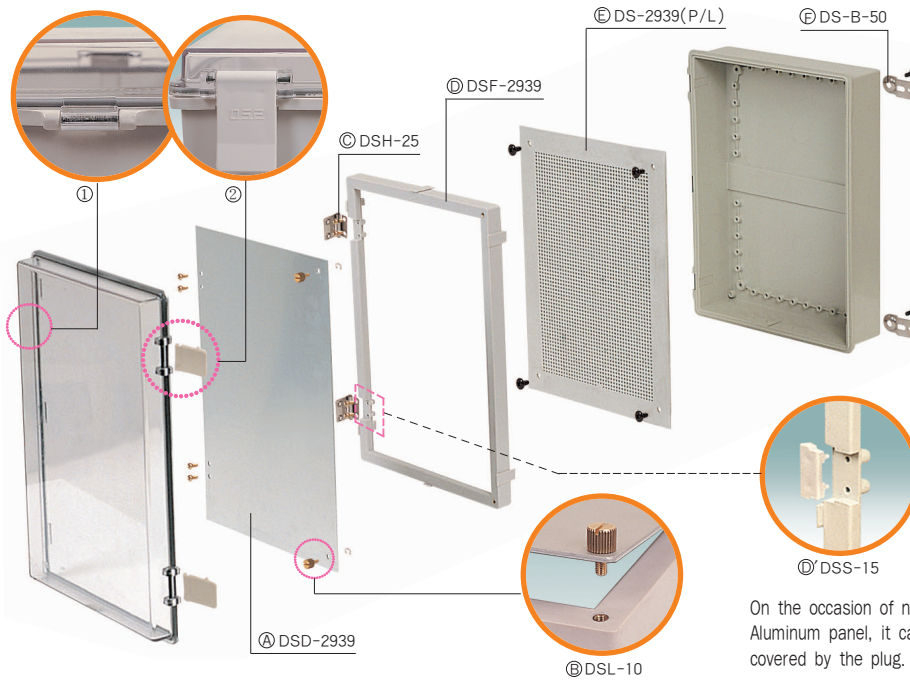
■ Materials : AG, AT, PG, PT, PCG, PCT

■ Please refer to Material Composition Diagram by Products on Page 13.

# Nice Box

# Assembly Drawing

- An operation is simple and no corrosion, and it is solid and its appearance is beautiful.
- Plastic draw latch and hinge (①, ②)



■ NE-PT-2939

## Accessories



Bracket



DSD set



DS-VH-40



DS-VH-50



DS-VH-60/DS-VH-80  
(75×75mm) (100×100mm)



DSK-40



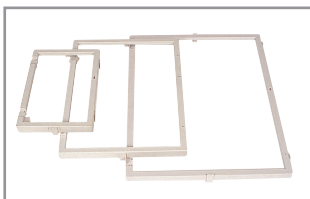
DS-PK-20



DSK-20



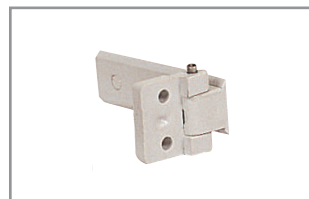
DSK-20M



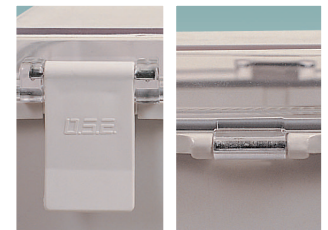
DSF-1929, 2939, 3546 etc



DS-C-50  
DS-C-50S



DS-CH-50



Plastic latch, hinge

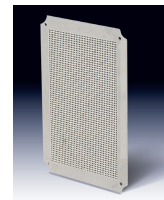
■ Please refer to Accessories List on Page 56~60.

# Nice Box Drawing Information

Model \ Division	H1	H2	H3	H4	W1	W2	W3	W4	D1	D2
NE - 1515	150	130	120	109	150	130	120		70	21
NE - 1722	222,7	200	182	161	172,7	150	132		80	30
NE - 1727	274	254	236	210	172	152	134		80	30
NE - 1929-S	287	265	253	210	190	168	156	120	70	30
NE - 1929-M	287	265	253	210	190	168	156	120	95	30
NE - 1929	287	266	253	210	190	169	156	120	110	30
NE - 2919-S	190	168	156	120	287	265	253	210	70	30
NE - 2919	190	168	156	120	287	265	253	210	110	30
NE - 2530-S	325	305	295	275	275	255	245	225	95	30
NE - 2530	325	305	295	275	275	255	245	225	150	30
NE - 3030-S	330	307	280	254	330	307	280	254	104	30
NE - 3030	330	307	280	250	330	307	280	250	149	30
NE - 2939-S	397	380	360	323	297	276	265	224	70	30
NE - 2939-MS	397	380	360	323	297	276	265	224	95	30
NE - 2939-M	397	380	360	323	297	276	265	224	110	30
NE - 2939	397	378	360	325	297	277	265	228	130	30
NE - 2535	369	349	330	290	269	249	230	192	120	30
NE - 3546-S	486	460	442	410	372	350	324	305	130	30
NE - 3546	486	466	442	410	372	350	324	296	169	30

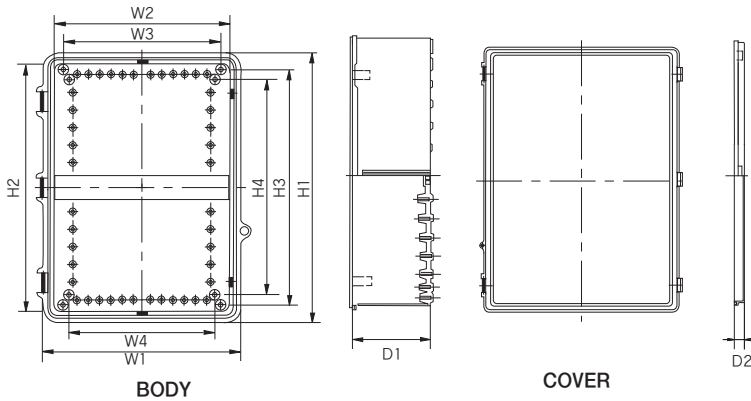
## Steel Mounting Plate

Product	mm W×H×D	inch W×H×D	MODEL
DS-000-1515	124×124×1,6	4,88×4,88×0,06	DS-1515
DS-000-1722(-B)	186×136×1,6	7,32×5,35×0,06	DS-1722
DS-000-1727(-B)	235,6×136×1,6	9,28×5,35×0,06	DS-1727
DS-000-1929(-S,M)	251,5×161×1,6	9,90×6,34×0,06	DS-1929
DS-000-2919(-S)	251,5×161×1,6	9,90×6,34×0,06	DS-2919
DS-000-2530(-S)	295×245×1,6	11,61×9,65×0,06	DS-2530
DS-000-2535	320,9×220,9×1,6	12,63×8,70×0,06	DS-2535
DS-000-2939(-S,M,MS)	362×265×1,6	14,25×10,43×0,06	DS-2939
DS-000-3030(-S)	291×291×1,6	11,46×11,46×0,06	DS-3030
DS-000-3546(-S)	447×333×1,6	17,60×13,11×0,06	DS-3546



## Dimension

(Allowable error: ± 1mm)



## Plastic Mounting Plate

Product	mm W×H×D	inch W×H×D	MODEL
DS-000-1515	124×124×3,75	4,88×4,88×0,15	DS-1515 P/L
DS-000-1722(-B)	186×136×3,0	7,32×5,35×0,12	DS-1722 P/L
DS-000-1727(-B)	235×136×3,75	9,25×5,35×0,15	DS-1727 P/L
DS-000-1929(-S,M)	252×161×3,4	9,92×6,34×0,13	DS-1929 P/L
DS-000-2919(-S)	252×161×3,4	9,92×6,34×0,13	DS-2919 P/L
DS-000-2530(-S)	237×287×4,0	9,33×11,30×0,16	DS-2530 P/L
DS-000-2535	316×217×4,3	12,44×8,54×0,17	DS-2535 P/L
DS-000-2939(-S,M,MS)	362×265×3,9	14,25×10,43×0,15	DS-2939 P/L
DS-000-3030(-S)	287×287×3,3	11,30×11,30×0,13	DS-3030 P/L
DS-000-3546(-S)	447×333×4,3	17,60×13,11×0,17	DS-3546 P/L

