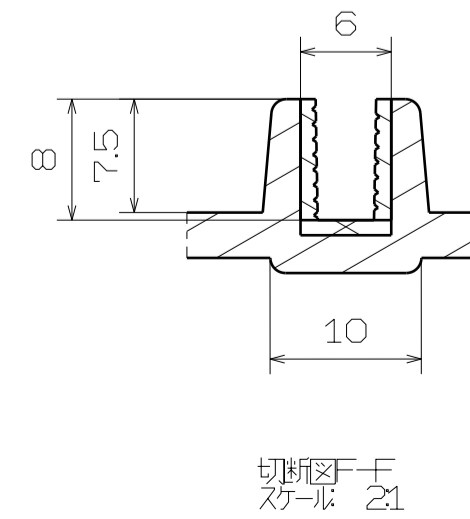
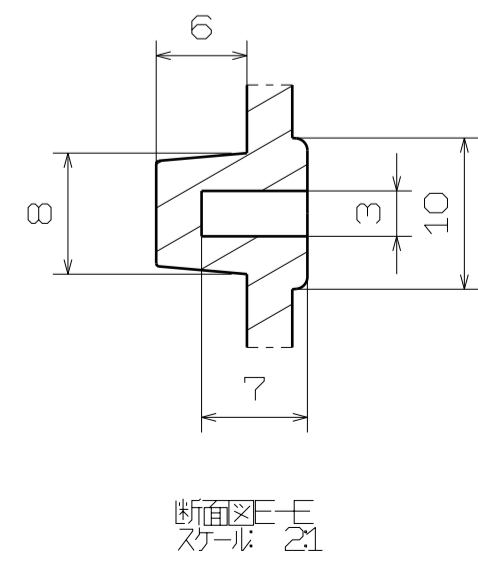
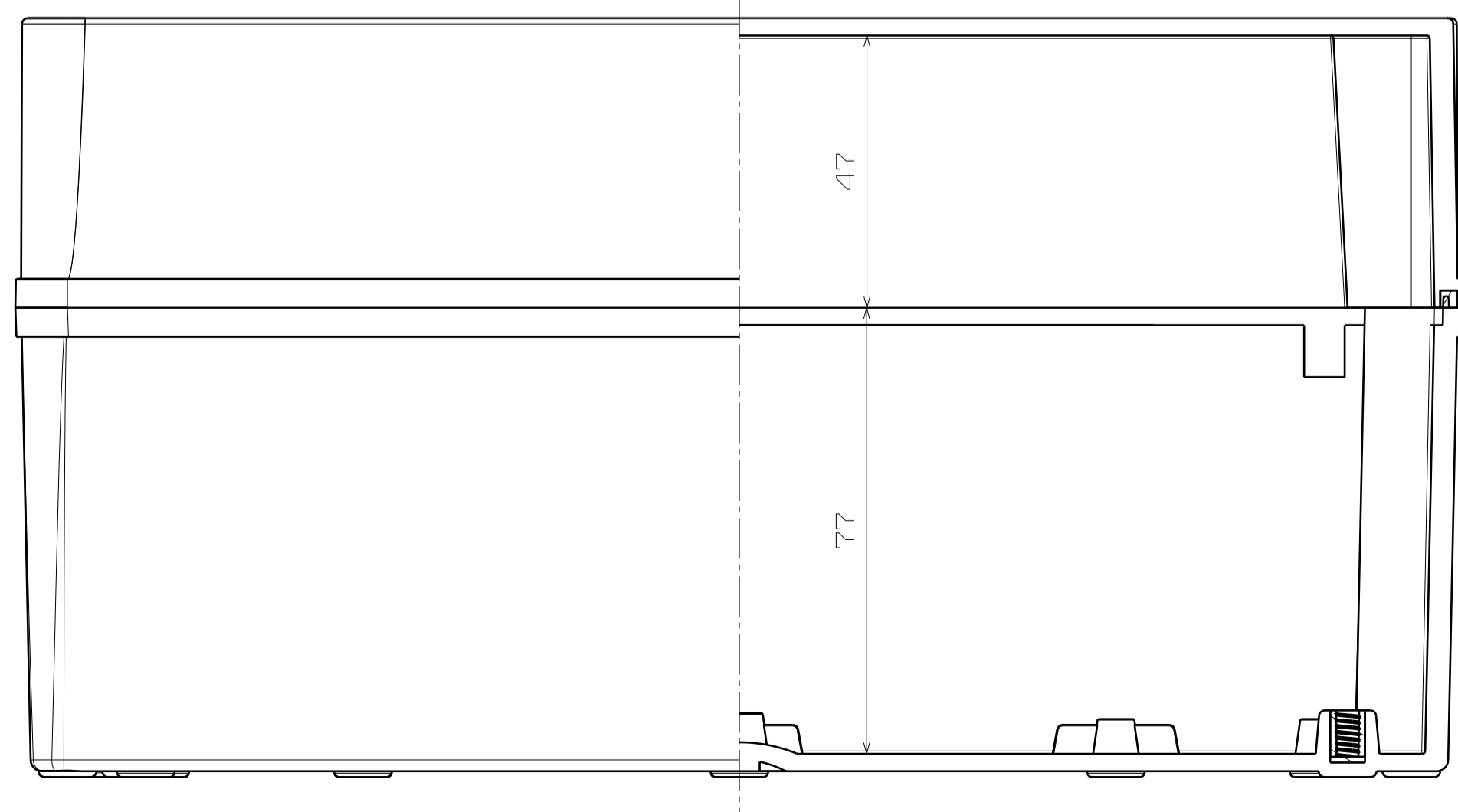
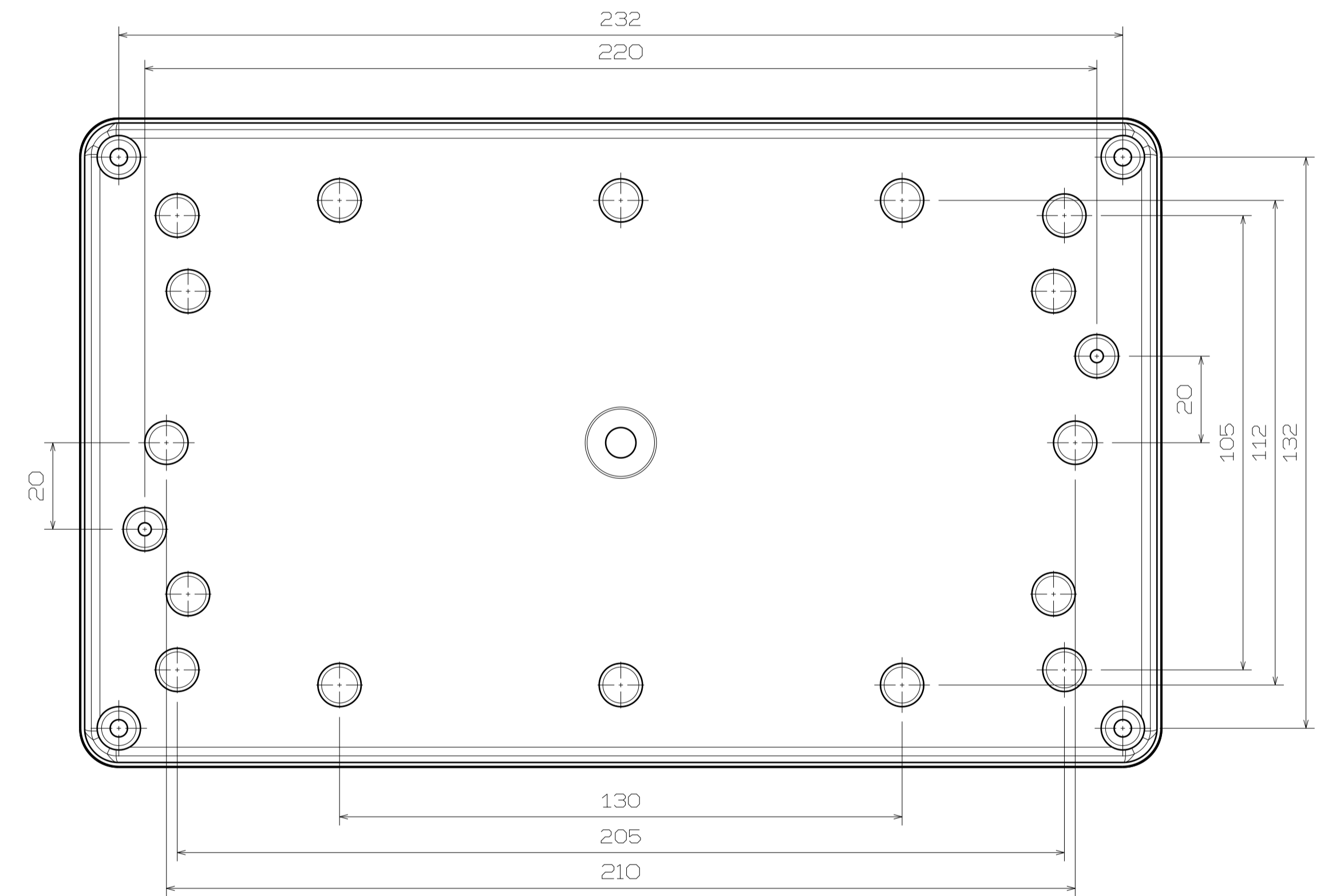
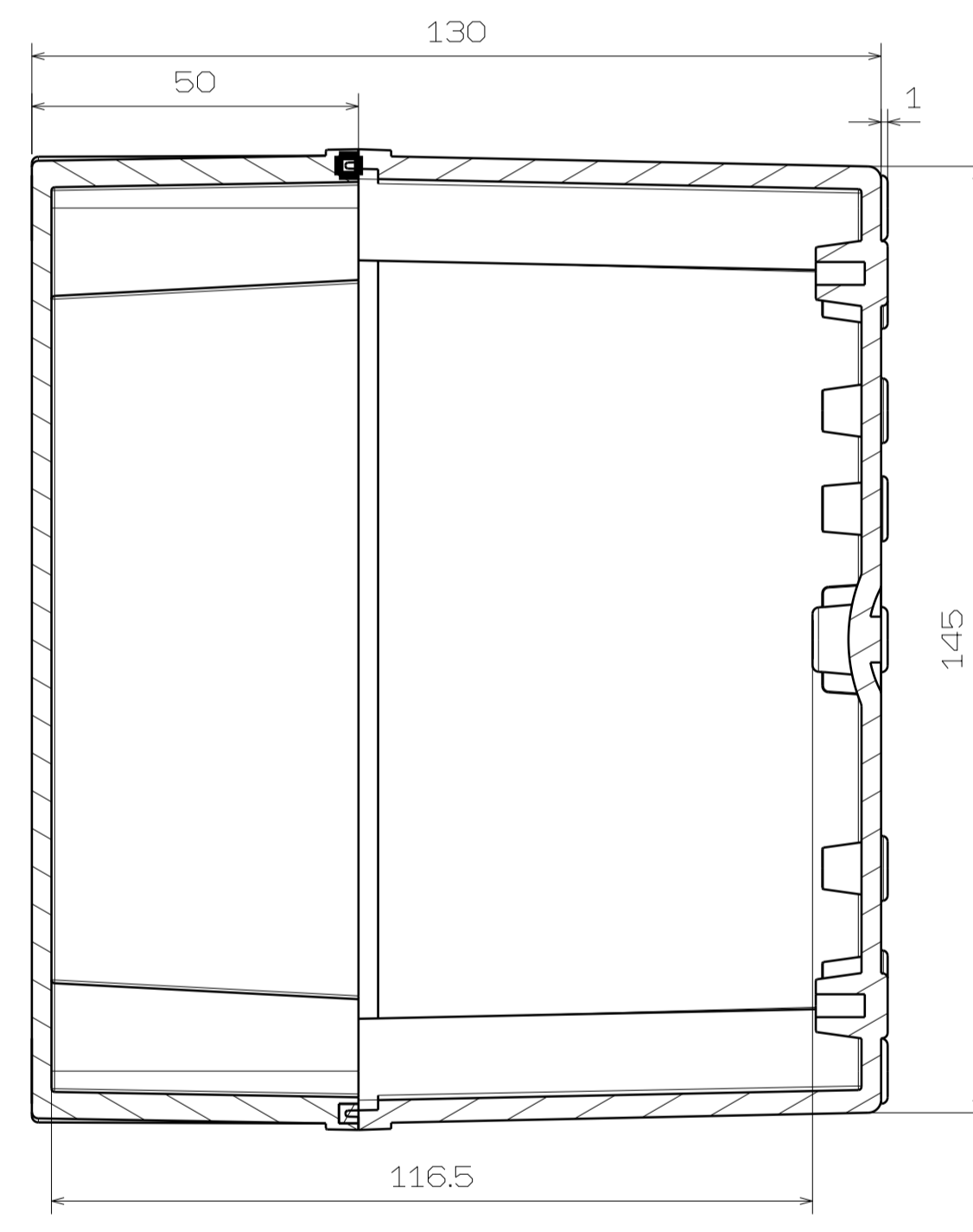
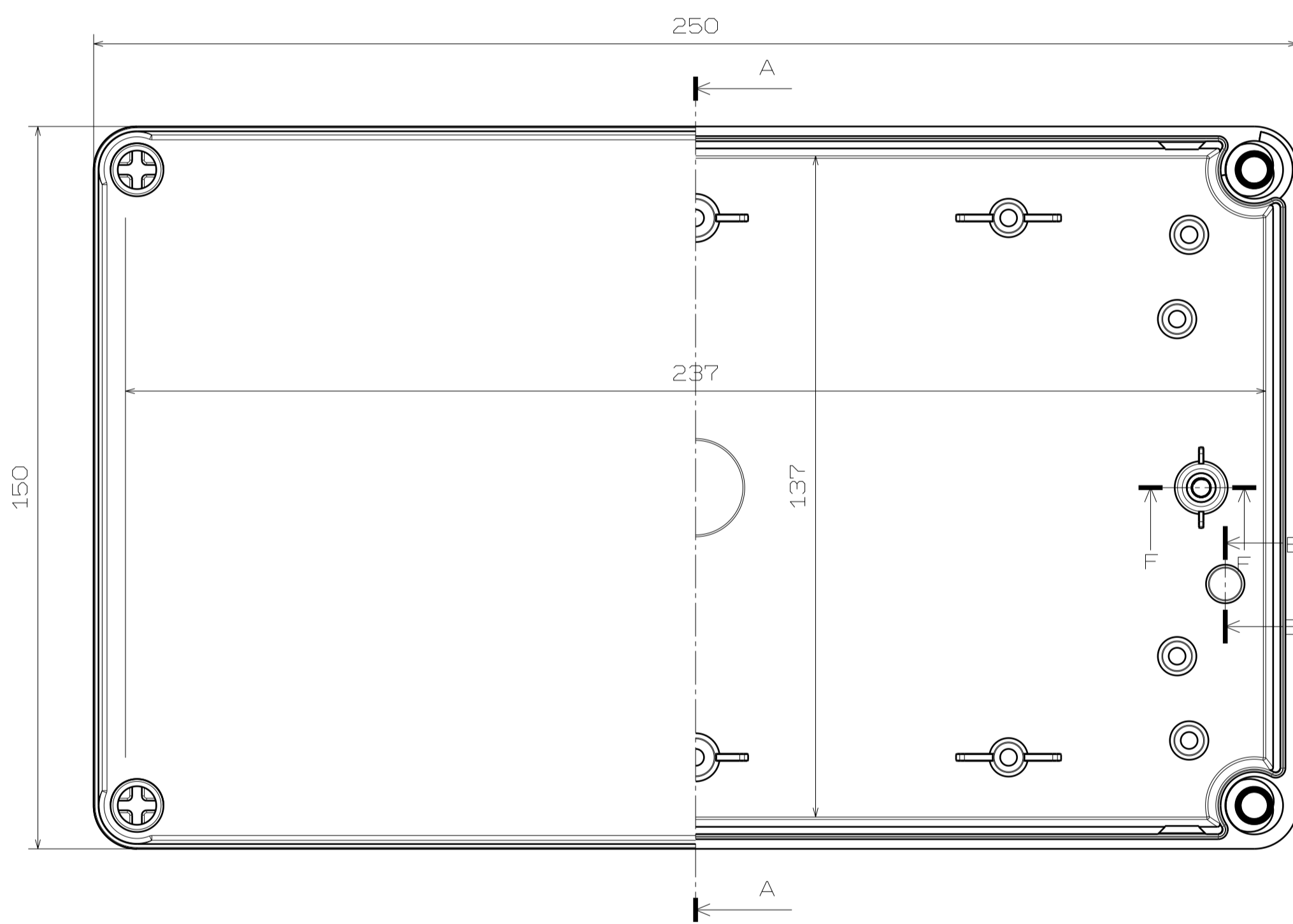
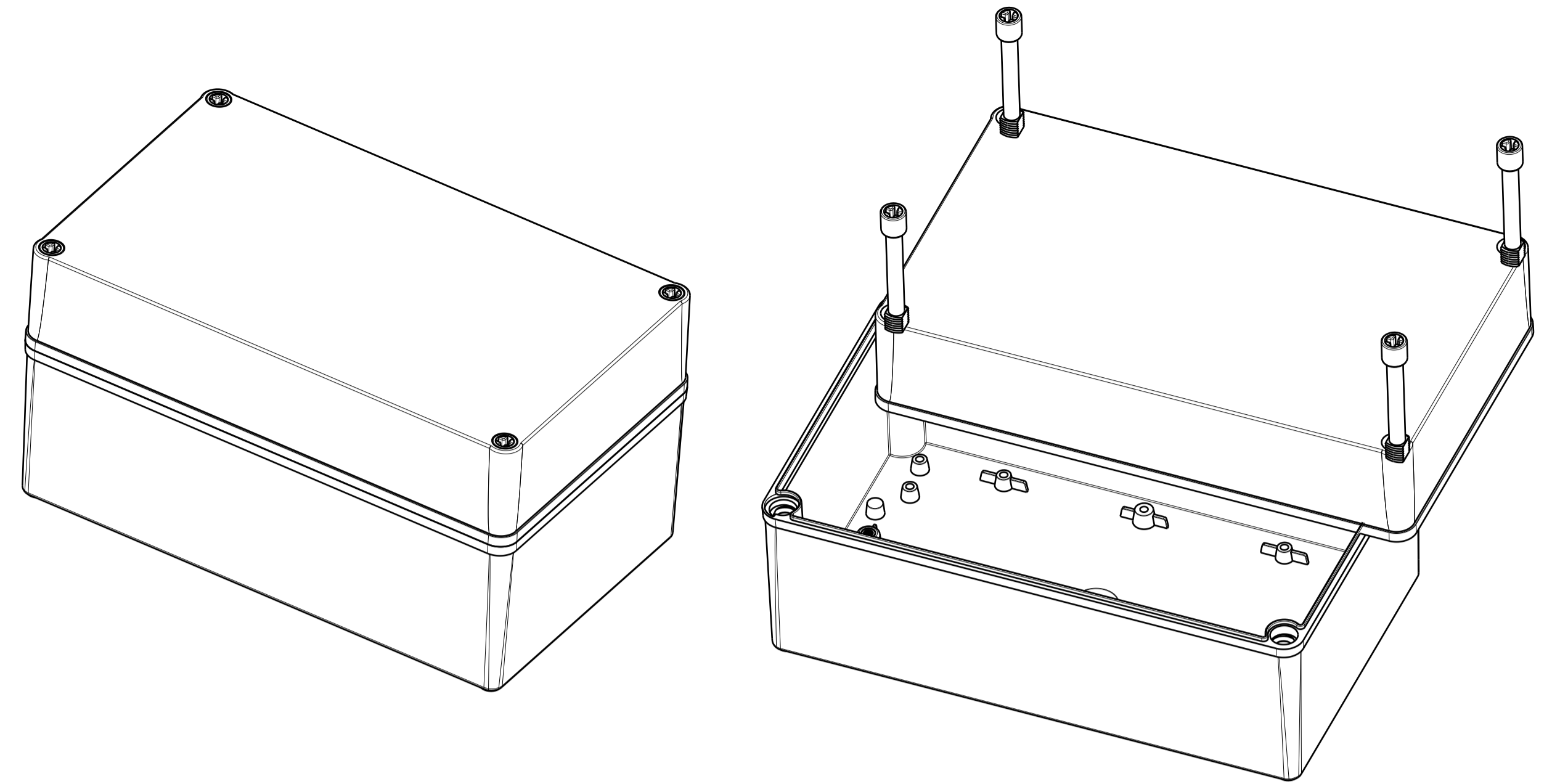


DS-XX-1525-1



COVER BOLT

