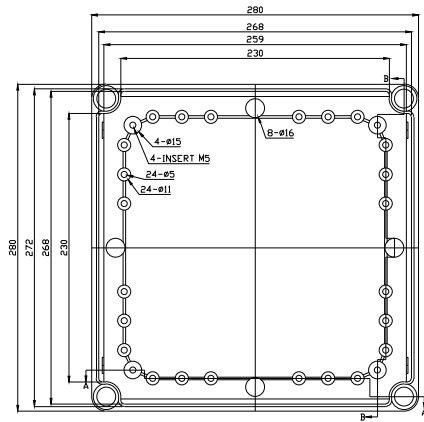
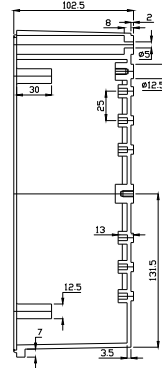


<BODY>

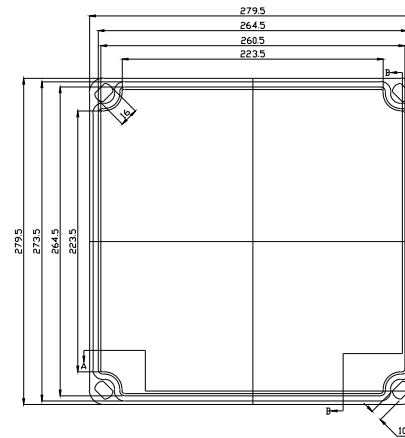
<COVER>



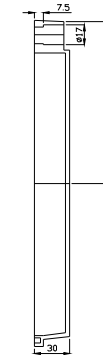
BODY-TOP



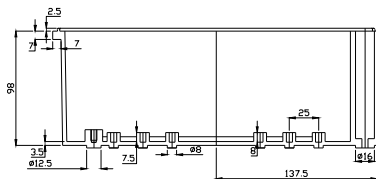
SECTION B-B



COVER-BOTTOM



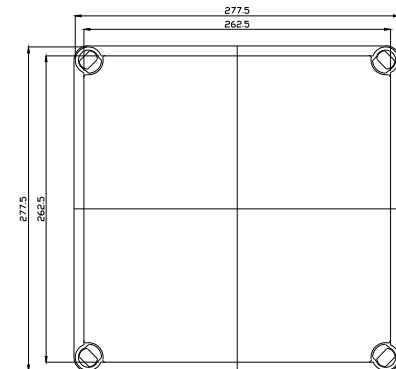
SECTION B-B



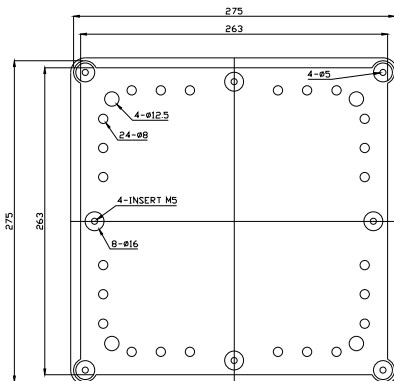
SECTION A-A



SECTION A-A



COVER-TOP



BODY-BOTTOM

NOTES:

1. A box includes 4 pcs of bolts.
2. Boxes designed to meet these standards:
TUV - IP 67 for all material
UL - Type 4X for PG/PT, PCG/PCT
ROHS & REACH compliant

Tolerance:

All dimensions have ± 1 mm

The information contained in this drawing is the sole property of DSE, Inc. Any reproduction in part or whole without the written permission of DSE, Inc. is prohibited.

PART NO.	MATERIAL		USE
	BODY	COVER	
DS-AG-2828	ABS	ABS	INDOOR
DS-AT-2828	ABS	CLEAR PC	INDOOR
DS-PG-2828	ABS / PC	ABS / PC	INDOOR
DS-PT-2828	ABS / PC	CLEAR PC	INDOOR
DS-PCG-2828	PBT / PC	PBT / PC	OUTDOOR
DS-PCT-2828	PBT / PC	CLEAR PC	OUTDOOR