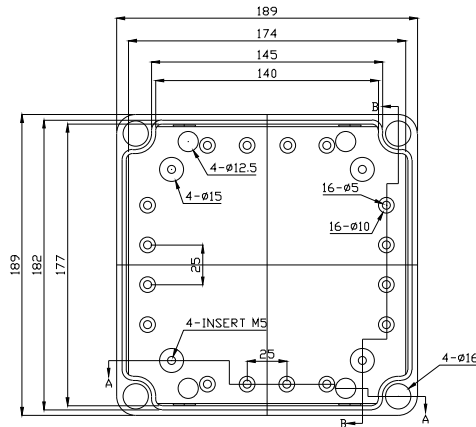
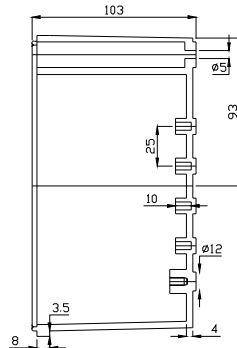


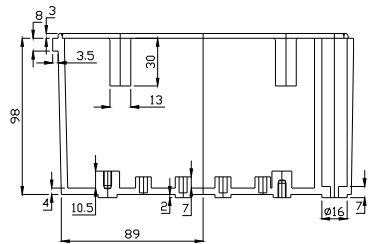
<BODY>



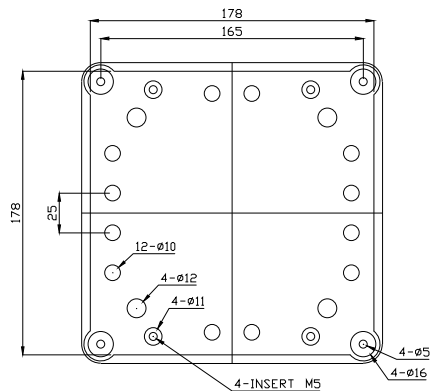
BODY-TOP



SECTION B-B

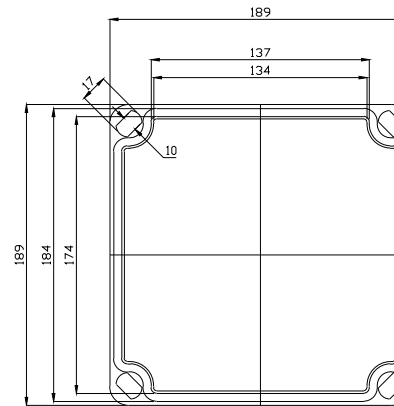


SECTION A-A



BODY-BOTTOM

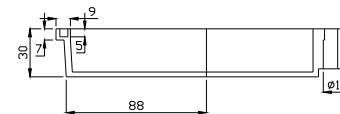
<COVER>



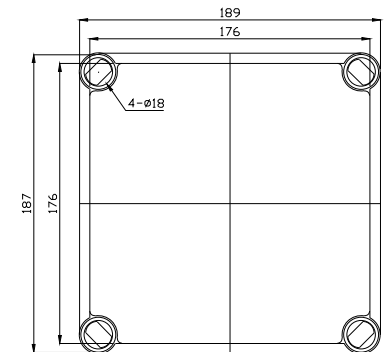
COVER-BOTTOM



SECTION B-B



SECTION A-A



COVER-TOP

NOTES:

- 1. A box includes 4 pcs of bolts.
- 2. Boxes designed to meet these standards:
 TUV - IP 67 for all material
 UL - Type 4X for PG/PT, PCG/PCT
 ROHS & REACH compliant

Tolerance:

All dimensions have ± 1 mm

The information contained in this drawing is the sole property of DSE, Inc. Any reproduction in part or whole without the written permission of DSE, Inc. is prohibited. DSE, INC.

PART NO.	MATERIAL		USE
	BODY	COVER	
DS-AG-1919	ABS	ABS	INDOOR
DS-AT-1919	ABS	CLEAR PC	INDOOR
DS-PG-1919	ABS / PC	ABS / PC	INDOOR
DS-PT-1919	ABS / PC	CLEAR PC	INDOOR
DS-PCG-1919	PBT / PC	PBT / PC	OUTDOOR
DS-PCT-1919	PBT / PC	CLEAR PC	OUTDOOR