

# GEM FOOT SWITCH



LINEMASTER® is pleased to present the one of a kind GEM foot switch series. This omnidirectional foot switch solution has a sleek design that makes actuation of the foot switch a breeze for

the end user. The robust die cast housing and polymeric material cover promote a long life without sacrificing looks. The GEM is seen widely in both the medical and industrial markets, most noticeably in the tattoo and electro-

surgical fields. Offered with a vinyl cover for environmental protection against limited amounts of fluids. This switch is a stylish and reliable choice for anyone. Only from LINEMASTER® - American made innovation at work.

LINEMASTER Switch Corporation  
Tel (860) 974-1000

29 Plaine Hill Road, P.O. Box 238

Woodstock, Connecticut 06281-0238 USA  
Fax (800) 974-FOOT(3668)

[www.linemaster.com/ds/gem/](http://www.linemaster.com/ds/gem/)

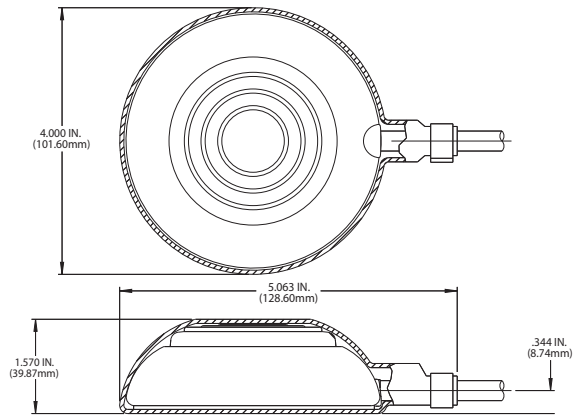
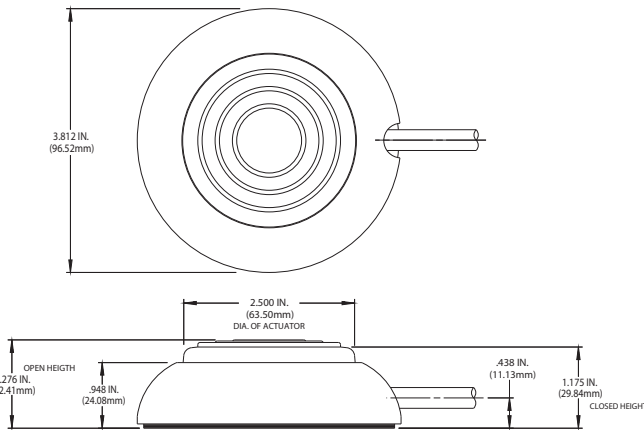
# GEM Foot Switch



This one of a kind switch is a true GEM

## FEATURES:

- Mounted in a chrome plated heavy zinc die cast housing.
- Full non-skid base pad.
- Round black plastic actuating cap.
- Moderate pressure from any direction operates the switch.
- A special vinyl cover gives added environmental protection against limited amounts of water.
- Special paint finishes available.
- Silk Screening is available.
- Special wiring channel with or without side protectors available.
- European type foot switch is offered pre-wired with 3 conductor cordset having brown, blue, and green/yellow colored leads. It is a momentary contact and wired normally open with green/yellow lead grounded to the switch base.
- (V series) weight = 1.00 lbs. (VK series) weight = 1.50 lbs.



## SPECIFICATIONS

Agency Approvals	EN 60529 Degree of Protection	Catalog Number	Description	Circuit	Form	Electrical Ratings
cUL <sub>us</sub>	IP21	GEM-VK3 <sup>1</sup>	Momentary / Vinyl Cover	SPST Wired N.O.	A	10 A 125 VAC 1/2 H.P. 125 VAC
cUL <sub>us</sub> CE	IP21	GEM-VK36 <sup>2</sup>	Momentary / Vinyl Cover	SPST Wired N.O.	A	10 A 125-250 VAC 1/2 H.P. 125-250 VAC
cUL <sub>us</sub> CE	IP20	GEM-VCEA <sup>3</sup>	Momentary	SPST Wired N.O.	A	10 A 125-250 VAC 1/2 H.P. 125-250 VAC
cUL <sub>us</sub> CE	IP20	GEM-V2	Momentary	SPDT	C	15 A 125-250 VAC 1/2 H.P. 125-250 VAC
cUL <sub>us</sub>	IP20	GEM-V3 <sup>1</sup>	Momentary	SPST Wired N.O.	A	10 A 125 VAC 1/2 H.P. 125 VAC
cUL <sub>us</sub> CE	IP20	GEM-V36 <sup>2</sup>	Momentary	SPST Wired N.O.	A	10 A 125-250 VAC 1/2 H.P. 125-250 VAC

<sup>1</sup> Supplied with a 6 ft. 18/3 cord and 3 prong series plug. Green lead grounded. <sup>2</sup> Supplied with 6 ft. 18/3 cord without plug. Green lead grounded. <sup>3</sup> Supplied with 2 meter 18/3 brown, blue & green/yellow leads.

[www.linemaster.com/ds/gem/](http://www.linemaster.com/ds/gem/)