

## AudioLarm II

MW-09-201-S



### More Information

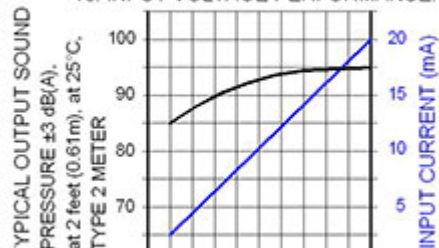
Warble Tone

 [Spec Sheet](#)

 [UL Recognized](#)

 RoHS Compliant

OUTPUT SOUND and CURRENT CONSUMPTION vs. INPUT VOLTAGE PERFORMANCE.



### Specifications

Revision: 7.15

Medium Loud Warble Tone; Extra Fast Rate; Panel Mount Case and Quick Connect Blades with Screws Termination

<b>Mounting:</b>	Panel Mount
<b>Operating Mode:</b>	Medium Loud Extra Fast Warble Tone
<b>Operating Voltage:</b>	30-120 Vac
<b>Operating Frequency:</b>	
<b>Typical Operating Current:</b>	5 mA at 30 Vac 20 mA at 120 Vac
<b>Typical Sound Pressure:</b>	85±5 dB(A), at 30 Vac, at 24 inches (61 cm), at 25°C 95±5 dB(A), at 120 Vac, at 24 inches (61 cm), at 25°C
<b>Termination:</b>	Quick Connect Blades with Screws
<b>Termination Strength:</b>	Pull test with a maximum of 22 pounds (10 kg) load
<b>Operating Temperature:</b>	-20_C to +65_C
<b>Storage Temperature:</b>	-40_C to +85_C
<b>Surge Voltage:</b>	20% over maximum rated voltage for less than 5 minutes
<b>Reverse Voltage Protection:</b>	To the maximum operating voltage
<b>Construction Materials:</b>	Internal Circuit- Audio-oscillator and piezoelectric driver Potting- 2 parts epoxy resin or silicone, black Diaphragm- Stainless Steel 304

### Gasket:

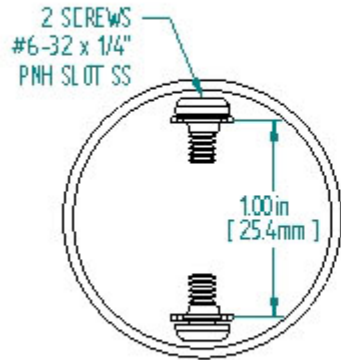
**Environmental Durability:** ASTM B117 Certified - Withstands exposure to salt spray for 300 hours  
IP 68 Certified - Withstands water submergence and dust exposure  
Humidity- 95% relative humidity at +40\_C continuously for 100 hours.  
Vibration- Withstands vibration between 0 and 55 Hz. on all axes.

**Life Expectancy:** 10 years under normal operating conditions.

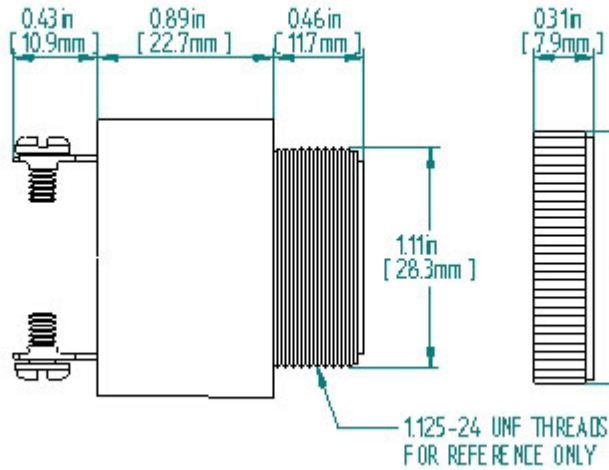
**Warranty:** For a period of two years from the date of manufacture under normal operating conditions.

**Dimensions**

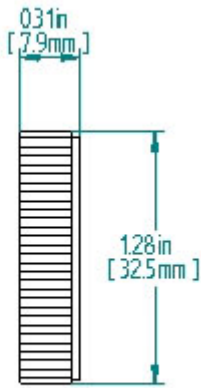
**REAR**



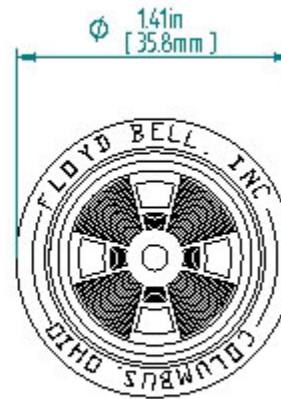
**SIDE**



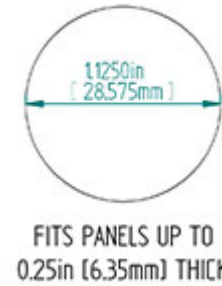
**RING**



**FRONT**



**PANEL MOUNTING**



TOLERANCES ARE: ±0.03 in.  
[±0.76mm]

**"S" TERMINALS**

