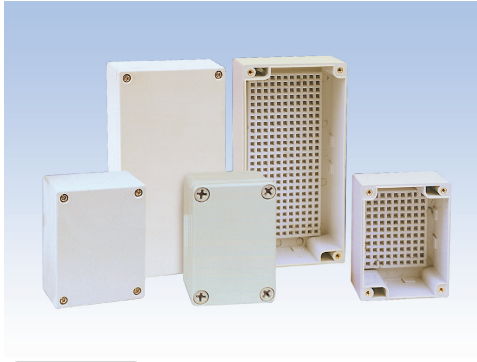


Unite Box

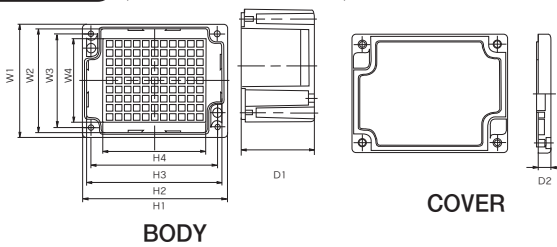
Plastic Panel Integrated Type – IP67



- Mounted with internal plastic panel, it can be used for Terminal block Box, Switches, meters and Control Box etc.
- The delivery-time of our products is promptly made from our own factory with low price and the diverse sizes also the accessories which make the consumer's satisfaction.

Part Number	Dimensions(mm)			INCH
	W	H	D	
PL-000-0609	65	95	56	3.74 × 2.56 × 2.20
PL-000-0709	70	90	50	3.54 × 2.76 × 1.97
PL-000-0816	85	165	50	6.50 × 3.35 × 1.97

Dimension (Allowable error: ± 1mm)



Model	Division				H1	H2	H3	H4	W1	W2	W3	W4	D1	D2
PL - 0609					95	89	79	72	65	59	50	42	40	15
PL - 0709					90	84	78	64.5	70	64	58	51.5	43.5	6.5
PL - 0816					165	159	153	139.5	85	79	73	62.5	43.5	6.5

Materials & Composition Table

A G

- Material:ABS
- Color: Gray

A T

- Material:Cover(PC), Body(ABS)
- Color: Cover(Clear), Body(Gray)

P G

- Material:AC Flammability
- Color: Gray

P T

- Material:Cover(PC), Body(AC)
- Color: Cover(Clear), Body(Gray)

P C G

- Material:POLYESTER
- Color: Gray

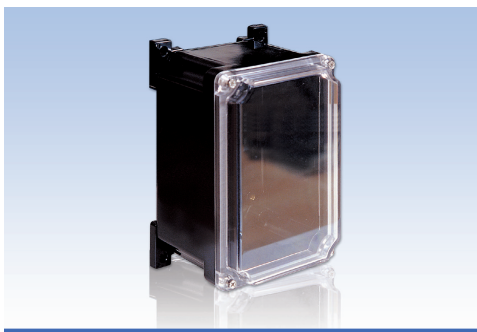
P C T

- Material:Cover(PC), Body(POLYESTER)
- Color: Cover(Clear), Body(Gray)

※Please refer to Material Information on Page 13.

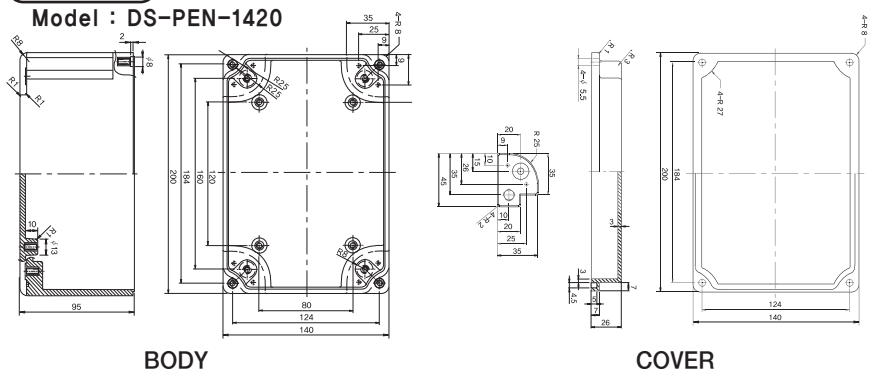
Phenol Box / Part Number : DS-PEN-1420

Phenol Box



Dimension (Allowable error: ± 1mm)

Model : DS-PEN-1420



- Thermosetting Resins Box to alternate Die cast Box.
- The revolution in a plastic box world.
- The ideal product under a high temperature and sparking working conditions.
- The new conceptual plastic box acquired the explosionproof. (Ex e II T4)
- Due to the special parking treatment, waterproof and dustproof. Protection of interior things is perfect.

■ INDOOR · OUTDOOR USE

- Body : PMD-A-300-305
- Cover : LEXAN 943-AR
- Color : Body(Black), Cover(Transparency)