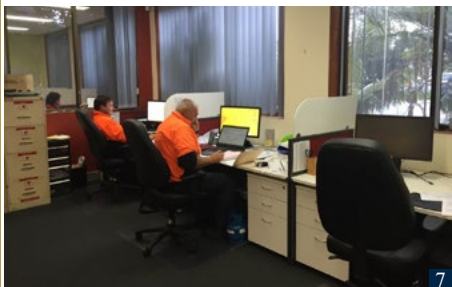
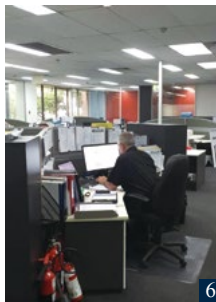
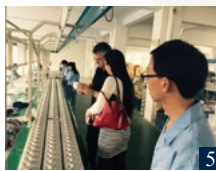


**We focus on Industrial, Commercial, Domestic products**



- IP66 Industrial Switchgear
- Enclosures/Portable power box
- Power accessories series





1 / 2 / Factory Outlet

3 / 4 / 5 / Production Lines

6 / 7 / Office



CB ISO9001:2000



## About Us Company Introduce

With Almost one decade's experience, our company is a leading manufacturer and exporter of waterproof ,weatherproof series industrial switchgear. Covers 15,500 square meters, automatic inject machines , assemble lines ,modern managing form factory, MYW having formed long term business relations with over 200 clients from 35 count-ries, our superior quality , reasonable price , timely delivery and excellent services ensure that we receive the high reputation from international.

The focus of MYW is to supply quality products: waterproof, weatherproof series industrial plug, socket, switch, enclosures, power box, molds tooling etc.

Mission Statement: Success through Customer Satisfaction.

In MYW Elec: we pride ourselves on reliable quality, better service and very competitive price ,our quality products can be found in Australia, Newzealand ,Fiji, New Guinea ,Asia , UK, Middle America and South America etc market.

Disclaimer: MYW industrial switchgear is in no way with Clipsal 56 series products.

---

## Contents

Industrial Switches / 01-03

Industrial Socket Outlets & Plugs / 04-09

Power Box / 10-16

Power Points & Accessories / 17-21

IP Ratings Chart / 23

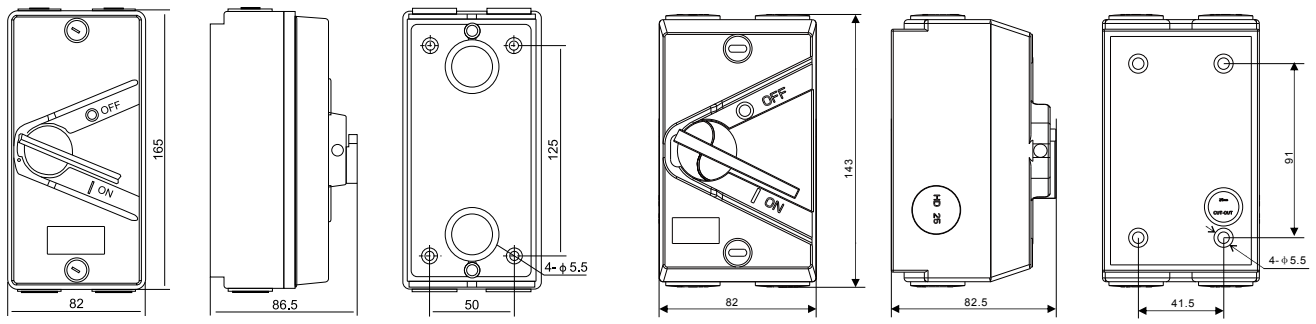
Approvals / 24



### Waterproof / Weather protected Isolating Switch

Voltage rating	240 - 500V AC
Frequency	50 - 60Hz
Pole(s)	1,2,3,4
Current rating(A)	20A/25A, 32A/35A, 63A
Degree of protection	IP66
Utilisation category	M120,M180,M220
Material	UV.VO.Original PC(Ploy Carbonate)
Cable size(Maximum)	25mm
Standard	IEC 947.3 AS/NZS3112 AS/NZS3123
Conduit Entry dimension	16/25mm

Part no.	Description
MF1-20/35/63	20A/35A/63A 1 pole isolator
MF2-20/35/63	20A/35A/63A 2 pole isolator
MF3-20/35/63	20A/35A/63A 3 pole isolator
MF4-20/35/63	20A/35A/63A 4 pole isolator
MIS1-20/35/63	20A/35A/63A 1 pole mini isolator
MIS2-20/35/63	20A/35A/63A 2 pole mini isolator
MIS3-20/35/63	20A/35A/63A 3 pole mini isolator



Dual 25mm screwed conduit entries top and bottom (up to 63 amp) allows four ways to surface wire the switch.



### Weatherproof Surface Switch

IP66 UV.VO.PC Material, AS/NZS3112  
Screwed entry.240V,16A/25A.

Part no.	Description
WSW1	240V 16A IP56 Weatherproof isolator 1 gang
WSW2	240V 16A IP56 Weatherproof isolator 2 gang

### Weatherproof Power outlet

IP53 UV.VO.PC Material, AS/NZS3112  
Screwed entry.240V,10A/15A  
16/25mm conduit entries  
Rear and side entry



Part no.	Description
MPP1H	240V 10A 1 gang power outlet
MPP2H	240V 10A 2 gang power outlet
MPP3H	240V 10A 3 gang power outlet
MPP1H-15	240V 15A 1 gang power outlet
MPP2H-15	240V 15A 2 gang power outlet
MPP3H-15	240V 15A 3 gang power outlet





### 250V Switches (M66SW110~M66SW250)

IP66's comprehensive range of 250V Switches ensures that there is always a suitable switch available for every single phase application.

### 500V Switches (M66SW310~M66SW350)

All IP66 extensive range of 500V Switches are fully motor rated to AC23 and AC3 making them suitable for switching the harshest loads likely to be found in industry.

UV. VO. PC material, Mounting Card enclosed, IP66

Double switch on mount base available: type as M66SW110-M66SW350/2

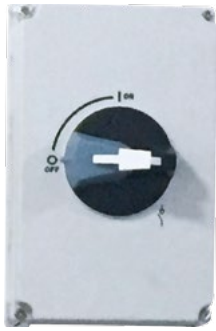
### 1, 2 and 3 Phase Switches 10A to 50A

Part no. Grey	Part no. Resistive Orange	Description
M66SW110/120	M66SW110/120-O(B)	1 pole 10/20A switch
M66SW132	M66SW132-O(B)	1 pole 32A switch
M66SW140/150	M66SW140/150-O(B)	1 pole 40/50A switch
M66SW210/220	M66SW210/220-O(B)	2 pole 10/20A switch
M66SW232	M66SW232-O(B)	2 pole 32A switch
M66SW240/250	M66SW240/250-O(B)	2 pole 40/50A switch
M66SW310/320	M66SW310/320-O(B)	3 pole 10/20A switch
M66SW332	M66SW332-O(B)	3 pole 32A switch
M66SW340/350	M66SW340/350-O(B)	3 pole 40/50A switch
M66SW410-432	M66SW410/432-O(B)	4P 10-32A switch
M66SW510-532	M66SW510/532-O(B)	5P 10-32A switch

### 3 Phase Changeover and Reversing Switches

Part no. Grey	Description
M66SW320C/O	3 pole 20A change over switch
M66SW332C/O	3 pole 32A change over switch
M66SW320F/R	3 pole 20A reversing switch
M66SW332F/R	3 pole 32A reversing switch





**Disconnectors**

Load isolation switch with 3-pole  
 With neutral and earthing points  
 4 cable holes of M16  
 8 cable holes of M20/N25

Material:PC  
 IP:IP65  
 Can be added with an interpole, M type auxiliary contact module

Type	Capacity (AMD)	Pole	Handle Color	Box Color
MP59305	16...40	3	Black	Grey
MP59405	16...40	3	Red	Yellow
MP59309	63...80	3	Black	Grey
MP59409	63...80	3	Red	Yellow
MP53300	16	3	Black	Grey
MP53400	16	3	Red	Yellow
MP53301	20	3	Black	Grey
MP53401	20	3	Red	Yellow
MP53302	25	3	Black	Grey
MP53402	25	3	Red	Yellow
MP53303	32	3	Black	Grey
MP53403	32	3	Red	Yellow
MP53304	40	3	Black	Grey
MP53404	40	3	Red	Yellow
MP53306	63	3	Black	Grey
MP53406	63	3	Red	Yellow
MP53308	80	3	Black	Grey
MP53408	80	3	Red	Yellow
MP53309	100	3	Black	Grey
MP53409	100	3	Red	Yellow



**Enclosure Lids(Covers)**

Mounting enclosure lids are moulded in UV,VO,PC.  
 All are 28mm high and supplied complete with sealing gasket.

**Option available**

Resistant Orange-add O to Cat. NO.e.G.M66L1 becomes M66L1-O.



Part no. Grey	Description
M66L1	1 module cover
M66L2	2 module cover
M66L3	3 module cover
M66L4	4 module cover
MCBC-4PN (CBC4PNLB)	1-4 pole module with neon indicator, less base
MCBC-6PN	6 pole module with neon indicator, less base
MCBC-8PN	8 pole module with neon indicator, less base

**500 Series IP66 Covers MOL**

Covers to suit any M66 500 Series module providing IP66 protection. Ideally suited for 500 Series switches, push buttons, dimmers and neon indicators



Part no. Grey	Description
M66MOL TIMER	Timer 17 program week/day/hour/minute
AHC15A	Timer 2pole digital
AHC808	Timer 1pole digital
11WRUPS	Voltage phase balance relay phase failure relay



### 110V-250V Socket Outlets

IP66 Series 110-250V Socket Outlets feature a parented transparent hinged flap which snaps shut and locks over the socket when the plug is withdrawn, forming an automatic IP66 seal. The flap is transparent so the pin configuration can be readily identified without opening. high impact rubber seal gasket available.  
UV. VO.PC material, Mounting Card enclosed

### 500V Socket Outlets

Socket units are standard 101x101 one gang module use with M66E series enclosures combining with other accessories in a larger enclosure.



M66SO 4200



### 1 Phase and 3 Phase Surface Socket outlets to 10A-400A

Part no. Grey	Part no. Resistive Orange	Description
M66SCA310	M66SCA310-O(B)	3 flat pin 10A socket outlet 250V auto switch
M66SCA315	M66SCA315-O(B)	3 flat pin 15A socket outlet 250V auto switch
M66SO310	M66SO310-O(B)	3 flat pin 10A socket outlet 250V
M66SO310/2	M66SO310/2-O(B)	3 flat pin 10A socket outlet twin 250V
M66SO313	M66SO313-O(B)	3 square pin 13A socket outlet 250V
M66SO315	M66SO315-O(B)	3 flat pin 15A socket outlet 250V
M66SO320	M66SO320-O(B)	3 round pin 20A socket outlet 250V
M66SO332	M66SO332-O(B)	3 round pin 32A socket outlet 250V
M66SO410	M66SO410-O(B)	4 round pin 10A socket outlet 500V
M66SO420	M66SO420-O(B)	4 round pin 20A socket outlet 500V
M66SO432	M66SO432-O(B)	4 round pin 32A socket outlet 500V
M66SO440	M66SO440-O(B)	4 round pin 40A socket outlet 500V
M66SO450	M66SO450-O(B)	4 round pin 50A socket outlet 500V
M66SO510	M66SO510-O(B)	5 round pin 10A socket outlet 500V
M66SO520	M66SO520-O(B)	5 round pin 20A socket outlet 500V
M66SO532	M66SO532-O(B)	5 round pin 32A socket outlet 500V
M66SO540	M66SO540-O(B)	5 round pin 40A socket outlet 500V
M66SO550	M66SO550-O(B)	5 round pin 50A socket outlet 500V
M66SO4200	M66S4200	5 round pin 200A socket outlet 500V IP67
M66SO4250	M66S4250	5 round pin 250A socket outlet 500V IP67
M66SO4400	M66S4400	5 round pin 400A socket outlet 500V IP67
M66SO5200	M66S5200	5 round pin 200A socket outlet 500V IP67
M66SO5250	M66S5250	5 round pin 250A socket outlet 500V IP67
M66SO5400	M66S5400	5 round pin 400A socket outlet 500V IP67

### RCD05

Application: RCD05 provides added personal protection against electrocution when using electrical equipment in adverse conditions such as building sites, plant applications, industrial manufacturing, where water presents a danger and rough handling is expected.

Can be used on portable applications and extension leads.

Universal-suitable for all countries of the world.

Designed to meet world standards.

### Technical specifications

Rated voltage: 230V AC

Rated current: 16A

Tripping Current: 10mA and 30mA available

Maximum tripping time: 30ms

Protection degree: IP 55

Standard: IEC61540 hd639S1

TUV GS CE PAHS approved

Flame retardant shell

Silicone rubber button against tear

The new MYW range of IP66 industrial switchgear and plug sets has been expanded and up graded from the previous range.  
 This range now includes resistive grey and orange units color  
 Features-  
 Strong and reliable PC material,IP66  
 Test standards:IEC947, AS/NZS3112 & AS/NZS3123  
 Interchangeable with similar productsUV. VO.PC material,Mounting Card enclosed

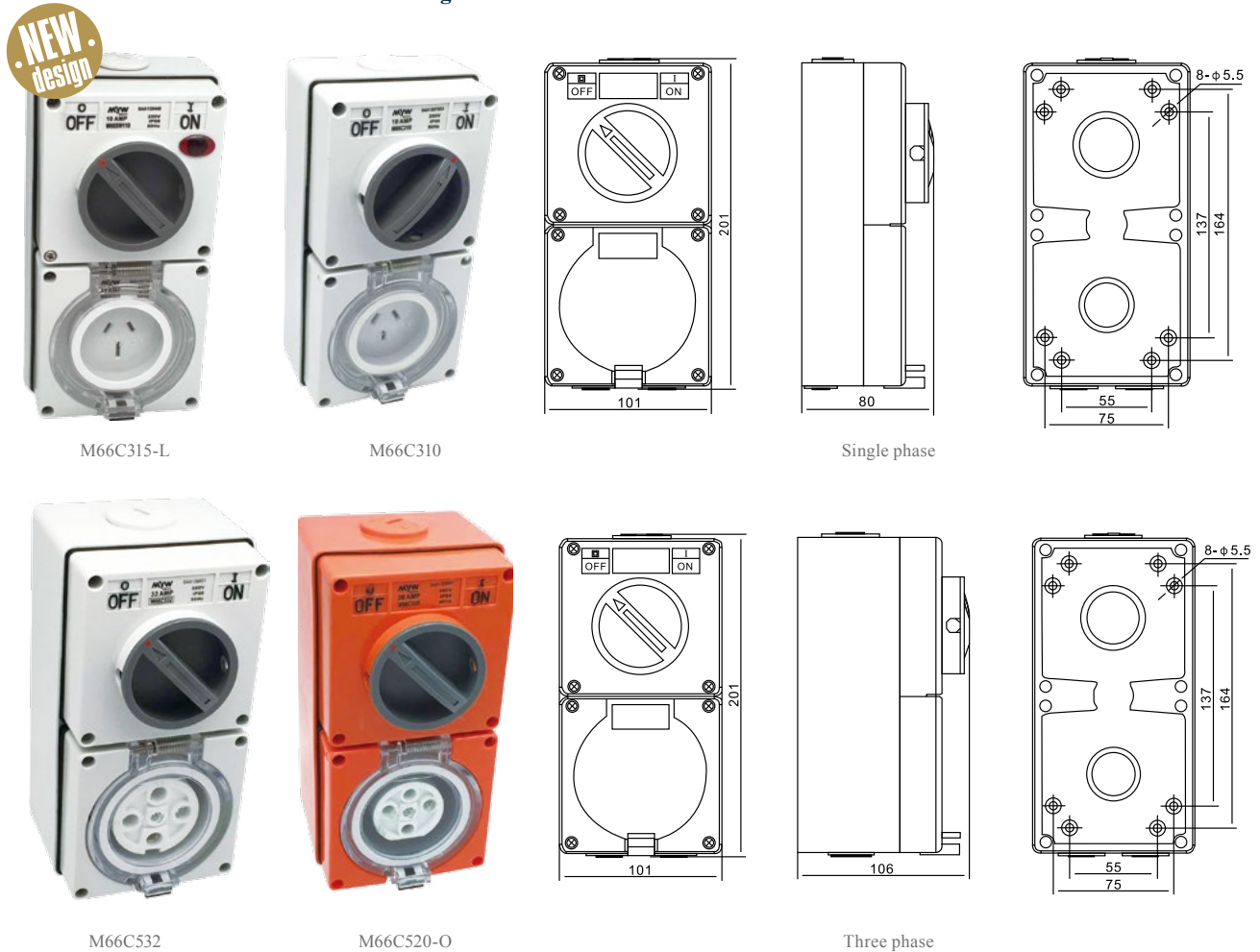


M66C532-B

**1 Phase and 3 phase Combination Switched Socket Outlets 10A to 50A - Grey and Resistive Orange Smoking grey (black)**

Part no. Grey	Part no. Resistive Orange + (black)	Description
M66C310	M66C310-O(B)	3 flat pin 10A switched socket outlet 250V
M66C315	M66C315-O(B)	3 flat pin 15A switched socket outlet 250V
M66C313	M66C313-O(B)	3 square pin 13A switched socket outlet 250V
M66C320	M66C320-O(B)	3 round pin 20A switched socket outlet 250V
M66C332	M66C332-O(B)	3 round pin 32A switched socket outlet 250V
M66C410	M66C410-O(B)	4 round pin 10A switched socket outlet 500V
M66C420	M66C420-O(B)	4 round pin 20A switched socket outlet 500V
M66C432	M66C432-O(B)	4 round pin 32A switched socket outlet 500V
M66C440	M66C440-O(B)	4 round pin 40A switched socket outlet 500V
M66C450	M66C450-O(B)	4 round pin 50A switched socket outlet 500V
M66C510	M66C510-O(B)	5 round pin 10A switched socket outlet 500V
M66C520	M66C520-O(B)	5 round pin 20A switched socket outlet 500V
M66C532	M66C532-O(B)	5 round pin 32A switched socket outlet 500V
M66C540	M66C540-O(B)	5 round pin 40A switched socket outlet 500V
M66C550	M66C550-O(B)	5 round pin 50A switched socket outlet 500V

**Diagram**



M66C315-L

M66C310

Single phase

M66C532

M66C520-O

Three phase



## Extension Socket

MYW's Single and Three Phase Extension Socket / Appliance Connector is an important design breakthrough. Now there is a common unit for both cord extension socket and appliance connector applications. All connectors have impact resistant, UV stabilised mouldings. (UV,VO material) The IP66 rating can be achieved when extension socket / connectors are used in conjunction with compatible accessories such as M66P Plugs, M66PA Plugs and M66A1 Appliance inlets. IP66 rated units feature a hose proof cap which maintains the international protection rating when the accessory is not being used.

**Note:** Cap prairie as standard with single phase extension sockets. Refer M66CSC310/15 Series for terminators to connect hose to non standard gland nut thread.  
Cable gland provide for top 10/20A,32A-400A  
Cable 2mm,4mm rubber of cable connecting  
Gland nut thread:23mm for 10/20A 37mm for 32A,200A,250A,400A

### 1 Phase and 3 Phase Extension Socket to 32A-400A

Part no. Grey	Description
M66CSC310	⊕ 3 flat pin 10A straight extension socket 250V
M66CSC315	⊕ 3 flat pin 15A straight extension socket 250V
M66CSC410	⊕ 4 round pin 10A straight extension socket 500V
M66CSC420	⊕ 4 round pin 20A straight extension socket 500V
M66CSC432	⊕ 4 round pin 32A straight extension socket 500V
M66CSC440	⊕ 4 round pin 40A straight extension socket 500V
M66CSC450	⊕ 4 round pin 50A straight extension socket 500V
M66CSC510	⊕ 5 round pin 10A straight extension socket 500V
M66CSC520	⊕ 5 round pin 20A straight extension socket 500V
M66CSC532	⊕ 5 round pin 32A straight extension socket 500V
M66CSC540	⊕ 5 round pin 40A straight extension socket 500V
M66CSC550	⊕ 5 round pin 50A straight extension socket 500V
M66CSC4200	⊕ 4 round pin 200A straight extension socket 400V
M66CSC4250	⊕ 4 round pin 250A straight extension socket 400V
M66CSC4400	⊕ 4 round pin 400A straight extension socket 400V
M66CSC5200	⊕ 5 round pin 200A straight extension socket 400V
M66CSC5250	⊕ 5 round pin 250A straight extension socket 400V
M66CSC5400	⊕ 5 round pin 400A straight extension socket 400V

### 10A 15A Plug and socket

Part no. Grey	Description
MP10	⊕ 10A 250V Plug ABS fireproof
FS10	⊕ 10A 250V Socket ABS fireproof
MP15	⊕ 15A 250V Plug ABS fireproof
FS15	⊕ 15A 250V Socket ABS fireproof
RSS10	⊕ 10A 250V Socket PC fireproof+ recess socket pc or abs
RSS15	⊕ 15A 250V Socket PC fireproof+ recess socket



M66CSC 420



M66CSC 432



M66CSC 5400



RSS10



RSS15

# IP66 Combinations RCD Protected Switched Socket Outlets



Combin+M66E6

## Modular System



Modular system-1 to12 gang arrangements to meet every inquiry

Captive stainless steel combination head fixings SS304/316 for corrosion resistance and effortless installation.

Flap springs closed to ensure IP rating is maintained.



Combinations+M66E3

### Modules Make Assembly Simple

From a single switch or socket, up to a full 12 gang station, the 101x101mm modular design allows customer builds and modifications to be made to suit a massive range of requirements.

- RCD protected switched socket outlets.
- Saves on mounting of RCD's in existing switchboards requiring up grades.
- IP66

M66E3SO520RCD	Combination switched outlet 5 pin 20A, c/w 4 pole 40A RCD
M66E4C510 RCD	Combination switched outlet 5 pin 10A, c/w 4 pole 40A RCD
M66E4C520RCD	Combination switched outlet 5 pin 20A, c/w 4 pole 40A RCD
M66E4C532RCD	Combination switched outlet 5 pin 32A, c/w 4 pole 40A RCD
M66E4C540RCD	Combination switched outlet 5 pin 40A, c/w 4 pole 40A RCD
M66E4C550RCD	Combination switched outlet 5 pin 50A, c/w 4 pole 40A RCD



M66P320



M66P440



M66P520



M66P532



M66P4200



M66PA432

### 250V Plugs

The M66 Series single phase plugs are available in 10A,13A,15A,20A and 32A Pin configurations to suit the Australia and New Zealand markets and in the British 13A square pin configuration, 200A-400A for healyduity. All plugs are IP66 IP67 rated.

### 500V Plugs

There plugs are all rated IP66 IP67 when fitted to a M66 Series Extension socket or Socket Outlet.The body section is transparent for quick and easy inspection of the terminals and cable entry. Plugs are available with 4 to 7 pins. 10A to 50A to cover most applications.

Cable grand available for the plug Top,M25 PA29,M40/50

Cable cord connector for 2mm,4mm rubber available

### 1 Phase and 3 Phase Surface Socket outlets 10A to 50A-400A

Part no. Grey	Description
M66P310	⊕ 3 flat pin 10A straight plug top 250V Grey/Red available
M66P315	⊕ 3 flat pin 15A straight plug top 250V Grey/Red available
M66P313	⊕ 3 square pin 13A straight plug top 250V
M66P320	⊕ 3 round pin 20A straight plug top 250V
M66P332	⊕ 3 round pin 32A straight plug top 250V
M66P410	⊕ 4 round pin 10A straight plug top 500V
M66P420	⊕ 4 round pin 20A straight plug top 500V
M66P432	⊕ 4 round pin 32A straight plug top 500V
M66P440	⊕ 4 round pin 40A straight plug top 500V
M66P450	⊕ 4 round pin 50A straight plug top 500V
M66P510	⊕ 5 round pin 10A straight plug top 500V
M66P520	⊕ 5 round pin 20A straight plug top 500V
M66P532	⊕ 5 round pin 32A straight plug top 500V
M66P540	⊕ 5 round pin 40A straight plug top 500V
M66P550	⊕ 5 round pin 50A straight plug top 500V
M66P4200	⊕ 4 round pin 200A straight plug top 400V
M66P4250	⊕ 4 round pin 250A straight plug top 400V
M66P4400	⊕ 4 round pin 400A straight plug top 400V
M66P5200	⊕ 5 round pin 200A straight plug top 400V
M66P5250	⊕ 5 round pin 250A straight plug top 400V
M66P5400	⊕ 5 round pin 400A straight plug top 400V

### 3 Phase angled plugs to 50A

Part no. Grey	Description
M66PA332	⊕ 3 round pin 32A angled plug top 250V
M66PA410	⊕ 4 round pin 10A angled plug top 500V
M66PA420	⊕ 4 round pin 20A angled plug top 500V
M66PA432	⊕ 4 round pin 32A angled plug top 500V
M66PA440	⊕ 4 round pin 40A angled plug top 500V
M66PA450	⊕ 4 round pin 50A angled plug top 500V
M66PA510	⊕ 5 round pin 10A angled plug top 500V
M66PA520	⊕ 5 round pin 20A angled plug top 500V
M66PA532	⊕ 5 round pin 32A angled plug top 500V
M66PA540	⊕ 5 round pin 40A angled plug top 500V
M66PA550	⊕ 5 round pin 50A angled plug top 500V



MSG10



MSG15



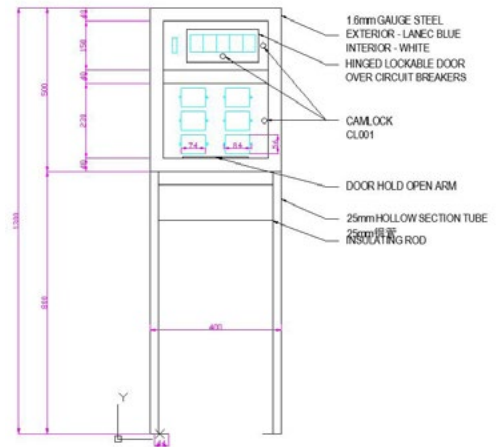
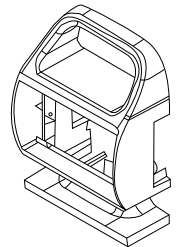
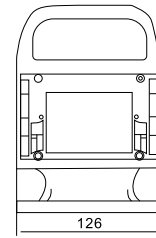
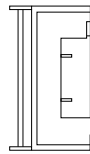
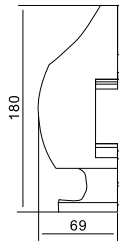
MSG10-N



### RCD Protected Portable Power Outlets

10A and 15A 240V 50Hz available, with indicate light  
 Single or dural Au approval power point IP53 IP54  
 RCBO 30mA protection, AC/A type  
 Max load: 2400W 10A & 3600W 15A  
 Lead: 1.5mm<sup>2</sup> flexible heavy duty cable @ 2M(10/15A), Au approved  
 Class H

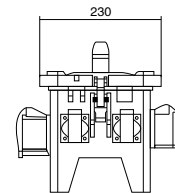
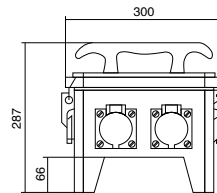
Part no. Grey		Description
MSG10	double	10Amp Portable Power Outlet, RCBO Protected 30mA
MSG15 MSG15-2	single/double	15Amp Portable Power Outlet, RCBO Protected 30mA
MSG10-N	double	DP 10Amp Portable Power Outlet, RCBO Protected 30mA
MSG15-N	double	DP 15Amp Portable Power Outlet, RCBO Protected 30mA
MS10		Portable power box for construction site



**MS portable power box**



1807



1806



1806



## Mounting Enclosures(Back Boxes)

All MYOW Mounting Back Boxes are moulded in UV stabilised rigid RC to facilitate gluing of fittings for conduit entry.

Ample conduit and cable entries are provided and there is plenty of wiring room for easy installation.

All screwed conduit entries are provided with plugs. The multigang enclosures feature moulded bridges between modules to ensure switches and sockets sit flush on a continuous surface. Moulded dividers are also available for multigang boxes to segregate services and are standard with 4,6,8,9, and 16 gang enclosures.

Each enclosure has a number of mounting points and 220/10 sealing plugs are provided to double insulate mounting screw heads and ensure the IP rating.

Moulded gaskets are supplied with switch and socket modules.

### Options Available

Resistant Orang - add O to Catalogue Number e.g.M66E2 becomes M66E2-O.

Smoking grey (black)

### Mounting Accessories

Stainless steel pole mounting bracket kit to suit M66E2, M66E3 and M66E4VH Modules.

Catalogue No M66PMK.

Stainless steel mounting feet suit all enclosures. Catalogue Number M66MF.



Terminal connector  
Metal DIN rail

Part no. Grey	Description	Dimensions (LxWxH)
M66E1	1 gang mouldle base	102x102x63mm
M66E2	2 gang mouldle base	198x102x63mm
M66ES2	2 gang mouldle base for single phase	197x102x38mm
M66E3	3 gang mouldle base	296x102x63mm
M66E4	4 gang mouldle base	198x198x63mm
M66E6	6 gang mouldle base	296x198x63mm
M66E8	8 gang mouldle base	396x198x63mm
M66E9	9 gang mouldle base	296x296x63mm



E1



E2



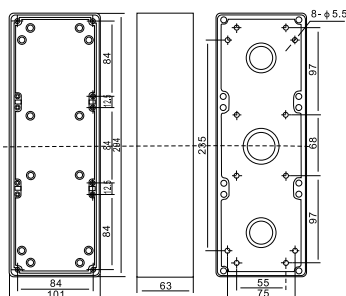
E4



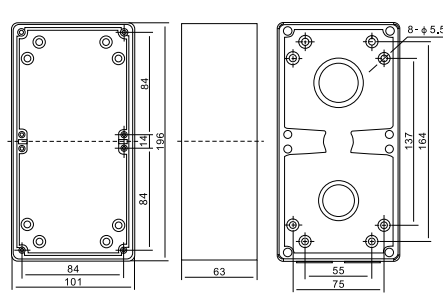
E6



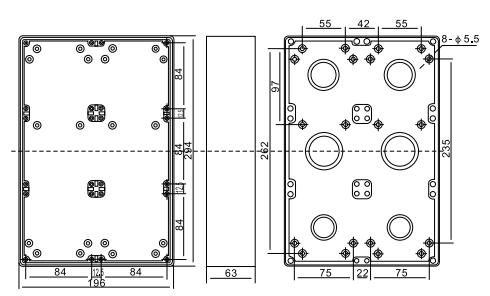
E9



M66E3



M66E2



M66E6

### Plastic Load Center IP42

#### Detailed Product Description

Distribution box, Plastic box & metal body with plastic cover

Type:MS, Surface distribution box-installed in the wall:

we have 4,6,8,12,18,24,36,45 ways

Material:According to different market,we supply 3kinds of materials:

PS plastic - Economical, ABS plastic - Substantial

ABS(VO) plastic - Safe ,it's Fireproof,UV,VO

IP level:IP40, from 4ways to 45ways

Copper terminal:single copper terminals double copper terminals (suitable for Australia market)



DB4-S



DB6-S



DB8-S



DB12-S



DB18-S



DB24-S



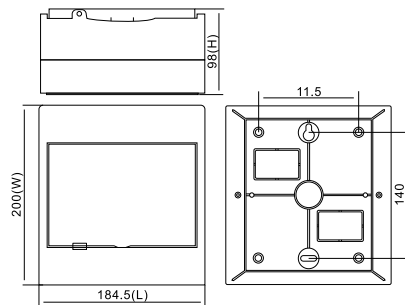
DB45-S

### Surface mount with transparent cover/White cover

Part no. Grey	Description
DB-4-S	4 Pole s/mount transparent/white cover MCB load center
DB-6-S	6 Pole s/mount transparent/white cover MCB load center
DB-8-S	8 Pole s/mount transparent/white cover MCB load center
DB-12-S	12 Pole s/mount transparent/white cover MCB load center
DB-18-S	18 Pole s/mount transparent/white cover MCB load center
DB-24-S	24 Pole s/mount transparent/white cover MCB load center
DB-36-S	36 Pole s/mount transparent/white cover MCB load center
DB-45-S	45 Pole s/mount transparent/white cover MCB load center

### Dimension of surface mounting type plastic distribution box

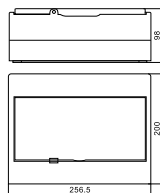
Specification	Dimension	L	W	H
DB-4-F		112	210	100
DB-6-F		148	210	100
DB-8-F		184	210	100
DB-12-F		256	210	100
DB-18-F		364	222	100
DB-24-F		270	325	100
DB-36-F		305	473	100



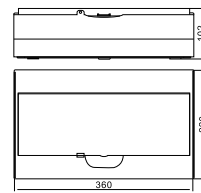
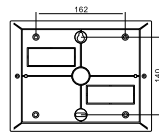
8 Pole



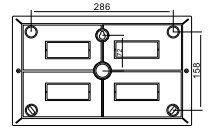
Plastic lock Metal lock



12 Pole

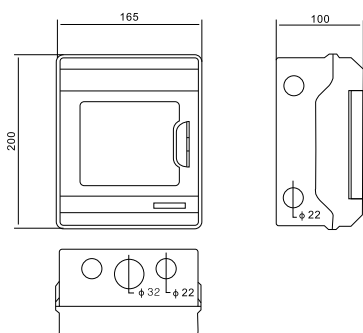


18 Pole

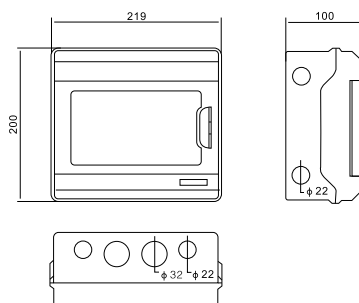


It is apply for special waterproof, dustproof and corrosion-proof location  
 Standard: IEC60529 EN 60309 IP65, ABS fireproof/UV,VO,PC material, single/double copperlink terminal available

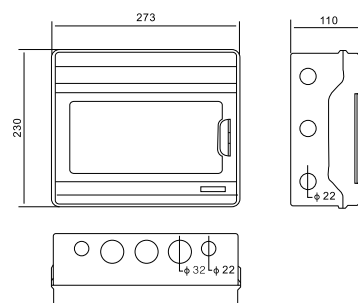
MS-6P



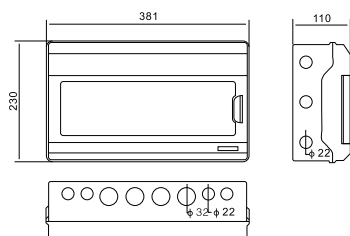
MS-8P



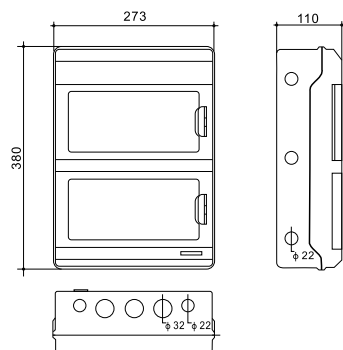
MS-12P



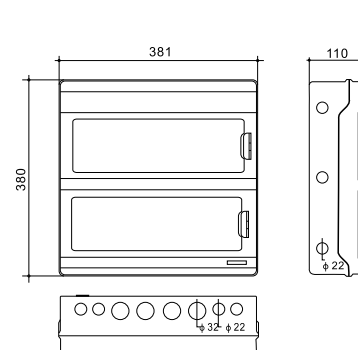
MS-18P



MS-24P



MS-36P



Waterproof,dustproof,anticorrosion,high-strength insulation, any open holes available according to the clients demands, completely specifications and easy assemble.  
standard:IEC60529,IP65. IP67 ,EN60309 , PC Material



**Bar socket device**

Size:330x80x51mm  
I:16A 230V 3pcs  
II:16A 230V 4pcs  
According to French, Belgian, Danish and Swiss Australia standard  
Order Code:I:1803 II:1804



**Combined A+B,A+A,B+A,B+B**

Size:340x260x180mm  
□:3xCEE 16A/32A  
□:3xIndustrial outlet 10-50A  
According to French, Belgian, Danish and Swiss Australia standard



**Combined A+B+B,A+B+B+B,A+A+B+B**

Size:490x260x180mm  
□:4x1P 10-15A waterproof Socket  
□:4x3P 10-15A waterproof Socket  
According to French, Belgian, Danish and Swiss Australia standard  
Three color selection for the enclosures



**Screwed PC series portable enclosure**

Size:290x150x400mm  
□:2x3P 10-15A waterproof Socket  
□:1x5P 32A waterproof Socket  
□:1x1.8M Wire and 5P 32A Waterproof plug  
According to French, Belgian, Danish and Swiss Australia standard  
Three color selection for the enclosures



**Combined outlet portable power box with trey**

Size:340x260x180mm  
□:2x1P 10-15A waterproof Socket  
□:2x3P 10-50A waterproof Socket  
According to French, Belgian, Danish and Swiss Australia standard  
Three color selection for the enclosures



**Portable power box**

3x10 or 15A Wall switch socket  
1x1.8m wire and 3P 15A Waterproof plug RCBO  
Size:150x100x530mm(h,w,d)



**Combined M66so520/2**

Size:201x101x80mm  
□:2x3P 10-15A waterproof Socket  
□:1x5P 32A waterproof Socket  
□:1x1.8M Wire and 5P 32A Waterproof plug  
According to French, Belgian, Danish and Swiss Australia standard  
Three color selection for the enclosures



**Combined socket outlets size**

Size:340x260x180mm  
□:2x1P 10-15A waterproof Socket  
□:2x3P 10-50A waterproof Socket  
According to French, Belgian, Danish and Swiss Australia standard  
Three color selection for the enclosures



**Heavy duty power box**

Mechanical interlocking.For mobile consumers of rated current >125A we have included a heavy duty range with 200A,250A and 400A in our program. this can be supplied for rated voltages of 230V to 1000V and in seawater resistant version.  
The heavy duty range is suitable for use in very harsh conditions, e.g. building sites.



Mounting enclosure lids are moulded in UV,VO,PC,ABS.  
All are 28mm high and supplied complete with sealing gasket.



**MCB Enclosures**

Part no. Grey	Description
MPE1	1 Pole MCB enclosure
MPE2	2 Pole MCB enclosure
MPE4	4 Pole MCB enclosure
MPE6	6 Pole MCB enclosure
MPE8	8 Pole MCB enclosure



screwed type	Description (LxWxH)
MG10-11	80 x 110 x 70
MG10-12	80 x 130 x 70
MG10-13	80 x 180 x 70
MG10-14	80 x 250 x 70
MG10-15	220 x 340 x 150
MG10-16	400 x 300 x 150
MG10-17	320 x 300 x 100
MG10-18	540 x 360 x 100
MG10-19	200 x 300 x 170



300x200x170mm  
hinge type



400x300x170mm

A.B.C  
250x360x150  
350x460x180  
190x280x130



500x400x200mm



300x200x170mm



400x300x170mm



500x400x200mm



300x400x160mm



300x520x160mm



360x540x180mm

### RGT SERIES WEATHERPROTECTED BOX

Metal enclosures made from a continuous length of sheet steel double folded at the front, with back welded to the frame. Both externally and internally protected with polyester epoxy resin Grey paint to RAL-7032 texturized. New series GRT KT with transparent security glass door. Welded studs on the back for direct fixing of mounting plate or other accessories perforated door reinforcement profiles allowing fixing of equipment, Concealed and easily removable hinges allowing over 120 door opening. Foamed-in polyurethane gasket and front raingutter ensures high degree of protection.



External dimensions(mm) height width depth (A) (B) (C)			enclosures						approx weight (kg)	mounting plates			Dinimel	19"RAC internal
Reference	reference with glazed door	flange fig. opening type			D	metal	isul.	perforated		Mounting plate adjustable supports				
250	200	150	RGT-2520/150	-	1	0	125	3,2	●	●				
300	250	150	RGT-3025/150	RGT-3025/150KT	1	A	150	4,2	●	●	●	●		
300	250	200	RGT-2520/200	RGT-2520/200KT	1	A	150	4,9	●	●	●	●	●	
300	300	150	RGT-33/150	RGT-33/150KT	1	B	150	5	●	●	●	●		
300	300	200	RGT-33/200	RGT-33/200KT	1	B	150	6	●	●	●	●		
400	300	150	RGT-43/150	RGT-43/150KT	1	B	200	6	●	●	●	●	○	
400	300	200	RGT-43/200	RGT-43/200KT	1	B	200	6,8	●	●	●	●	○	●
400	400	200	RGT-44/200	RGT-44/200KT	1	C	200	8	●	●	●	●		
400	600	250	RGT-46/250	RGT-46/250KT	1	D	200	10	●	●	●	●		●
400	600	300	RGT-46/300	RGT-46/300KT	1	D	200	11,2	●	●	●	●		●
500	400	150	RGT-54/150	RGT-54/150KT	1	C	125	8,7	●	●	●	●	○	
500	400	200	RGT-54/200	RGT-54/200KT	1	C	125	9,8	●	●	●	●	○	●
500	400	250	RGT-54/250	RGT-54/250KT	1	C	125	11	●	●	●	●	○	●
500	500	250	RGT-55/550	RGT-55/550KT	1	D	125	12,8	●	●	●	●		
600	400	150	RGT-64/150	RGT-64/150KT	1	C	125	9,3	●	●	●	●	○	
600	400	200	RGT-64/200	RGT-64/200KT	1	C	125	10,8	●	●	●	●	○	●
600	400	250	RGT-64/250	RGT-64/250KT	1	C	125	12,3	●	●	●	●	○	●
600	500	150	RGT-65/150	RGT-65/150KT	1	D	125	11,3	●	●	●	●		
600	500	200	RGT-65/200	RGT-65/200KT	1	D	125	14,3	●	●	●	●		
600	500	250	RGT-65/250	RGT-65/250KT	1	D	125	16,3	●	●	●	●		
600	600	250	RGT-66/250	RGT-66/250KT	1	D	125	18,2	●	●	●	●		●
600	600	300	RGT-66/300	RGT-66/300KT	1	D	125	19,8	●	●	●	●		●
700	500	200	RGT-75/200	RGT-75/200KT	1	D	125	17,3	●	●	●	●	○	●
700	500	250	RGT-75/250	RGT-75/250KT	1	D	125	19,3	●	●	●	●	○	●
800	600	200	RGT-86/200	RGT-86/200KT	1	D	125	21,8	●	●	●	●	○	●
800	600	250	RGT-86/250	RGT-86/250KT	1	D	125	24,8	●	●	●	●	○	●
800	600	300	RGT-86/300	RGT-86/300KT	1	D	125	26,3	●	●	●	●	○	●
800	800	200	RGT-88/200	RGT-88/200KT	2	E	125	29,5	●	●	●	●		
800	800	300	RGT-88/300	RGT-88/300KT	2	E	125	32,5	●	●	●	●		
1000	600	250	RGT-106/250	RGT-106/250KT	1	D	125	28,4	●	●	●	●		●
1000	600	300	RGT-106/300	RGT-106/300KT	1	D	125	30,6	●	●	●	●		●
1000	800	250	RGT-108/250	RGT-108/250KT	2	E	125	34,5	●	●	●	●	○	●
1000	800	300	RGT-108/300	RGT-108/300KT	2	E	125	37,4	●	●	●	●	○	●
1000	1000	300	RGT-1010/300	-	2	F	-	46,7	●	●	●	●		
1200	800	300	RGT-128/3000	RGT-128/3000KT	2	F	-	44,8	●	●	●	●		
1200	1000	300	RGT-1210/300	RGT-1210/300KT	2	F	-	53,4	●	●	●	●		
700	580	230												
1200	580	230												
1500	580	230												
1800	580	230											●	○

\*Weight of enclosures with plain door \*\*Enclosures with three point locking system.

## DB (plastic) for new zealand

### Features

With standard of AS3439.3  
 960°UV stop ABS on body and V0 retardant PC on transparent lids.  
 Neutral & Earth terminal link bars assembled  
 Preformed cables or Flexible wires connected on correct terminals  
 Live busbar assembled for necessary MCBs fitting  
 With quart turn plastic screws easy to open and close the front cover  
 IP40 standard suit to indoor use only

Model	Description
DB12-N	MS 100A/RCD 63A Split Load + 8 Outgoing ways
DB20-N	MS 100A/RCD 63A Split Load + 16 Outgoing ways
DB30-N	MS 100A+4 RCBO Outgoing 2×RCD 6 3A + 24 Outgoing ways
DB40-N	MS 100A+4 RCBO Outgoing 2×RCD 6 3A + 34 Outgoing ways

### Diagram



DB12-N



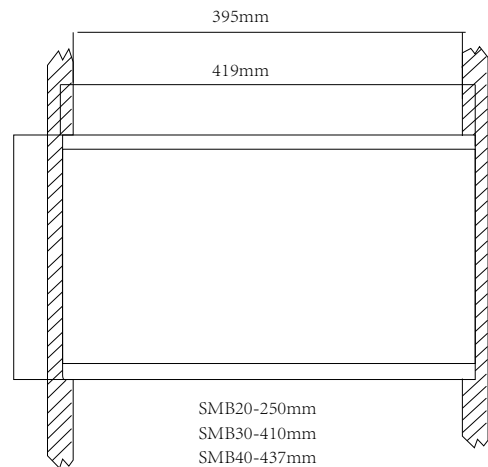
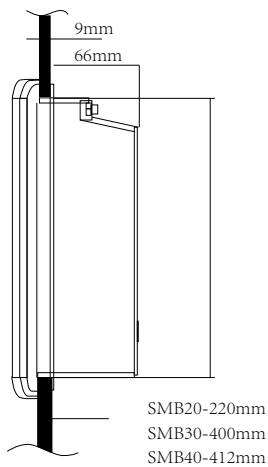
DB20-N














DB30-N



DB40-N



	<b>AS302-V</b> 1G switch
	<b>AS305-V</b> 20A 1G switch 10A/16A/20A/35A mech available
	<b>AS303-V</b> 1G 3way switch intermedia mech
	<b>AS304-V</b> 2G switch
	<b>AS306-V</b> 3G switch
	<b>AS308-V</b> 4G switch
	<b>AS310-V</b> 5G switch
	<b>AS312-V</b> 6G switch
	<b>AS313-V</b> 10A vertical single powerpoint
	<b>AS314-V</b> 10A vertical single powerpoint DP
	<b>AS313U-V</b> 10A USB vertical single powerpoint

	<b>AS315-V</b> 10A vertical double powerpoint
	<b>AS316-V</b> 10A vertical double powerpoint DP
	<b>AS315N-V</b> 10A vertical double powerpoint W/Neon
	<b>AS320-V</b> 1G TV socket
	<b>AS320S-V</b> 1G satellite socket
	<b>AS323-V</b> 1G TEL socket
	<b>AS324-V</b> 1G data socket
	<b>AS325-V</b> 2G TEL socket
	<b>AS326-V</b> 2G data socket
	<b>AS328-V</b> Dimmer switch
	<b>AS329-V</b> Fan speed controller
	<b>AS315-N</b>





**AS302**  
1G switch  
**AS305**  
20A 1G switch



**AS303**  
1G 3way switch



**AS304**  
2G switch



**AS306**  
3G switch



**AS308**  
4G switch



**AS310**  
5G switch



**AS312**  
6G switch



**AS313**  
10A horizontal single powerpoint



**AS317**  
horizontal single powerpoint DP



**AS335**  
15A horizontal single powerpoint



**AS313U**  
10A USB horizontal single powerpoint  
1.0A USB  
2.1A USB



**AS320-N**  
20A, 3pin, flat power point



**AS314**  
10A horizontal single powerpoint  
with extra switch



**AS315**  
10A horizontal double powerpoints



**AS337**  
15A horizontal double powerpoints



**AS318**  
10A horizontal double powerpoints DP



**AS316**  
10A horizontal double powerpoints  
with extra switch



**AS320**  
1G TV socket



**AS320S**  
1G satellite socket



**AS322**  
TV socket+Tel socket



**AS322**  
TV socket+Tel socket



**AS323**  
1G TEL socket



**AS324**  
1G data socket



**AS325**  
2G TEL socket



**AS326**  
2G data socket



**AS328**  
Dimmer switch



**AS329**  
Fan speed controller



**AS327**  
Blank plate



**ASF/ASF-G/S/B**  
Frame



**AS302S-V**  
**AS304S-V**  
**AS306S-V**  
**AS308S-V**



1 gang touchable switch(new design)  
2 gang touchable switch(new design)  
3 gang touchable switch(new design)  
4 gang touchable switch(new design)



**AS315-USB×1**



**AS315-USB×2**



**WPGP04**  
4 gang power point



**WPGP04-B**



**WPGP04N**  
4 gang power point with indicate light



**4 gang mounting plate**



**Motor starter plate-Black/White**



**Bull nose down**



**Bull nose up**



**AS001/AS002/AS003**  
10A switch Mech  
16A switch Mech  
35A switch Mech



**AS002/intermedia mech**  
10A 3 way switch Mech



**DM500/DM400**  
normal/LED dimmer mech



**LIGHT, FAN, HOB, OVEN, HEAT  
switch mech**  
10A/16A/32A



**AS007**  
4 Core tel Mech



**AS008**  
8 Core data CAT6 Mech



**AS009**  
TV socket



**U82R/83F/U33W**  
TV mech  
TV mech(blue)



**413QC**  
Quick connector



**PB1/PB2**  
10A/15A surface socket



**BHO/BH1**  
Lamp holder/with bracket



**U86-B**  
AV Jack



**511001**  
HDMI socket



**51913602**  
USB 1.0A socket  
USB 2.1A socket



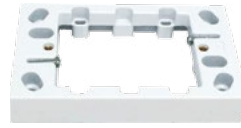
**UK Series**  
Terminal connector



**JBS**  
Small junction box with parts  
Size:69×69×40mm



**JBM**  
Large junction box with parts  
Size:99.5×70×48mm



**MB18**  
18mm mounting block



**MB34**  
34mm mounting block



**AS/NZS Earth ROD**  
warning plate, tag



**MT005**  
stud metal bracket 1.0mm



**Nylon/Metal Cable Grand 12-63 mm**



**M66T1**      **M66T2**  
Single terminal connector      Double terminal connector



**RCD link**



**longer screw 3.5×50mm**



**MT008**  
C clip(plaster U shape)



**MT009 series**  
Half saddle / full saddle  
16Mm 20mm 25mm 32mm 40mm 50mm 63mm



**MT012 series**



**push button LED Series AD60-20 series**  
**LA139 series**



**RCBO MDZL-32**  
1P 4.5KA AC/A-type  
C10/C16/C20/C25/C32



**RCBO DL-40**  
1P 6KA AC/A-type  
C10/C16/C20/C32



**RCD PID-63**  
2P 30mA 100mA AC/A-type  
C40/C63



**RCD MYW-63**  
4P 30mA 100mA AC/A-type  
C40/C63



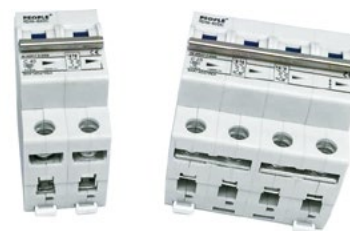
**MCB/RCD MYW-32**  
2P 4.5KA AC/A-type  
C10/C16/C20/C25/C32



**MCB DL-63**  
10KA 1P/2P/3P/4P  
C10/C16/C20/C25/C32



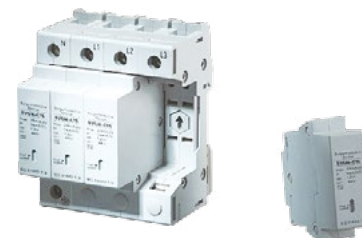
**MCB PL-100**  
10KA 1P/2P/3P/4P AC/DC  
C6/C10/C16/C20/C32/C40/C50/C63



**MCB DZ47-63**  
6KA 1P/2P/3P/4P  
C6/C10/C16/C20/C32/C40/C50/C63



**Main switch PH2-100**  
6KA 1P 2P 3P 4P  
C63 C100



**Surge Protech Device SUV4**  
1P/2P/3P/4P  
SUV4-10/60KA



**ASC1-20/63/100**  
1P/2P/3P/4P  
10A/20A/32A/63A/100A



**Fuse/Fuse Carrier SC32**  
6-32A



**Transformer**  
75A 100A 200A 300A 400A 500A 600A  
240v input  
12/24v output



# DEGREES OF PROTECTION

Degrees of protection provided by enclosures(IP code)in compliance with IEC529,EN60529,CEI70-1,BS5490,DIN 40050 and NFC 20010 standards.according to these standards,the degree of protection IP may be used exclusively with the two characteristic numerals and with the additional letters provided for by the standards having the following meanings:

## 1st CHARACTERISTIC NUMERAL

Protection of persons against access to hazardous parts(see also ADDITIONAL LETTER)and protection of equipment against the ingress of solid foreign objects,

IP	Solid foreign objects	Access to hazardous parts	
0			Non-protected
1			Protected against solid objects larger than 50mm (e.g., accidental contact with hand)
2			Protected against solid objects larger than 12.5mm (e.g., fingers)
3			Protected against solid objects larger than 2.5 mm (e.g., tools, wires)
4			Protected against solid objects larger than 1mm (e.g., fine tools and small wires)
5			Protected against dust(no harmful deposits)
6			Completely protected against dust(dust-tight)

## 2nd CHARACTERISTIC NUMERAL

Protection of equipment against ingress of water harmful effects.

IP	Tests	
0		Non-protected
1		Protected against vertically falling water drops
2		Protected against vertically falling water drops at up to 15° from the vertical
3		Protected against spraying water at up to 60° from the vertical(rain)
4		Protected against sprashing water from all directions
5		Protected against jets of water from all directions
6		Protected against jets of water similar to heavy seas
7		Protected against the effects of immersion
8		Protected against the effects of submersion

## ADDITIONAL LETTER

To be used only if the protection of persons against access to hazardous parts is higher than that of equipment against ingress of solid objects indicated by the first characteristics numeral.

Letter		Significance
A		Protected against access with the back of the hand. The access probe, sphere of 50 mm Φ, shall have adequate clearance from hazardous parts.
B		Protected against access with a finger. The jointed test finger of 12 mm Φ, 80 mm length, shall have adequate clearance from hazardous parts.
C		Protected against access with a tool. The access probe of 2.5 mm Φ, 100 mm length, shall have adequate clearance from hazardous parts.
D		Protected against access with a wire. The access probe of 1.0 mm Φ, 100 mm length, shall have adequate clearance from hazardous parts.

## SUPPLEMENTARY LETTER

Used to supply additional information about the material.

Letter	Significance
H	High-voltage apparatus
M	Tested for harmful effects due the ingress of water when the movable parts of the equipment (e.g. the rotor of a rotating machine) are in motion
S	Tested for harmful effects due to the ingress of water when the movable parts of the equipment (e.g. the rotor of a rotating machine) are stationary
W	Suitable for use under specified weather conditions and provided with additional protective features or processes

**SAA**  
APPROVALS®

**Certificate of Approval**

**Certificate No.:** SAA130194  
**Date of Issue:** 1 February 2013

**Certificate Holder:** HWY Pty Ltd  
Unit 502, 100 Plenty Road  
Preston VIC 3072  
Australia

**Class Description:** Non-Declared  
**Product Description:** Socket-Outlet for General Industrial Application

**Brand Name:** HWY  
**Model No.:** H6650410  
**Markings:** 500V~50Hz ISA IP66  
AS/NZS 3123:2005  
**Standards:** NI  
**Conditions:** NI

**Approval Mark:** SAA130194 or RCH  
**Date First Registered:** 1 February 2013  
**Date of Expiry:** 1 February 2018

For and on Behalf of  
SAA Approvals Pty Ltd

SAA Approvals Pty Ltd Electrical Product Safety Certification Scheme is accredited to AS/NZS 4576 under ISO/IEC 17067. This certifies that the electrical product described on this certificate complies with the minimum electrical safety requirements for which the application has been made.

For SAA Contact Details and to verify the Certificate go to:  
www.saaapprovals.com.au

JAS-ANZ  
CERTIFIED

130194

**SAA**  
APPROVALS®

**Certificate of Approval**

**\*Addendum\***

**Certificate No.:** SAA130194  
**Date of Issue:** 1 February 2013

**Class Description:** Non-Declared  
**Product Description:** Socket-Outlet for General Industrial Application

**General Modification:** Model H6650410 is a 3P+N-E poles, front socket-outlet complying with standard sheets 3 and 25.

**Additional Models**

Model No.	Description
H6650401	Similar to H6650410 except rated 20A.
H6650402	Similar to H6650410 except rated 32A and dimensions of socket-outlet complying with standard sheets 3 and 25.
H6650403	Similar to H6650410 except rated 40A.
H6650404	Similar to H6650410 except rated 50A.
H6650405	Similar to H6650410 except rated 63A.
H6650406	Similar to H6650410 except rated 80A.
H6650407	Similar to H6650410 except rated 100A.
H6650408	Similar to H6650410 except rated 125A.
H6650409	Similar to H6650410 except rated 160A.
H6650411	Similar to H6650410 except rated 200A.

For and on Behalf of  
SAA Approvals Pty Ltd

SAA Approvals Pty Ltd Electrical Product Safety Certification Scheme is accredited to AS/NZS 4576 under ISO/IEC 17067. This certifies that the electrical product described on this certificate complies with the minimum electrical safety requirements for which the application has been made.

For SAA Contact Details and to verify the Certificate go to:  
www.saaapprovals.com.au

JAS-ANZ  
CERTIFIED

130194

**SAA**  
APPROVALS®

**Certificate of Approval**

**\*Addendum\***

**Certificate No.:** SAA130288  
**Date of Issue:** 8 February 2013

**Class Description:** Non-Declared  
**Product Description:** Connector for General Industrial Application

**General Modification:** Model H6650310 is a 3P+N-E poles, dimensions of connectors complying with standard sheets 3 and 25.

**Additional Models**

Model No.	Description
H6650301	Similar to H6650310 except rated 20A.
H6650302	Similar to H6650310 except rated 32A and dimensions of socket-outlet complying with standard sheets 3 and 25.
H6650303	Similar to H6650310 except for 3P+N+E type.
H6650304	Similar to H6650310 except rated 20A.
H6650305	Similar to H6650310 except rated 32A and dimensions of socket-outlet complying with standard sheets 3 and 25.

For and on Behalf of  
SAA Approvals Pty Ltd

SAA Approvals Pty Ltd Electrical Product Safety Certification Scheme is accredited to AS/NZS 4576 under ISO/IEC 17067. This certifies that the electrical product described on this certificate complies with the minimum electrical safety requirements for which the application has been made.

For SAA Contact Details and to verify the Certificate go to:  
www.saaapprovals.com.au

JAS-ANZ  
CERTIFIED

130288

**SAA**  
APPROVALS®

**Certificate of Suitability**

**Certificate No.:** SAA130601  
**Date of Issue:** 12 April 2013

**Certificate Holder:** Yunging Mwe Electric Co., Ltd  
Shang Lai Qiao Village, Lishui Town,  
Taizhou City,  
Zhejiang 325604  
P.R. China

**Class Description:** Non-Declared  
**Product Description:** Switched Socket-Outlet

**Brand Name:** MYJW  
**Model No.:** H6650110  
**Markings:** 500V~50Hz ISA IP66  
**Standards:** AS/NZS 3123:2005  
**Conditions:** NI

**Approval Mark:** SAA130601 or RCH  
**Date First Registered:** 12 April 2013  
**Date of Expiry:** 12 April 2018

For and on Behalf of  
SAA Approvals Pty Ltd

SAA Approvals Pty Ltd Electrical Product Safety Certification Scheme is accredited to AS/NZS 4576 under ISO/IEC 17067. This certifies that the electrical product described on this certificate complies with the minimum electrical safety requirements for which the application has been made.

For SAA Contact Details and to verify the Certificate go to:  
www.saaapprovals.com.au

JAS-ANZ  
CERTIFIED

130601

**SAA**  
APPROVALS®

**Certificate of Suitability**

**\*Addendum\***

**Certificate No.:** SAA130601  
**Date of Issue:** 12 April 2013

**Class Description:** Non-Declared  
**Product Description:** Switched Socket-Outlet

**Additional Models**

Model No.	Description
H6650101	Similar to H6650110 except rated 20A.
H6650102	Similar to H6650110 except rated 32A and dimensions of socket-outlet portion comply with standard sheets 3 and 25.
H6650103	Similar to H6650110 except rated 40A.
H6650104	Similar to H6650110 except rated 50A.
H6650105	Similar to H6650110 except for 3P+N+E poles.
H6650106	Similar to H6650110 except rated 20A.
H6650107	Similar to H6650110 except for 3P+N+E poles.
H6650108	Similar to H6650110 except rated 40A and 3P+N+E poles.
H6650109	Similar to H6650110 except rated 50A and 3P+N+E poles.

For and on Behalf of  
SAA Approvals Pty Ltd

SAA Approvals Pty Ltd Electrical Product Safety Certification Scheme is accredited to AS/NZS 4576 under ISO/IEC 17067. This certifies that the electrical product described on this certificate complies with the minimum electrical safety requirements for which the application has been made.

For SAA Contact Details and to verify the Certificate go to:  
www.saaapprovals.com.au

JAS-ANZ  
CERTIFIED

130601

**SAA**  
APPROVALS®

**Certificate of Suitability**

**\*Addendum\***

**Certificate No.:** SAA130440  
**Date of Issue:** 19 March 2013

**Class Description:** Non-Declared  
**Product Description:** Switch Disconnecter

**Additional Models**

Model No.	Description
H6650111	Similar to H6650110 except rated 20A.
H6650112	Similar to H6650110 except rated 500V~50Hz and 2 poles in lieu of 1 pole.
H6650113	Similar to H6650110 except rated 20A.
H6650114	Similar to H6650110 except rated 500V~50Hz and 3 poles in lieu of 1 pole.
H6650115	Similar to H6650110 except rated 20A.

For and on Behalf of  
SAA Approvals Pty Ltd

SAA Approvals Pty Ltd Electrical Product Safety Certification Scheme is accredited to AS/NZS 4576 under ISO/IEC 17067. This certifies that the electrical product described on this certificate complies with the minimum electrical safety requirements for which the application has been made.

For SAA Contact Details and to verify the Certificate go to:  
www.saaapprovals.com.au

JAS-ANZ  
CERTIFIED

130440

**SAA**  
APPROVALS®

**Certificate of Approval**

**Certificate No.:** SAA130194  
**Date of Issue:** 1 February 2013

**Certificate Holder:** HWY Pty Ltd  
Unit 502, 100 Plenty Road  
Preston VIC 3072  
Australia

**Class Description:** Non-Declared  
**Product Description:** Socket-Outlet for General Industrial Application

**Brand Name:** HWY  
**Model No.:** H6650410  
**Markings:** 500V~50Hz ISA IP66  
AS/NZS 3123:2005  
**Standards:** NI  
**Conditions:** NI

**Approval Mark:** SAA130194 or RCH  
**Date First Registered:** 1 February 2013  
**Date of Expiry:** 1 February 2018

For and on Behalf of  
SAA Approvals Pty Ltd

SAA Approvals Pty Ltd Electrical Product Safety Certification Scheme is accredited to AS/NZS 4576 under ISO/IEC 17067. This certifies that the electrical product described on this certificate complies with the minimum electrical safety requirements for which the application has been made.

For SAA Contact Details and to verify the Certificate go to:  
www.saaapprovals.com.au

JAS-ANZ  
CERTIFIED

130194

**SAA**  
APPROVALS®

**Certificate of Suitability**

**\*Addendum\***

**Certificate No.:** SAA130441  
**Date of Issue:** 19 March 2013

**Class Description:** Non-Declared  
**Product Description:** Switch Disconnecter

**Additional Models**

Model No.	Description
H6650116	Similar to H6650110 except rated 40A.
H6650117	Similar to H6650110 except rated 50A.
H6650118	Similar to H6650110 except rated 63A.
H6650119	Similar to H6650110 except rated 80A.
H6650120	Similar to H6650110 except rated 100A.
H6650121	Similar to H6650110 except rated 125A.

For and on Behalf of  
SAA Approvals Pty Ltd

SAA Approvals Pty Ltd Electrical Product Safety Certification Scheme is accredited to AS/NZS 4576 under ISO/IEC 17067. This certifies that the electrical product described on this certificate complies with the minimum electrical safety requirements for which the application has been made.

For SAA Contact Details and to verify the Certificate go to:  
www.saaapprovals.com.au

JAS-ANZ  
CERTIFIED

130441

**SAA**  
APPROVALS®

**Certificate of Suitability**

**Certificate No.:** SAA130441  
**Date of Issue:** 19 March 2013

**Certificate Holder:** Yunging Mwe Electric Co., Ltd  
Shang Lai Qiao Village, Lishui Town,  
Taizhou City,  
Zhejiang 325604  
P.R. China

**Class Description:** Non-Declared  
**Product Description:** Switch Disconnecter

**Brand Name:** MYJW  
**Model No.:** H6650112  
**Markings:** 50V~250V~1P/1L+1N/0N L<sub>1</sub>~R<sub>1</sub>  
L<sub>2</sub>~L<sub>3</sub> 32A IP66 AC-23A AC-23A  
AC/DC 2P/1:2:005  
IEC 60947-3 Ed. 3.0  
AS 60947.1:2004  
**Standards:** NI  
**Conditions:** NI

**Approval Mark:** SAA130441 or RCH  
**Date First Registered:** 19 March 2013  
**Date of Expiry:** 19 March 2018

For and on Behalf of  
SAA Approvals Pty Ltd

SAA Approvals Pty Ltd Electrical Product Safety Certification Scheme is accredited to AS/NZS 4576 under ISO/IEC 17067. This certifies that the electrical product described on this certificate complies with the minimum electrical safety requirements for which the application has been made.

For SAA Contact Details and to verify the Certificate go to:  
www.saaapprovals.com.au

JAS-ANZ  
CERTIFIED

130441