



Hood&Housing



Rectangular connector-Hoods/Housings Contents

Size	Type	Page
3A	Hoods/Housings(Plastic,Standard,EMC,Corrosion Resistance)	P15-06 ~ P15-16
10A	Metal Hoods/Housings	P15-17 ~ P15-18
16A	Metal Hoods/Housings	P15-19 ~ P15-20
32A	Metal Hoods/Housings	P15-21 ~ P15-24
6B	Hoods/Housings(Plastic,Metal,Corrosion Resistance)	P15-25 ~ P15-38
10B	Hoods/Housings(Plastic,Metal,suitable for harsh environement,Corrosion Resistance,Pressure Tight)	P15-39~ P15-69
16B	Hoods/Housings(Plastic,Metal,suitable for harsh environement,EMC,Corrosion Resistance,Pressure Tight)	P15-70 ~ P15-107
24B	Hoods/Housings(Plastic,Metal,suitable for harsh environement,Corrosion Resistance,Pressure Tight)	P15-108 ~ P15-150
32B	Hoods/Housings(Metal,Pressure Tight)	P15-151 ~ P15-159
48B	Hoods/Housings(Metal,Pressure Tight)	P15-160 ~ P15-162
HC	Metal Hoods/Housings	P15-163 ~ P15-168
Thickned seal part	(H series BK housing)	P15-169 ~ P15-170

Levers for option

	Identify	Main material	Description	Designation Example	Order NO. Example
	L/SC	Stainless steel+TPR	high-strength locking, device with rubber cover, Suitable for harsh environment (anti-corrosion)	H24B-SF-1L/SC-M25	111 024 221 1003
	L/PSE	PC+Stainless steel	removable locking device, suitable for general industrial environment	H24B-SF-1L/PSE-M25	111 024 228 1001

Technical characteristics

Size 3A Plastic Hoods & Housings IP65	
Material	polycarbonate
Colour	light grey (RAL 7032) black (RAL 9005)
Locking element	
–Lever type	plastic elastic pressing
–Material	polyamide
Hoods/Housings seal	NBR
Limiting temperatures	–40...+125°C
Flammability acc. to UL 94	V0
Degree of protection acc.to DIN EN 60 529 for coupled connector	IP65

Size 3A Metal Hoods & Housings IP65	
Material	zinc die–cast
Colour	grey
Locking element	
–Lever type	metal elastic pressing
–Material	metal galvanized/ nickel plating
Hoods/Housings seal	NBR
Limiting temperatures	–40...+125°C
Flammability acc. to UL 94	V0
Degree of protection acc.to DIN EN 60 529 for coupled connector	IP65

3A Pressure tight Hoods & Housings IP68/IP69k	
Surface	Epoxy powder coating
Material	zinc die–cast
Colour	black or grey
Locking element	
–Lever type	screw locking
–Material	stainless steel
Hoods/Housings seal	NBR
Limiting temperatures	–40...+125°C
Flammability acc. to UL 94	V0
Degree of protection acc.to DIN EN 60 529 for coupled connector	IP68/IP69K

EMC Electromagnetic Compatibility Hoods & Housings IP65	
Material	zinc die–cast(3A) aluminium die–cast(Type B)
Surface	electrical conductive
Locking element	
–Lever type	metal elastic pressing/screw locking
–Material	see P15–02
Hoods/Housings seal	NBR
Limiting temperatures	–40...+125°C
Flammability acc. to UL 94	V0
Degree of protection acc.to DIN EN 60 529 for coupled connector	H version IP65 / W version IP67

HC Metal Hoods & Housings IP65	
Surface	Epoxy powder coating/nickeling
Material	zinc die–cast
Colour	black/brushed nickel
Locking element	
–Lever type	metal elastic pressing
–Material	stainless steel
Hoods/Housings seal	NBR
Limiting temperatures	–40...+125°C
Flammability acc. to UL 94	V0
Degree of protection acc.to DIN EN 60 529 for coupled connector	IP65

Plastic Hoods & Housings IP65	
Material	polyamide
Colour	RAL 9005 (black)
Locking element	
–Lever type	plastic elastic pressing
–Material	polyamide
Hoods/Housings seal	NBR
Limiting temperatures	–40...+125°C
Flammability acc. to UL 94	V0
Degree of protection acc.to DIN EN 60 529 for coupled connector	IP65

Metal Hoods & Housings IP65	
Material	aluminium die–cast
Colour	grey
Locking element	
–Lever type	metal elastic pressing
–Material	see P15–02
Hoods/Housings seal	NBR
Limiting temperatures	–40...+125°C
Flammability acc. to UL 94	V0
Degree of protection acc.to DIN EN 60 529 for coupled connector	H version IP65 / W version IP67

Hoods/Housings for higher environmental requirements IP65	
Material	zinc die–cast(3A), aluminium die–cast,
Colour	RAL 9005 (black)
Surface– Top coat	epoxy powder paint
Locking element	
–Lever type	metal elastic pressing
–Material	stainless steel
Hoods/Housings seal	FPM
Limiting temperatures	–40...+125°C
Flammability acc. to UL 94	V0
Degree of protection acc.to DIN EN 60 529 for coupled connector	H version IP65 / W version IP67

Pressure tight Hoods & Housings IP68/IP69k	
Material	aluminium die–cast, corrosion resistant
Colour	black or grey
Locking element	
–Lever type	screw locking
–Material	stainless steel
Hoods/Housings seal	NBR
Limiting temperatures	–40...+125°C
Flammability acc. to UL 94	V0
Degree of protection acc.to DIN EN 60 529 for coupled connector	IP68/IP69K

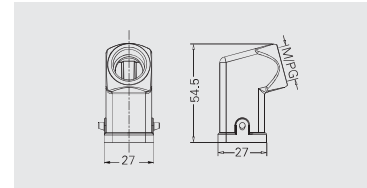
HC Plastic Hoods & Housings IP65	
Material	polycarbonate
Colour	RAL 9005 (black)
Locking element	
–Lever type	plastic elastic pressing
–Material	polyamide
Hoods/Housings seal	NBR
Limiting temperatures	–40...+125°C
Flammability acc. to UL 94	V0
Degree of protection acc.to DIN EN 60 529 for coupled connector	IP65

Degree of protection: IP65

Hoods, side entry



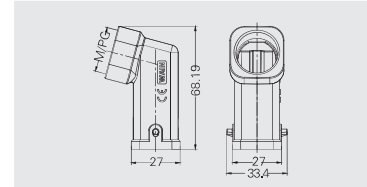
Thread	Designation	Order No.
M20	H3A-SE-2B-M20	110 003 510 1002
PG11	H3A-SE-2B-PG11	110 003 510 1008



Hoods, side entry



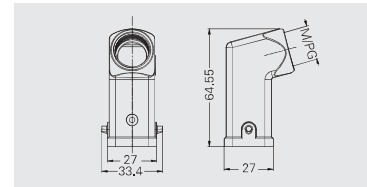
Thread	Designation	Order No.
M25	H3A-SEH-2B-M25	110 003 510 5001
PG16	H3A-SEH-2B-PG16	110 003 510 5002



Hoods, side entry, high construction



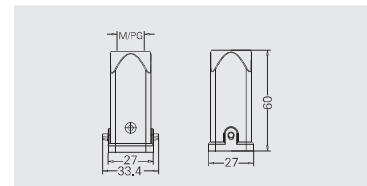
Thread	Designation	Order No.
M20	H3A-SEHC-2B-M20	112 003 510 1001
PG11	H3A-SEHC-2B-PG11	110 003 510 1519



Hoods, top entry



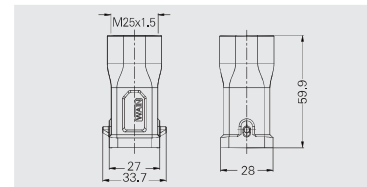
Thread	Designation	Order No.
M20	H3A-TE-2B-M20	110 003 410 1002
PG11	H3A-TE-2B-PG11	110 003 410 1008
PG13.5	H3A-TE-2B-PG13.5	110 003 410 1009



Hoods, top entry



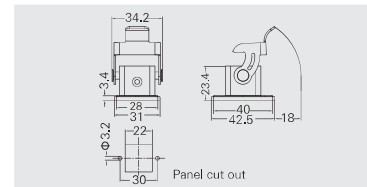
Thread	Designation	Order No.
M25	H3A-TE-2B-M25	110 003 410 1004



Bulkhead mounted housings



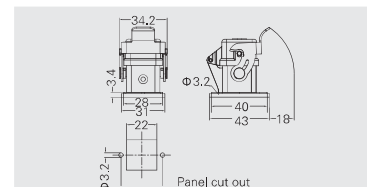
Thread	Designation	Order No.
---	H3A-BK-1L/W	110 003 324 1001



Bulkhead mounted housings



Thread	Designation	Order No.
---	H3A-BK-1L/W-MCV/M(for male insert)	110 003 364 1101
---	H3A-BK-1L/W-MCV/F(for female insert)	110 003 364 1102



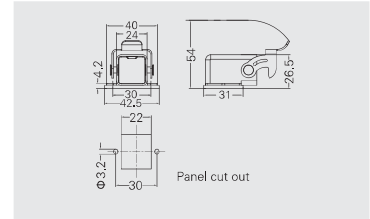
3A Metal hoods/housings

Degree of protection: IP65

Bulkhead mounted housings



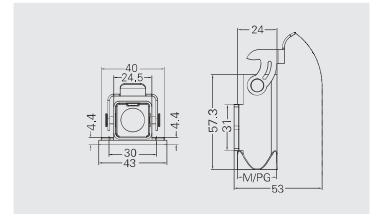
Thread	Designation	Order No.
---	H3A-BK-1L/W-SE	110 003 924 1001



Housings



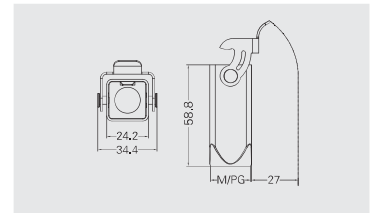
Thread	Designation	Order No.
	Bulkhead mounting	
PG11	H3A-SF/BK-1L/W-PG11	110 003 224 1108
	Surface mounting	
M20	H3A-SF-1L/W-M20	110 003 224 1002
PG11	H3A-SF-1L/W-PG11	110 003 224 1008
PG13,5	H3A-SF-1L/W-PG13,5	110 003 224 1009



Housings, cable to cable



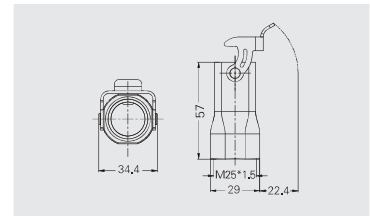
Thread	Designation	Order No.
M20	H3A-CCT-1L/W-M20	110 003 724 1002
PG11	H3A-CCT-1L/W-PG11	110 003 724 1008



Housings, cable to cable



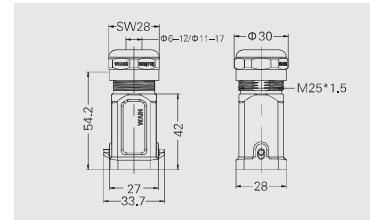
Thread	Designation	Order No.
M25	H3A-CCT-1L/W-M25	110 003 724 1003



Hoods, top entry, with cable gland



Thread	Designation	Order No.
M25	H3A-TE-2B-OM25(D6-12)	110 003 410 1003
M25	H3A-TE-2B-OM25(D11-17)	110 003 410 1103

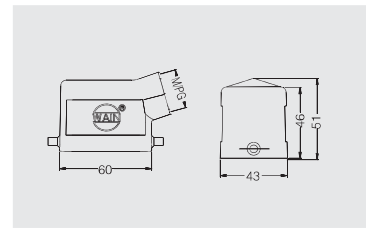


Degree of protection: IP65

Hoods, side entry



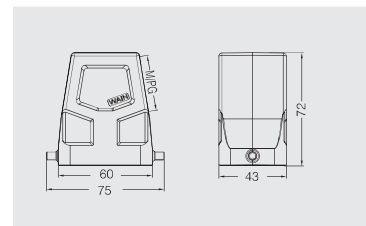
Thread	Designation	Order No.
M20	H6B-SE-2B-M20	111 006 510 1002
M25	H6B-SE-2B-M25	111 006 510 1003
PG13.5	H6B-SE-2B-PG13.5	111 006 510 1009
PG16	H6B-SE-2B-PG16	111 006 510 1010



Hoods, side entry, high construction



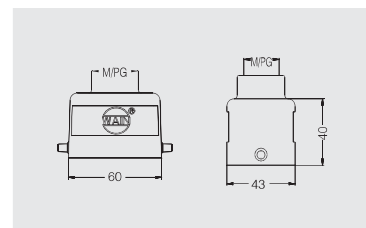
Thread	Designation	Order No.
---	W6B-BEH-2B	111 106 910 5001
M25	W6B-SEH-2B-M25	111 106 510 5001
M32	W6B-SEH-2B-M32	111 106 510 5002
PG21	W6B-SEH-2B-PG21	111 106 510 5003
PG29	W6B-SEH-2B-PG29	111 106 510 5004



Hoods, top entry



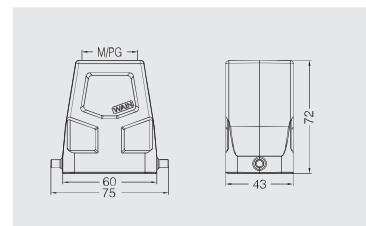
Thread	Designation	Order No.
M20	H6B-TE-2B-M20	111 006 410 1002
M25	H6B-TE-2B-M25	111 006 410 1003
PG13.5	H6B-TE-2B-PG13.5	111 006 410 1009
PG16	H6B-TE-2B-PG16	111 006 410 1010



Hoods, top entry, high construction



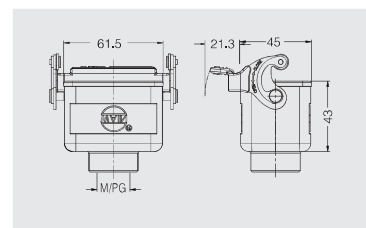
Thread	Designation	Order No.
---	W6B-BEH-2B	111 106 910 5001
M25	W6B-TEH-2B-M25	111 106 410 5001
M32	W6B-TEH-2B-M32	111 106 410 5002
PG21	W6B-TEH-2B-PG21	111 106 410 5003
PG29	W6B-TEH-2B-PG29	111 106 410 5004



Housings, cable to cable



Thread	Designation	Order No.
M20	H6B-CCT-1L/SC-M20	111 006 721 1002
M25	H6B-CCT-1L/SC-M25	111 006 721 1001
PG13.5	H6B-CCT-1L/SC-PG13.5	111 006 721 1009
PG16	H6B-CCT-1L/SC-PG16	111 006 721 1010

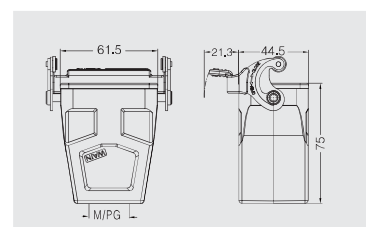


Please refer to page 15-02 for choosing proper model of lock.

Housings, cable to cable
high construction



Thread	Designation	Order No.
M25	W6B-CCTH-1L/SC-M25	111 106 721 5001
M32	W6B-CCTH-1L/SC-M32	111 106 721 5002
PG21	W6B-CCTH-1L/SC-PG21	111 106 721 5003
PG29	W6B-CCTH-1L/SC-PG29	111 106 721 5004



Please refer to page 15-02 for choosing proper model of lock.

6B Metal hoods/housings

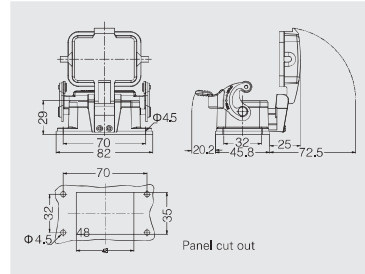
Degree of protection: IP65

Housings, bulkhead mounting



Thread	Designation	Order No.
---	H6B-BK-1L/SC	111 006 321 1001
	with plastic cover	
---	H6B-BK-1L/SC-CV	111 006 361 1001
	with metal cover	
---	H6B-BK-1L/SC-MCV	111 006 361 1101

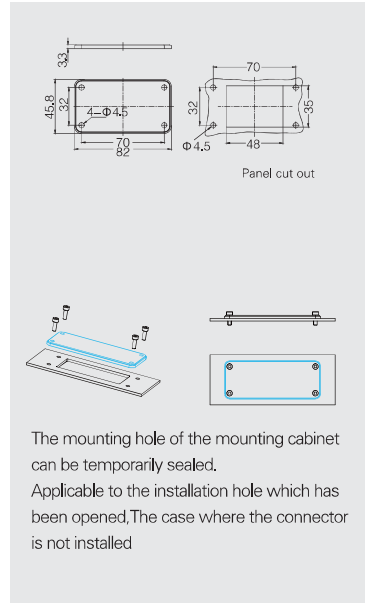
Please refer to page 15-02 for choosing proper model of lock.



BK hole cover plate



Application	Designation	Order No.
	6B-BK/MCV	111 006 300 8001



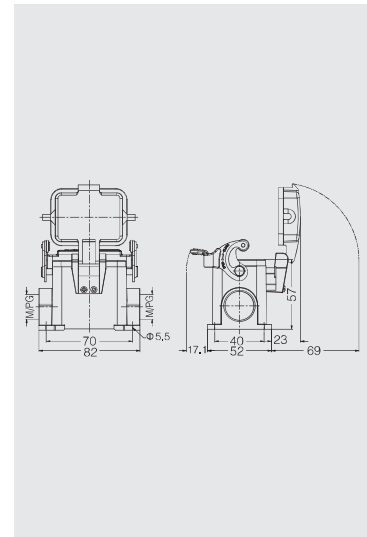
Degree of protection: IP65

Housings, surface mounting



Thread	Designation	Order No.
M20	H6B-SF-1L/SC-M20	111 006 221 1002
2M20	H6B-SF-1L/SC-2M20	111 006 221 1022
PG16	H6B-SF-1L/SC-PG16	111 006 221 1010
2PG16	H6B-SF-1L/SC-2PG16	111 006 221 1030
with plastic cover		
M20	H6B-SF-1L/SC-CV-M20	111 006 261 1002
2M20	H6B-SF-1L/SC-CV-2M20	111 006 261 1022
PG16	H6B-SF-1L/SC-CV-PG16	111 006 261 1010
2PG16	H6B-SF-1L/SC-CV-2PG16	111 006 261 1030
with metal cover		
M20	H6B-SF-1L/SC-MCV-M20	111 006 261 1102
2M20	H6B-SF-1L/SC-MCV-2M20	111 006 261 1122
PG16	H6B-SF-1L/SC-MCV-PG16	111 006 261 1110
2PG16	H6B-SF-1L/SC-MCV-2PG16	111 006 261 1130

please refer to page 15-02 for choosing proper model of lock.



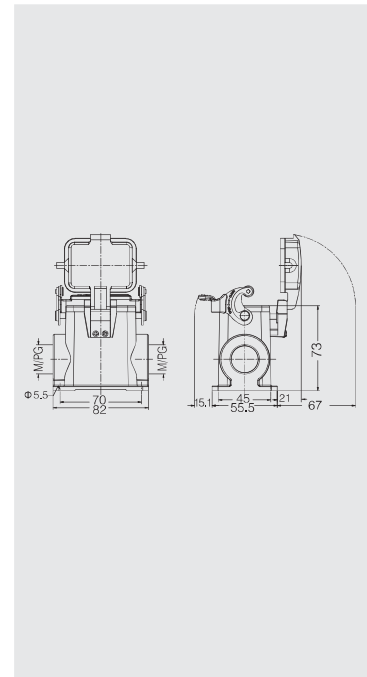
Housings, surface mounting

high construction



Thread	Designation	Order No.
M25	H6B-SFH-1L/SC-M25	111 006 221 5003
2M25	H6B-SFH-1L/SC-2M25	111 006 221 5023
M32	H6B-SFH-1L/SC-M32	111 006 221 5004
2M32	H6B-SFH-1L/SC-2M32	111 006 221 5024
PG21	H6B-SFH-1L/SC-PG21	111 006 221 5011
2PG21	H6B-SFH-1L/SC-2PG21	111 006 221 5031
PG29	H6B-SFH-1L/SC-PG29	111 006 221 5012
2PG29	H6B-SFH-1L/SC-2PG29	111 006 221 5032
with plastic cover		
M25	H6B-SFH-1L/SC-CV-M25	111 006 261 5003
2M25	H6B-SFH-1L/SC-CV-2M25	111 006 261 5023
M32	H6B-SFH-1L/SC-CV-M32	111 006 261 5004
2M32	H6B-SFH-1L/SC-CV-2M32	111 006 261 5024
PG21	H6B-SFH-1L/SC-CV-PG21	111 006 261 5011
2PG21	H6B-SFH-1L/SC-CV-2PG21	111 006 261 5031
PG29	H6B-SFH-1L/SC-CV-PG29	111 006 261 5012
2PG29	H6B-SFH-1L/SC-CV-2PG29	111 006 261 5032
with metal cover		
M25	H6B-SFH-1L/SC-MCV-M25	111 006 261 5103
2M25	H6B-SFH-1L/SC-MCV-2M25	111 006 261 5123
M32	H6B-SFH-1L/SC-MCV-M32	111 006 261 5104
2M32	H6B-SFH-1L/SC-MCV-2M32	111 006 261 5124
PG21	H6B-SFH-1L/SC-MCV-PG21	111 006 261 5111
2PG21	H6B-SFH-1L/SC-MCV-2PG21	111 006 261 5131
PG29	H6B-SFH-1L/SC-MCV-PG29	111 006 261 5112
2PG29	H6B-SFH-1L/SC-MCV-2PG29	111 006 261 5132

please refer to page 15-02 for choosing proper model of lock.



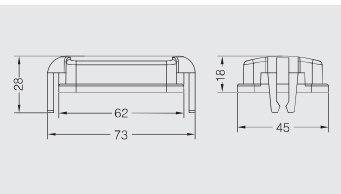
6B Metal hoods/housings

Degree of protection: IP65

Protection covers, plastic



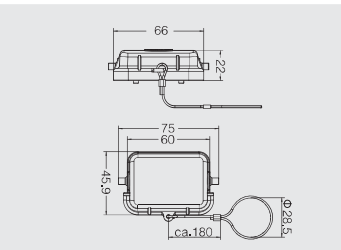
Connect way	Application	Designation	Order No.
---	for hoods	H6B-CV-2C	111 006 000 8009



Protection covers, metal



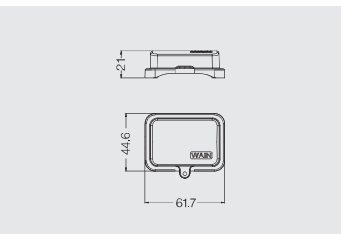
Connect way	Application	Designation	Order No.
	for hoods	H6B-MCV-2B/1	111 006 010 8101
	for housings	H6B-MCV-2B/2	111 006 010 8102



Protection covers, plastic(IP5X)



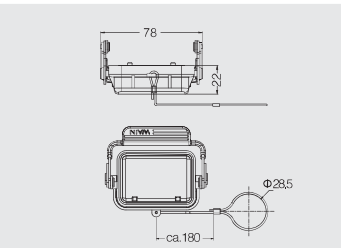
Connect way	Application	Designation	Order No.
---	for housings	6B-CV/C	111 006 000 8002



Protection covers, metal



Connect way	Application	Designation	Order No.
	for hoods	H6B-MCV-1L/SC.1S	111 006 021 8101

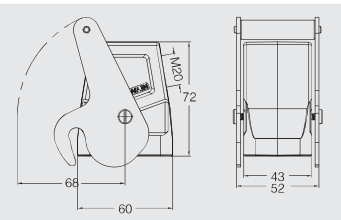


Please refer to page 15-02 for choosing proper model of lock.

Hoods, side entry, high construction



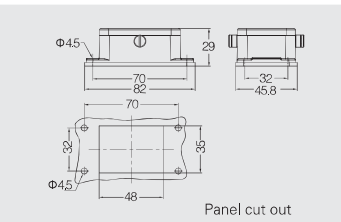
Thread	Designation	Order No.
M25	W6B-SEH-1L/C-M25	111 106 550 5001
M32	W6B-SEH-1L/C-M32	111 106 550 5003
PG21	W6B-SEH-1L/C-PG21	111 106 550 5004
PG29	W6B-SEH-1L/C-PG29	111 106 550 5005



Housings, bulkhead mounting



Thread	Designation	Order No.
---	H6B-BK-2B/C	111 006 350 1003



Panel cut out

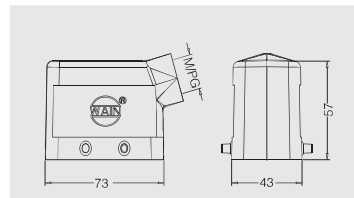
10B Metal hoods/housings

Degree of protection : IP65

Hoods, side entry



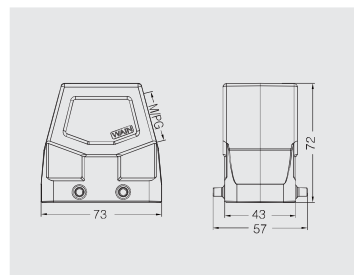
Thread	Designation	Order No.
M20	H10B-SE-4B-M20	111 010 530 1002
M25	H10B-SE-4B-M25	111 010 530 1003
PG16	H10B-SE-4B-PG16	111 010 530 1010



Hoods, side entry, high construction



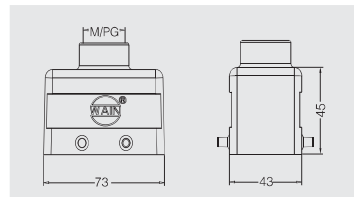
Thread	Designation	Order No.
---	W10B-BEH-4B	111 110 930 5003
M25	W10B-SEH-4B-M25	111 110 530 5001
M32	W10B-SEH-4B-M32	111 110 530 5002
PG21	W10B-SEH-4B-PG21	111 110 530 5003
PG29	W10B-SEH-4B-PG29	111 110 530 5004
with sleeve		
M25	W10B-SEH-4B-M25 <i>WS</i>	111 110 530 5103
M32	W10B-SEH-4B-M32 <i>WS</i>	111 110 530 5104
PG21	W10B-SEH-4B-PG21 <i>WS</i>	111 110 530 5111
PG29	W10B-SEH-4B-PG29 <i>WS</i>	111 110 530 5112



Hoods, top entry



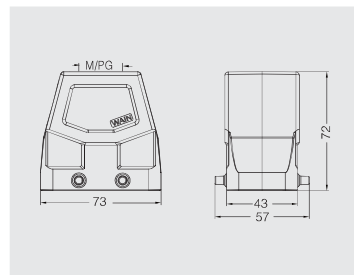
Thread	Designation	Order No.
M20	H10B-TE-4B-M20	111 010 430 1002
M25	H10B-TE-4B-M25	111 010 430 1003
PG16	H10B-TE-4B-PG16	111 010 430 1010



Hoods, top entry, high construction



Thread	Designation	Order No.
---	W10B-BEH-4B	111 110 930 5003
M25	W10B-TEH-4B-M25	111 110 430 5001
M32	W10B-TEH-4B-M32	111 110 430 5004
PG21	W10B-TEH-4B-PG21	111 110 430 5005
PG29	W10B-TEH-4B-PG29	111 110 430 5006
with sleeve		
M25	W10B-TEH-4B-M25 <i>WS</i>	111 110 430 5103
M32	W10B-TEH-4B-M32 <i>WS</i>	111 110 430 5104
PG21	W10B-TEH-4B-PG21 <i>WS</i>	111 110 430 5111
PG29	W10B-TEH-4B-PG29 <i>WS</i>	111 110 430 5112

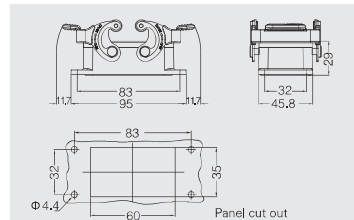


Housings, bulkhead mounting



Thread	Designation	Order No.
---	H10B-BK-2L/SC	111 010 341 1001

Please refer to page 15-02 for choosing proper model of lock.

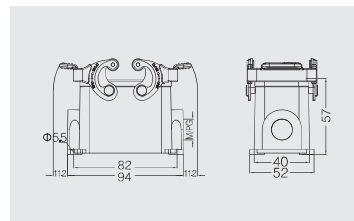


Housings, surface mounting



Thread	Designation	Order No.
M20	H10B-SF-2L/SC-M20	111 010 241 1002
2M20	H10B-SF-2L/SC-2M20	111 010 241 1022
M25	H10B-SF-2L/SC-M25	111 010 241 1003
2M25	H10B-SF-2L/SC-2M25	111 010 241 1023
PG16	H10B-SF-2L/SC-PG16	111 010 241 1010
2PG16	H10B-SF-2L/SC-2PG16	111 010 241 1030

Please refer to page 15-02 for choosing proper model of lock.



10B Metal hoods/housings

Degree of protection: IP65

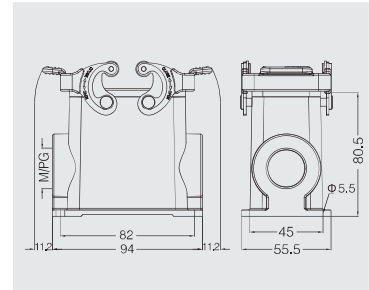
Housings, surface mounting

high construction



Thread	Designation	Order No.
M25	H10B-SFH-2L/SC-M25	111 010 241 5003
2M25	H10B-SFH-2L/SC-2M25	111 010 241 5023
M32	H10B-SFH-2L/SC-M32	111 010 241 5004
2M32	H10B-SFH-2L/SC-2M32	111 010 241 5024
PG21	H10B-SFH-2L/SC-PG21	111 010 241 5011
2PG21	H10B-SFH-2L/SC-2PG21	111 010 241 5031
PG29	H10B-SFH-2L/SC-PG29	111 010 241 5012
2PG29	H10B-SFH-2L/SC-2PG29	111 010 241 5032

Please refer to page 15-02 for choosing proper model of lock.

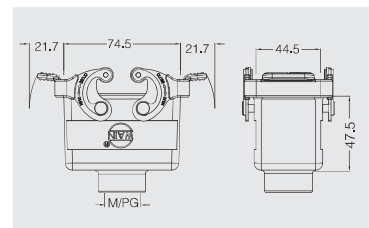


Housings, cable to cable



Thread	Designation	Order No.
M20	H10B-CCT-2L/SC-M20	111 010 741 1002
M25	H10B-CCT-2L/SC-M25	111 010 741 1003
PG16	H10B-CCT-2L/SC-PG16	111 010 741 1010

Please refer to page 15-02 for choosing proper model of lock.



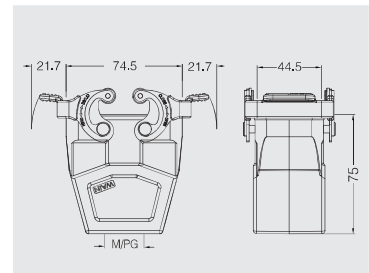
Housings, cable to cable

high construction



Thread	Designation	Order No.
M25	W10B-CCTH-2L/SC-M25	111 110 741 5001
M32	W10B-CCTH-2L/SC-M32	111 110 741 5002
PG21	W10B-CCTH-2L/SC-PG21	111 110 741 5003
PG29	W10B-CCTH-2L/SC-PG29	111 110 741 5004
	with sleeve	
M25	W10B-CCTH-2L/SC-M25 WS	111 110 741 5103
M32	W10B-CCTH-2L/SC-M32 WS	111 110 741 5104
PG21	W10B-CCTH-2L/SC-PG21 WS	111 110 741 5111
PG29	W10B-CCTH-2L/SC-PG29 WS	111 110 741 5112

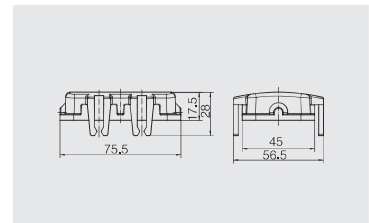
Please refer to page 15-02 for choosing proper model of lock.



Protection covers, plastic



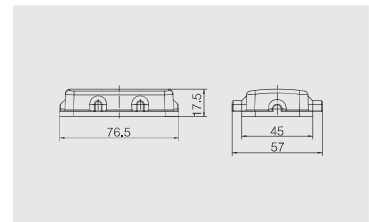
Connect way	Application	Designation	Order No.
---	for hoods	H10B-CV-4C	111 010 090 8009



Protection covers, plastic



Connect way	Application	Designation	Order No.
	for Housings, cable to cable	H10B-CV-4B/1	111 010 030 8001
	for Housings, bulkhead mounting /surface mounting	H10B-CV-4B/2	111 010 030 8002



10B Metal hoods/housings

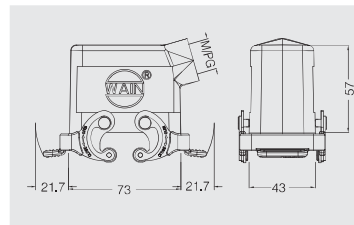
Degree of protection: IP65

Hoods, side entry



Thread	Designation	Order No.
M20	H10B-SE-2L/SC-M20	111 010 541 1002
M25	H10B-SE-2L/SC-M25	111 010 514 1003
PG16	H10B-SE-2L/SC-PG16	111 010 541 1010

Please refer to page 15-02 for choosing proper model of lock.

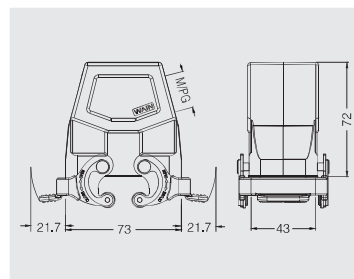


Hoods, side entry, high construction



Thread	Designation	Order No.
M25	W10B-SEH-2L/SC-M25	111 110 541 5001
M32	W10B-SEH-2L/SC-M32	111 110 541 5002
PG21	W10B-SEH-2L/SC-PG21	111 110 541 5003
PG29	W10B-SEH-2L/SC-PG29	111 110 541 5004
with sleeve		
M25	W10B-SEH-2L/SC-M25 WVS	111 110 541 5103
M32	W10B-SEH-2L/SC-M32 WVS	111 110 541 5104
PG21	W10B-SEH-2L/SC-PG21 WVS	111 110 541 5111
PG29	W10B-SEH-2L/SC-PG29 WVS	111 110 541 5112

Please refer to page 15-02 for choosing proper model of lock.

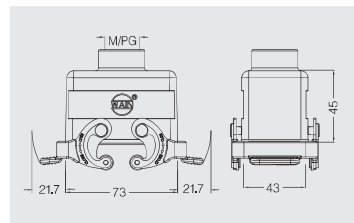


Hoods, top entry



Thread	Designation	Order No.
M20	H10B-TE-2L/SC-M20	111 010 441 1002
M25	H10B-TE-2L/SC-M25	111 010 414 1003
PG16	H10B-TE-2L/SC-PG16	111 010 441 1010

Please refer to page 15-02 for choosing proper model of lock.

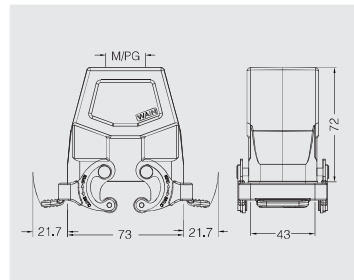


Hoods, top entry, high construction



Thread	Designation	Order No.
M25	W10B-TEH-2L/SC-M25	111 110 441 5001
M32	W10B-TEH-2L/SC-M32	111 110 441 5002
PG21	W10B-TEH-2L/SC-PG21	111 110 441 5003
PG29	W10B-TEH-2L/SC-PG29	111 110 441 5004
with sleeve		
M25	W10B-TEH-2L/SC-M25 WVS	111 110 441 5103
M32	W10B-TEH-2L/SC-M32 WVS	111 110 441 5104
PG21	W10B-TEH-2L/SC-PG21 WVS	111 110 441 5111
PG29	W10B-TEH-2L/SC-PG29 WVS	111 110 441 5112

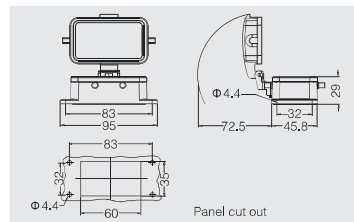
Please refer to page 15-02 for choosing proper model of lock.



Housings, bulkhead mounting



Thread	Designation	Order No.
---	H10B-BK-4B	111 010 330 1001
with plastic cover		
---	H10B-BK-4B-CV	111 010 370 1001
with metal cover		
---	H10B-BK-4B-MCV	111 010 370 1101

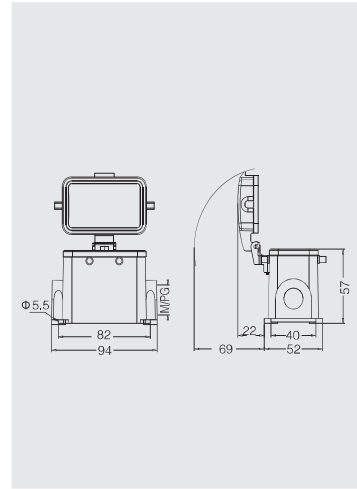


Degree of protection: IP65

housings, surface mounting



Thread	Designation	Order No.
M20	H10B-SF-4B-M20	111 010 230 1002
2M20	H10B-SF-4B-2M20	111 010 230 1022
PG16	H10B-SF-4B-PG16	111 010 230 1010
2PG16	H10B-SF-4B-2PG16	111 010 230 1030
with plastic cover		
M20	H10B-SF-4B-CV-M20	111 010 270 1002
2M20	H10B-SF-4B-CV-2M20	111 010 270 1022
PG16	H10B-SF-4B-CV-PG16	111 010 270 1010
2PG16	H10B-SF-4B-CV-2PG16	111 010 270 1030
with metal cover		
M20	H10B-SF-4B-MCV-M20	111 010 270 1102
2M20	H10B-SF-4B-MCV-2M20	111 010 270 1122
PG16	H10B-SF-4B-MCV-PG16	111 010 270 1110
2PG16	H10B-SF-4B-MCV-2PG16	111 010 270 1130

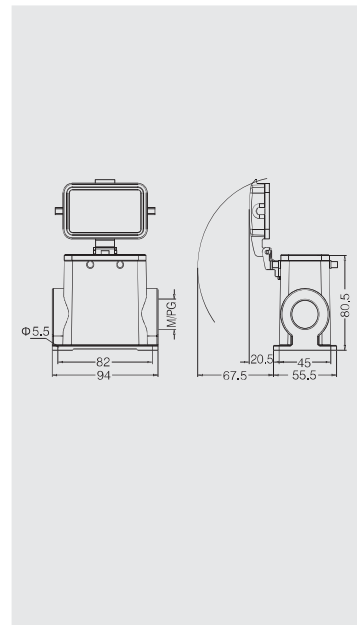


housings, surface mounting

high construction



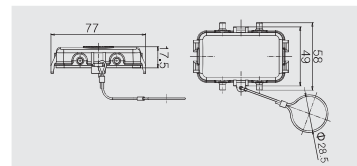
Thread	Designation	Order No.
M25	H10B-SFH-4B-M25	111 010 230 5003
2M25	H10B-SFH-4B-2M25	111 010 230 5023
M32	H10B-SFH-4B-M32	111 010 230 5004
2M32	H10B-SFH-4B-2M32	111 010 230 5024
PG21	H10B-SFH-4B-PG21	111 010 230 5011
2PG21	H10B-SFH-4B-2PG21	111 010 230 5031
PG29	H10B-SFH-4B-PG29	111 010 230 5012
2PG29	H10B-SFH-4B-2PG29	111 010 230 5032
with plastic cover		
M25	H10B-SFH-4B-CV-M25	111 010 270 5003
2M25	H10B-SFH-4B-CV-2M25	111 010 270 5023
M32	H10B-SFH-4B-CV-M32	111 010 270 5004
2M32	H10B-SFH-4B-CV-2M32	111 010 270 5024
PG21	H10B-SFH-4B-CV-PG21	111 010 270 5011
2PG21	H10B-SFH-4B-CV-2PG21	111 010 270 5031
PG29	H10B-SFH-4B-CV-PG29	111 010 270 5012
2PG29	H10B-SFH-4B-CV-2PG29	111 010 270 5032
with metal cover		
M25	H10B-SFH-4B-MCV-M25	111 010 270 5103
2M25	H10B-SFH-4B-MCV-2M25	111 010 270 5123
M32	H10B-SFH-4B-MCV-M32	111 010 270 5104
2M32	H10B-SFH-4B-MCV-2M32	111 010 270 5124
PG21	H10B-SFH-4B-MCV-PG21	111 010 270 5111
2PG21	H10B-SFH-4B-MCV-2PG21	111 010 270 5131
PG29	H10B-SFH-4B-MCV-PG29	111 010 270 5112
2PG29	H10B-SFH-4B-MCV-2PG29	111 010 270 5132



Protection covers, metal



Connect way	Application	Designation	Order No.
	for hoods	H10B-MCV-4B/1S	111 010 030 8103
	for housings, without sealing	H10B-MCV-4B/2	111 010 030 8102

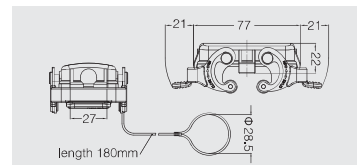


Protection covers, metal



Connect way	Application	Designation	Order No.
	for hoods	H10B-MCV-2L/SC.1S	111 010 041 8101
	for housings	H10B-MCV-2L/SC.2	111 010 041 8102

Please refer to page 15-02 for choosing proper model of lock.



10B Metal hoods/housings

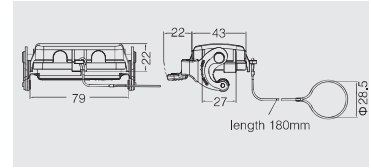
Degree of protection: IP65

Protection covers, metal



Connect way	Application	Designation	Order No.
	for hoods	H10B-MCV-1L/SC.1S	111 010 021 8001

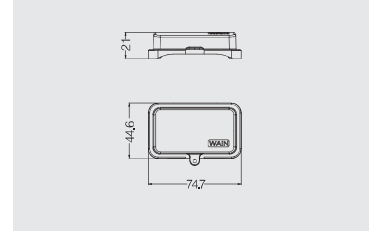
Please refer to page 15-02 for choosing proper model of lock.



Protection covers, plastic(IP5X)



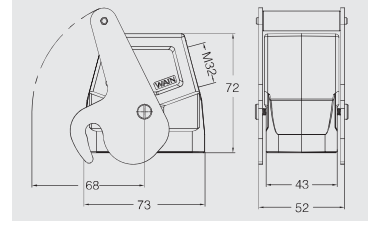
Connect way	Application	Designation	Order No.
	for housings	10B-CV/C	111 010 000 8002



Hoods, side entry, high construction



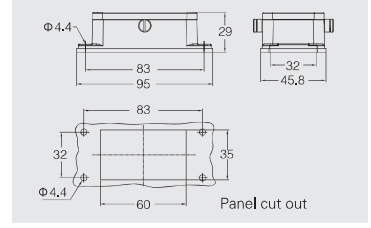
Thread	Designation	Order No.
M25	W10B-SEH-1L/C-M25	111 110 550 5002
M32	W10B-SEH-1L/C-M32	111 110 550 5001



Housings, bulkhead mounting



Thread	Designation	Order No.
---	H10B-BK-2B/C	111 010 350 1001



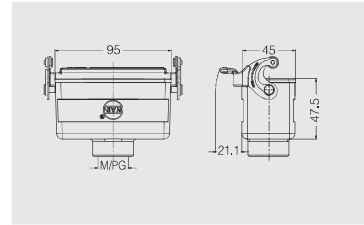
Degree of protection: IP65

Housings, cable to cable



Thread	Designation	Order No.
M25	H16B-CCT-1L/SC-M25	111 016 721 1003
M32	H16B-CCT-1L/SC-M32	111 016 721 1004
PG21	H16B-CCT-1L/SC-PG21	111 016 721 1011

Please refer to page 15-02 for choosing proper model of lock.



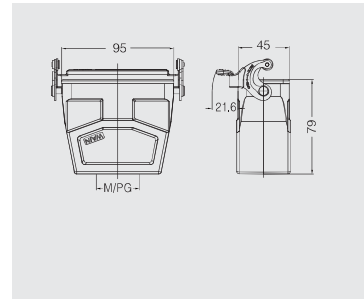
Housings, cable to cable

high construction



Thread	Designation	Order No.
M32	W16B-CCTH-1L/SC-M32	111 116 721 5001
M40	W16B-CCTH-1L/SC-M40	111 116 721 5002
PG21	W16B-CCTH-1L/SC-PG21	111 116 721 5003
PG29	W16B-CCTH-1L/SC-PG29	111 116 721 5004
	with sleeve	
M32	W16B-CCTH-1L/SC-M32 WS	111 116 721 5008
PG21	W16B-CCTH-1L/SC-PG21 WS	111 116 721 5011
PG29	W16B-CCTH-1L/SC-PG29 WS	111 116 721 5012

Please refer to page 15-02 for choosing proper model of lock.



16B Metal hoods/housings

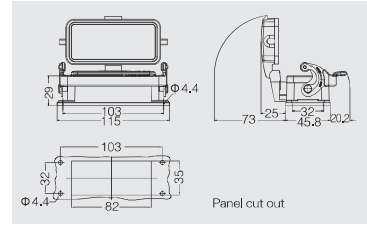
Degree of protection: IP65

Housings, bulkhead mounting



Thread	Designation	Order No.
---	H16B-BK-1L/SC with plastic cover	111 016 321 1001
---	H16B-BK-1L/SC-CV with metal cover	111 016 361 1001
---	H16B-BK-1L/SC-MCV	111 016 361 1101

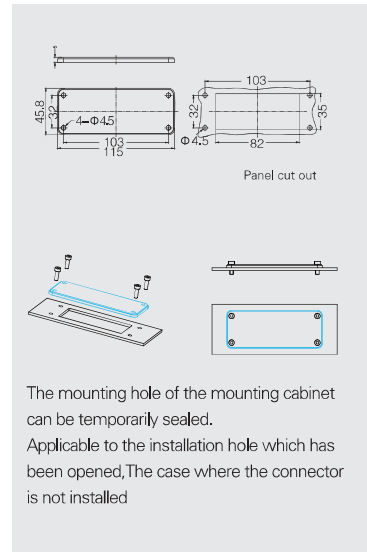
Please refer to page 15-02 for choosing proper model of lock.



BK hole cover plate



Application	Designation	Order No.
	16B-BK/MCV	111 016 300 1506



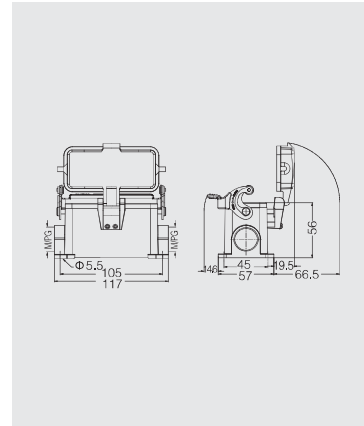
Degree of protection: IP65

Housings, surface mounting



Thread	Designation	Order No.
M25	H16B-SF-1L/SC-M25	111 016 221 1003
2M25	H16B-SF-1L/SC-2M25	111 016 221 1023
PG21	H16B-SF-1L/SC-PG21	111 016 221 1011
2PG21	H16B-SF-1L/SC-2PG21	111 016 221 1031
with plastic cover		
M25	H16B-SF-1L/SC-CV-M25	111 016 261 1003
2M25	H16B-SF-1L/SC-CV-2M25	111 016 261 1023
PG21	H16B-SF-1L/SC-CV-PG21	111 016 261 1011
2PG21	H16B-SF-1L/SC-CV-2PG21	111 016 261 1031
with metal cover		
M25	H16B-SF-1L/SC-MCV-M25	111 016 261 1103
2M25	H16B-SF-1L/SC-MCV-2M25	111 016 261 1123
PG21	H16B-SF-1L/SC-MCV-PG21	111 016 261 1111
2PG21	H16B-SF-1L/SC-MCV-2PG21	111 016 261 1131

Please refer to page 15-02 for choosing proper model of lock.



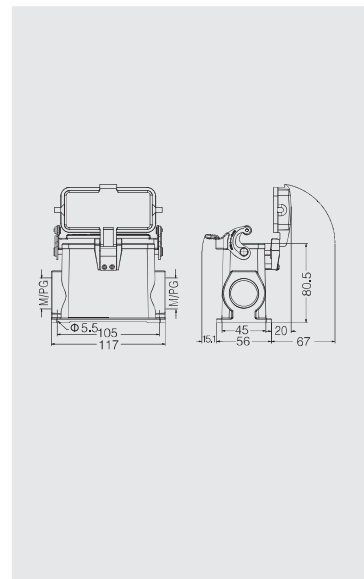
Housings, surface mounting

high construction



Thread	Designation	Order No.
M32	H16B-SFH-1L/SC-M32	111 016 221 5004
2M32	H16B-SFH-1L/SC-2M32	111 016 221 5024
PG21	H16B-SFH-1L/SC-PG21	111 016 221 5011
2PG21	H16B-SFH-1L/SC-2PG21	111 016 221 5031
PG29	H16B-SFH-1L/SC-PG29	111 016 221 5012
2PG29	H16B-SFH-1L/SC-2PG29	111 016 221 5032
with plastic cover		
M32	H16B-SFH-1L/SC-CV-M32	111 016 261 5004
2M32	H16B-SFH-1L/SC-CV-2M32	111 016 261 5024
PG21	H16B-SFH-1L/SC-CV-PG21	111 016 261 5011
2PG21	H16B-SFH-1L/SC-CV-2PG21	111 016 261 5031
PG29	H16B-SFH-1L/SC-CV-PG29	111 016 261 5012
2PG29	H16B-SFH-1L/SC-CV-2PG29	111 016 261 5032
with metal cover		
M32	H16B-SFH-1L/SC-MCV-M32	111 016 261 5104
2M32	H16B-SFH-1L/SC-MCV-2M32	111 016 261 5124
PG21	H16B-SFH-1L/SC-MCV-PG21	111 016 261 5111
2PG21	H16B-SFH-1L/SC-MCV-2PG21	111 016 261 5131
PG29	H16B-SFH-1L/SC-MCV-PG29	111 016 261 5112
2PG29	H16B-SFH-1L/SC-MCV-2PG29	111 016 261 5132

Please refer to page 15-02 for choosing proper model of lock.



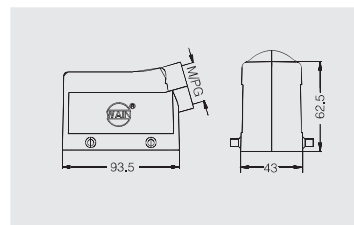
16B Metal hoods/housings

Degree of protection: IP65

Hoods, side entry



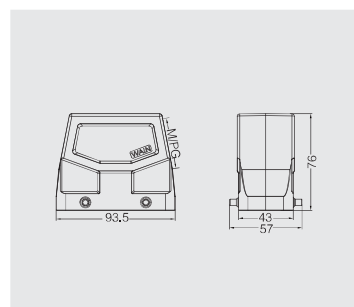
Thread	Designation	Order No.
M25	H16B-SE-4B-M25	111 016 530 1003
M32	H16B-SE-4B-M32	111 016 530 1004
PG21	H16B-SE-4B-PG21	111 016 530 1011



Hoods, side entry, high construction



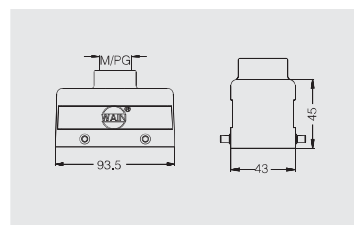
Thread	Designation	Order No.
---	W16B-BEH-4B	111 116 930 5003
M32	W16B-SEH-4B-M32	111 116 530 5001
M40	W16B-SEH-4B-M40	111 116 530 5002
PG21	W16B-SEH-4B-PG21	111 116 530 5003
PG29	W16B-SEH-4B-PG29	111 116 530 5004
M32	W16B-SEH-4B-M32 <i>WS</i>	111 116 530 5014
PG21	W16B-SEH-4B-PG21 <i>WS</i>	111 116 530 5011
PG29	W16B-SEH-4B-PG29 <i>WS</i>	111 116 530 5012



Hoods, top entry



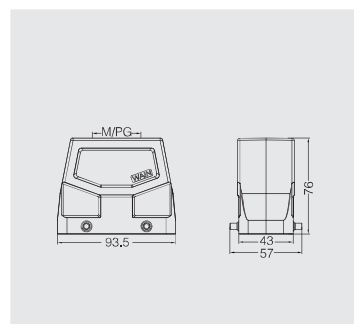
Thread	Designation	Order No.
M25	H16B-TE-4B-M25	111 016 430 1003
M32	H16B-TE-4B-M32	111 016 430 1004
PG21	H16B-TE-4B-PG21	111 016 430 1011



Hoods, top entry, high construction



Thread	Designation	Order No.
---	W16B-BEH-4B	111 116 930 5003
M32	W16B-TEH-4B-M32	111 116 430 5001
M40	W16B-TEH-4B-M40	111 116 430 5002
PG21	W16B-TEH-4B-PG21	111 116 430 5003
PG29	W16B-TEH-4B-PG29	111 116 430 5004
M32	W16B-TEH-4B-M32 <i>WS</i>	111 116 430 5022
PG21	W16B-TEH-4B-PG21 <i>WS</i>	111 116 430 5020
PG29	W16B-TEH-4B-PG29 <i>WS</i>	111 116 430 5021



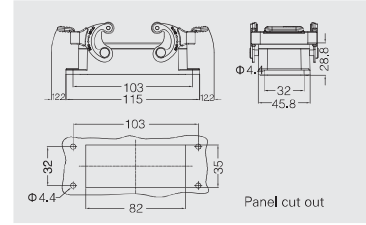
Degree of protection: IP65

Housings, bulkhead mounting



Thread	Designation	Order No.
---	H16B-BK-2L/SC	111 016 341 1001

Please refer to page 15-02 for choosing proper model of lock.

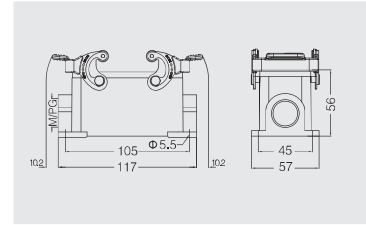


Housings, surface mounting



Thread	Designation	Order No.
M25	H16B-SF-2L/SC-M25	111 016 241 1003
2M25	H16B-SF-2L/SC-2M25	111 016 241 1023
PG21	H16B-SF-2L/SC-PG21	111 016 241 1011
2PG21	H16B-SF-2L/SC-2PG21	111 016 241 1031

Please refer to page 15-02 for choosing proper model of lock.

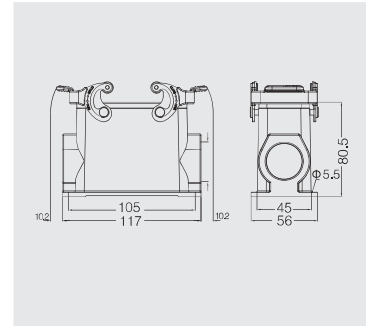


Housings, surface mounting
high construction



Thread	Designation	Order No.
M25	H16B-SFH-2L/SC-M25	111 016 241 5003
M32	H16B-SFH-2L/SC-M32	111 016 241 5004
2M32	H16B-SFH-2L/SC-2M32	111 016 241 5024
M40	H16B-SFH-2L/SC-M40	111 016 241 5005
2M40	H16B-SFH-2L/SC-2M40	111 016 241 5025
PG21	H16B-SFH-2L/SC-PG21	111 016 241 5011
2PG21	H16B-SFH-2L/SC-2PG21	111 016 241 5031
PG29	H16B-SFH-2L/SC-PG29	111 016 241 5012
2PG29	H16B-SFH-2L/SC-2PG29	111 016 241 5032

Please refer to page 15-02 for choosing proper model of lock.

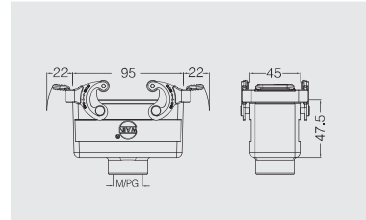


Housings, cable to cable



Thread	Designation	Order No.
M25	H16B-CCT-2L/SC-M25	111 016 741 1003
M32	H16B-CCT-2L/SC-M32	111 016 741 1004
PG21	H16B-CCT-2L/SC-PG21	111 016 741 1011

Please refer to page 15-02 for choosing proper model of lock.



16B Metal hoods/housings

Degree of protection: IP65

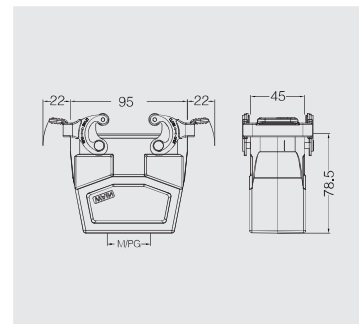
Housings, cable to cable

high construction



Thread	Designation	Order No.
M25	W16B-CCTH-2L/SC-M25	111 116 741 5002
M32	W16B-CCTH-2L/SC-M32	111 116 741 5003
M40	W16B-CCTH-2L/SC-M40	111 116 741 5004
PG21	W16B-CCTH-2L/SC-PG21	111 116 741 5005
PG29	W16B-CCTH-2L/SC-PG29	111 116 741 5006
	with sleeve	
M32	W16B-CCTH-2L/SC-M32 WS	111 116 741 5013
PG21	W16B-CCTH-2L/SC-PG21 WS	111 116 741 5011
PG29	W16B-CCTH-2L/SC-PG29 WS	111 116 741 5012

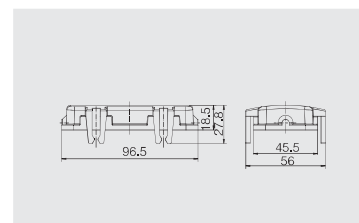
Please refer to page 15-02 for choosing proper model of lock.



Protection covers, plastic





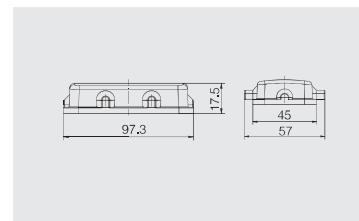
Connect way	Application	Designation	Order No.
---	for hoods	H16B-CV-4C	111 016 090 8009



Protection covers, plastic



Connect way	Application	Designation	Order No.
	for Housings, cable to cable	H16B-CV-4B/1	111 016 030 8001
	for Housings, bulkhead mounting / surface mounting	H16B-CV-4B/2	111 016 030 8002



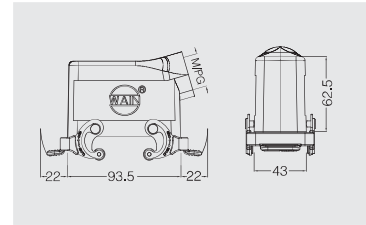
Degree of protection: IP65

Hoods, side entry



Thread	Designation	Order No.
M25	H16B-SE-2L/SC-M25	111 016 541 1003
M32	H16B-SE-2L/SC-M32	111 016 541 1004
PG21	H16B-SE-2L/SC-PG21	111 016 541 1011

Please refer to page 15-02 for choosing proper model of lock.

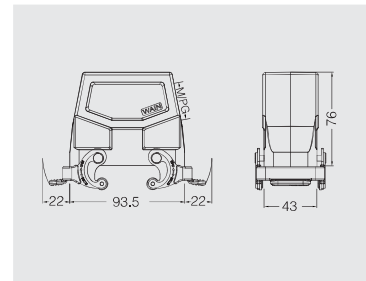


Hoods, side entry, high construction



Thread	Designation	Order No.
M32	W16B-SEH-2L/SC-M32	111 116 541 5001
M40	W16B-SEH-2L/SC-M40	111 116 541 5002
PG21	W16B-SEH-2L/SC-PG21	111 116 541 5003
PG29	W16B-SEH-2L/SC-PG29	111 116 541 5004
	with sleeve	
M32	W16B-SEH-2L/SC-M32 WS	111 116 541 5005
M32	W16B-SEH-2L/SC-PG21 WS	111 116 541 5011
PG29	W16B-SEH-2L/SC-PG29 WS	111 116 541 5006

Please refer to page 15-02 for choosing proper model of lock.

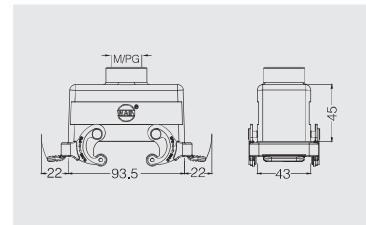


Hoods, top entry



Thread	Designation	Order No.
M25	H16B-TE-2L/SC-M25	111 016 441 1003
M32	H16B-TE-2L/SC-M32	111 016 441 1004
PG21	H16B-TE-2L/SC-PG21	111 016 441 1011

Please refer to page 15-02 for choosing proper model of lock.

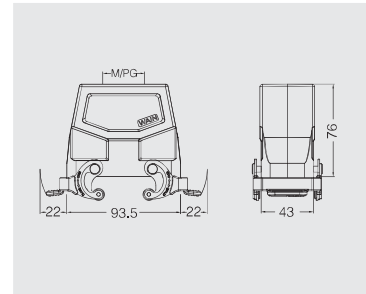


Hoods, top entry, high construction



Thread	Designation	Order No.
M32	W16B-TEH-2L/SC-M32	111 116 441 5001
M40	W16B-TEH-2L/SC-M40	111 116 441 5002
PG21	W16B-TEH-2L/SC-PG21	111 116 441 5003
PG29	W16B-TEH-2L/SC-PG29	111 116 441 5004
	with sleeve	
M32	W16B-TEH-2L/SC-M32 WS	111 116 441 5009
PG21	W16B-TEH-2L/SC-PG21 WS	111 116 441 5011
PG29	W16B-TEH-2L/SC-PG29 WS	111 116 441 5012

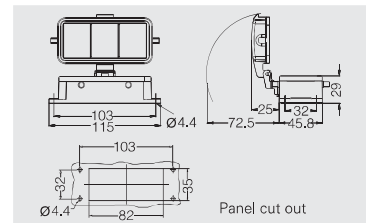
Please refer to page 15-02 for choosing proper model of lock.



Housings, bulkhead mounting



Thread	Designation	Order No.
---	H16B-BK-4B	111 016 330 1001
	with plastic cover	
---	H16B-BK-4B-CV	111 016 370 1001
	with metal cover	
---	H16B-BK-4B-MCV	111 016 370 1101



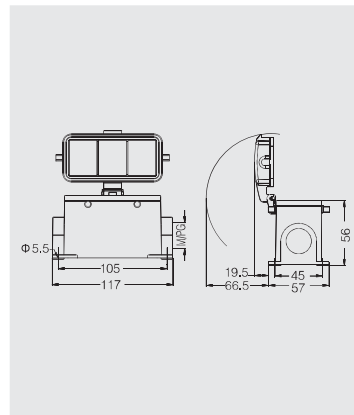
16B Metal hoods/housings

Degree of protection: IP65

Surface mounted housings



Thread	Designation	Order No.
M25	H16B-SF-4B-M25	111 016 230 1003
2M25	H16B-SF-4B-2M25	111 016 230 1023
PG21	H16B-SF-4B-PG21	111 016 230 1011
2PG21	H16B-SF-4B-2PG21	111 016 230 1031
with plastic cover		
M25	H16B-SF-4B-CV-M25	111 016 270 1003
2M25	H16B-SF-4B-CV-2M25	111 016 270 1023
PG21	H16B-SF-4B-CV-PG21	111 016 270 1011
2PG21	H16B-SF-4B-CV-2PG21	111 016 270 1031
with metal cover		
M25	H16B-SF-4B-MCV-M25	111 016 270 1103
2M25	H16B-SF-4B-MCV-2M25	111 016 270 1123
PG21	H16B-SF-4B-MCV-PG21	111 016 270 1111
2PG21	H16B-SF-4B-MCV-2PG21	111 016 270 1131

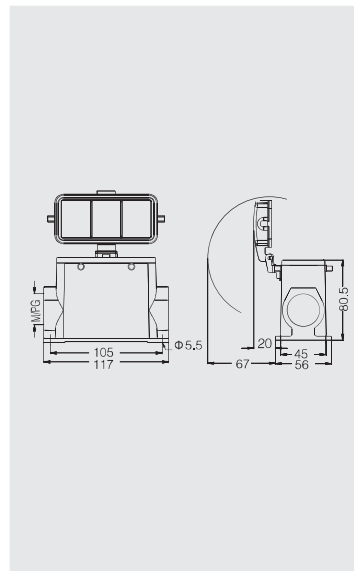


Surface mounted housings

high construction



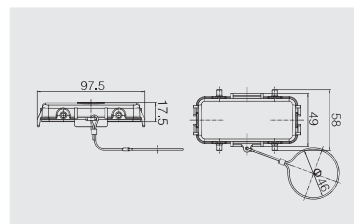
Thread	Designation	Order No.
M32	H16B-SFH-4B-M32	111 016 230 5004
2M32	H16B-SFH-4B-2M32	111 016 230 5024
PG21	H16B-SFH-4B-PG21	111 016 230 5011
2PG21	H16B-SFH-4B-2PG21	111 016 230 5031
PG21	H16B-SFH-4B-PG29	111 016 230 5012
2PG21	H16B-SFH-4B-2PG29	111 016 230 5032
with plastic cover		
M32	H16B-SFH-4B-CV-M32	111 016 270 5004
2M32	H16B-SFH-4B-CV-2M32	111 016 270 5024
PG21	H16B-SFH-4B-CV-PG21	111 016 270 5011
2PG21	H16B-SFH-4B-CV-2PG21	111 016 270 5031
PG29	H16B-SFH-4B-CV-PG29	111 016 270 5012
2PG29	H16B-SFH-4B-CV-2PG29	111 016 270 5032
with metal cover		
M32	H16B-SFH-4B-MCV-M32	111 016 270 5104
2M32	H16B-SFH-4B-MCV-2M32	111 016 270 5124
PG21	H16B-SFH-4B-MCV-PG21	111 016 270 5111
2PG21	H16B-SFH-4B-MCV-2PG21	111 016 270 5131
PG29	H16B-SFH-4B-MCV-PG29	111 016 270 5112
2PG29	H16B-SFH-4B-MCV-2PG29	111 016 270 5132



Protection covers, metal



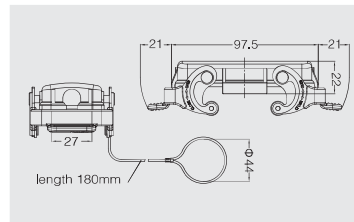
Connect way	Application	Designation	Order No.
	for hoods	H16B-MCV-4B/1S	111 016 030 8103
	for housings, without sealing	H16B-MCV-4B/2	111 016 030 8102



Protection covers, metal



Connect way	Application	Designation	Order No.
	for hoods	H16B-MCV-2L/SC.1S	111 016 041 8101
	for housings	H16B-MCV-2L/SC.2	111 016 041 8102



Please refer to page 15-02 for choosing proper model of lock.

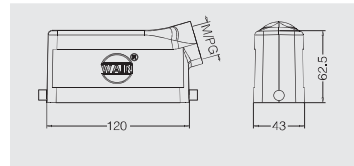
24B Metal hoods/housings

Degree of protection: IP65

Hoods, side entry



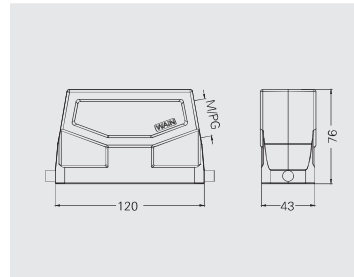
Thread	Designation	Order No.
M25	H24B-SE-2B-M25	111 024 515 1003
M32	H24B-SE-2B-M32	111 024 515 1004
PG21	H24B-SE-2B-PG21	111 024 515 1011



Hoods, side entry, high construction



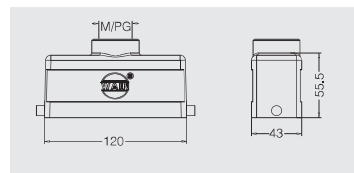
Thread	Designation	Order No.
---	W24B-BEH-2B	111 124 910 5002
M32	W24B-SEH-2B-M32	111 124 510 5001
M40	W24B-SEH-2B-M40	111 124 510 5002
PG21	W24B-SEH-2B-PG21	111 124 510 5003
PG29	W24B-SEH-2B-PG29	111 124 510 5004
	with sleeve	
M32	W24B-SEH-2B-M32 WS	111 124 515 5004
PG21	W24B-SEH-2B-PG21 WS	111 124 515 5011
PG29	W24B-SEH-2B-PG29 WS	111 124 515 5012



Hoods, top entry



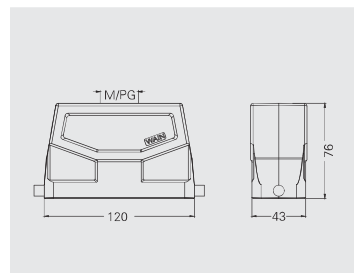
Thread	Designation	Order No.
M25	H24B-TE-2B-M25	111 024 415 1003
M32	H24B-TE-2B-M32	111 024 415 1004
PG21	H24B-TE-2B-PG21	111 024 415 1011
PG29	H24B-TE-2B-PG29	111 024 415 1012



Hoods, top entry, high construction



Thread	Designation	Order No.
---	W24B-BEH-2B	111 124 910 5002
M32	W24B-TEH-2B-M32	111 124 410 5001
M40	W24B-TEH-2B-M40	111 124 410 5002
PG21	W24B-TEH-2B-PG21	111 124 410 5003
PG29	W24B-TEH-2B-PG29	111 124 410 5004
	with sleeve	
M32	W24B-TEH-2B-M32 WS	111 124 415 5004
PG21	W24B-TEH-2B-PG21 WS	111 124 415 5011
PG29	W24B-TEH-2B-PG29 WS	111 124 415 5012

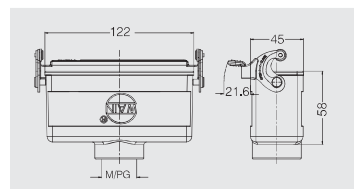


Housings, cable to cable



Thread	Designation	Order No.
M25	H24B-CCT-1L/SC-M25	111 024 721 1003
M32	H24B-CCT-1L/SC-M32	111 024 721 1004
PG21	H24B-CCT-1L/SC-PG21	111 024 721 1011
PG29	H24B-CCT-1L/SC-PG29	111 024 721 1012

Please refer to page 15-02 for choosing proper model of lock.



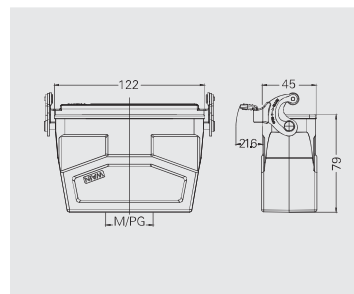
Housings, cable to cable

high construction



Thread	Designation	Order No.
M32	W24B-CCTH-1L/SC-M32	111 124 721 5002
M40	W24B-CCTH-1L/SC-M40	111 124 721 5003
PG21	W24B-CCTH-1L/SC-PG21	111 124 721 5004
PG29	W24B-CCTH-1L/SC-PG29	111 124 721 5005
	with sleeve	
M32	W24B-CCTH-1L/SC-M32 WS	111 124 721 5006
PG21	W24B-CCTH-1L/SC-PG21 WS	111 124 721 5011
PG29	W24B-CCTH-1L/SC-PG29 WS	111 124 721 5012

Please refer to page 15-02 for choosing proper model of lock.



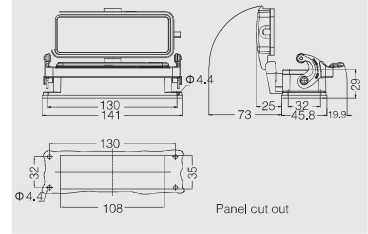
Degree of protection : IP65

Housings, bulkhead mounting



Thread	Designation	Order No.
---	H24B-BK-1L/SC with plastic cover	111 024 321 1001
---	H24B-BK-1L/SC-CV with metal cover	111 024 361 1001
---	H24B-BK-1L/SC-MCV	111 024 361 1101

Please refer to page 15-02 for choosing proper model of lock.

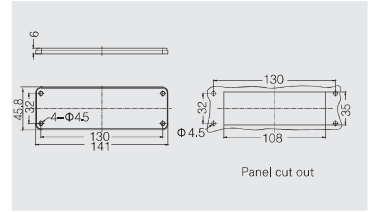


BK hole cover plate



Application	Designation	Order No.
	24B-BK/MCV	111 024 390 8001

The mounting hole of the mounting cabinet can be temporarily sealed. Applicable to the installation hole which has been opened. The case where the connector is not installed

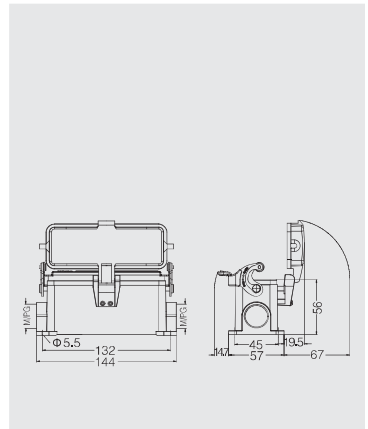


Housings, surface mounting



Thread	Designation	Order No.
M25	H24B-SF-1L/SC-M25	111 024 221 1003
2M25	H24B-SF-1L/SC-2M25	111 024 221 1023
PG21	H24B-SF-1L/SC-PG21	111 024 221 1011
2PG21	H24B-SF-1L/SC-2PG21	111 024 221 1031
with plastic cover		
M25	H24B-SF-1L/SC-CV-M25	111 024 261 1003
2M25	H24B-SF-1L/SC-CV-2M25	111 024 261 1023
PG21	H24B-SF-1L/SC-CV-PG21	111 024 261 1011
2PG21	H24B-SF-1L/SC-CV-2PG21	111 024 261 1031
with metal cover		
M25	H24B-SF-1L/SC-MCV-M25	111 024 261 1103
2M25	H24B-SF-1L/SC-MCV-2M25	111 024 261 1123
PG21	H24B-SF-1L/SC-MCV-PG21	111 024 261 1111
2PG21	H24B-SF-1L/SC-MCV-2PG21	111 024 261 1131

Please refer to page 15-02 for choosing proper model of lock.



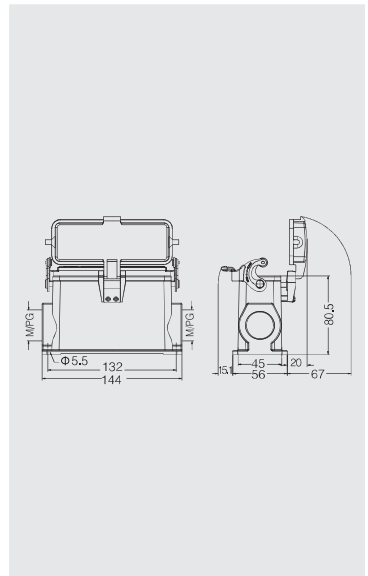
Housings, surface mounting

high construction



Thread	Designation	Order No.
M32	H24B-SFH-1L/SC-M32	111 024 221 5004
2M32	H24B-SFH-1L/SC-2M32	111 024 221 5024
PG21	H24B-SFH-1L/SC-PG21	111 024 221 5011
2PG21	H24B-SFH-1L/SC-2PG21	111 024 221 5031
PG29	H24B-SFH-1L/SC-PG29	111 024 221 5012
2PG29	H24B-SFH-1L/SC-2PG29	111 024 221 5032
with plastic cover		
M32	H24B-SFH-1L/SC-CV-M32	111 024 261 5004
2M32	H24B-SFH-1L/SC-CV-2M32	111 024 261 5024
PG21	H24B-SFH-1L/SC-CV-PG21	111 024 261 5011
2PG21	H24B-SFH-1L/SC-CV-2PG21	111 024 261 5031
PG29	H24B-SFH-1L/SC-CV-PG29	111 024 261 5012
2PG29	H24B-SFH-1L/SC-CV-2PG29	111 024 261 5032
with metal cover		
M32	H24B-SFH-1L/SC-MCV-M32	111 024 261 5104
2M32	H24B-SFH-1L/SC-MCV-2M32	111 024 261 5124
PG21	H24B-SFH-1L/SC-MCV-PG21	111 024 261 5111
2PG21	H24B-SFH-1L/SC-MCV-2PG21	111 024 261 5131
PG29	H24B-SFH-1L/SC-MCV-PG29	111 024 261 5112
2PG29	H24B-SFH-1L/SC-MCV-2PG29	111 024 261 5132

Please refer to page 15-02 for choosing proper model of lock.



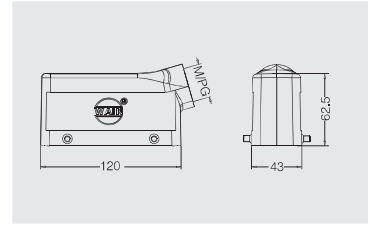
24B Metal hoods/housings

Degree of protection : IP65

Hoods, side entry



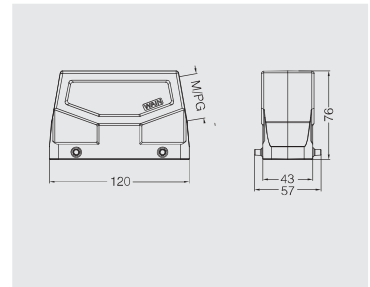
Thread	Designation	Order No.
M25	H24B-SE-4B-M25	111 024 530 1003
M32	H24B-SE-4B-M32	111 024 530 1004
PG21	H24B-SE-4B-PG21	111 024 530 1011



Hoods, side entry, high construction



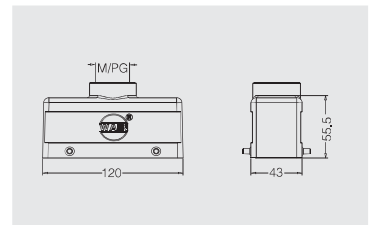
Thread	Designation	Order No.
---	W24B-BEH-4B	111 124 930 5003
M32	W24B-SEH-4B-M32	111 124 530 5001
M40	W24B-SEH-4B-M40	111 124 530 5002
PG21	W24B-SEH-4B-PG21	111 124 530 5003
PG29	W24B-SEH-4B-PG29	111 124 530 5004
	with sleeve	
M32	W24B-SEH-4B-M32 WS	111 124 530 5008
PG21	W24B-SEH-4B-PG21 WS	111 124 530 5011
PG29	W24B-SEH-4B-PG29 WS	111 124 530 5012



Hoods, top entry



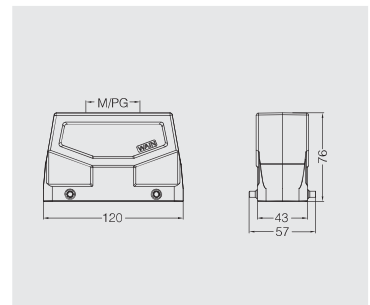
Thread	Designation	Order No.
M25	H24B-TE-4B-M25	111 024 430 1003
M32	H24B-TE-4B-M32	111 024 430 1004
PG21	H24B-TE-4B-PG21	111 024 430 1011
PG29	H24B-TE-4B-PG29	111 024 430 1012



Hoods, top entry, high construction



Thread	Designation	Order No.
---	W24B-BEH-4B	111 124 930 5003
M32	W24B-TEH-4B-M32	111 124 430 5001
M40	W24B-TEH-4B-M40	111 124 430 5002
PG21	W24B-TEH-4B-PG21	111 124 430 5003
PG29	W24B-TEH-4B-PG29	111 124 430 5004
2M32	W24B-TEH-4B-2M32	111 124 430 5005
	with sleeve	
M32	W24B-TEH-4B-M32 WS	111 124 430 5014
PG21	W24B-TEH-4B-PG21 WS	111 124 430 5011
PG29	W24B-TEH-4B-PG29 WS	111 124 430 5010



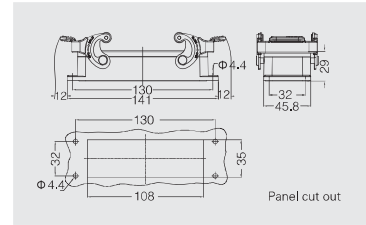
Degree of protection: IP65

Housings, bulkhead mounting



Thread	Designation	Order No.
---	H24B-BK-2L/SC	111 024 341 1001

Please refer to page 15-02 for choosing proper model of lock.

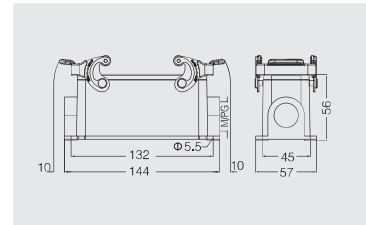


Housings, surface mounting



Thread	Designation	Order No.
M25	H24B-SF-2L/SC-M25	111 024 241 1003
2M25	H24B-SF-2L/SC-2M25	111 024 241 1023
PG21	H24B-SF-2L/SC-PG21	111 024 241 1011
2PG21	H24B-SF-2L/SC-2PG21	111 024 241 1031

Please refer to page 15-02 for choosing proper model of lock.



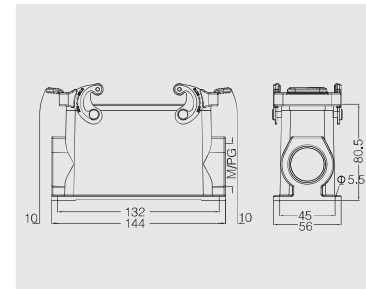
Housings, surface mounting

high construction



Thread	Designation	Order No.
M32	H24B-SFH-2L/SC-M32	111 024 241 5004
2M32	H24B-SFH-2L/SC-2M32	111 024 241 5024
2M40	H24B-SFH-2L/SC-2M40	111 024 241 5025
PG21	H24B-SFH-2L/SC-PG21	111 024 241 5011
2PG21	H24B-SFH-2L/SC-2PG21	111 024 241 5031
PG29	H24B-SFH-2L/SC-PG29	111 024 241 5012
2PG29	H24B-SFH-2L/SC-2PG29	111 024 241 5032

Please refer to page 15-02 for choosing proper model of lock.

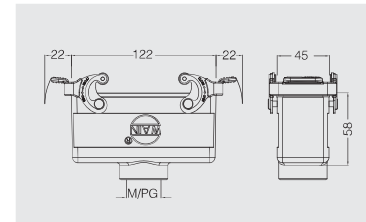


Housings, cable to cable



Thread	Designation	Order No.
M25	H24B-CCT-2L/SC-M25	111 024 741 1003
M32	H24B-CCT-2L/SC-M32	111 024 741 1004
PG21	H24B-CCT-2L/SC-PG21	111 024 741 1011
PG29	H24B-CCT-2L/SC-PG29	111 024 741 1012

Please refer to page 15-02 for choosing proper model of lock.



24B Metal hoods/housings

Degree of protection: IP65

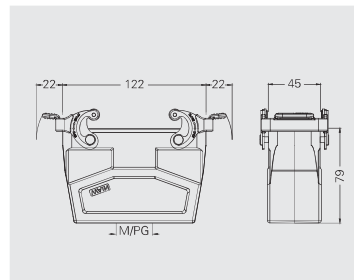
Housings, cable to cable

high construction



Thread	Designation	Order No.
M32	W24B-CCTH-2L/SC-M32	111 124 741 5002
M40	W24B-CCTH-2L/SC-M40	111 124 741 5003
PG21	W24B-CCTH-2L/SC-PG21	111 124 741 5004
PG29	W24B-CCTH-2L/SC-PG29	111 124 741 5005
	with sleeve	
M32	W24B-CCTH-2L/SC-M32 WS	111 124 741 5010
PG21	W24B-CCTH-2L/SC-PG21 WS	111 124 741 5011
PG29	W24B-CCTH-2L/SC-PG29 WS	111 124 741 5012

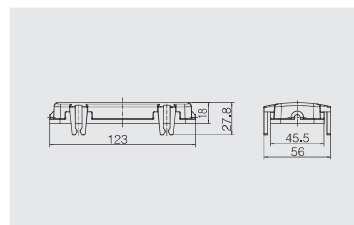
Please refer to page 15-02 for choosing proper model of lock.



Protection covers, plastic


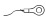


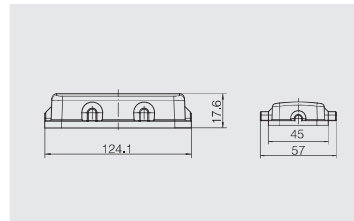
Connect way	Application	Designation	Order No.
---	for hoods	H24B-CV-4C	111 024 090 8009



Protection covers, plastic



Connect way	Application	Designation	Order No.
	for Housings, cable to cable	H24B-CV-4B/1	111 024 030 8001
	for Housings, bulkhead mounting /surface mounting	H24B-CV-4B/2	111 024 030 8002



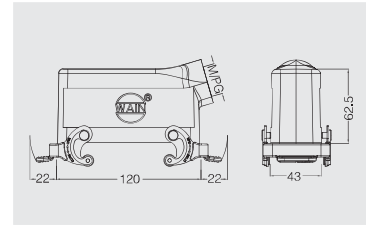
Degree of protection: IP65

Hoods, side entry



Thread	Designation	Order No.
M25	H24B-SE-2L/SC-M25	111 024 541 1003
M32	H24B-SE-2L/SC-M32	111 024 541 1004
PG21	H24B-SE-2L/SC-PG21	111 024 541 1011

Please refer to page 15-02 for choosing proper model of lock.

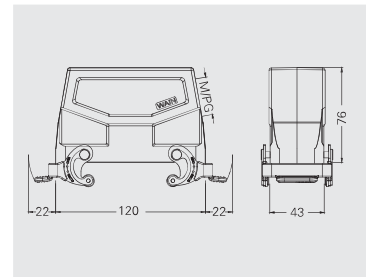


Hoods, side entry, high construction



Thread	Designation	Order No.
M32	W24B-SEH-2L/SC-M32	111 124 541 5001
M40	W24B-SEH-2L/SC-M40	111 124 541 5002
PG21	W24B-SEH-2L/SC-PG21	111 124 541 5003
PG29	W24B-SEH-2L/SC-PG29	111 124 541 5004
	with sleeve	
M32	W24B-SEH-2L/SC-M32 WS	111 124 541 5005
PG21	W24B-SEH-2L/SC-PG21 WS	111 124 541 5011
PG29	W24B-SEH-2L/SC-PG29 WS	111 124 541 5012

Please refer to page 15-02 for choosing proper model of lock.

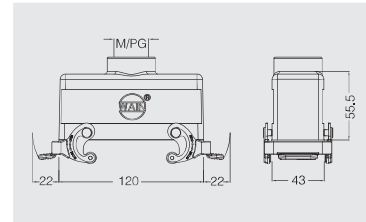


Hoods, top entry



Thread	Designation	Order No.
M25	H24B-TE-2L/SC-M25	111 024 441 1003
M32	H24B-TE-2L/SC-M32	111 024 441 1004
PG21	H24B-TE-2L/SC-PG21	111 024 441 1011
PG29	H24B-TE-2L/SC-PG29	111 024 441 1012

Please refer to page 15-02 for choosing proper model of lock.

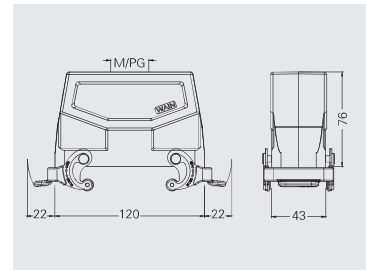


Hoods, top entry, high construction



Thread	Designation	Order No.
M32	W24B-TEH-2L/SC-M32	111 124 441 5001
M40	W24B-TEH-2L/SC-M40	111 124 441 5002
PG21	W24B-TEH-2L/SC-PG21	111 124 441 5003
PG29	W24B-TEH-2L/SC-PG29	111 124 441 5004
	with sleeve	
M32	W24B-TEH-2L/SC-M32 WS	111 124 441 5006
PG21	W24B-TEH-2L/SC-PG21 WS	111 124 441 5011
PG29	W24B-TEH-2L/SC-PG29 WS	111 124 441 5012

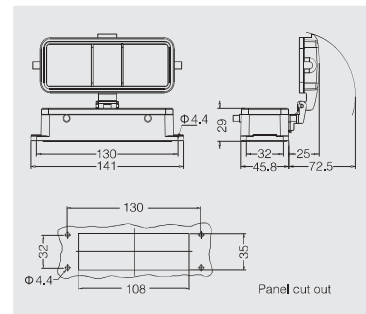
Please refer to page 15-02 for choosing proper model of lock.



Housings, bulkhead mounting



Thread	Designation	Order No.
---	H24B-BK-4B	111 024 330 1001
	with plastic cover	
---	H24B-BK-4B-CV	111 024 370 1001
	with metal cover	
---	H24B-BK-4B-MCV	111 024 370 1101



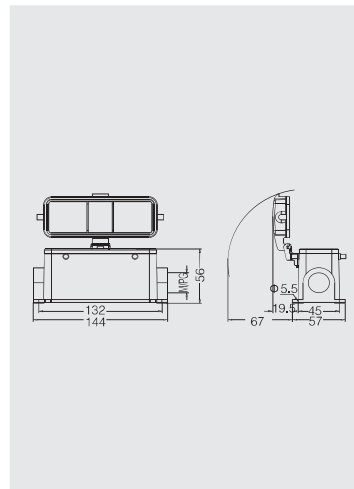
24B Metal hoods/housings

Degree of protection: IP65

Housings, surface mounting



Thread	Designation	Order No.
M25	H24B-SF-4B-M25	111 024 230 1003
2M25	H24B-SF-4B-2M25	111 024 230 1023
PG21	H24B-SF-4B-PG21	111 024 230 1011
2PG21	H24B-SF-4B-2PG21	111 024 230 1031
with plastic cover		
M25	H24B-SF-4B-CV-M25	111 024 270 1003
2M25	H24B-SF-4B-CV-2M25	111 024 270 1023
PG21	H24B-SF-4B-CV-PG21	111 024 270 1011
2PG21	H24B-SF-4B-CV-2PG21	111 024 270 1031
with metal cover		
M25	H24B-SF-4B-MCV-M25	111 024 270 1103
2M25	H24B-SF-4B-MCV-2M25	111 024 270 1123
PG21	H24B-SF-4B-MCV-PG21	111 024 270 1111
2PG21	H24B-SF-4B-MCV-2PG21	111 024 270 1131

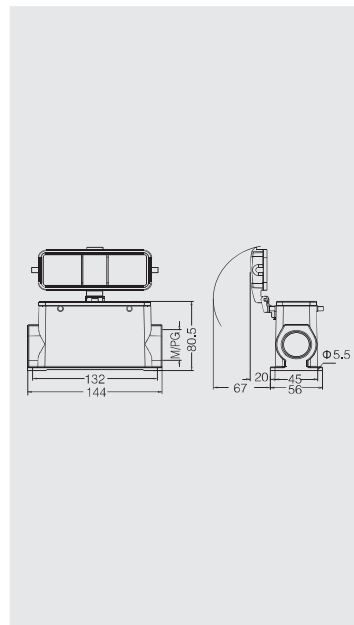


Housings, surface mounting

high construction



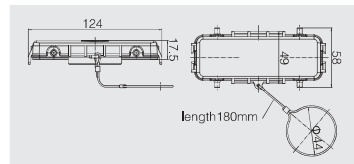
Thread	Designation	Order No.
M32	H24B-SFH-4B-M32	111 024 230 5004
2M32	H24B-SFH-4B-2M32	111 024 230 5024
PG21	H24B-SFH-4B-PG21	111 024 230 5011
2PG21	H24B-SFH-4B-2PG21	111 024 230 5031
PG29	H24B-SFH-4B-PG29	111 024 230 5012
2PG29	H24B-SFH-4B-2PG29	111 024 230 5032
with plastic cover		
M32	H24B-SFH-4B-CV-M32	111 024 270 5004
2M32	H24B-SFH-4B-CV-2M32	111 024 270 5024
PG21	H24B-SFH-4B-CV-PG21	111 024 270 5011
2PG21	H24B-SFH-4B-CV-2PG21	111 024 270 5031
PG29	H24B-SFH-4B-CV-PG29	111 024 270 5012
2PG29	H24B-SFH-4B-CV-2PG29	111 024 270 5032
with metal cover		
M32	H24B-SFH-4B-MCV-M32	111 024 270 5104
2M32	H24B-SFH-4B-MCV-2M32	111 024 270 5124
PG21	H24B-SFH-4B-MCV-PG21	111 024 270 5111
2PG21	H24B-SFH-4B-MCV-2PG21	111 024 270 5131
PG29	H24B-SFH-4B-MCV-PG29	111 024 270 5112
2PG29	H24B-SFH-4B-MCV-2PG29	111 024 270 5132



Protection covers, metal



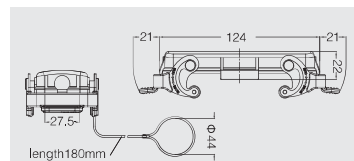
Connect way	Application	Designation	Order No.
	for hoods	H24B-MCV-4B/1S	111 024 030 8103
	for housings, without sealing	H24B-MCV-4B/2	111 024 030 8102



Protection covers, metal



Connect way	Application	Designation	Order No.
	for hoods	H24B-MCV-2L/SC.1S	111 024 041 8101
	for housings	H24B-MCV-2L/SC.2	111 024 041 8102



Please refer to page 15-02 for choosing proper model of lock.

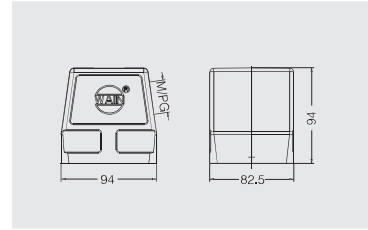
32B Metal hoods/housings

Degree of protection: IP65

Hoods, side entry



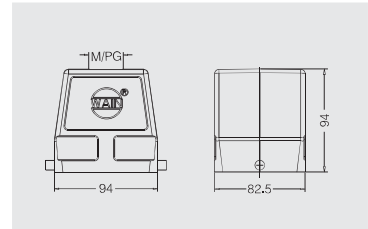
Thread	Designation	Order No.
M32	H32B-SE-2B-M32	111 032 515 1004
M40	H32B-SE-2B-M40	111 032 515 1005
M50	H32B-SE-2B-M50	111 032 515 1006
PG29	H32B-SE-2B-PG29	111 032 515 1012
PG36	H32B-SE-2B-PG36	111 032 515 1013
PG42	H32B-SE-2B-PG42	111 032 515 1014



Hoods, top entry



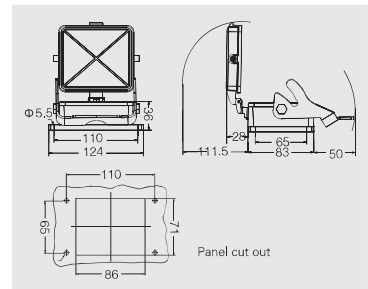
Thread	Designation	Order No.
M32	H32B-TE-2B-M32	111 032 415 1004
M40	H32B-TE-2B-M40	111 032 415 1005
M50	H32B-TE-2B-M50	111 032 415 1006
PG29	H32B-TE-2B-PG29	111 032 415 1012
PG36	H32B-TE-2B-PG36	111 032 415 1013
PG42	H32B-TE-2B-PG42	111 032 415 1014



Housings, bulkhead mounting



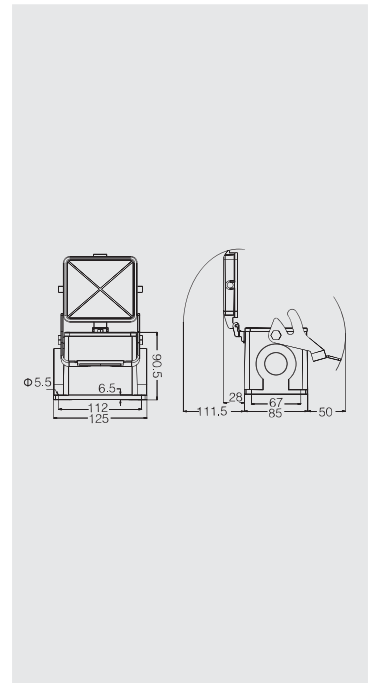
Thread	Designation	Order No.
---	H32B-BK-1L/S	111 032 325 1001
	with plastic cover	
---	H32B-BK-1L/S-CV	111 032 365 1001
	with metal cover	
---	H32B-BK-1L/S-MCV	111 032 365 1101



Housings, surface mounting



Thread	Designation	Order No.
M32	H32B-SF-1L/S-M32	111 032 225 1004
2M32	H32B-SF-1L/S-2M32	111 032 225 1024
M40	H32B-SF-1L/S-M40	111 032 225 1005
2M40	H32B-SF-1L/S-2M40	111 032 225 1025
PG29	H32B-SF-1L/S-PG29	111 032 225 1012
2PG29	H32B-SF-1L/S-2PG29	111 032 225 1032
PG36	H32B-SF-1L/S-PG36	111 032 225 1013
2PG36	H32B-SF-1L/S-2PG36	111 032 225 1033
	with plastic cover	
M32	H32B-SF-1L/S-CV-M32	111 032 265 1004
2M32	H32B-SF-1L/S-CV-2M32	111 032 265 1024
M40	H32B-SF-1L/S-CV-M40	111 032 265 1005
2M40	H32B-SF-1L/S-CV-2M40	111 032 265 1025
PG29	H32B-SF-1L/S-CV-PG29	111 032 265 1012
2PG29	H32B-SF-1L/S-CV-2PG29	111 032 265 1032
PG36	H32B-SF-1L/S-CV-PG36	111 032 265 1013
2PG36	H32B-SF-1L/S-CV-2PG36	111 032 265 1033
	with metal cover	
M32	H32B-SF-1L/S-MCV-M32	111 032 265 1104
2M32	H32B-SF-1L/S-MCV-2M32	111 032 265 1124
M40	H32B-SF-1L/S-MCV-M40	111 032 265 1105
2M40	H32B-SF-1L/S-MCV-2M40	111 032 265 1125
PG29	H32B-SF-1L/S-MCV-PG29	111 032 265 1112
2PG29	H32B-SF-1L/S-MCV-2PG29	111 032 265 1132
PG36	H32B-SF-1L/S-MCV-PG36	111 032 265 1113
2PG36	H32B-SF-1L/S-MCV-2PG36	111 032 265 1133

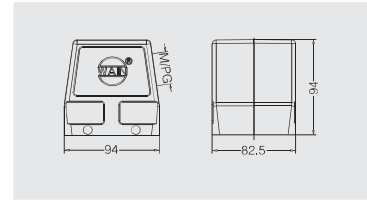


Degree of protection: IP65

Hoods, side entry



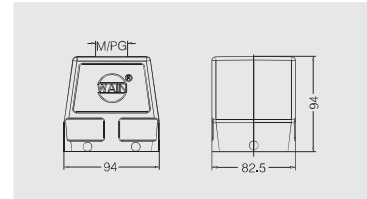
Thread	Designation	Order No.
M32	H32B-SE-4B-M32	111 032 530 1004
M40	H32B-SE-4B-M40	111 032 530 1005
M50	H32B-SE-4B-M50	111 032 530 1006
PG29	H32B-SE-4B-PG29	111 032 530 1012
PG36	H32B-SE-4B-PG36	111 032 530 1013
PG42	H32B-SE-4B-PG42	111 032 530 1014



Hoods, top entry



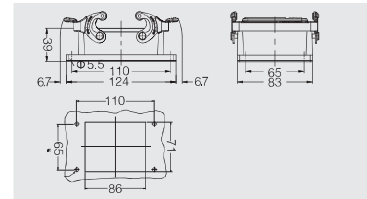
Thread	Designation	Order No.
M32	H32B-TE-4B-M32	111 032 430 1004
M40	H32B-TE-4B-M40	111 032 430 1005
M50	H32B-TE-4B-M50	111 032 430 1006
PG29	H32B-TE-4B-PG29	111 032 430 1012
PG36	H32B-TE-4B-PG36	111 032 430 1013
PG42	H32B-TE-4B-PG42	111 032 430 1014



Housings, bulkhead mounting



Thread	Designation	Order No.
---	H32B-BK-2L/SC	111 032 341 1001

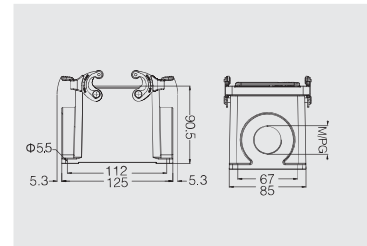


Please refer to page 15-02 for choosing proper model of lock.

Housings, surface mounting



Thread	Designation	Order No.
M32	H32B-SF-2L/SC-M32	111 032 241 1004
2M32	H32B-SF-2L/SC-2M32	111 032 241 1024
M40	H32B-SF-2L/SC-M40	111 032 241 1005
2M40	H32B-SF-2L/SC-2M40	111 032 241 1025
PG29	H32B-SF-2L/SC-PG29	111 032 241 1012
2PG29	H32B-SF-2L/SC-2PG29	111 032 241 1032
PG36	H32B-SF-2L/SC-PG36	111 032 241 1013
2PG36	H32B-SF-2L/SC-2PG36	111 032 241 1033
2PG42	H32B-SF-2L/SC-2PG42	111 032 241 1034

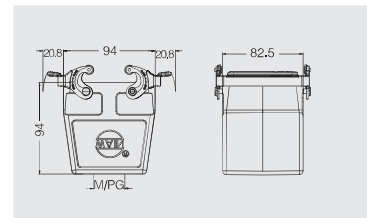


Please refer to page 15-02 for choosing proper model of lock.

Housings, cable to cable



Thread	Designation	Order No.
M32	H32B-CCT-2L/SC-M32	111 032 741 1004
M40	H32B-CCT-2L/SC-M40	111 032 741 1005
M50	H32B-CCT-2L/SC-M50	111 032 741 1006
PG29	H32B-CCT-2L/SC-PG29	111 032 741 1012
PG36	H32B-CCT-2L/SC-PG36	111 032 741 1013
PG42	H32B-CCT-2L/SC-PG42	111 032 741 1014

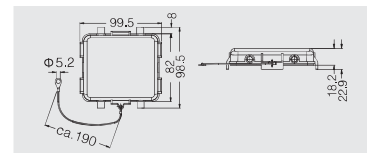


Please refer to page 15-02 for choosing proper model of lock.

Protection covers, metal



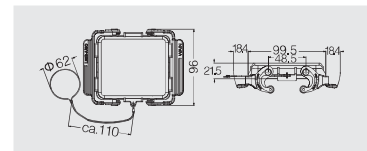
Connect way	Designation	Order No.
	H32B-MCV-4B/2	111 032 030 8102



Protection covers, metal



Connect way	Designation	Order No.
	H32B-MCV-2L/SC.1S	111 032 041 8101



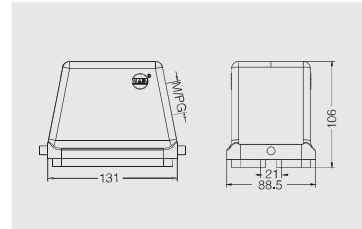
Please refer to page 15-02 for choosing proper model of lock.

Degree of protection: IP65

Hoods, side entry



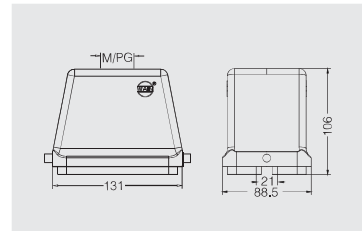
Thread	Designation	Order No.
M32	H48B-SE-2B-M32	111 048 515 1004
M40	H48B-SE-2B-M40	111 048 515 1005
M50	H48B-SE-2B-M50	111 048 515 1006
PG29	H48B-SE-2B-PG29	111 048 515 1012
PG36	H48B-SE-2B-PG36	111 048 515 1013
PG42	H48B-SE-2B-PG42	111 048 515 1014



Hoods, top entry



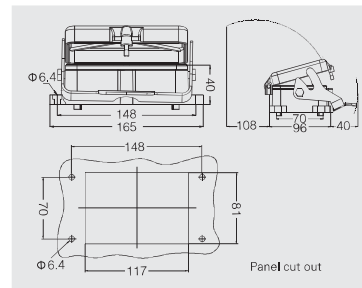
Thread	Designation	Order No.
M32	H48B-TE-2B-M32	111 048 415 1004
M40	H48B-TE-2B-M40	111 048 415 1005
M50	H48B-TE-2B-M50	111 048 415 1006
PG29	H48B-TE-2B-PG29	111 048 415 1012
PG36	H48B-TE-2B-PG36	111 048 415 1013
PG42	H48B-TE-2B-PG42	111 048 415 1014



Bulkhead mounted housings



Thread	Designation	Order No.
---	H48B-BK-1L/S	111 048 325 1001
---	with plastic cover	
---	H48B-BK-1L/S-CV	111 048 365 1001
---	with metal cover	
---	H48B-BK-1L/S-MCV	111 048 365 1101



Surface mounted housings



Thread	Designation	Order No.
M32	H48B-SF-1L/S-M32	111 048 225 1004
2M32	H48B-SF-1L/S-2M32	111 048 225 1024
M40	H48B-SF-1L/S-M40	111 048 225 1005
2M40	H48B-SF-1L/S-2M40	111 048 225 1025
PG29	H48B-SF-1L/S-PG29	111 048 225 1012
2PG29	H48B-SF-1L/S-2PG29	111 048 225 1032
PG36	H48B-SF-1L/S-PG36	111 048 225 1013
2PG36	H48B-SF-1L/S-2PG36	111 048 225 1033
	with plastic cover	
M32	H48B-SF-1L/S-CV-M32	111 048 265 1004
2M32	H48B-SF-1L/S-CV-2M32	111 048 265 1024
M40	H48B-SF-1L/S-CV-M40	111 048 265 1005
2M40	H48B-SF-1L/S-CV-2M40	111 048 265 1025
PG29	H48B-SF-1L/S-CV-PG29	111 048 265 1012
2PG29	H48B-SF-1L/S-CV-2PG29	111 048 265 1032
PG36	H48B-SF-1L/S-CV-PG36	111 048 265 1013
2PG36	H48B-SF-1L/S-CV-2PG36	111 048 265 1033
	with metal cover	
M32	H48B-SF-1L/S-MCV-M32	111 048 265 1104
2M32	H48B-SF-1L/S-MCV-2M32	111 048 265 1124
M40	H48B-SF-1L/S-MCV-M40	111 048 265 1105
2M40	H48B-SF-1L/S-MCV-2M40	111 048 265 1125
PG29	H48B-SF-1L/S-MCV-PG29	111 048 265 1112
2PG29	H48B-SF-1L/S-MCV-2PG29	111 048 265 1132
PG36	H48B-SF-1L/S-MCV-PG36	111 048 265 1113
2PG36	H48B-SF-1L/S-MCV-2PG36	111 048 265 1133

