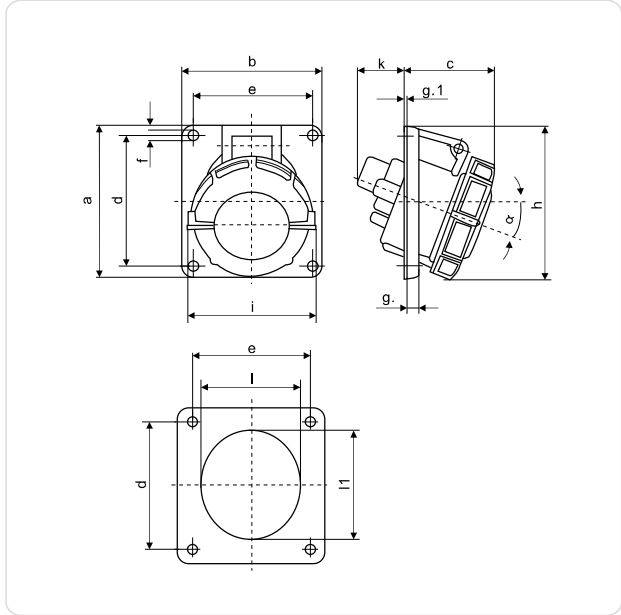


启星 CEE/IEC 国际标准 暗装斜插座

符合欧洲/国际标准 EN/IEC 60309-2

QIXING CEE/IEC International Standard Panel Mounted Angle Socket

Conform to European / international standards EN/IEC 60309-2



| 电流 Current | 极数 Poles | 110V 50a.60Hz | | | 230V 50a.60Hz | | | 400V 50a.60Hz | | | 400-440V | | | 500V 50a.60Hz | | | >50-500V 100-300Hz | | | >50-500V a.300-500Hz | | | 包装单位 packing unit | 重量 Weight |
|---------------|-------------|------------------|---------------|---------------|------------------|---------------|---------------|------------------|---------------|---------------|---------------|---------------|---------------|------------------|----------------|----------------|-----------------------|---------------|---------------|-------------------------|-----------|-------------|----------------------|--------------|
| | | 3极Pole 4时h | 4极Pole 4时h | 5极Pole 4时h | 3极Pole 6时h | 4极Pole 9时h | 5极Pole 9时h | 3极Pole 9时h | 4极Pole 6时h | 5极Pole 6时h | 4极Pole 3时h | 3极Pole 7时h | 4极Pole 7时h | 5极Pole 7时h | 3极Pole 10时h | 4极Pole 10时h | 5极Pole 10时h | 3极Pole 2时h | 4极Pole 2时h | 5极Pole 2时h | 件数 Pcs | 克/件 g/Pc | | |

IP67 法兰尺寸 Flange Size 73.5 × 64 mm(16A,3P), 100 × 92mm (16A,4P/5P、32A), 暗装插座 Panel Mounted Socket
型号 MODEL

| | | | | | | | | | | | | | | | | | | | | | |
|-----|---|--------|---------------|---------------|--|--|--|--|---------------|--------|--|--|--|--------|--|--|--|--|--|----|------|
| 16 | 3 | QX1474 | QX1475 | QX1476 | | | | | | | | | | | | | | | | 10 | 151 |
| | 4 | QX1477 | QX1478 | QX1479 | | | | | | QX1480 | | | | QX1481 | | | | | | 10 | 203 |
| | 5 | QX1483 | QX1484 | QX1485 | | | | | | | | | | | | | | | | 10 | 237 |
| 32 | 3 | QX1501 | QX1502 | QX1503 | | | | | | | | | | | | | | | | 10 | 281 |
| | 4 | QX1504 | QX1505 | QX1506 | | | | | QX2223 | QX1507 | | | | QX1567 | | | | | | 10 | 291 |
| | 5 | QX1489 | QX1490 | QX1551 | | | | | | | | | | | | | | | | 10 | 334 |
| 63 | 3 | QX2179 | QX2180 | QX2181 | | | | | | | | | | | | | | | | 5 | 520 |
| | 4 | QX203 | QX204 | QX205 | | | | | | QX206 | | | | | | | | | | 5 | 607 |
| | 5 | QX207 | QX208 | QX209 | | | | | | QX3507 | | | | | | | | | | 5 | 668 |
| 125 | 3 | QX2071 | QX3575 | QX2091 | | | | | | | | | | | | | | | | 5 | 840 |
| | 4 | QX210 | QX211 | QX212 | | | | | | QX213 | | | | | | | | | | 5 | 940 |
| | 5 | QX214 | QX215 | QX216 | | | | | | | | | | | | | | | | 5 | 1171 |

参数 Parameter

| 尺寸(毫米) size(mm) | 安培 Amp 16 | | | 安培 Amp 16 | | | 安培 Amp 32 | | | 安培 Amp 32 | | | 安培 Amp 63 | | | 安培 Amp 63 | | | 安培 Amp 125 | | | 安培 Amp 125 | | | | | | | | | |
|--------------------|-----------------|-----|-----|---|-------------|-----|-----------------|-----|-------------|-----------------|---|----|-----------------|-----|-----|-----------------|-------------|---|------------------|-----|-------------|------------------|-------|-----|---|-----|-----|-----|-----|-----|-----|
| | 极数 Poles | 3 | 4 | 5 | 极数 Poles | 3 | 4 | 5 | 极数 Poles | 3 | 4 | 5 | 极数 Poles | 3 | 4 | 5 | 极数 Poles | 3 | 4 | 5 | 极数 Poles | 3 | 4 | 5 | | | | | | | |
| a | 73.5 | 100 | 100 | i | 78 | 85 | 96 | a | 100 | 100 | 100 | i | 103 | 103 | 110 | a | 110 | 110 | 110 | h | 115 | 115 | 115 | a | 114 | 114 | 114 | h | 125 | 125 | 125 |
| b | 64 | 92 | 92 | k | 46 | 32 | 33 | b | 92 | 92 | 92 | k | 55 | 55 | 48 | b | 106 | 106 | 106 | i | 117 | 117 | 117 | b | 110 | 110 | 110 | i | 135 | 135 | 135 |
| c | 52 | 59 | 62 | l | 55 | 70 | 70 | c | 64 | 64 | 66 | l | 70 | 70 | 73 | c | 83 | 83 | 83 | l | 86 | 86 | 86 | c | 75 | 75 | 75 | l | 100 | 100 | 100 |
| d | 60 | 85 | 85 | ll | 65 | 80 | 80 | d | 85 | 85 | 85 | ll | 82 | 82 | 85 | d | 85 | 85 | 85 | ll | 98 | 99 | 99 | d | 90 | 90 | 90 | ll | 107 | 107 | 107 |
| e | 52 | 77 | 77 | α | 20° | 20° | 20° | e | 77 | 77 | 77 | α | 20° | 20° | 20° | e | 77 | 77 | 77 | k | 62 | 62 | 62 | e | 90 | 90 | 90 | k | 98 | 98 | 98 |
| f | 5.3 | 5.3 | 5.3 | 导线横截面积(平方毫米) 从最小至最大 | | | f | 5.5 | 5.5 | 5.5 | 导线横截面积(平方毫米) 从最小至最大 | | | f | 6.5 | 6.5 | 6.5 | α | 20° | 20° | 20° | f | 6.2 | 6.2 | 6.2 | α | 15° | 15° | 15° | | |
| g | 7 | e | 8 | Conductor cross-sectional area (mm ²)Min. To Max | | | g | 8 | 8 | 8 | Conductor cross-sectional area (mm ²)Min. To Max | | | g | 12 | 12 | 12 | 导线横截面积(平方毫米) 从最小至最大 | | | g | 13 | 13 | 13 | 导线横截面积(平方毫米) 从最小至最大 | | | | | | |
| g1 | 2 | 2 | 2 | 1.5-2.5 | | | g1 | 2 | 2 | 2 | 4-6 | | | g1 | 2 | 2 | 2 | Conductor cross-sectional area (mm ²)Min. To Max | | | g1 | 2 | 2 | 2 | Conductor cross-sectional area (mm ²)Min. To Max | | | | | | |
| h | 84 | 103 | 105 | | | | h | 109 | 109 | 113 | | | | | | | 10-16 | | | | | | 25-35 | | | | | | | | |