

TAIWAY®

Switches

Since 1976

● 產品介紹 Introduction of products ●

泰瑋電子有限公司

TAIWAY ELECTRONICS COMPONENTS CO., LTD

TAIWAY



Series II Anti-Vandal Indicator

TAIWAY ELECTRONICS COMPONENTS CO., LTD

Product Group *NEW!*

Anti-Vandal Indicator _{CE}

Type	Indicator Light – IL-NI Series
Mounting	6, 8, 10, 12, 14, 16, 19, 22, 25mm
Current Consumption	15~20mA
Voltage Range	AC/DC Compatible 6V, 12V, 24V, 36V 110V, 220V (limited models only)
Illumination Type	Flat, Domed, T-Flat
Terminal Option	Tab, Screw Terminal (limited models only)
LED Option	Red, Green, Yellow, Orange, Blue, White
Features	<ul style="list-style-type: none"> •Choice of bushing materials and illumination types •IP67 front panel protection class •Operating temperature: -40 to +85 Celsius Degree
Applications	<ul style="list-style-type: none"> •Instruments

Anti-Vandal Indicator _{CE}



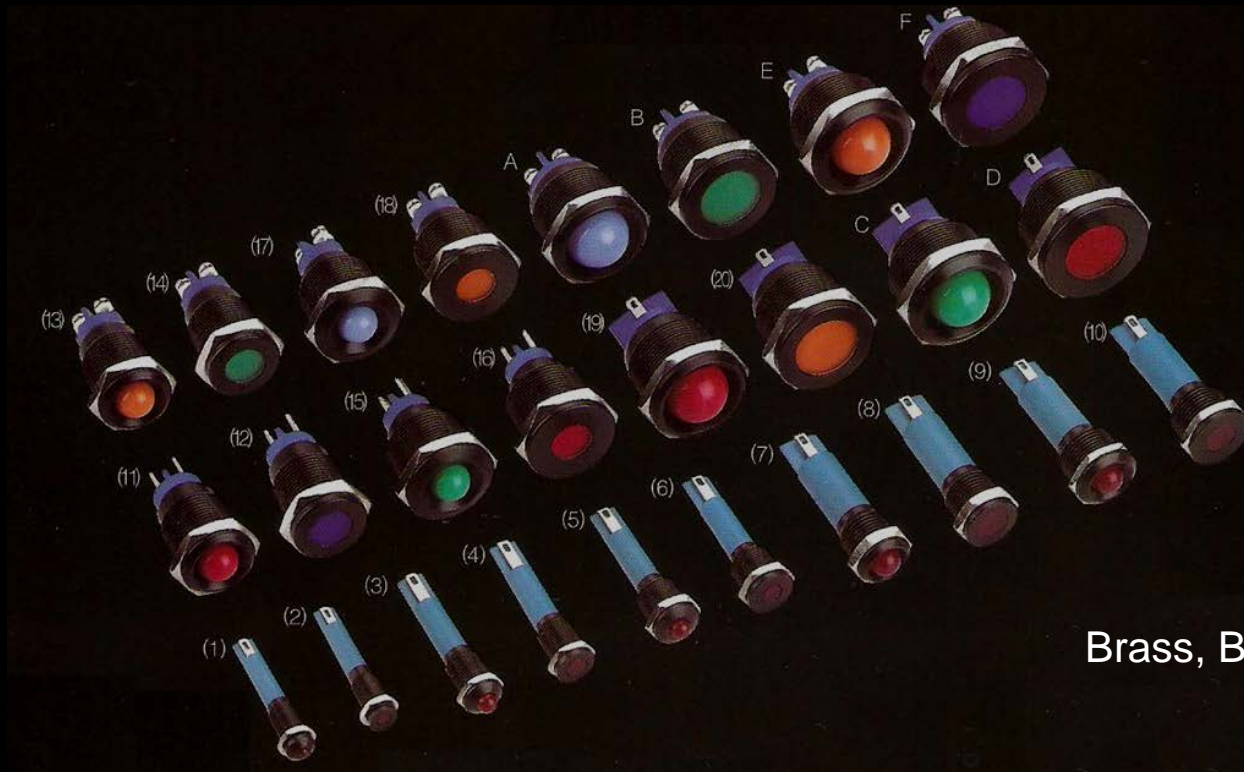
Brass, Nickel Finish

Anti-Vandal Indicator _{CE}



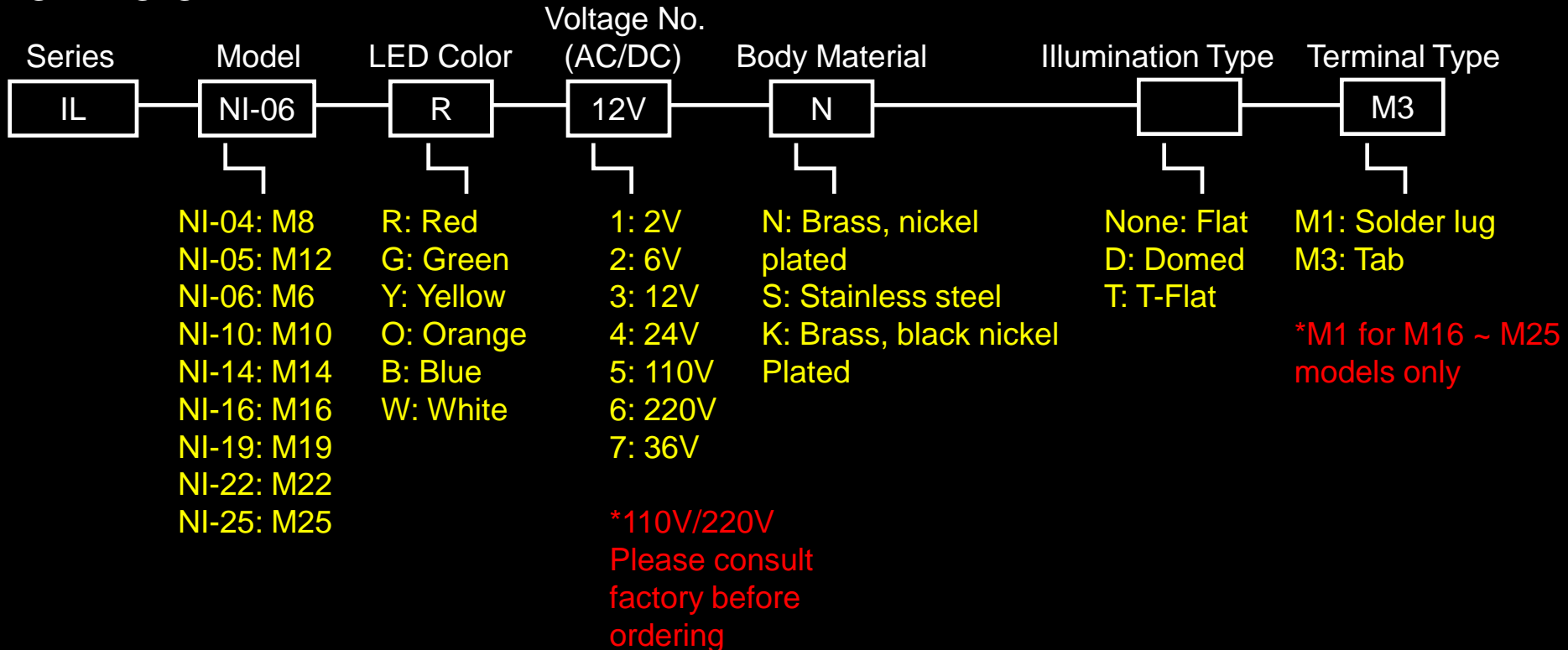
Stainless Steel Finish

Anti-Vandal Indicator _{CE}



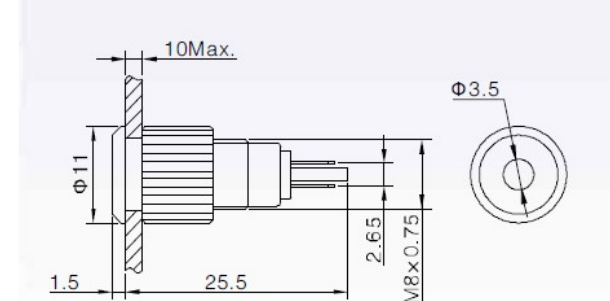
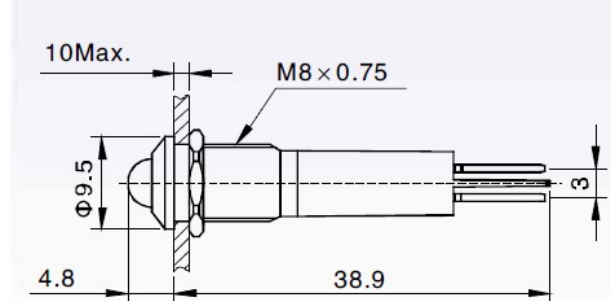
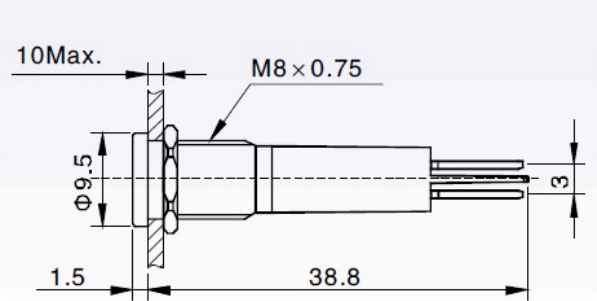
Brass, Black Nickel Finish

HOW TO ORDER



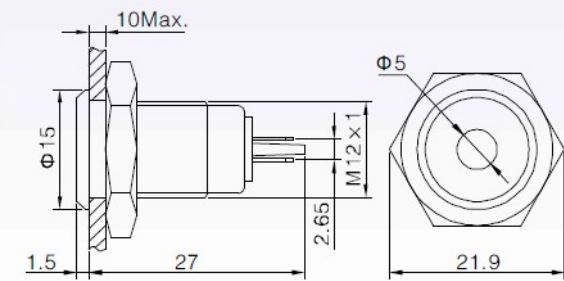
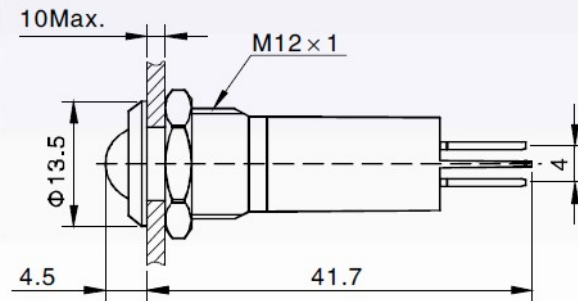
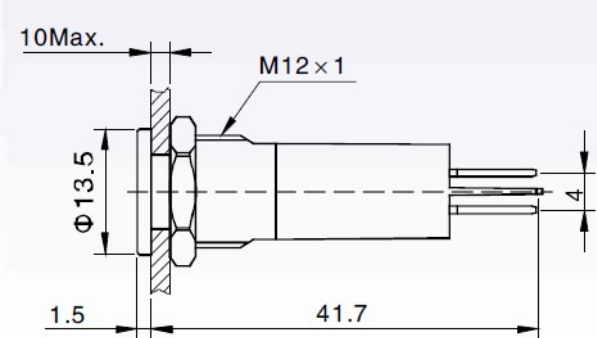
NI-04 Model

Anti-Vandal Indicator _{CE}



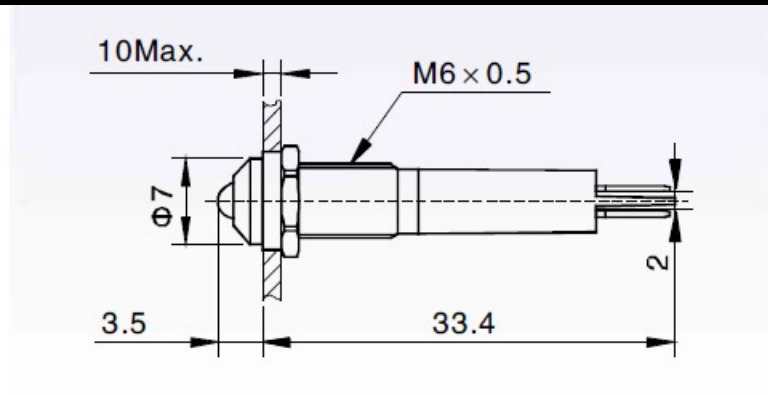
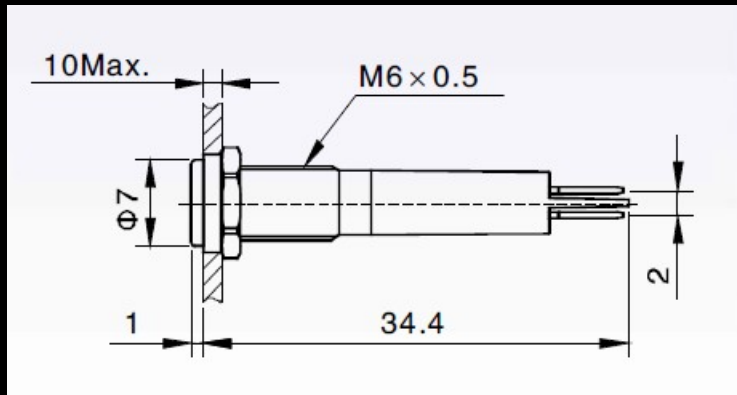
NI-05 Model

Anti-Vandal Indicator _{CE}



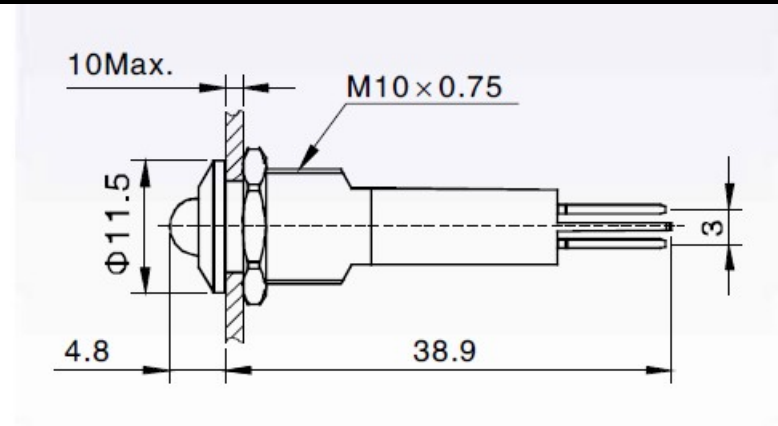
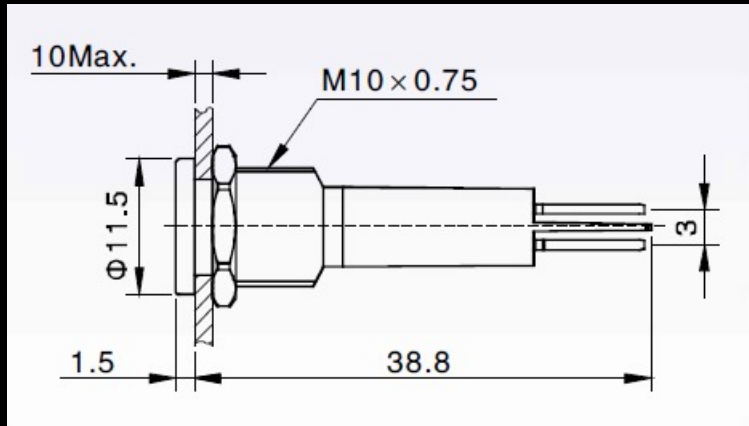
NI-06 Model

Anti-Vandal Indicator _{CE}



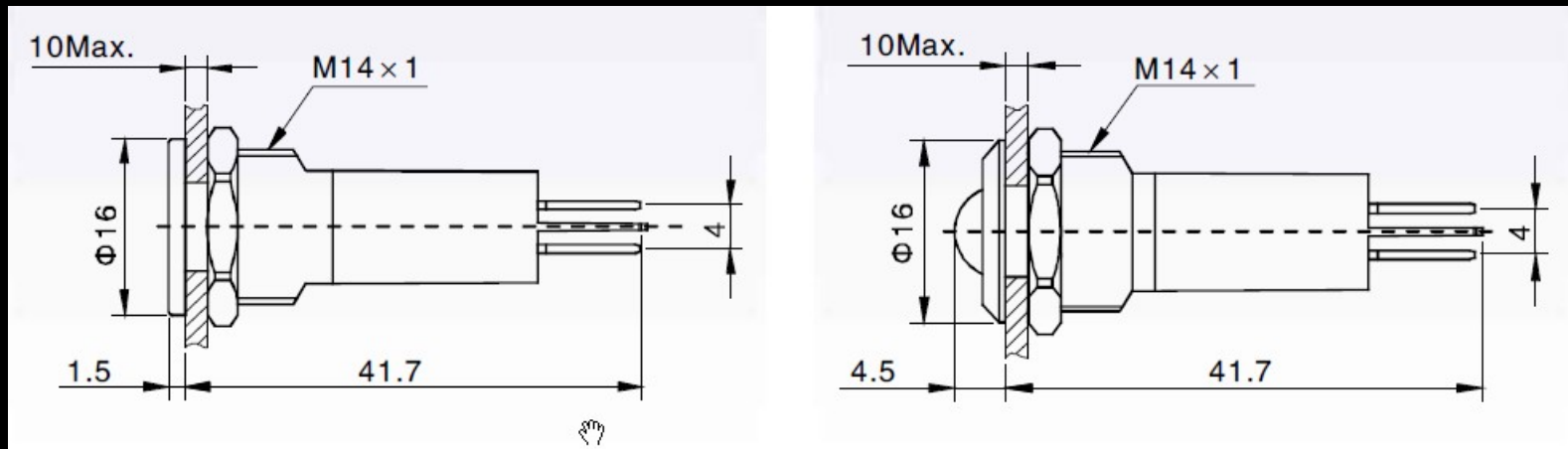
NI-10 Model

Anti-Vandal Indicator _{CE}



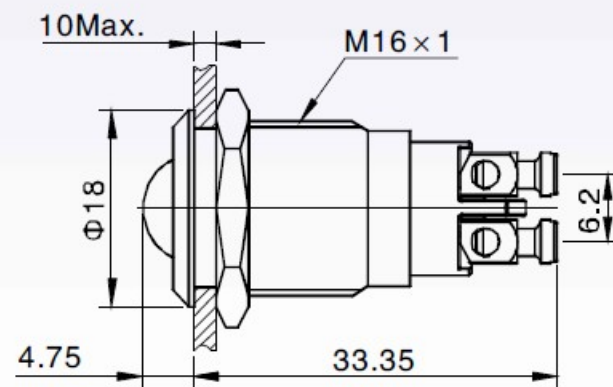
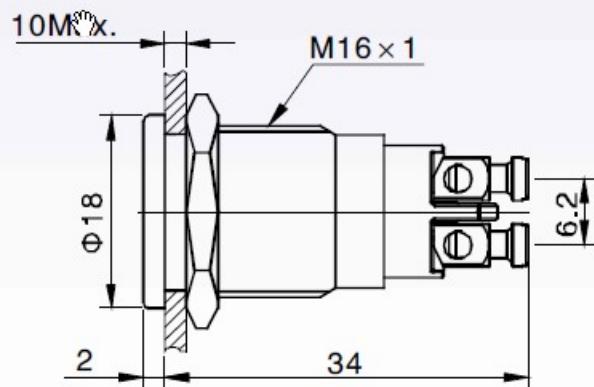
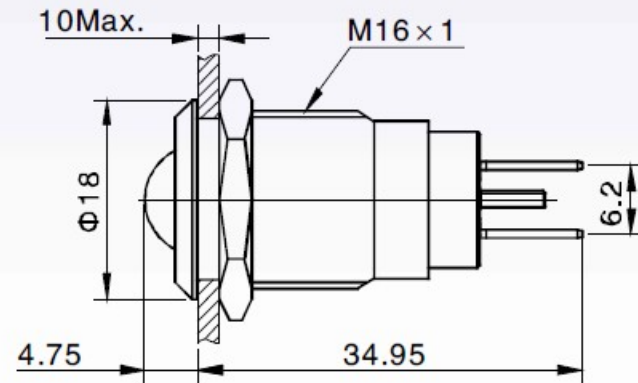
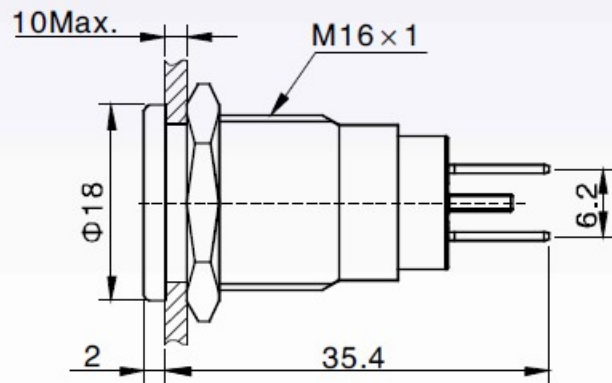
NI-14 Model

Anti-Vandal Indicator _{CE}



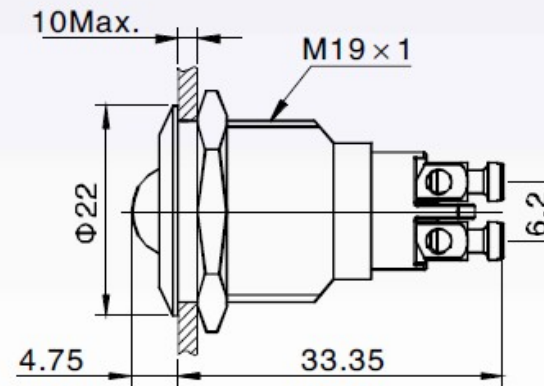
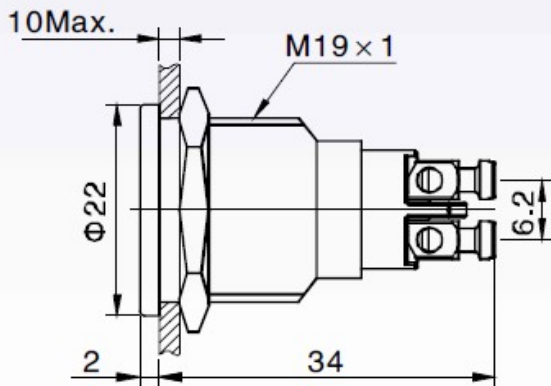
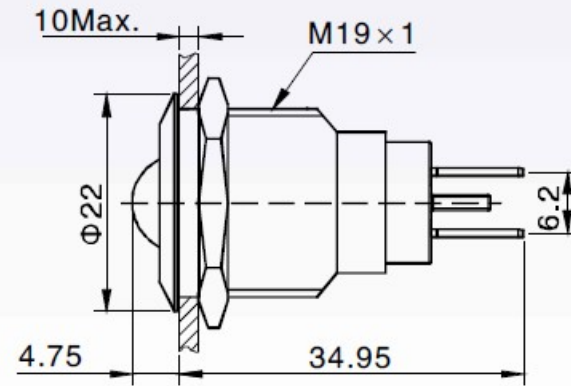
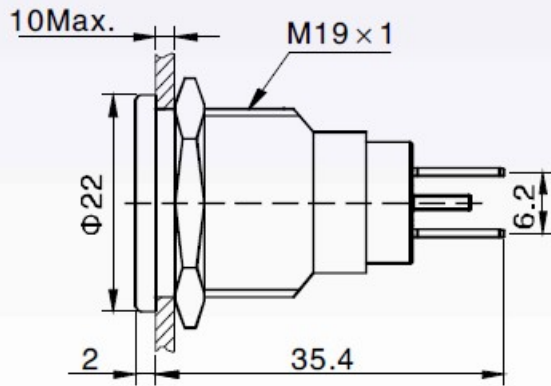
NI-16 Model

Anti-Vandal Indicator _{CE}



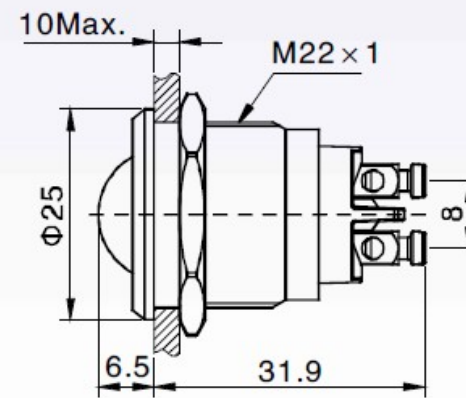
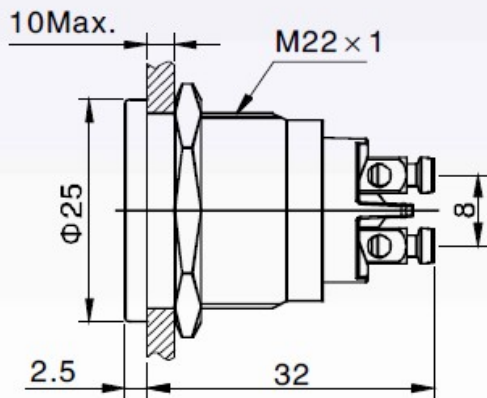
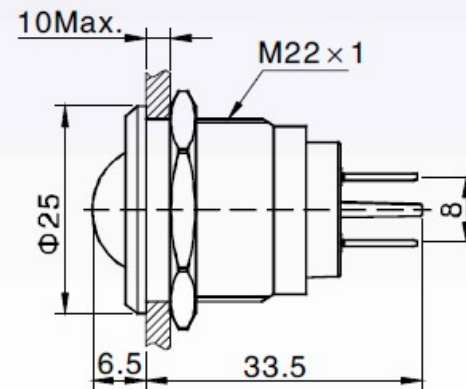
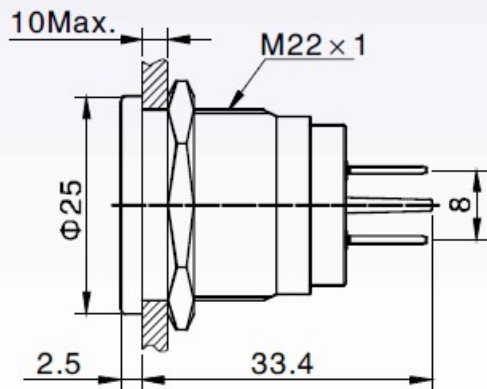
NI-19 Model

Anti-Vandal Indicator _{CE}



NI-22 Model

Anti-Vandal Indicator _{CE}



NI-25 Model

Anti-Vandal Indicator _{CE}

