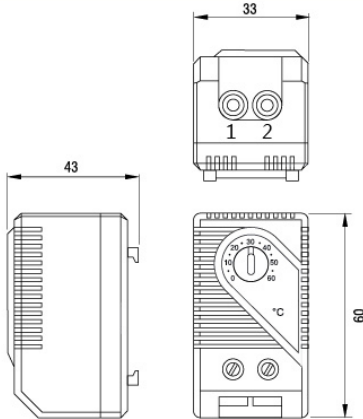


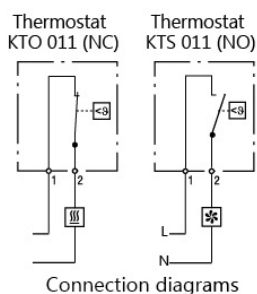


- Large setting range
 - Small size
 - Simple to mount
 - High switching performance
- KTO 011:** Thermostat (normally closed); contact breaker for regulating heaters.
- KTS 011:** Thermostat (normally open); contact maker for regulating filter fans and heat exchangers or for switching signal device when temperature limit has been exceeded.

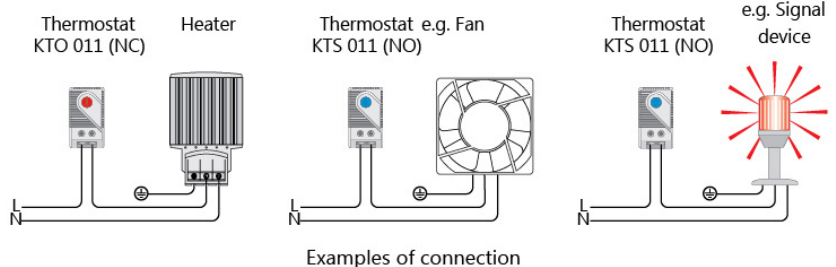
Installing method



Temperature range	0-60°C
KTO 011 NC (Normally closed)	When the temperature reaches the set value, open circuit
KTS 011 NO (Normally open)	When the temperature exceeds the set value action, closed circuit
Switch temperature difference	7K(±4K tolerance)
Sensor element	thermostatic bimetal
Contact type	Snap-action
Contact resistance	< 10m ohm (Incidental connection line)
Service life	> 100,000 cycles
Max. Switching capacity	250VAC, 10(2)A
	120VAC, 15(2)A
	30WDC at 24VDC to 72VDC
Connection	2-pole terminal, clamping torque 0.5Nm max.: rigid wire 2.5mm ² , stranded wire (with wire end ferrule) 1.5mm ²
Casing	plastic according to UL94 V-0, light grey
Installation	35mm DIN Installation guide
Dimensions	60×33×43mm
Weight	40g
fitting position	variable
Operating/Storage temperature	-20°C to +80°C
Protection type	IP20



Heater
 Filter fan, Cooling equipment, Signal device



Setting range	Art. No. Contact Breaker (NC)	Art. No. Contact Maker (NO)	Approvals
0 to +60°C	KTO 011	KTS 011	CE