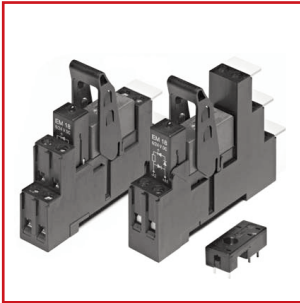


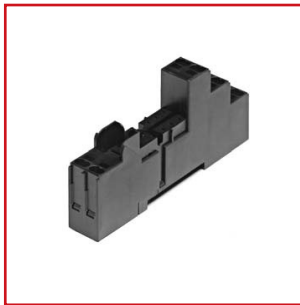
DATA SHEET: ACCESSORIES INDUSTRIAL POWER RELAY RT AND XT



- For Industrial Power Relay RT and XT pinnings 3.5mm / 5mm; relay height 15.7 mm
- New retainer clip with ejection function
- Easy replacement of relays on a densely packed DIN rail
- No reduction of protection class or creepage/clearance with plastic retainer
- Simple plug-in indicator- and protection modules
- White snap-on marking tags
- RoHS compliant (Directive 2002/95/EC)

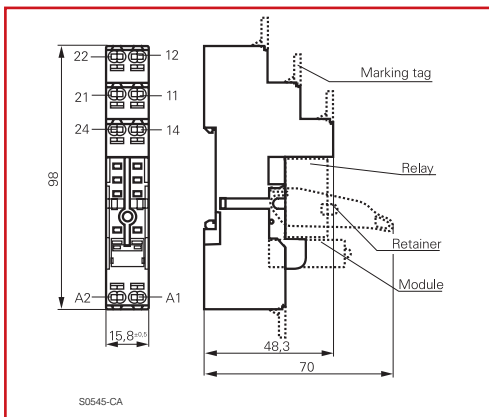
PREMIUM SOCKET WITH SCREWLESS TERMINALS FOR DIN RAIL MOUNTING

RT7872P Premium socket, logical terminal arrangement

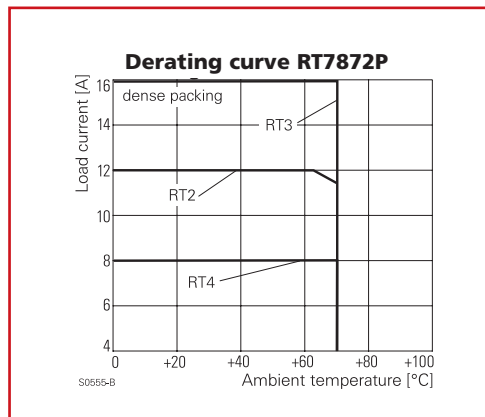


- Screwless Clamps
- Mounting of solid wires without tool
- Double Clamps per terminal
- Jumper links for interconnection
- Open coil circuit for active modules
- Logical terminal arrangement

DIMENSIONS



DERATING CURVE



APPROVALS

VDE REG.-No. 6106, **UL** E135149

TECHNICAL DATA

Technical Data	
Rated current	2 x 8 A, 16A*)
Rated voltage / max. switching voltage AC	240 / 400 VAC
Dielectric strength coil-contact circuit	5000 V _{rms}
open contact circuit	1000 V _{rms}
adjacent contact circuits	2500 V _{rms}
Clearance / creepage coil-contact circuit	≧ 10 / 10 mm
Material group of insulation parts	IIIa
Insulation to IEC 60664-1	
Type of insulation coil-contact circuit	reinforced
open contact circuit	functional
adjacent contact circuits	functional
Rated insulation voltage	250 V
Pollution degree	2
Rated voltage system	230 / 400 V
Overtoltage category	III
RoHS-Directive 2002/95/EC	compliant
Protection DIN 40050	IP20
Ambient temperature range for mounting/handling	-20...+70°C
in operation	-40...+70°C
Terminals	screwless
Wire strip length	12 mm
Wire cross section	
solid wire	1 x 0,75 / 1 / 1,5 mm ²
with standard isolation (no oversize isolation)	2 x 0,75 / 1 mm ² 2 x 1,5 mm ²
stranded wire	1 x 0,75 / 1 / 1,5 mm ²
without bootlace crimp	2 x 0,75 / 1 mm ² 2 x 1,5 mm ²
without bootlace crimp with standard isolation	2 x 1,5 mm ²
with bootlace crimp	1 x 0,75 / 1 mm ²
with bootlace crimp without isolation	2 x 0,75 mm ² 1 x 1,5 mm ²
or min 18 mm long	

For stranded wires with braids 0.05 mm or smaller the use of bootlace crimps is recommended. When using stranded wires without bootlace crimp the clamp must be opened during insertion.

Insertion cycles	A (10)
Max. Insertion Force total	100 N
Mounting distance	≧ 0, dense packing
Weight	36 g
Packaging unit	10 pcs

*) For 1 pole relays (16 A) the relay terminals 11-21, 12-22 and 14-24 have to be bridged. Not suitable for bistable relays with 2 coils!

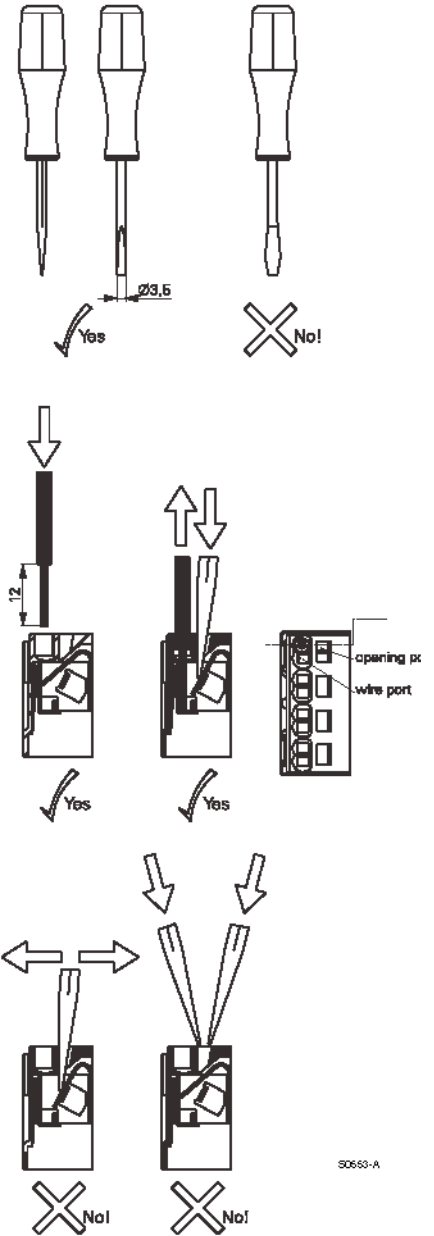
Socket with screwless terminals for DIN rail mounting

Type	Order No.
RT7872P Premium socket, logical terminal arrangement Socket with screwless terminals, pinning 5 mm for DIN rail mounting	RT7872P

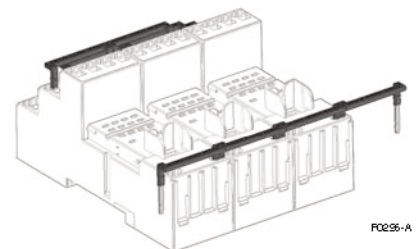
Accessories for RT7872P

Type	Order No.
RT17017 Plastic retaining clip, relay height 15.7	RT17017
XT17017 Plastic retaining clip, relay height 25.5	XT17017
RT170P1 Jumper link, max load 12 A	RT170P1
YRT16040 Marking tag	YRT16040

HOW TO USE / PRECAUTIONS



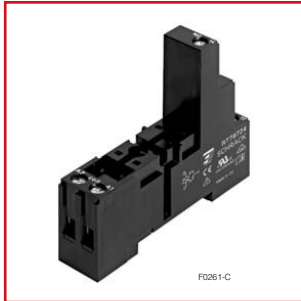
Jumper link



SOCKET WITH SCREW-TYPE TERMINALS FOR DIN RAIL MOUNTING

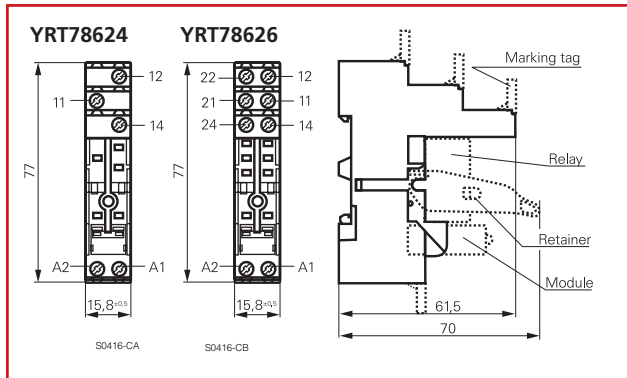
YRT78624 Socket with screw-type terminals, pinning 3.5 mm for DIN rail mounting

YRT78626 Socket with screw-type terminals, pinning 5 mm for DIN rail mounting, logical terminal arrangement

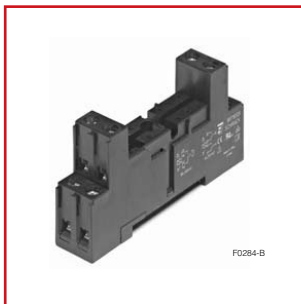


- Din-rail socket with logical setup of connections (input/output)
- High quality rising clamp terminals
- Captive combination terminal screws
- Jumper bars for interconnection

DIMENSIONS

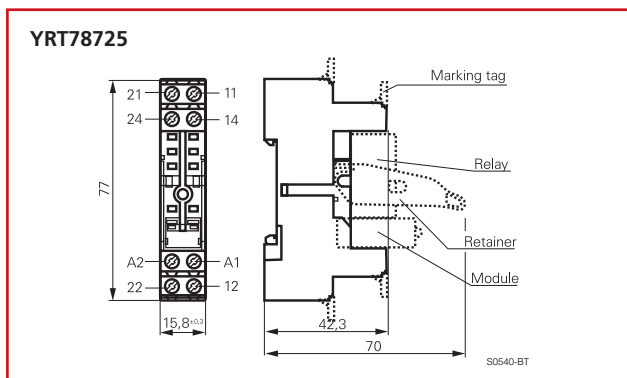


YRT78725 Socket with screw-type terminals, pinning 5 mm for DIN rail mounting, conventional terminal arrangement

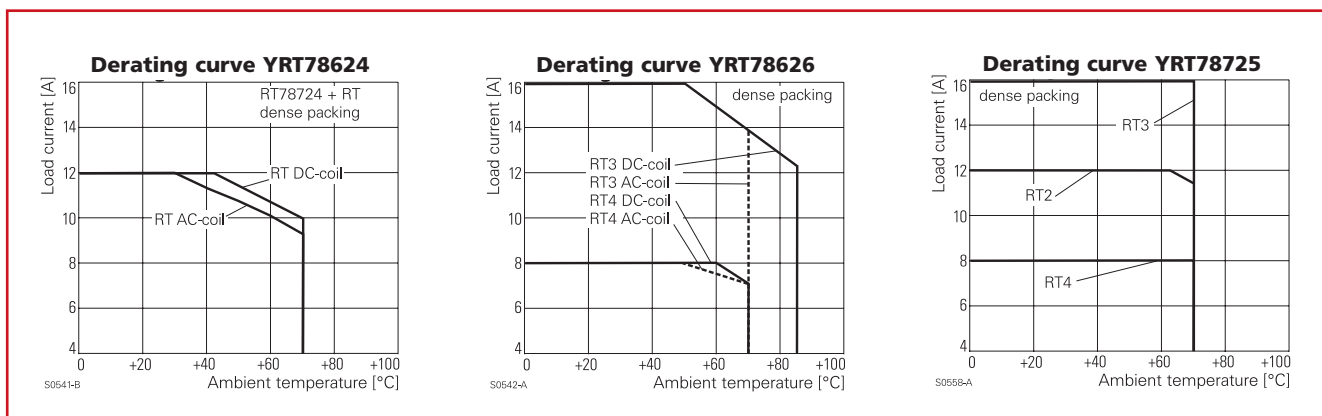


- Conventional terminal arrangement

DIMENSIONS



DERATING CURVES



APPROVALS



TECHNICAL DATA

Technical Data		YRT78624 / YRT78626 / YRT78725
Rated current	12 A, 2 x 8 A, 16 A *)	
Rated voltage / max. switching voltage AC	240 / 400 VAC	
Dielectric strength coil-contact circuit	5000 V _{rms} / 5000 V _{rms} / 4000 V _{rms}	
open contact circuit	1000 V _{rms} / 1000 V _{rms} / 1000 V _{rms}	
adjacent contact circuits	2500 V _{rms} / 2500 V _{rms} / 2500 V _{rms}	
Clearance / creepage coil-contact circuit	≥ 10/10 mm / ≥ 10/10 mm / ≥ 4.7/4.7 mm	
Material group of insulation parts	IIIa	
Insulation to IEC 60664-1		
Type of insulation coil-contact circuit	reinforced / reinforced / basic	
open contact circuit	functional	
adjacent contact circuits	functional	
Rated insulation voltage	250 V	
Pollution degree	2	
Rated voltage system	230 / 400 V	
Overvoltage category	III	
RoHS-Directive 2002/95/EC	compliant	
Protection DIN 40050	IP20	
Ambient temperature range for mounting/handling	-20...+70°C	
in operation	-40...+70°C	
Terminals	screw	
Terminal screw torque acc. IEC 61984	0,5 Nm	
max.	0,7 Nm	
Wire cross section		
single wire	2 x 2,5 mm ²	
fine wire	2 x 2,5 mm ²	
with bootlace crimp (DIN 46228/1)	2 x 1.5 mm ²	
Insertion cycles	A (10)	
Max. Insertion Force total	100 N	
Mounting distance	≥ 0, dense packing	
Weight	36 g	
Packaging unit	10 pcs	

Not suitable for bistable relays with 2 coils!

*) For 1 pole relays (16 A) the relay terminals 11-21, 12-22 and 14-24 have to be bridged.

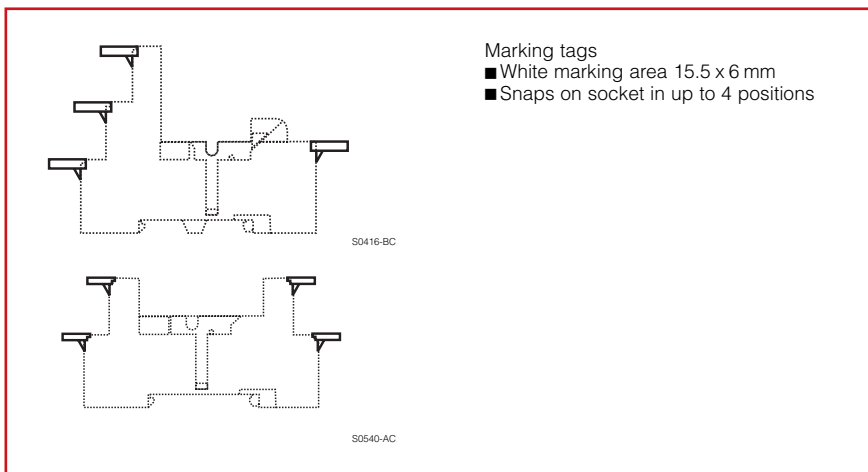
For 1 pole relays (12 A) the relay terminals 11-12-14 have to be connected to the socket terminals 21-12-24.

Socket with screw-type terminals for DIN rail mounting

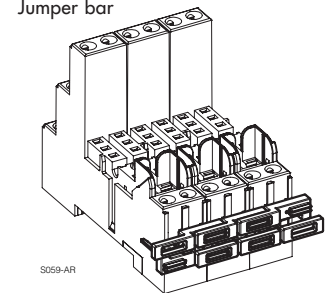
Type		Order No.
YRT78624	Socket with screw-type terminals, pinning 3.5 mm for DIN rail mounting, logical terminal arrangement	YRT78624
YRT78626	Socket with screw-type terminals, pinning 5 mm for DIN rail mounting, logical terminal arrangement	YRT78626
YRT78725	Socket with screw-type terminals, pinning 5 mm for DIN rail mounting, conventional terminal arrangement	YRT78725

Accessories for YRT78624, YRT78626, YRT78725

Type		Order No.
RT17017	Plastic retaining clip, relay height 15.7	RT17017
XT17017	Plastic retaining clip, relay height 25.5	XT17017
RT170R8	Jumper bar, max load 12 A for connection of up to 8 RT sockets	RT170R8
YRT16040	Marking tag	YRT16040

 **MARKING TAGS**

 **HOW TO USE**

Jumper bar



LED- AND PROTECTION MODULES FOR YRT78624, YRT78626, YRT78725



Easy insertion of module into the socket

Wiring in parallel to the coil

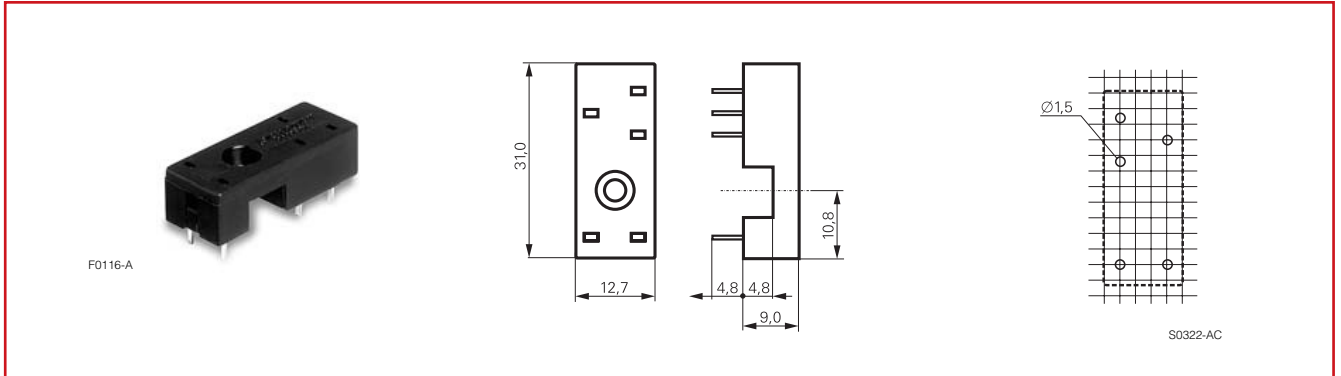
Type			Order No.
YMF DG230	EM09	Protection diode (standard, A1+, A2-)	YMF DG230
YMRCW024	EM02	RC-network 6...60 VAC	YMRCW024
YMRCW030	EM03	RC-network 110...230 VAC	YMRCW030
YMVAW024	EM04	Varistor 24 VAC	YMVAW024
YMVAW030	EM05	Varistor 230 VAC	YMVAW230

LED

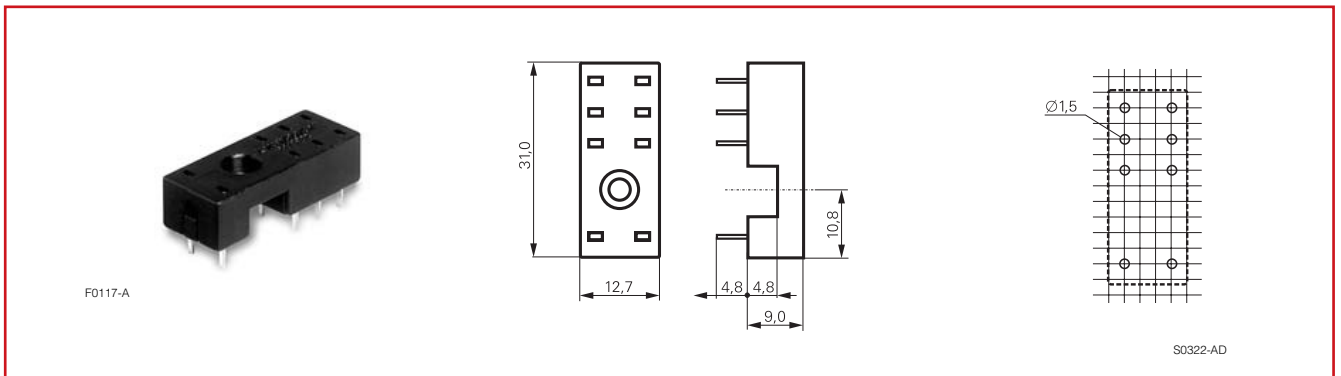
YMLRD024A	EM18	red LED 6...24 VDC w. prot.diode (std, A1+, A2-)	YMLRD024A
YMLGD024	EM12	green LED 6...24 VDC w. prot.diode (std, A1+, A2-)	YMLGD024
YMLRD024	EM08	red LED 6...24 VDC w. prot. diode (A1-, A2+)	YMLRD024
YMLRA024	EM07	red LED 6...24 VDC/VAC	YMLRA024
YMLGA024	EM11	green LED 6...24 VDC/VAC	YMLGA024
YMLRW230	EM06	red LED 110...230 VAC	YMLRW230
YMLGW230	EM10	green LED 110...230 VAC	YMLGW230

SOCKETS FOR PCB MOUNT RP78601/602

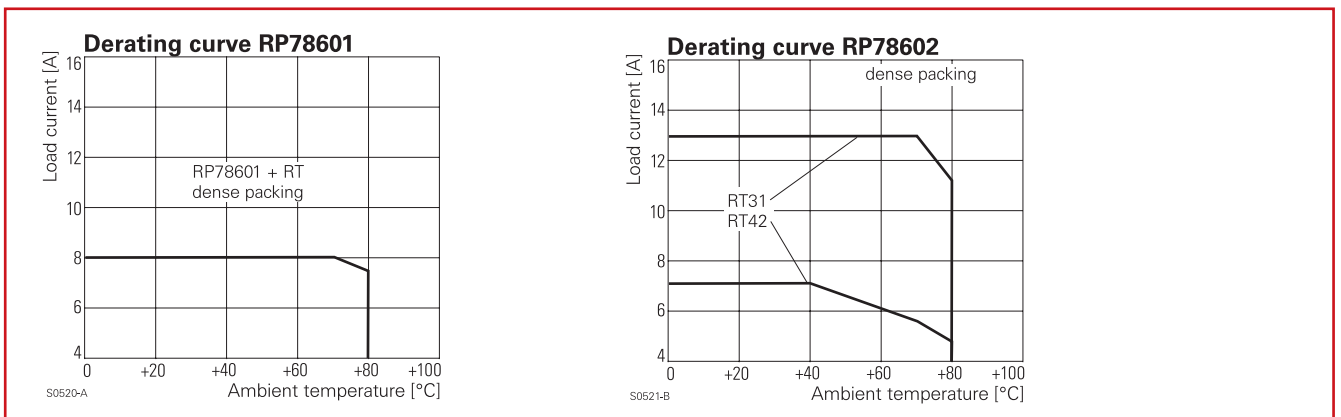
RP78601 Socket with PCB terminals, pinning 3.5 mm



RP78602 Socket with PCB terminals, pinning 5 mm



DERATING CURVES



APPROVALS



■ TECHNICAL DATA

Technical Data		RP78601 / RP78602
Rated current		12 A *)
Limiting continuous current		see derating curve
Rated voltage / max. switching voltage AC		240 / 400 VAC
Dielectric strength coil-contact circuit		4000 V _{rms}
open contact circuit		1000 V _{rms}
adjacent contact circuits		2500 V _{rms}
Clearance / creepage coil-contact circuit		≧ 10 / 10 mm
Material group of insulation parts		IIIa
Insulation to IEC 60664-1		
Type of insulation coil-contact circuit		reinforced
open contact circuit		functional
adjacent contact circuits		functional
Rated insulation voltage		250 V
Pollution degree		2
Rated voltage system		230/400 V
Overvoltage category		III
RoHS-Directive 2002/95/EC		compliant
Protection DIN 40050		IP20
Ambient temperature range		-40...+80°C
Terminals		pcb
Insertion cycles		A (10)
Max. Insertion Force total		100 N
Mounting distance		≧ 0, dense packing
Resistance to soldering heat		270°C / 10 s
Weight		3g
Packaging unit		100 pcs

*) For 1 pole relays (16 A) the relay terminals 11-21, 12-22 and 14-24 have to be bridged on the PCB.

Socket with PCB terminals

Type		Order No.
RP78601	Socket with PCB terminals, pinning 3.5 mm	RP78601
RP78602	Socket with PCB terminals, pinning 5 mm	RP78602

Accessories for RP78601, RP78602

Type		Order No.
RT16041	Plastic retaining clip RT, relay height 15.7 mm	RT16041
RT28516	Metal retaining clip RT, relay height 15.7 mm	RT28516
RP16100	Metal retaining clip RT, relay height 25.2 mm	RP16100