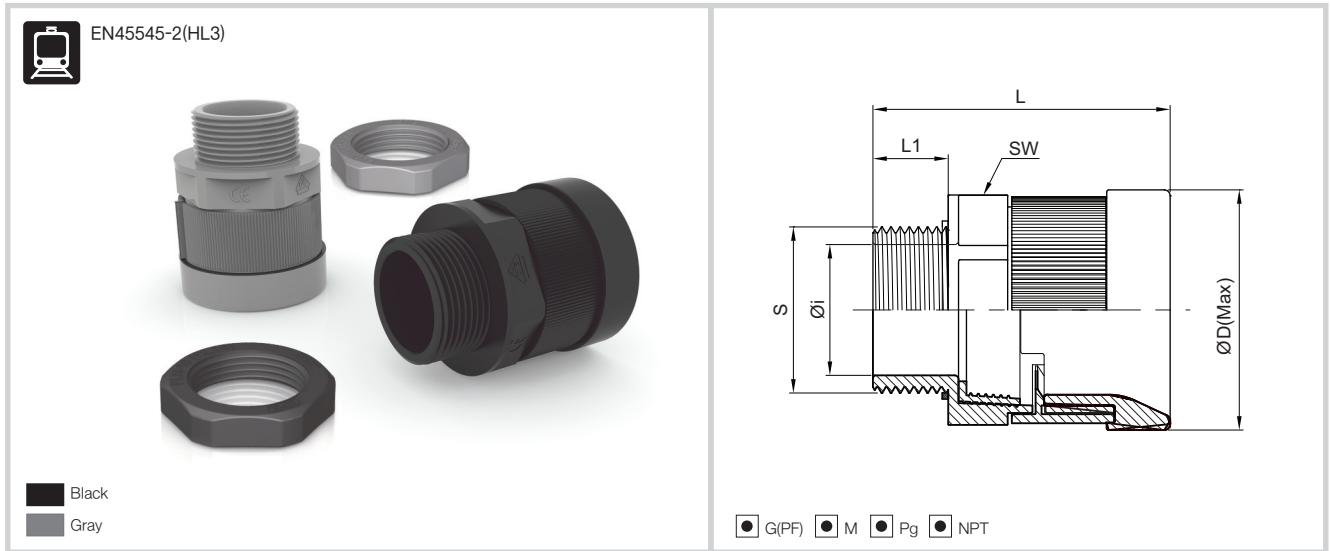




- 1** Easy to assemble and disassemble.
- 2** Intensified pull-out.
- 3** Diverse thread available such as G, M, Pg, NPT, UNEF.

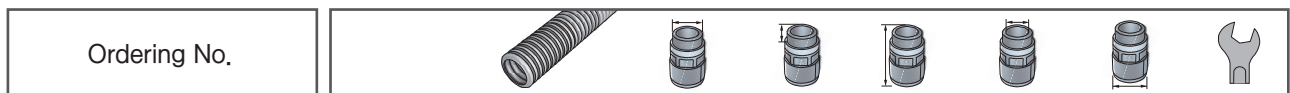


PNC IP68



- Material : High Quality Polyamide 6
- Degrees of Protection : IP 68 (EN 60529)
- The max. Instantaneous Temperature : -40°C to +105°C
- Short Term : up to +150° C
- Self-Extinguishing : UL94-HB / Free of Halogen Phosphorous and cadmium
- Color : Black & Gray
- Application : Machine tool, Shipbuilding, Tramway, Industrial / Automatic Machinery, Printing Machine etc. Joint box with connector
- Certification :

» Product size



PF Thread (JIS B0202)

Black	Gray	Thread	Tube Size	S	L1	L	Øi	ØD	SW
PNC-G07B	PNC-G07G	G1/4"	07	13.1	11.0	34.0	8.5	25.0	14.0
PNC-G10B	PNC-G10G	G1/2"	10	20.9	13.0	44.2	12.0	25.0	19.7
PNC-G12B	PNC-G12G	G1/2"	12	20.9	13.0	43.1	15.0	27.6	22.8
PNC-G16B	PNC-G16G	G1/2"	16	20.9	13.0	45.0	15.2	33.0	28.0
PNC-G22B	PNC-G22G	G3/4"	22	26.4	15.0	54.7	22.0	43.0	37.5
PNC-G28B	PNC-G28G	G1"	28	33.2	15.0	62.4	27.0	48.8	43.0
PNC-G36B	PNC-G36G	G1 1/4"	36	41.9	19.0	76.6	34.0	60.6	52.2
PNC-G42B	PNC-G42G	G1 1/2"	48	47.8	21.0	81.4	40.8	71.8	64.0
PNC-G48B	PNC-G48G	G2"	48	59.6	21.0	81.4	50.0	71.8	64.0

※ Available in Light Gray production.

(Dimensions in mm)

Ordering No.



Metric Thread (EN 60423)

(Dimensions in mm)

Black	Gray	Thread	Tube Size	S	L1	L	Øi	ØD	SW
PNC-M107B	PNC-M107G	M12 X 1.5	07	12.0	11.0	34.0	8.5	25.0	14.0
PNC-M127B	PNC-M127G	M16 X 1.5	07	16.0	11.0	34.0	8.5	25.0	14.0
PNC-M167B	PNC-M167G	M20 X 1.5	07	20.0	11.0	34.0	8.5	25.0	14.0
PNC-M10B	PNC-M10G	M12 X 1.5	10	12.0	13.0	43.5	7.5	25.0	19.7
PNC-M120B	PNC-M120G	M16 X 1.5	10	16.0	13.0	43.5	10.0	25.0	19.7
PNC-M20B	PNC-M20G	M20 X 1.5	10	20.0	13.0	43.5	12.0	25.0	19.7
PNC-M102B	PNC-M102G	M12 X 1.5	12	12.0	13.0	43.1	8.0	27.6	22.8
PNC-M12B	PNC-M12G	M16 X 1.5	12	16.0	13.0	43.1	12.0	27.6	22.8
PNC-M202B	PNC-M202G	M20 X 1.5	12	20.0	13.0	43.1	15.0	27.6	22.8
PNC-M126B	PNC-M126G	M16 X 1.5	16	16.0	13.0	45.0	12.0	33.0	28.0
PNC-M16B	PNC-M16G	M20 X 1.5	16	20.0	13.0	45.0	15.2	33.0	28.0
PNC-M226B	PNC-M226G	M25 X 1.5	16	25.0	13.0	45.0	17.5	33.0	28.0
PNC-M22B	PNC-M22G	M25 X 1.5	22	25.0	15.0	54.7	20.6	43.0	37.5
PNC-M3222B	PNC-M3222G	M32 X 1.5	22	32.0	15.0	54.7	22.0	43.0	37.5
PNC-M28B	PNC-M28G	M32 X 1.5	28	32.0	15.0	62.4	27.0	48.8	43.0
PNC-M4028B	PNC-M4028G	M40 X 1.5	28	40.0	15.0	62.4	30.5	48.8	43.0
PNC-M36B	PNC-M36G	M40 X 1.5	36	40.0	19.0	76.6	34.0	60.6	52.2
PNC-M5036B	PNC-M5036G	M50 X 1.5	36	50.0	19.0	76.6	36.0	60.6	52.2
PNC-M48B	PNC-M48G	M50 X 1.5	48	50.0	21.0	81.4	42.0	71.8	64.0
PNC-M6348B	PNC-M6348G	M63 X 1.5	48	63.0	21.0	81.4	50.0	71.8	64.0

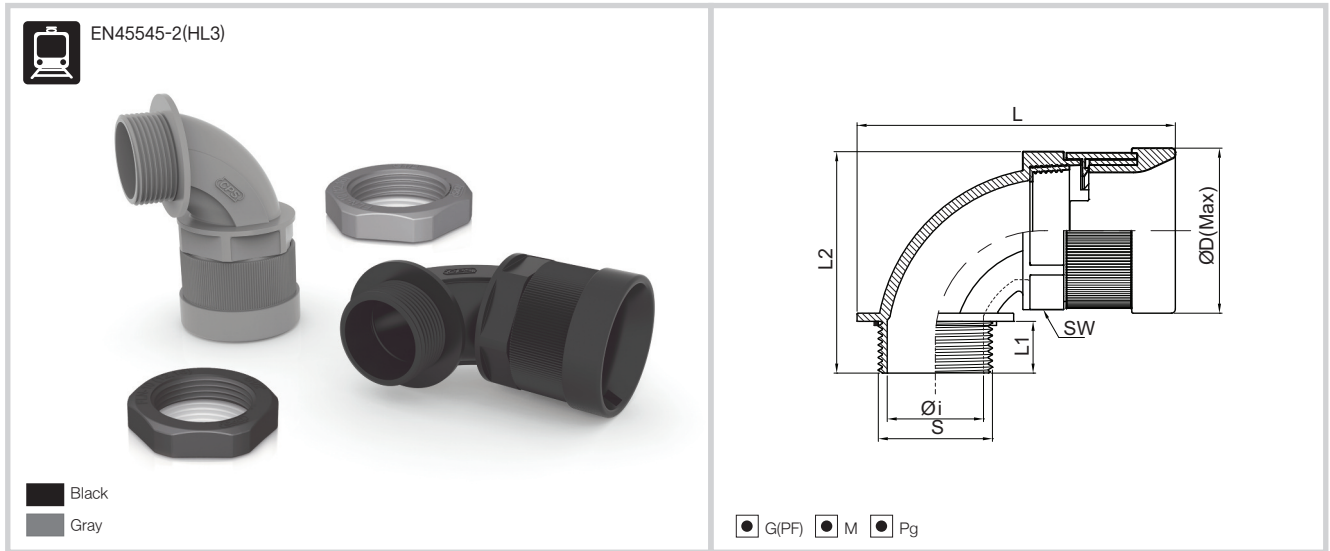
Pg Thread (DIN 40430)

Black	Gray	Thread	Tube Size	S	L1	L	Øi	ØD	SW
PNC-P077B	PNC-P077G	Pg 07	07	12.5	11.0	34.0	8.5	16.8	14.0
PNC-P097B	PNC-P097G	Pg 09	07	15.2	11.0	34.0	8.5	25.0	14.0
PNC-P117B	PNC-P117G	Pg 11	07	18.6	11.0	34.0	8.5	25.0	14.0
PNC-P137B	PNC-P137G	Pg 13.5	07	20.4	11.0	34.0	8.5	25.0	14.0
PNC-P070B	PNC-P070G	Pg 07	10	12.5	13.0	43.5	8.0	25.0	19.7
PNC-P09B	PNC-P09G	Pg 09	10	15.2	13.0	43.5	10.0	25.0	19.7
PNC-P110B	PNC-P110G	Pg 11	10	18.6	13.0	43.5	12.0	25.0	19.7
PNC-P130B	PNC-P130G	Pg 13.5	10	20.4	13.0	43.5	12.0	25.0	19.7
PNC-P160B	PNC-P160G	Pg 16	10	22.5	13.0	43.5	12.0	25.0	19.7
PNC-P0912B	PNC-P0912G	Pg 09	12	15.2	13.0	43.1	12.0	27.6	22.8
PNC-P11B	PNC-P11G	Pg 11	12	18.6	13.0	43.1	12.0	27.6	22.8
PNC-P132B	PNC-P132G	Pg 13.5	12	20.4	13.0	43.1	15.0	27.6	22.8
PNC-P162B	PNC-P162G	Pg 16	12	22.5	13.0	43.1	15.0	27.6	22.8
PNC-P136B	PNC-P136G	Pg 13.5	16	20.4	13.0	45.0	15.2	33.0	28.0
PNC-P16B	PNC-P16G	Pg 16	16	22.5	13.0	45.0	15.2	33.0	28.0
PNC-P216B	PNC-P216G	Pg 21	16	28.3	13.0	45.0	17.5	33.0	28.0
PNC-P163B	PNC-P163G	Pg 16	22	22.5	13.0	54.7	18.0	43.0	37.5
PNC-P21B	PNC-P21G	Pg 21	22	28.3	15.0	54.7	22.0	43.0	37.5
PNC-P29B	PNC-P29G	Pg 29	28	37.0	15.0	62.4	30.5	48.8	43.0
PNC-P36B	PNC-P36G	Pg 36	36	47.0	19.0	76.6	36.0	60.6	52.2
PNC-P48B	PNC-P48G	Pg 48	48	59.3	21.0	81.4	50.0	71.8	64.0

NPT Thread (ANSI/ASME B1.20.1)

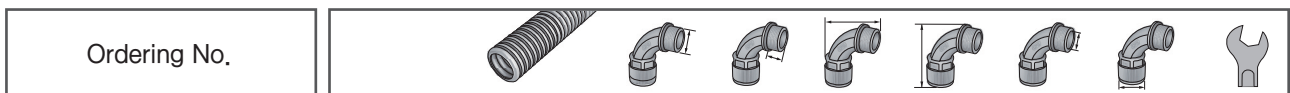
Black	Gray	Thread	Tube Size	S	L1	L	Øi	ØD	SW
PNC-N10B	PNC-N10G	NPT 1/2"	10	21.2	13.0	43.5	12.0	25.0	19.7
PNC-N12B	PNC-N12G	NPT 1/2"	12	21.2	13.0	43.1	15.0	27.6	22.8
PNC-N16B	PNC-N16G	NPT 1/2"	16	21.2	13.0	45.0	15.2	33.0	28.0
PNC-N22B	PNC-N22G	NPT 3/4"	22	26.5	15.0	54.7	22.0	43.0	37.5
PNC-N28B	PNC-N28G	NPT 1"	28	33.2	15.0	62.4	27.0	48.8	43.0

PWC IP68



- Material : High Quality Polyamide 6
- Degrees of Protection : IP 68 (EN 60529)
- The max, Instantaneous Temperature : -40°C to +105°C
- Short Term : up to +150° C
- Self-Extinguishing : UL94-HB / Free of Halogen Phosphorous and cadmium
- Color : Black & Gray
- Application : Machine tool, Shipbuilding, Tramway, Industrial / Automatic Machinery, Printing Machine etc. Joint box with connector
- Certification :

» Product size



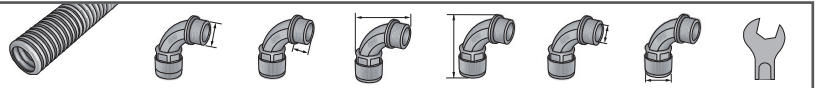
PF Thread (JIS B0202)

Black	Gray	Thread	Tube Size	S	L1	L2	L	Øi	ØD	SW
PWC-G10B	PWC-G10G	G1/2"	10	20.9	13.0	45.1	60.7	12.0	25.0	19.7
PWC-G12B	PWC-G12G	G1/2"	12	20.9	13.0	45.8	60.8	15.0	27.6	22.8
PWC-G16B	PWC-G16G	G1/2"	16	20.9	13.0	51.4	68.2	15.2	33.0	28.0
PWC-G22B	PWC-G22G	G3/4"	22	26.4	15.0	62.6	85.2	22.0	43.0	37.5
PWC-G28B	PWC-G28G	G1"	28	33.2	15.0	71.6	100.9	27.0	48.8	43.0
PWC-G368B	PWC-G368G	G1 1/4"	28	41.9	15.0	71.6	100.9	30.5	48.8	43.0
PWC-G36B	PWC-G36G	G1 1/4"	36	41.9	19.0	81.3	116.9	33.0	60.6	52.2
PWC-G42B	PWC-G42G	G1 1/2"	48	47.8	19.0	97.0	135.4	40.8	71.8	64.0
PWC-G48B	PWC-G48G	G2"	48	59.6	19.0	97.0	135.4	50.0	71.8	64.0

※ Available in Light Gray production,

(Dimensions in mm)

Ordering No.



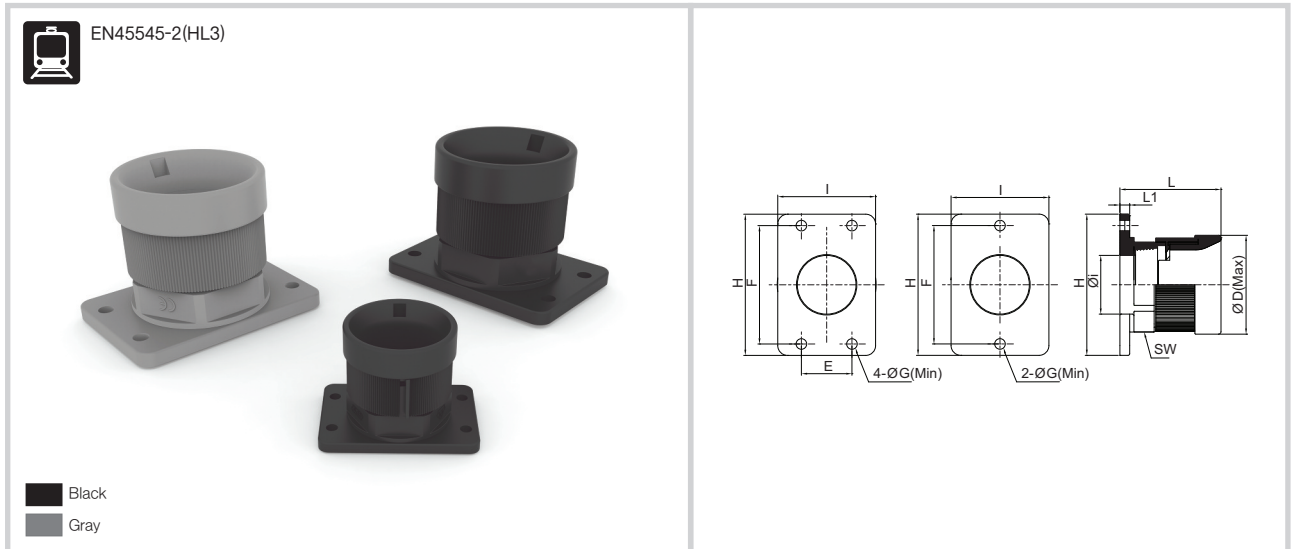
Metric Thread (EN 60423)

(Dimensions in mm)

Black	Gray	Thread	Tube Size	S	L1	L2	L	Øi	ØD	SW
PWC-M107B	PWC-M107G	M12 X 1,5	07	12,0	11,0	35,6	47,0	7,5	17,9	14,0
PWC-M10B	PWC-M10G	M12 X 1,5	10	12,0	13,0	45,1	60,7	8,0	25,0	19,7
PWC-M12B	PWC-M12G	M16 X 1,5	12	16,0	13,0	45,8	60,8	12,0	27,6	22,8
PWC-M202B	PWC-M202G	M20 X 1,5	12	20,0	13,0	45,8	60,8	15,0	27,6	22,8
PWC-M16B	PWC-M16G	M20 X 1,5	16	20,0	13,0	51,4	68,2	15,2	33,0	28,0
PWC-M22B	PWC-M22G	M25 X 1,5	22	25,0	15,0	62,6	85,2	20,6	43,0	37,5
PWC-M28B	PWC-M28G	M32 X 1,5	28	32,0	15,0	71,6	100,9	27,0	48,8	43,0
PWC-M36B	PWC-M36G	M40 X 1,5	36	40,0	19,0	81,3	116,9	33,0	60,6	52,2
PWC-M48B	PWC-M48G	M50 X 1,5	48	50,0	19,0	97,0	135,4	42,0	71,8	64,0

Pg Thread (DIN 40430)

Black	Gray	Thread	Tube Size	S	L1	L2	L	Øi	ØD	SW
PWC-P077B	PWC-P077G	Pg07	07	12,5	11,0	35,6	47,0	8,5	17,9	14,0
PWC-P097B	PWC-P097G	Pg09	07	15,2	11,0	35,6	47,0	8,5	17,9	14,0
PWC-P09B	PWC-P09G	Pg09	10	15,2	13,0	45,1	60,7	11,0	25,0	19,7
PWC-P110B	PWC-P110G	Pg11	10	18,6	13,0	45,1	60,7	12,0	25,0	19,7
PWC-P130B	PWC-P130G	Pg13,5	10	20,4	13,0	45,1	60,7	12,0	25,0	19,7
PWC-P11B	PWC-P11G	Pg11	12	18,6	13,0	45,8	60,8	13,0	27,6	22,8
PWC-P132B	PWC-P132G	Pg13,5	12	20,4	13,0	45,8	60,8	15,0	27,6	22,8
PWC-P162B	PWC-P162G	Pg16	12	22,5	13,0	45,8	60,8	15,0	27,6	22,8
PWC-P136B	PWC-P136G	Pg13,5	16	20,4	13,0	51,4	68,2	15,2	33,0	28,0
PWC-P16B	PWC-P16G	Pg16	16	22,5	13,0	51,4	68,2	17,5	33,0	28,0
PWC-P163B	PWC-P163G	Pg16	22	22,5	15,0	62,6	85,2	18,0	43,0	37,5
PWC-P21B	PWC-P21G	Pg21	22	28,3	15,0	62,6	85,2	22,0	43,0	37,5
PWC-P29B	PWC-P29G	Pg29	28	37,0	15,0	71,6	100,9	30,5	48,8	43,0
PWC-P36B	PWC-P36G	Pg36	36	47,0	19,0	81,3	116,9	33,0	60,6	52,2
PWC-P48B	PWC-P48G	Pg48	48	59,3	19,0	97,0	135,4	50,0	71,8	64,0



- Material : High Quality Polyamide 6
- Degrees of Protection : IP 67 (EN 60529)
- The max. Instantaneous Temperature : -40°C to +105°C
- Short Term : up to +150° C
- Self-Extinguishing : UL94-HB / Free of Halogen Phosphorous and cadmium
- Color : Black & Gray
- Application : Machine tool, Shipbuilding, Tramway, Industrial / Automatic Machinery, Printing Machine etc. Pipe with connector.

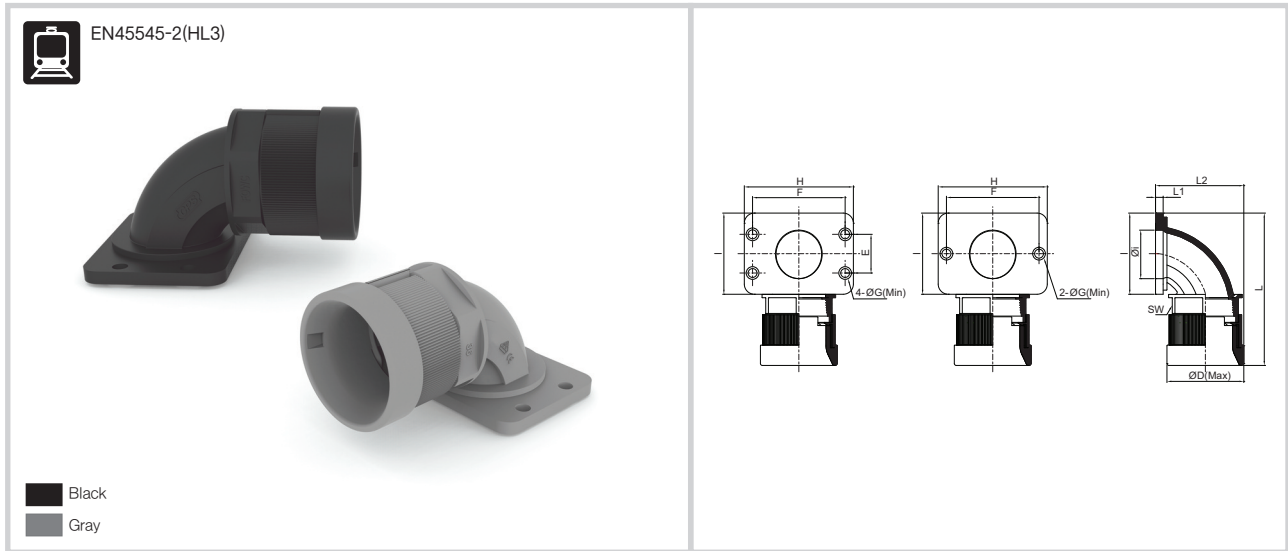
» Product size



Black	Gray	Tube Size	E	F	G	H	I	L1	L	Øi	ØD	SW
PNOC-12B	PNOC-12G	12	-	36.5	5.5	46.0	32.0	5.0	35.1	15.0	27.6	22.8
PNOC-16B	PNOC-16G	16	-	36.5	5.5	46.0	32.0	5.0	37.0	17.5	33.0	28.0
PNOC-22B	PNOC-22G	22	30.5	53.5	5.5	65.0	45.0	5.0	44.7	22.0	43.0	37.5
PNOC-28B	PNOC-28G	28	31.0	54.8	6.5	64.8	45.0	6.0	53.4	27.0	48.8	43.0
PNOC-36B	PNOC-36G	36	31.0	72.6	6.5	86.6	60.0	6.0	62.0	36.0	60.6	52.2
PNOC-48B	PNOC-48G	48	30.5	72.6	6.5	86.6	73.0	6.0	66.4	50.0	71.8	64.0

(Dimensions in mm)

PWOC IP67



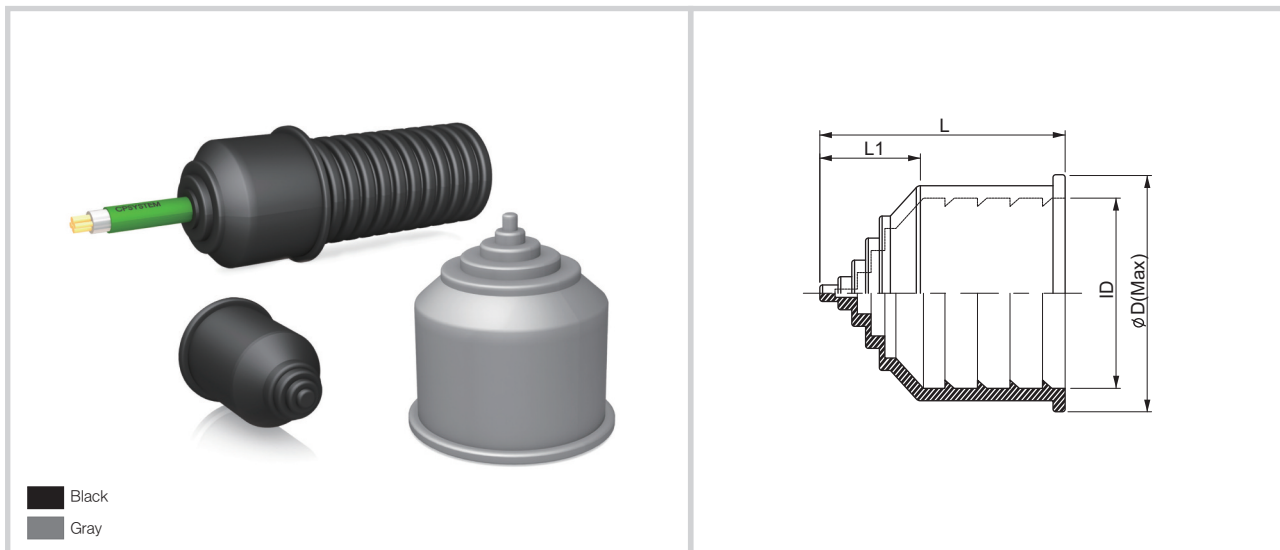
- Material : High Quality Polyamide 6
- Degrees of Protection : IP 67 (EN 60529)
- The max. Instantaneous Temperature : -40°C to +105°C
- Short Term : up to +150° C
- Self-Extinguishing : UL94-HB / Free of Halogen Phosphorous and cadmium
- Color : Black & Gray
- Application : Machine tool, Shipbuilding, Tramway, Industrial / Automatic Machinery, Printing Machine etc. Control box with connector.

» Product size




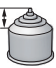



Black	Gray	Tube Size	E	F	G	H	I	L1	L2	L	Øi	ØD	SW
PWOC-12B	PWOC-12G	12	-	36.5	5.5	45.0	32.0	5.0	38.9	64.1	15.0	27.6	22.8
PWOC-16B	PWOC-16G	16	-	36.5	5.5	44.0	32.0	5.0	44.6	69.0	17.5	33.0	28.0
PWOC-22B	PWOC-22G	22	30.5	53.5	5.5	65.0	45.0	5.0	53.6	87.2	22.0	43.0	37.5
PWOC-28B	PWOC-28G	28	31.0	55.0	6.0	65.0	45.0	6.0	63.5	100.9	27.0	48.8	43.0
PWOC-36B	PWOC-36G	36	30.5	73.0	7.0	86.0	64.0	6.0	69.6	120.1	36.0	60.6	52.2
PWOC-48B	PWOC-48G	48	30.5	73.0	7.0	86.0	78.0	6.0	84.9	139.4	50.0	71.8	64.0

(Dimensions in mm)



- Material : N.B,R (Nitrile-Gutadiene Rubber)
- Properties : Tube terminal, assembled by just putting on
- Degrees of Protection : IP 66 (EN 60529)
- Color : Black & Gray
- For tube type : Corrugated tubes, type of CPSFLEX

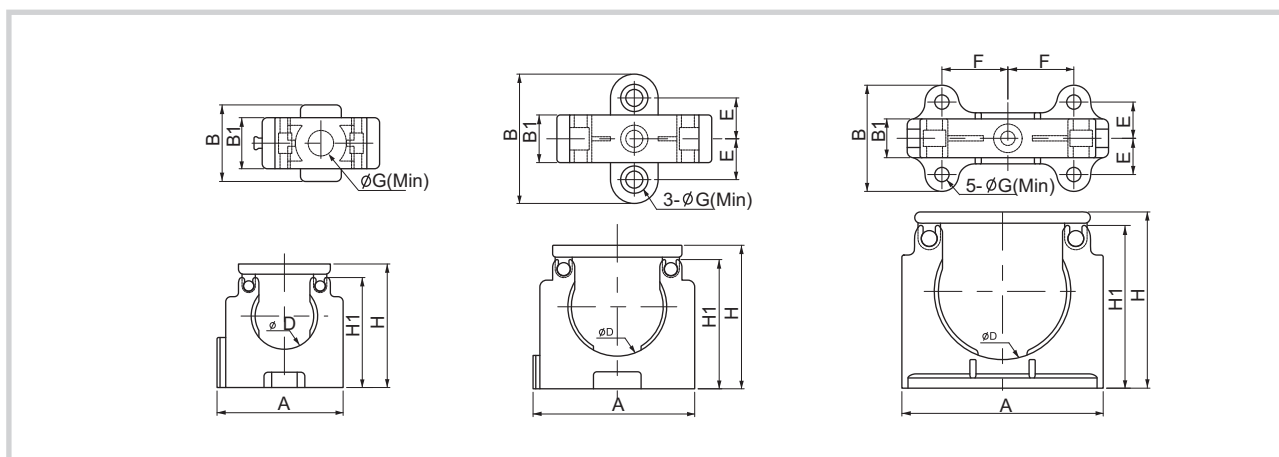
» Product size

Ordering No.								
Black	Gray	Tube Size	Min	Max	L1	L	ID	ØD
FEC-07B	FEC-07G	07	2.0	7.0	8.0	24.0	10.0	16.0
FEC-10B	FEC-10G	10	3.0	10.0	11.0	33.0	12.5	17.0
FEC-12B	FEC-12G	12	4.2	12.0	11.0	33.0	16.0	23.5
FEC-16B	FEC-16G	16	6.0	16.0	12.5	34.5	21.2	29.0
FEC-22B	FEC-22G	22	6.0	22.0	16.0	43.0	28.5	37.0
FEC-28B	FEC-28G	28	6.0	28.0	16.0	43.0	34.5	43.0
FEC-36B	FEC-36G	36	6.0	36.0	24.0	58.5	42.5	52.0
FEC-48B	FEC-48G	48	6.0	48.0	24.0	58.5	54.5	64.0
FEC-56B	FEC-56G	56	9.0	56.0	29.0	71.0	67.2	76.7
FEC-70B	FEC-70G	70	10.0	70.0	36.0	86.0	82.5	92.0
FEC-95B	FEC-95G	95	13.0	95.0	45.0	110.0	106.0	115.5

(Dimensions in mm)



- Material : High Quality Polyamide 6
- The max. Instantaneous Temperature : -40°C to +105°C
- Short Term : up to +150° C
- Self-Extinguishing : UL94-HB / Free of Halogen Phosphorous and cadmium
- Color : Black & Gray
- Application : Fixing tubes
By making more screw holes, the clip is more stable and the hinge cover is easy to use. This new clip was developed to facilitate straight arrangement and be installable at any size.



» Product size

Black	Gray	Tube Size	ØD	A	H	H1	B	B1	E	F	ØG	Bolt
NFH-07B	NFH-07G	07	10,0	16,6	20,5	17,9	14,5	10,0	-	-	5,0	1-M4
NFH-10B	NFH-10G	10	13,0	23,0	24,2	21,6	15,0	10,0	-	-	5,0	1-M4
NFH-12B	NFH-12G	12	16,0	27,5	25,7	22,5	33,0	14,0	11,30	-	5,4	3-M5
NFH-16B	NFH-16G	16	21,5	34,2	33,0	29,5	36,0	14,0	12,00	-	5,4	3-M5
NFH-22B	NFH-22G	22	29,0	45,5	42,2	38,0	38,0	14,0	12,00	-	6,4	3-M6
NFH-28B	NFH-28G	28	35,0	55,0	49,8	45,3	37,0	14,0	12,50	17,00	6,4	5-M6
NFH-36B	NFH-36G	36	42,0	66,0	59,5	54,3	41,5	14,0	13,50	18,75	6,4	5-M6
NFH-48B	NFH-48G	48	54,0	84,9	73,2	66,9	41,5	14,0	13,50	28,00	6,4	5-M6
NFH-56B	NFH-56G	56	66,8	98,6	86,3	79,7	52,0	19,0	17,75	32,30	6,4	5-M6
NFH-70B	NFH-70G	70	82,0	121,0	105,8	97,6	63,0	23,0	21,50	39,50	8,4	5-M8
NFH-95B	NFH-95G	95	105,6	155,4	136,3	125,8	82,0	30,0	28,00	51,70	8,4	5-M8