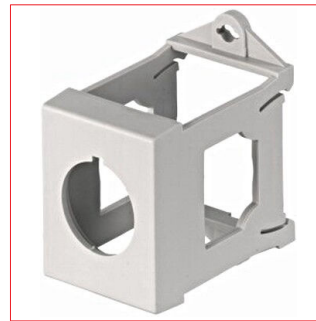


Data Sheet for Article: MM216400--

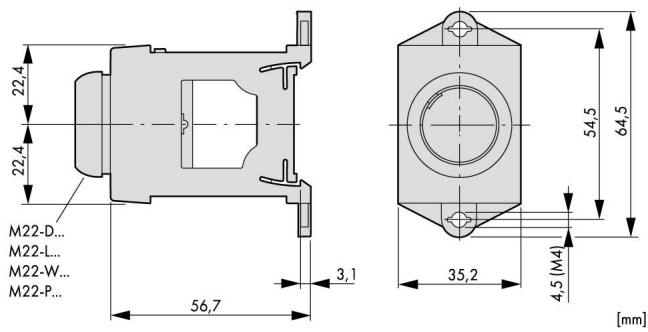
# IVS DIN rail adapter



## Technical Data

Illumination	non-illuminated
Make-up	accessories
shock resistance	30G
Ambient temperature Open (°C)	-25°C...+70°C
Climatic proofing	Damp heat, constant, to IEC 60068-2-78 Damp heat, cyclic, to IEC 60068-2-30
Standards	IEC/EN 60947, VDE 0660
Mounting position	any
Type No.	M22-IVS

## Dimensioned drawing: IVS DIN rail adapter



## Article Table

DESCRIPTION	Order No.
IVS DIN rail adapter	MM216400