

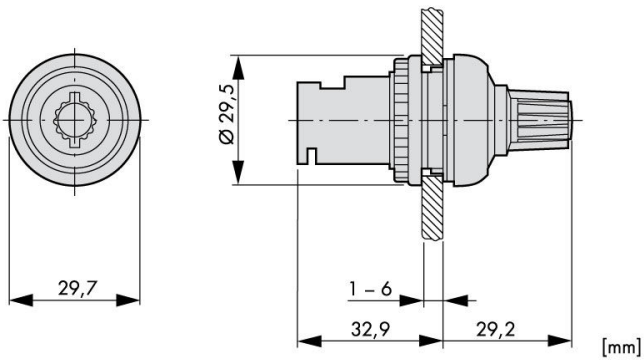
Potentiometer 10kOhm



Technical Data

| | |
|--|--|
| Illumination | non-illuminated |
| Colour | Black/light gray |
| Make-up | others |
| IP Rating | IP66 |
| Diameter (mm) | 29,50 |
| Rated impulse withstand voltage [Uimp] (V) | 4000 |
| Rated insulation voltage [Ui] (V) | 250 |
| Overvoltage category/pollution degree | III / 3 |
| shock resistance | 30G |
| Ambient temperature Open (°C) | -25°C...+70°C |
| Climatic proofing | Damp heat, constant, to IEC 60068-2-78 Damp heat, cyclic, to IEC 60068-2-30 |
| Standards | IEC/EN 60947, VDE 0660 |
| Mounting position | any |
| Connection cross section, single wire (mm ²) | 0,5 - 1,5 |
| Connection cross-section, multi-wire (mm ²) | 0,5 - 1,5 |
| Type No. | M22-R10K |

Dimensioned drawing: Potentiometer 10kOhm



Article Table

| DESCRIPTION | Order No. |
|----------------------|-----------|
| Potentiometer 10kOhm | MM229491 |