



LINKWELL[®]
ELECTRIC



COOLING FAN
SERIES **AC/EC/DC**

LKA SERIES AXIAL FLOW FAN

Low noise static pressure, efficient energy-saving, long service life, customizable all metal, high temperature resistance, high speed (EC), high IP rating, suitable for various industrial applications.



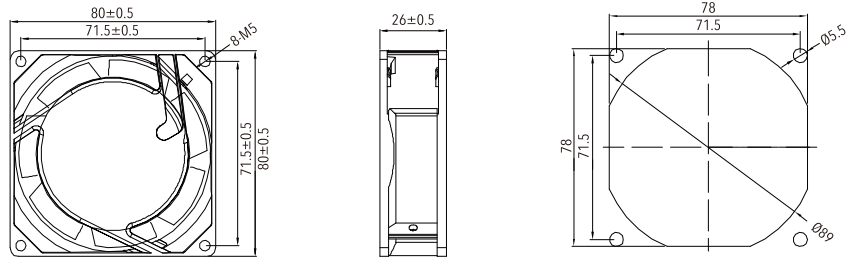
LKA08025 80x80x25mm



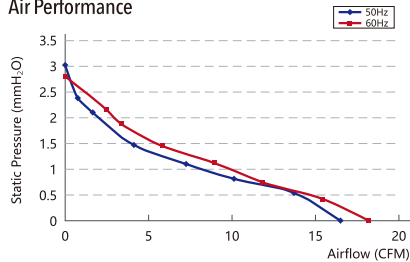
Motor structure: Shaded pole motor
Dielectric strength: AC 1500V, at 0.5mA, 50/60Hz
Insulation level: Class A

Material: Fan blade: PBT, 7 impeller
Bearing: Ball
Motor life: 50000 hours

DIMENSION (mm)



Air Performance



Model	Voltage (V)	Freq (Hz)	Current (A)	Power (W)	Speed (RPM)	Air Volume (m ³ /h)	Max. Air Flow (CFM)	Noise (dB)
LKA08025-115	100/125	50/60	0.12/0.11	12/11	2500/2800	28/30.9	16.5/18.2	26/28
LKA08025-230	200/240	50/60	0.07/0.06	12/11	2500/2800	28/30.9	16.5/18.2	26/28

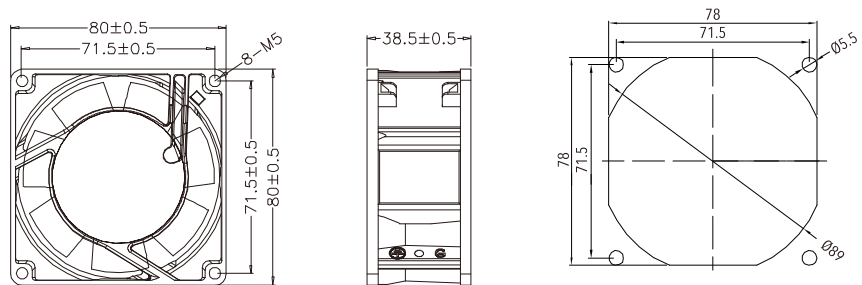
LKA08038 80x80x38mm



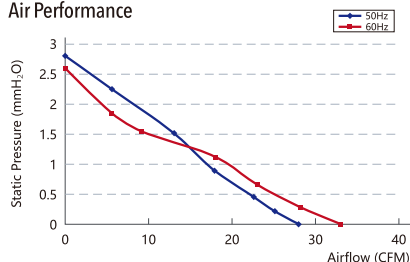
Motor structure: Shaded pole motor
Dielectric strength: AC 1500V, at 0.5mA, 50/60Hz
Insulation level: Class A

Material: Fan blade: PBT, 7 impeller
Bearing: Ball
Motor life: 50000 hours

DIMENSION (mm)



Air Performance



Model	Voltage (V)	Freq (Hz)	Current (A)	Power (W)	Speed (RPM)	Air Volume (m ³ /h)	Max. Air Flow (CFM)	Noise (dB)
LKA08038.115	100/125	50/60	0.16/0.14	13/12	2300/2500	47.6/56.1	28/33	28/33
LKA08038.230	200/240	50/60	0.09/0.08	13/12	2300/2500	47.6/56.1	28/33	28/33

92x92x25mm **LKA09225**

Motor structure: Shaded pole motor

Dielectric strength: AC 1500V, at 0.5mA, 50/60Hz

Insulation level: Class A

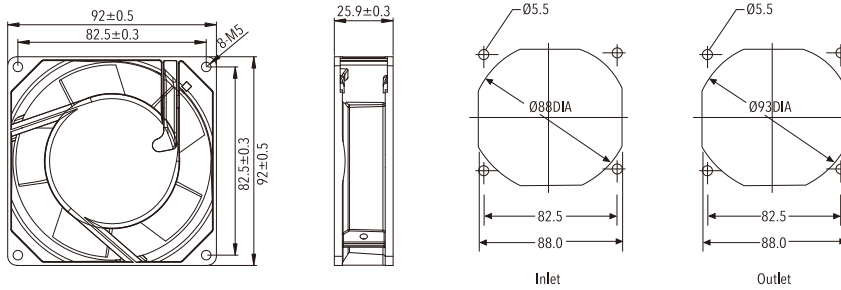
Material: Fan blade: PBT, 5 impeller

Bearing: Ball

Motor life: 50000 hours

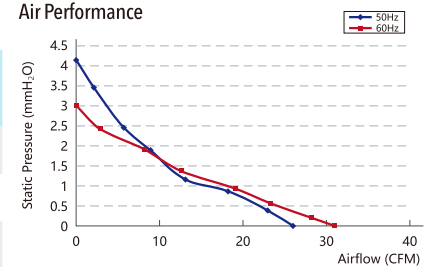


DIMENSION (mm)



Model	Voltage (V)	Freq (Hz)	Current (A)	Power (W)	Speed (RPM)	Air Volume (m³/h)	Max. Air Flow (CFM)	Noise (dB)
LKA09225.115	100/125	50/60	0.12/0.11	12/11	2350/2700	44.2/52.7	26/31	34/36
LKA09225.230	200/240	50/60	0.07/0.06	12/11	2350/2700	44.2/52.7	26/31	34/36

Air Performance



110x110x25mm **LKA11025**

Motor structure: Shaded pole motor

Dielectric strength: AC 1500V, at 0.5mA, 50/60Hz

Insulation level: Class A

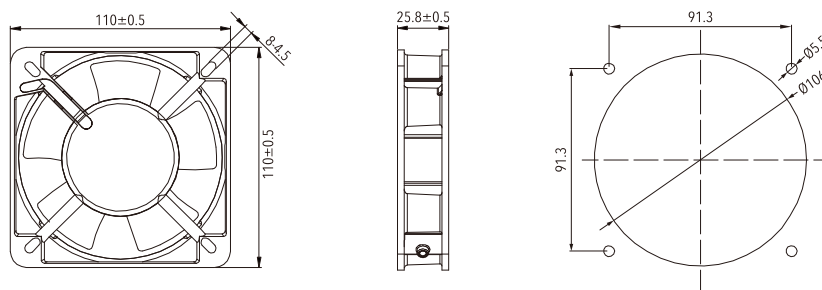
Material: Fan blade: PBT, 5 impeller

Bearing: Ball

Motor life: 50000 hours

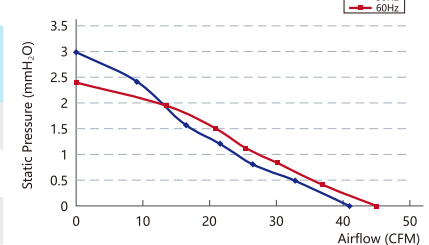


DIMENSION (mm)



Model	Voltage (V)	Freq (Hz)	Current (A)	Power (W)	Speed (RPM)	Air Volume (m³/h)	Max. Air Flow (CFM)	Noise (dB)
LKA11025.115	100/125	50/60	0.12/0.11	12/11	2000/2200	69.7/76.5	41/45	36/38
LKA11025.230	200/240	50/60	0.07/0.06	12/11	2000/2200	69.7/76.5	41/45	36/38

Air Performance



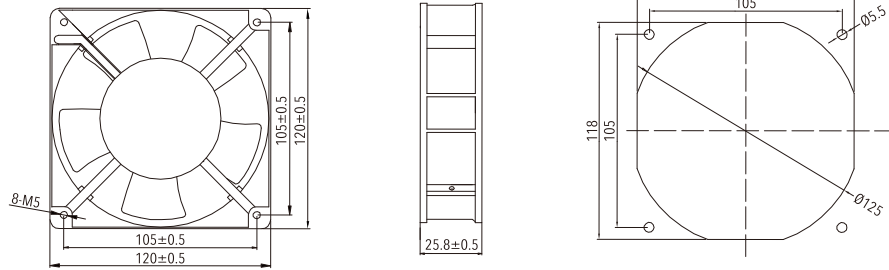
LKA12025 120x120x25mm



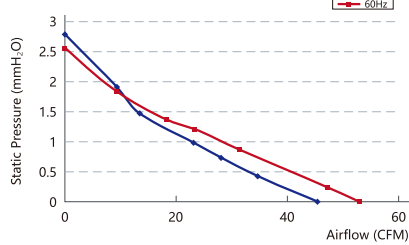
Motor structure: Shaded pole motor
Dielectric strength: AC 1500V, at 0.5mA, 50/60Hz
Insulation level: Class A

Material: Fan blade: PBT, 5 impeller
Bearing: Ball
Motor life: 50000 hours

DIMENSION (mm)



Air Performance



Model	Voltage (V)	Freq (Hz)	Current (A)	Power (W)	Speed (RPM)	Air Volume (m ³ /h)	Max. Air Flow (CFM)	Noise (dB)
LKA12025.115	100/125	50/60	0.12/0.11	12/11	1800/2000	76.5/89.7	45/52.8	39/41
LKA12025.230	200/240	50/60	0.07/0.06	12/11	1800/2000	76.5/89.7	45/52.8	39/41

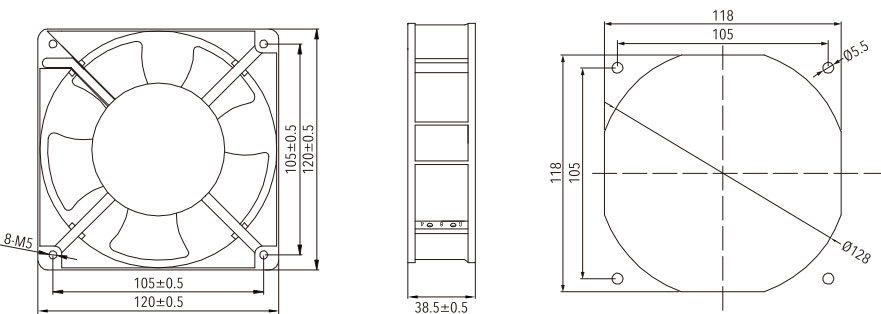
LKA12038-5 120x120x38mm



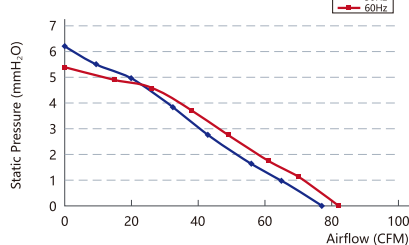
Motor structure: Shaded pole motor
Dielectric strength: AC 1500V, at 0.5mA, 50/60Hz
Insulation level: Class A

Material: Fan blade: PBT, 5 impeller
Bearing: Ball
Motor life: 50000 hours

DIMENSION (mm)



Air Performance



Model	Voltage (V)	Freq (Hz)	Current (A)	Power (W)	Speed (RPM)	Air Volume (m ³ /h)	Max. Air Flow (CFM)	Noise (dB)
LKA12038.115-5	100/125	50/60	0.24/0.22	19/18	2600/2900	130.9/139.4	77/82	42/44
LKA12038.230-5	200/240	50/60	0.12/0.11	19/18	2600/2900	130.9/139.4	77/82	42/44

120x120x38mm **LKA12038-7**

Motor structure: Shaded pole motor

Dielectric strength: AC 1500V, at 0.5mA, 50/60Hz

Insulation level: Class A

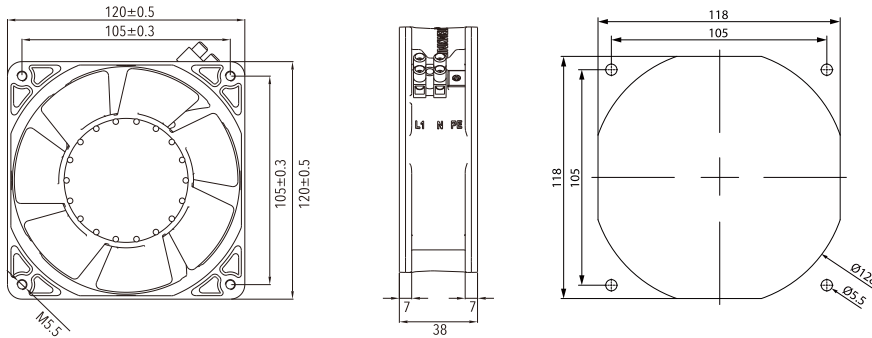
Material: Fan blade: PBT, 7 impeller

Bearing: Ball

Motor life: 50000 hours

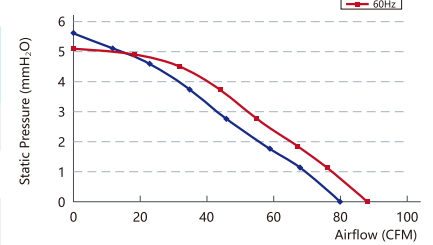


DIMENSION (mm)



Model	Voltage (V)	Freq (Hz)	Current (A)	Power (W)	Speed (RPM)	Air Volume (m³/h)	Max. Air Flow (CFM)	Noise (dB)
LKA12038.115-7	100/125	50/60	0.24/0.22	19/18	2500/2700	136/149.6	80/88	44/46
LKA12038.230-7	200/240	50/60	0.12/0.11	19/18	2500/2700	136/149.6	80/88	44/46

Air Performance



135x135x38mm **LKA13538**

Motor structure: Shaded pole motor

Dielectric strength: AC 1500V, at 0.5mA, 50/60Hz

Insulation level: Class A

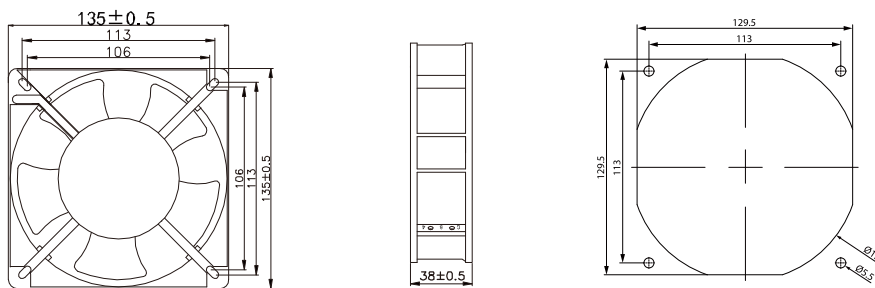
Material: Fan blade: PBT, 5 impeller

Bearing: Ball

Motor life: 50000 hours

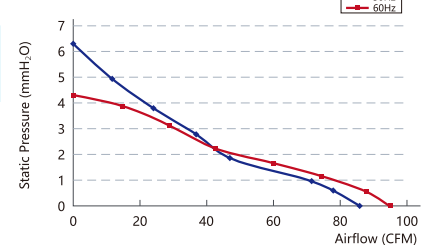


DIMENSION (mm)



Model	Voltage (V)	Freq (Hz)	Current (A)	Power (W)	Speed (RPM)	Air Volume (m³/h)	Max. Air Flow (CFM)	Noise (dB)
LKA13538.115	100/125	50/60	0.24/0.22	20/18	2600/2800	146.2/161.5	86/95	45/47
LKA13538.230	200/240	50/60	0.12/0.11	20/18	2600/2800	146.2/161.5	86/95	45/47

Air Performance



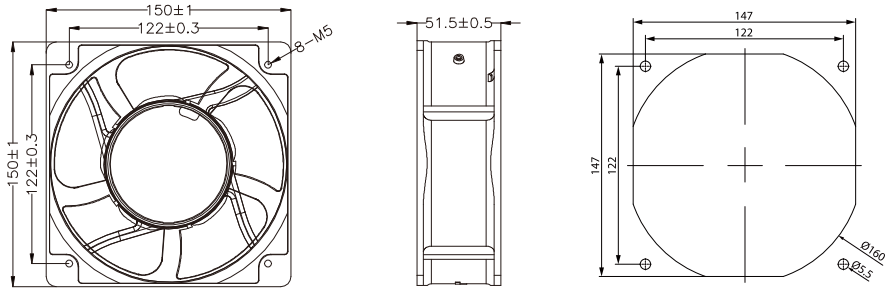
LKA15051-5 150x150x51mm



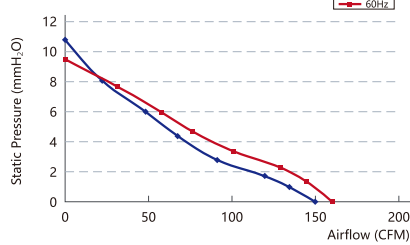
Motor structure: Shaded pole motor
Dielectric strength: AC 1500V, at 0.5mA, 50/60Hz
Insulation level: Class A

Material: Fan blade: PBT, 5 impeller
Bearing: Ball
Motor life: 50000 hours

DIMENSION (mm)



Air Performance



Model	Voltage (V)	Freq (Hz)	Current (A)	Power (W)	Speed (RPM)	Air Volume (m ³ /h)	Max. Air Flow (CFM)	Noise (dB)
LKA15051.115-5	100/125	50/60	0.45/0.42	30/28	2700/3000	255/272	150/160	53/59
LKA15051.230-5	200/240	50/60	0.24/0.22	30/28	2700/3000	255/272	150/160	53/59

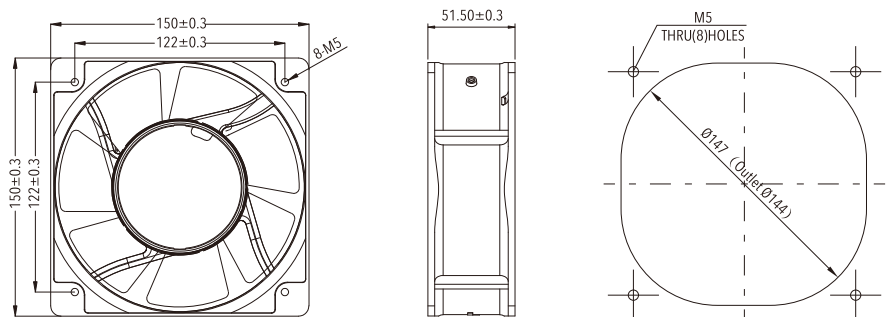
LKA15051-7 150x150x51mm



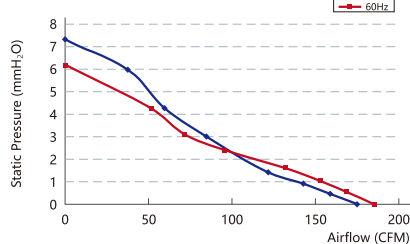
Motor structure: Shaded pole motor
Dielectric strength: AC 1500V, at 0.5mA, 50/60Hz
Insulation level: Class A

Material: Fan blade: PBT, 7 impeller
Bearing: Ball
Motor life: 50000 hours

DIMENSION (mm)



Air Performance



Model	Voltage (V)	Freq (Hz)	Current (A)	Power (W)	Speed (RPM)	Air Volume (m ³ /h)	Max. Air Flow (CFM)	Noise (dB)
LKA15051.115-7	100/125	50/60	0.45/0.42	32/30	2500/2600	297.5/314.5	175/185	54/58
LKA15051.230-7	200/240	50/60	0.24/0.22	32/30	2500/2600	297.5/314.5	175/185	54/58

172x150x51mm **LKA17251-5**

Motor structure: Shaded pole motor

Dielectric strength: AC 1500V, at 0.5mA, 50/60Hz

Insulation level: Class A

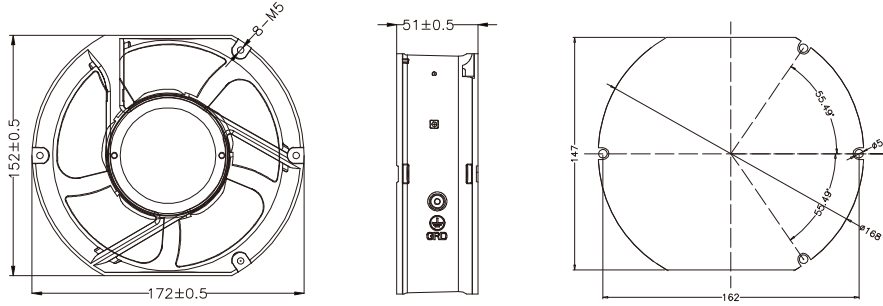
Material: Fan blade: PBT, 5 impeller

Bearing: Ball

Motor life: 50000 hours

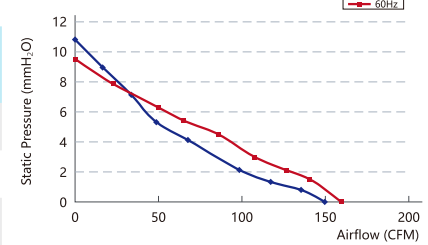


DIMENSION (mm)



Model	Voltage (V)	Freq (Hz)	Current (A)	Power (W)	Speed (RPM)	Air Volume (m ³ /h)	Max. Air Flow (CFM)	Noise (dB)
LKA17251.115-5	100/125	50/60	0.45/0.42	30/28	2700/3000	255/272	150/160	53/59
LKA17251.230-5	200/240	50/60	0.24/0.22	30/28	2700/3000	255/272	150/160	53/59

Air Performance



172x150x51mm **LKA17251-7**

Motor structure: Shaded pole motor

Dielectric strength: AC 1500V, at 0.5mA, 50/60Hz

Insulation level: Class A

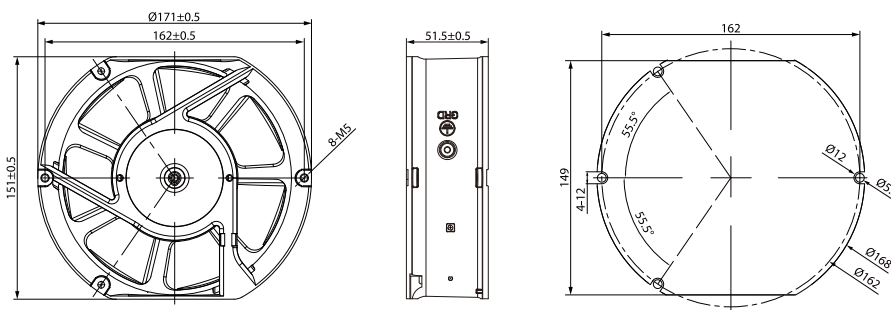
Material: Fan blade: PBT, 7 impeller

Bearing: Ball

Motor life: 50000 hours

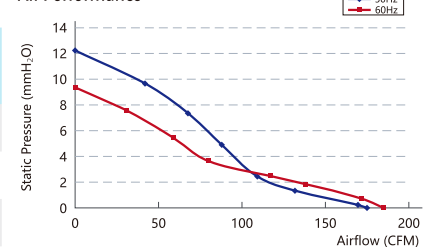


DIMENSION (mm)



Model	Voltage (V)	Freq (Hz)	Current (A)	Power (W)	Speed (RPM)	Air Volume (m ³ /h)	Max. Air Flow (CFM)	Noise (dB)
LKA17251.115-7	100/125	50/60	0.45/0.42	32/30	2500/2600	297.5/314.5	175/185	54/58
LKA17251.230-7	200/240	50/60	0.24/0.22	32/30	2500/2600	297.5/314.5	175/185	54/58

Air Performance



LKA17255/18060

AXIAL FAN



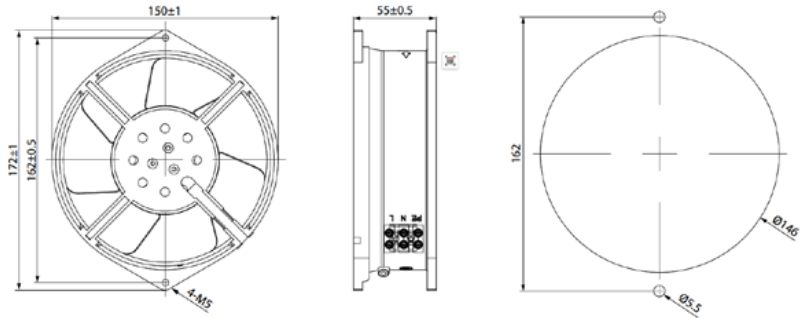
LKA17255 172x162x55mm



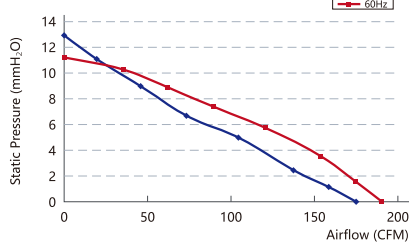
Motor structure: Shaded pole motor
Dielectric strength: AC 1500V, at 0.5mA, 50/60Hz
Insulation level: Class A

Material: Fan blade: Cold rolled plate, 7 impeller
Bearing: Ball
Motor life: 50000 hours

DIMENSION (mm)



Air Performance



Model	Voltage (V)	Freq (Hz)	Current (A)	Power (W)	Speed (RPM)	Air Volume (m ³ /h)	Max. Air Flow (CFM)	Noise (dB)
LKA17255.115	100/125	50/60	0.55/0.58	37/35	2800/3100	297.5/323	175/190	48/52
LKA17255.230	200/240	50/60	0.22/0.20	37/35	2800/3100	297.5/323	175/190	48/52

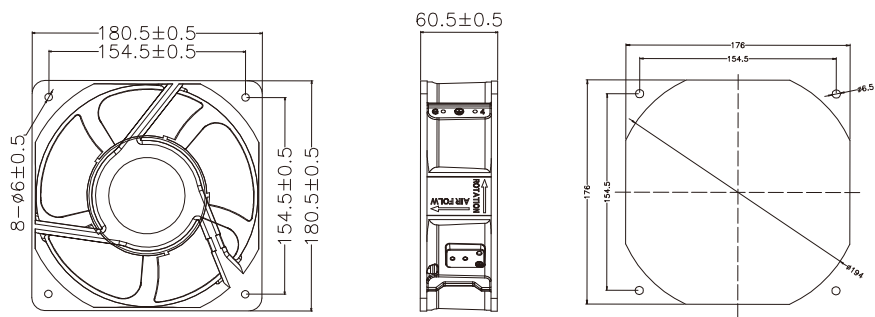
LKA18060 180x180x60mm



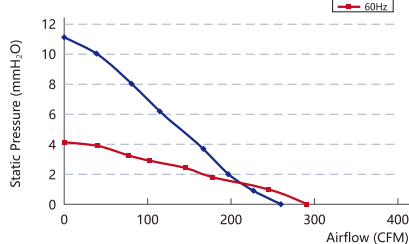
Motor structure: Shaded pole motor
Dielectric strength: AC 1500V, at 0.5mA, 50/60Hz
Insulation level: Class A

Material: Fan blade: PBT, 5 impeller
Bearing: Ball
Motor life: 50000 hours

DIMENSION (mm)



Air Performance



Model	Voltage (V)	Freq (Hz)	Current (A)	Power (W)	Speed (RPM)	Air Volume (m ³ /h)	Max. Air Flow (CFM)	Noise (dB)
LKA18060.115	100/125	50/60	0.54/0.52	42/40	2700/3000	442/439	260/290	61/64
LKA18060.230	200/240	50/60	0.35/0.32	42/40	2700/3000	442/439	260/290	61/64

202x202x60mm **LKA20060**

Motor structure: Shaded pole motor

Dielectric strength: AC 1500V, at 0.5mA, 50/60Hz

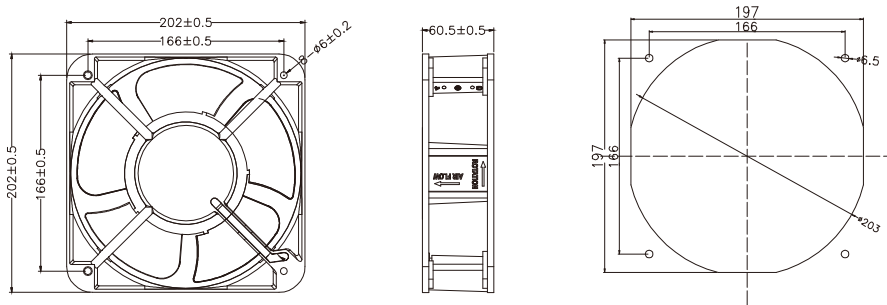
Insulation level: Class A

Material: Fan blade: PBT, 5 impeller

Bearing: Ball

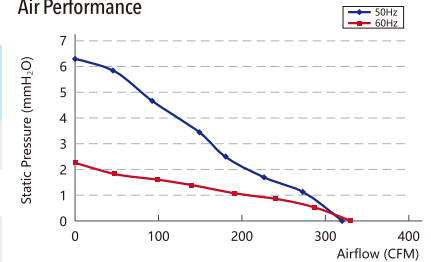
Motor life: 50000 hours

DIMENSION (mm)



Model	Voltage (V)	Freq (Hz)	Current (A)	Power (W)	Speed (RPM)	Air Volume (m ³ /h)	Max. Air Flow (CFM)	Noise (dB)
LKA20060.115	100/125	50/60	0.60/0.58	45/42	2600/2700	544/561	320/330	63/65
LKA20060.230	200/240	50/60	0.35/0.32	45/42	2600/2700	544/561	320/330	63/65

Air Performance



205x205x72mm **LKA20572**

Motor structure: Shaded pole motor

Dielectric strength: AC 1500V, at 0.5mA, 50/60Hz

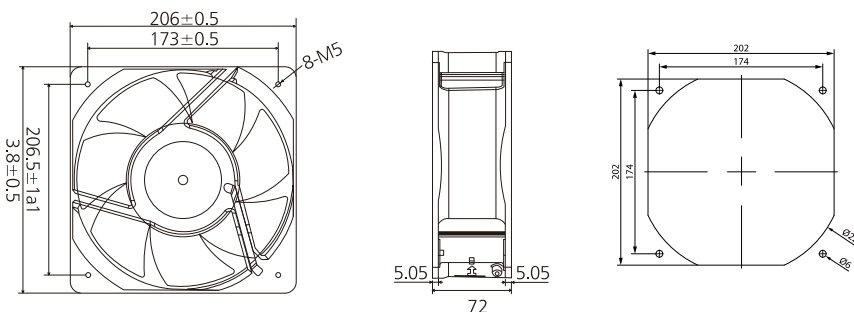
Insulation level: Class A

Material: Fan blade: PBT, 7 impeller

Bearing: Ball

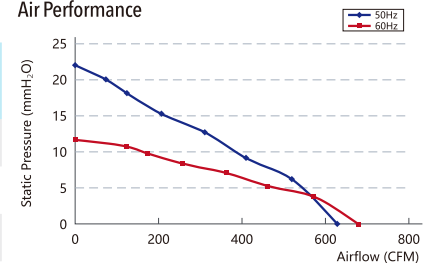
Motor life: 50000 hours

DIMENSION (mm)



Model	Voltage (V)	Freq (Hz)	Current (A)	Power (W)	Speed (RPM)	Air Volume (m ³ /h)	Max. Air Flow (CFM)	Noise (dB)
LKA20572.115	100/125	50/60	0.60/0.70	60/80	2800/3200	1071/1156	630/680	67/69
LKA20572.230	200/240	50/60	0.30/0.40	60/80	2800/3200	1071/1156	630/680	67/69

Air Performance



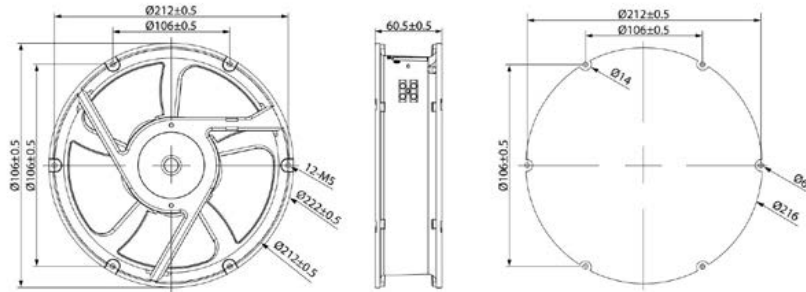
LKA22060 220x60mm



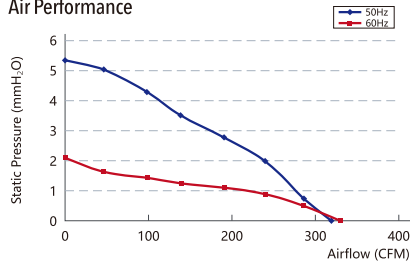
Motor structure: Shaded pole motor
Dielectric strength: AC 1500V, at 0.5mA, 50/60Hz
Insulation level: Class A

Material: Fan blade: PBT, 5 impeller
Bearing: Ball
Motor life: 50000 hours

DIMENSION (mm)



Air Performance



Model	Voltage (V)	Freq (Hz)	Current (A)	Power (W)	Speed (RPM)	Air Volume (m ³ /h)	Max. Air Flow (CFM)	Noise (dB)
LKA22060.115	100/125	50/60	0.60/0.58	45/42	2600/2700	544/561	320/330	63/65
LKA22060.230	200/240	50/60	0.35/0.32	45/42	2600/2700	544/561	320/330	63/65

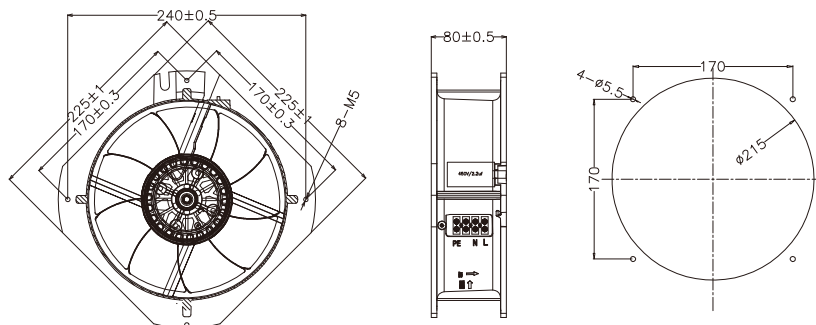
LKA22580 225x225x80mm



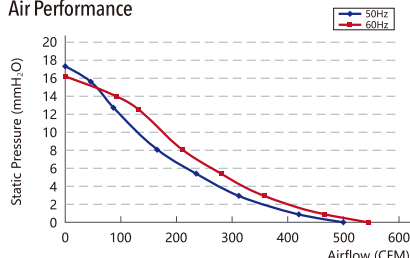
Motor structure: Shaded pole motor
Dielectric strength: AC 1500V, at 0.5mA, 50/60Hz
Insulation level: Class A

Material: Fan blade: Cold rolled plate, 9 impeller
Bearing: Ball
Motor life: 50000 hours

DIMENSION (mm)



Air Performance



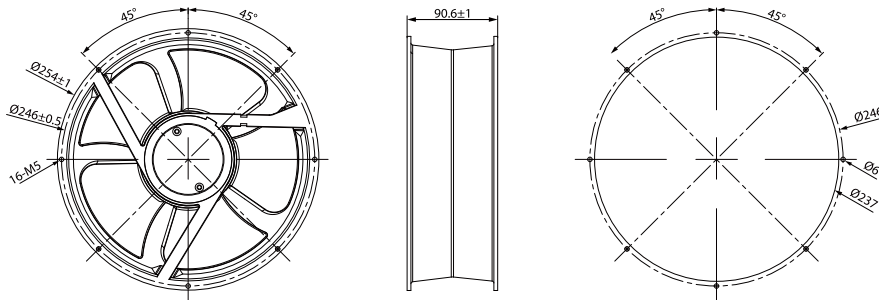
Model	Voltage (V)	Freq (Hz)	Current (A)	Power (W)	Speed (RPM)	Air Volume (m ³ /h)	Max. Air Flow (CFM)	Noise (dB)
LKA22580.115	100/125	50/60	0.55/0.65	45/55	2600/2800	850/926.5	500/545	59/61
LKA22580.230	200/240	50/60	0.30/0.35	55/65	2600/2800	850/926.5	500/545	59/61

254x89mm **LKA25489**

Motor structure: Cage motor
Dielectric strength: AC 1500V, at 0.5mA, 50/60Hz
Insulation level: Class A

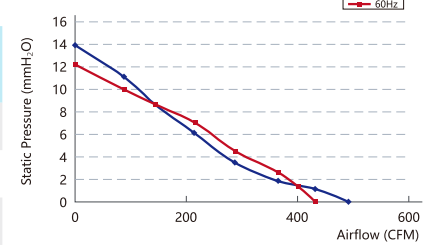
Material: Fan blade: PBT, 3 impeller
Bearing: Ball
Motor life: 50000 hours

DIMENSION (mm)



Model	Voltage (V)	Freq (Hz)	Current (A)	Power (W)	Speed (RPM)	Air Volume (m ³ /h)	Max. Air Flow (CFM)	Noise (dB)
LKA25489.115	100/125	50/60	0.85	75.5/88.7	2275/2468	836.4/736.1	492/433	170
LKA25489.230	200/240	50/60	0.40	75.5/88.7	2275/2468	836.4/736.1	492/433	170

Air Performance

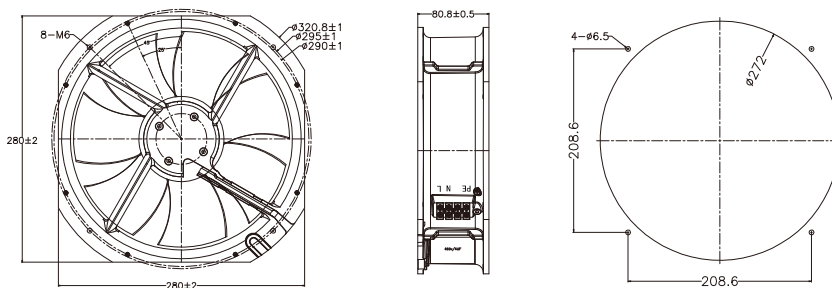


280x280x80mm **LKA28080**

Motor structure: Cage motor
Dielectric strength: AC 1500V, at 0.5mA, 50/60Hz
Insulation level: Class A

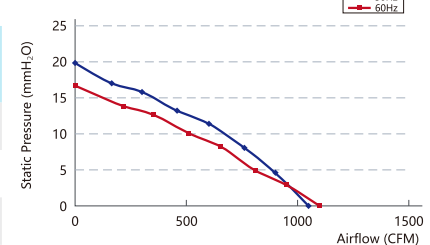
Material: Fan blade: Cold rolled plate, 7 impeller
Bearing: Ball
Motor life: 50000 hours

DIMENSION (mm)



Model	Voltage (V)	Freq (Hz)	Current (A)	Power (W)	Speed (RPM)	Air Volume (m ³ /h)	Max. Air Flow (CFM)	Noise (dB)
LKA28080.115	100/125	50/60	1.00/1.10	110/150	2550/2700	1785/1870	1050/1100	69/71
LKA28080.230	200/240	50/60	0.55/0.65	110/150	2550/2700	1785/1870	1050/1100	69/71

Air Performance

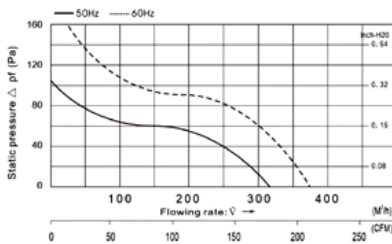


LKA17238-M 172X150X38mm



UP TO **IP44**

Air Performance



Motor structure: Motor with external rotor inducted by a running capacitor

Dielectric strength: Ac 1500v, at 0.5mA, 50/60Hz

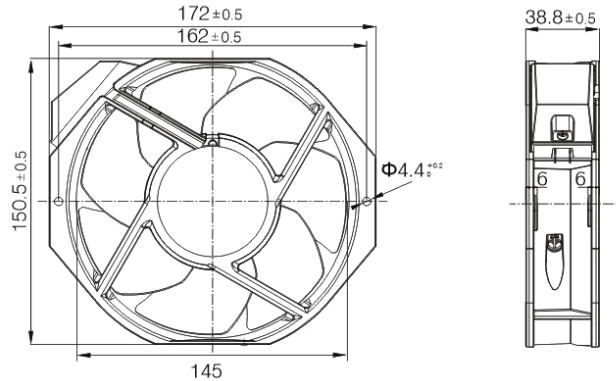
Insulation level: Class F

Material: Cold rolled plate, 7 impeller

Bearing: Ball

Motor life: 50000 hours

DIMENSION (mm)



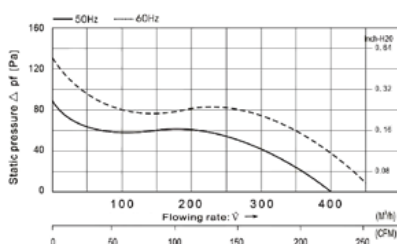
Model	Rated Voltage (V)	Freq (Hz)	Rated Current (A)	Power (W)	Speed (RPM)	Air Pressure (CFM)	Air Volume (m³/h)	Noise (dB)
LKA17238-M	230	50/60	0.13/0.125	30/29	2800/3300	184/225	314/382	51/55

LKA17252-M 172x172x52mm



UP TO **IP44**

Air Performance



Motor structure: Motor with external rotor inducted by a running capacitor

Dielectric strength: Ac 1500v, at 0.5mA, 50/60Hz

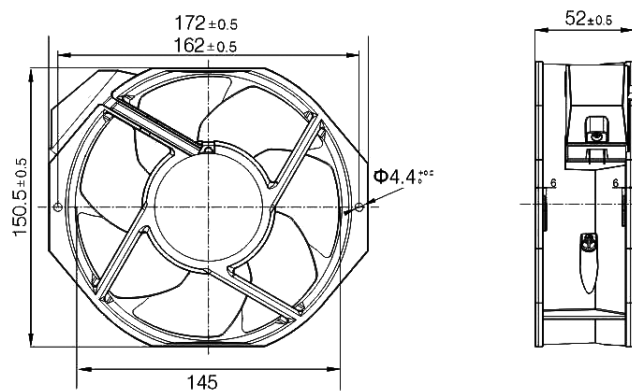
Insulation level: Class F

Material: Cold rolled plate, 7 impeller

Bearing: Ball

Motor life: 50000 hours

DIMENSION (mm)



Model	Rated Voltage (V)	Freq (Hz)	Rated Current (A)	Power (W)	Speed (RPM)	Air Pressure (CFM)	Air Volume (m³/h)	Noise (dB)
LKA17252-M	230	50/60	0.17/0.17	40/39	2700/3200	233/281	398/478	53/57

220x220x60mm **LKA22060-M**

Motor structure: Motor with external rotor inducted by a running capacitor

Dielectric strength: Ac 1500v, at0.5mA, 50/60Hz

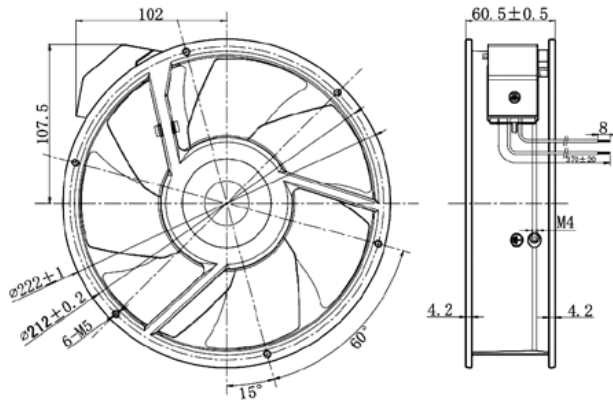
Insulation level: Class F

Material: Cold rolled plate,7 impeller

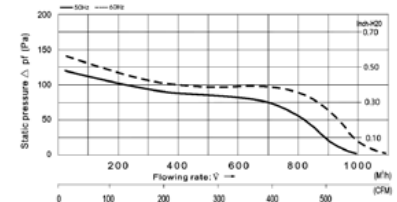
Bearing: Ball

Motor life: 50000 hours

DIMENSION (mm)



Air Performance



Model	Rated Voltage (V)	Freq (Hz)	Rated Current (A)	Power (W)	Speed (RPM)	Air Pressure (CFM)	Air Volume (m³/h)	Noise (dB)
LKA22060-M	230	50/60	0.28/0.33	61/77	2550/2780	585/649	990/1100	62/66

254x254x90mm **LKA25490-M**

Motor structure: Motor with external rotor inducted by a running capacitor

Dielectric strength: Ac 1500v, at0.5mA, 50/60Hz

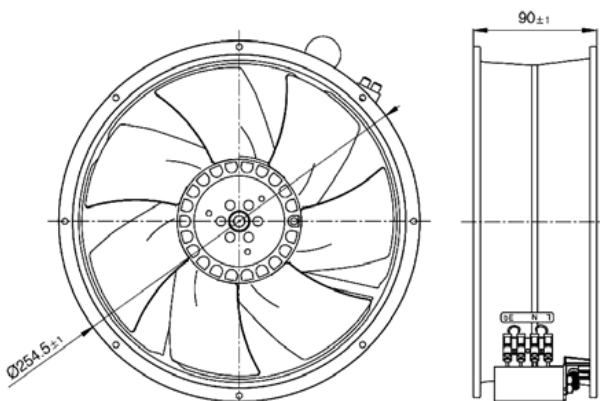
Insulation level: Class F

Material: Cold rolled plate,7 impeller

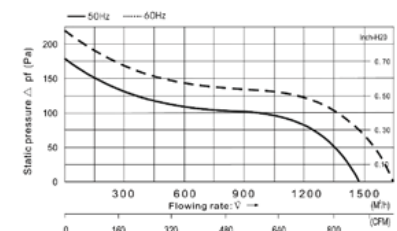
Bearing: Ball

Motor life: 50000 hours

DIMENSION (mm)



Air Performance



Model	Rated Voltage (V)	Freq (Hz)	Rated Current (A)	Power (W)	Speed (RPM)	Air Pressure (CFM)	Air Volume (m³/h)	Noise (dB)
LKA25490-M	230	50/60	0.45/0.46	86/104	2660/3000	860/1003	1460/1700	66/70

LKE SERIES EC AXIAL FANS

Insulation: Class B

Material: Impeller & Frame: Plastic (UL94V-0)

Lead Wire: UL Type

Operation Temperature: -10-70°C, 35-85%RH

Storage Temperature: -40°C-80°C, 35%-85%RH

IP68 / PWM / FG&RD / Thermal control / Auto restart / Slow startup Available Features:



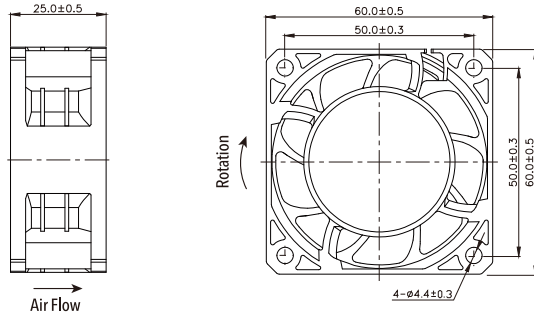
60x60x25mm **LKE6025**

Bearings: Ball bearings
Lead Wire: UL Type
Insulation level: Class B

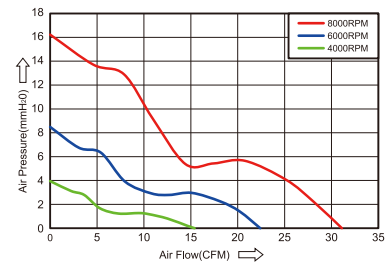
Material: Impeller & Frame: Plastic (UL94-V0)
Working temperature: -10~70°C
Weight: 85g



DIMENSION (mm)



Model	Rated Voltage (V)	Rated Current (A)	Frequency (Hz)	Operation Voltage (VAC)	Power (W)	Speed (RPM)	Air Pressure (mmH ₂ O)	Air Volume (CFM)	Noise (dB)
LKE6025HB	110/240	0.09/0.06	50/60	90-265	6	8000	14.4	28.7	45
LKE6025MB	110/240	0.05/0.03			4	6000	7.9	20.6	32
LKE6025LB	110/240	0.03/0.02			2	4000	3.7	14.1	22



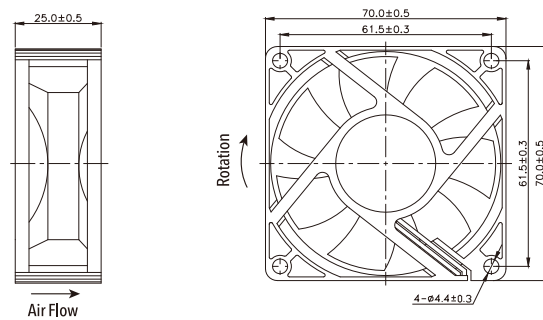
70x70x25mm **LKE7025**

Bearings: Ball bearings
Lead Wire: UL Type
Insulation level: Class B

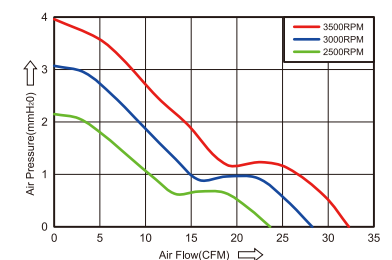
Material: Impeller & Frame: Plastic (UL94-V0)
Working temperature: -10~70°C
Weight: 70g



DIMENSION (mm)



Model	Rated Voltage (V)	Rated Current (A)	Frequency (Hz)	Operation Voltage (VAC)	Power (W)	Speed (RPM)	Air Pressure (mmH ₂ O)	Air Volume (CFM)	Noise (dB)
LKE7025HX	110/240	0.10/0.05	50/60	90-265	4	3500	4.0	29.9	27
LKE7025MX	110/240	0.08/0.04			3	3000	2.6	24.5	21
LKE7025LX	110/240	0.06/0.03			2	2500	1.8	21.6	17



LKE8025/8038

EC FAN



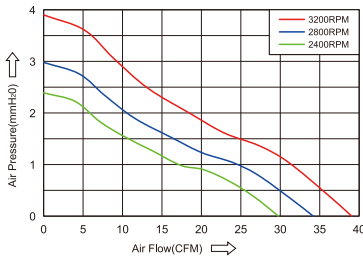
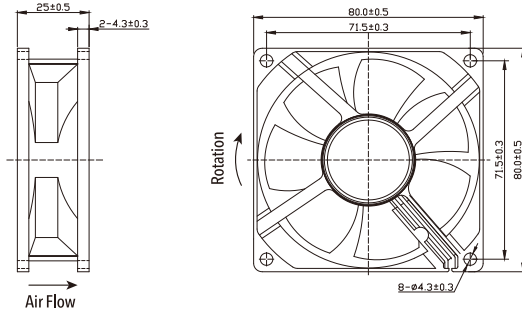
LKE8025 80x80x25mm



Bearings: Ball bearings
Lead Wire: UL Type
Insulation level: Class B

Material: Impeller & Frame: Plastic (UL94-V0)
Working temperature: -10~70°C
Weight: 76g

DIMENSION (mm)



Model	Rated Voltage (V)	Rated Current (A)	Frequency (Hz)	Operation Voltage (VAC)	Power (W)	Speed (RPM)	Air Pressure (mmH2O)	Air Volume (CFM)	Noise (dB)
LKE8025HB	110/240	0.10/0.05			5	3200	3.8	35.2	32
LKE8025MX	110/240	0.08/0.04	50/60	90-265	4	2800	2.9	31.2	25
LKE8025LX	110/240	0.06/0.03			3	2400	2.2	26.3	20

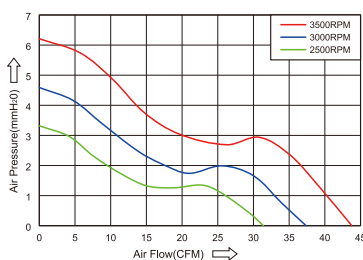
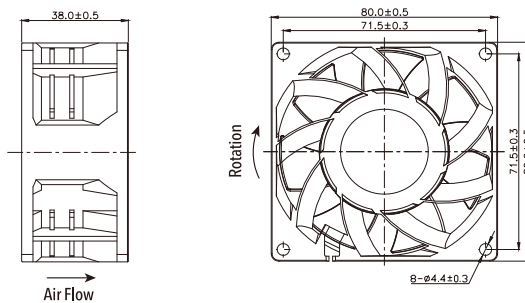
LKE8038 80x80x38mm



Bearings: Ball bearings
Lead Wire: UL Type
Insulation level: Class B

Material: Impeller & Frame: Plastic (UL94-V0)
Working temperature: -10~70°C
Weight: 140g

DIMENSION (mm)



Model	Rated Voltage (V)	Rated Current (A)	Frequency (Hz)	Operation Voltage (VAC)	Power (W)	Speed (RPM)	Air Pressure (mmH2O)	Air Volume (CFM)	Noise (dB)
LKE8038HB	110/240	0.12/0.06			6	3500	7.1	44.2	39
LKE8038MB	110/240	0.08/0.04	50/60	98-265	4	3000	4.8	36.3	33
LKE8038LB	110/240	0.06/0.03			3	2500	3.2	29.7	29

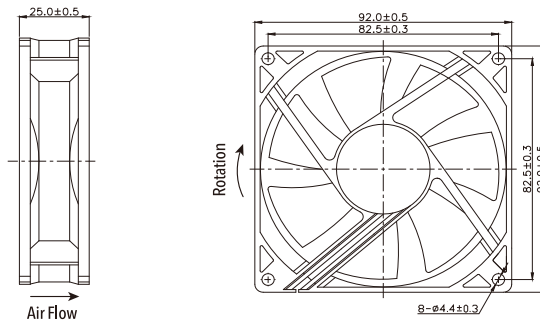
92x92x25mm **LKE9225**

Bearings: Sleeve or ball bearing
Lead Wire: UL Type
Insulation level: Class B

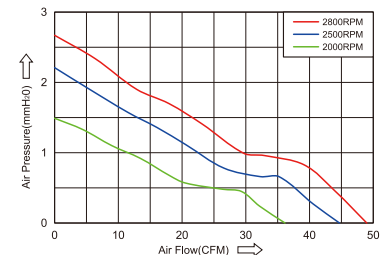
Material: Impeller & Frame: Plastic (UL94-V0)
Working temperature: -10~70°C
Weight: 85g



DIMENSION (mm)



Model	Rated Voltage (V)	Rated Current (A)	Frequency (Hz)	Operation Voltage (VAC)	Power (W)	Speed (RPM)	Air Pressure (mmH ₂ O)	Air Volume (CFM)	Noise (dB)
LKE9225HB	110/240	0.12/0.06			6	2800	2.7	42.1	27
LKE9225MX	110/240	0.10/0.05	50/60	98-265	5	2500	2.2	37.2	24
LKE9225LX	110/240	0.06/0.03			3	2000	1.5	30.1	19



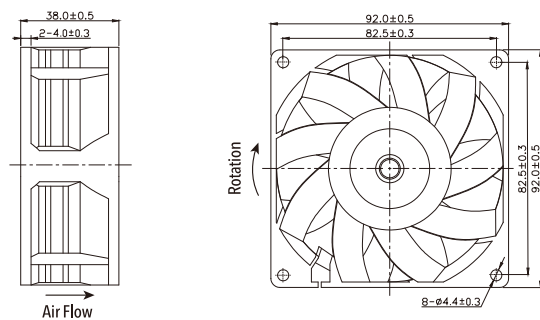
92x92x38mm **LKE9238**

Bearings: Ball bearings
Lead Wire: UL Type
Insulation level: Class B

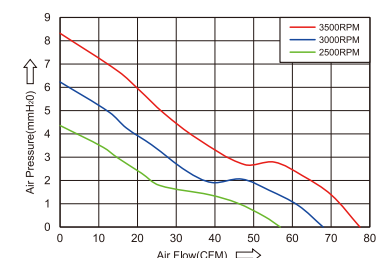
Material: Impeller & Frame: Plastic (UL94-V0)
Working temperature: -10~70°C
Weight: 175g



DIMENSION (mm)



Model	Rated Voltage (V)	Rated Current (A)	Frequency (Hz)	Operation Voltage (VAC)	Power (W)	Speed (RPM)	Air Pressure (mmH ₂ O)	Air Volume (CFM)	Noise (dB)
LKE9238HX	110/240	0.14/0.07			7	3500	8.8	71.0	38
LKE9238MX	110/240	0.10/0.05	50/60	90-265	5	3000	6.5	60.5	34
LKE9238LX	110/240	0.06/0.03			4	2500	4.5	50.1	31



LKE12025/12038-7

EC FAN



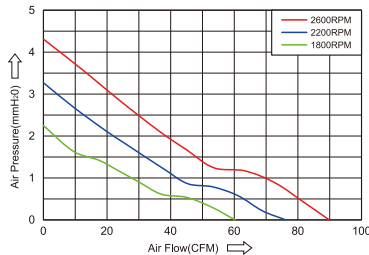
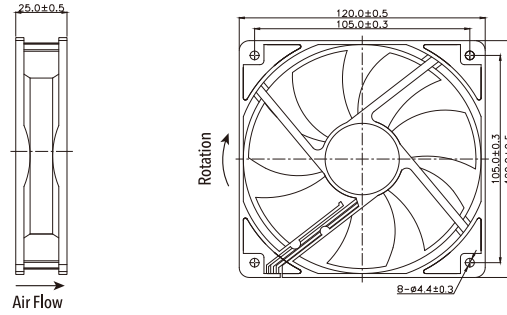
LKE12025 120x120x25mm



Bearings: Sleeve or ball bearing
Lead Wire: UL Type
Insulation level: Class B

Material: Impeller & Frame: Plastic (UL94-V0)
Working temperature: -10~70°C
Weight: 140g

DIMENSION (mm)



Model	Rated Voltage (V)	Rated Current (A)	Frequency (Hz)	Operation Voltage (VAC)	Power (W)	Speed (RPM)	Air Pressure (mmH2O)	Air Volume (CFM)	Noise (dB)
LKE12025HB	110/240	0.16/0.08	50/60	90-265	7	2600	4.5	79.6	33
LKE12025MX	110/240	0.12/0.06			4	2200	3.4	68.0	28
LKE12025LX	110/240	0.10/0.05			3	1800	2.5	55.6	23

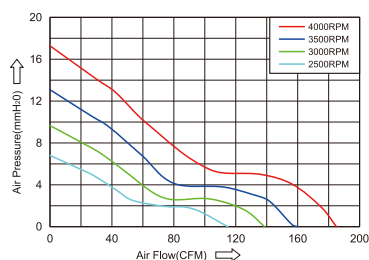
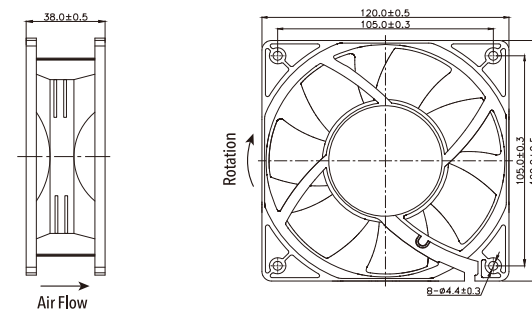
LKE12038-7 120x120x38mm



Bearings: Ball bearings
Lead Wire: UL Type
Insulation level: Class B

Material: Impeller & Frame: Plastic (UL94-V0)
Working temperature: -10~70°C
Weight: 260g

DIMENSION (mm)



Model	Rated Voltage (V)	Rated Current (A)	Frequency (Hz)	Operation Voltage (VAC)	Power (W)	Speed (RPM)	Air Pressure (mmH2O)	Air Volume (CFM)	Noise (dB)
LKE12038DB-7	110/240	0.26/0.13	50/60	90-265	18	4000	18.1	170.6	49
LKE12038HX-7	110/240	0.20/0.10			12	3500	13.9	149.7	46
LKE12038MX-7	110/240	0.16/0.08			8	3000	10.3	128.3	42
LKE12038LX-7	110/240	0.12/0.08			6	2500	7.3	110.7	38

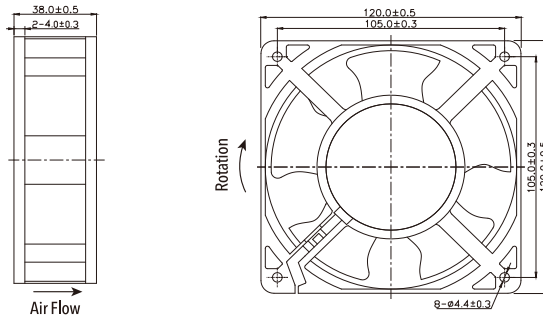
120x120x38mm **LKE12038-5**

Bearings: Sleeve or ball bearing
Lead Wire: UL Type
Insulation level: Class B

Material: Impeller & Frame: Plastic (UL94-V0)
Working temperature: -10~70°C
Weight: 360g

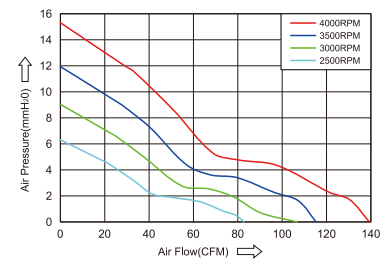


DIMENSION (mm)



UP TO **IP68** **UK CA** **CE** **RoHS COMPLIANT** -10 +70

Model	Rated Voltage (V)	Rated Current (A)	Frequency (Hz)	Operation Voltage (VAC)	Power (W)	Speed (RPM)	Air Pressure (mmH ₂ O)	Air Volume (CFM)	Noise (dB)
LKE12038DB-5	110/240	0.26/0.13	50/60	90-265	18	4000	13.0	125.0	47
LKE12038HX-5	110/240	0.20/0.10			12	3500	10.3	111.0	43
LKE12038MX-5	110/240	0.16/0.08			8	3000	7.8	95.8	38
LKE12038LX-5	110/240	0.12/0.06			6	2500	5.6	79.3	33



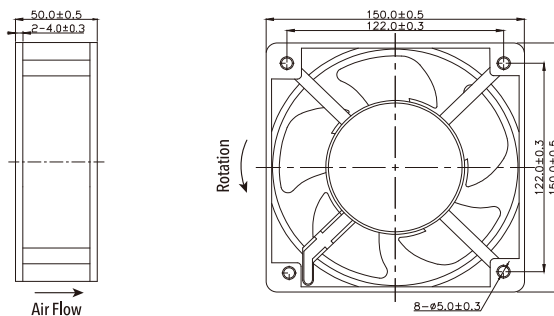
150x150x51mm **LKE15051**

Bearings: Sleeve or ball bearing
Lead Wire: UL Type
Insulation level: Class B

Material: Impeller & Frame: Plastic (UL94-V0)
Working temperature: -10~70°C
Weight: 750g

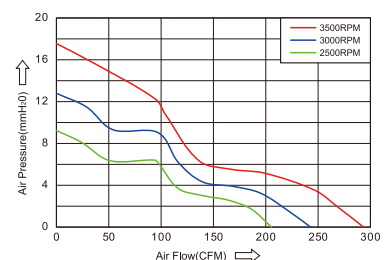


DIMENSION (mm)



UP TO **IP68** **UK CA** **CE** **RoHS COMPLIANT** -10 +70

Model	Rated Voltage (V)	Rated Current (A)	Frequency (Hz)	Operation Voltage (VAC)	Power (W)	Speed (RPM)	Air Pressure (mmH ₂ O)	Air Volume (CFM)	Noise (dB)
LKE15051HX	110/240	0.70/0.35	50/60	90-265	35	3500	20.0	258.1	52
LKE15051MX	110/240	0.50/0.25			22	3000	15.0	219.7	47
LKE15051LX	110/240	0.36/0.18			16	2500	10.6	182.2	42



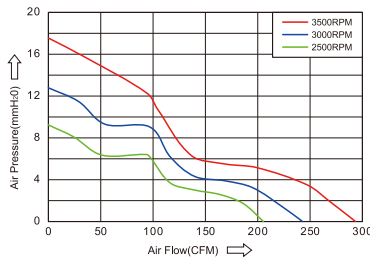
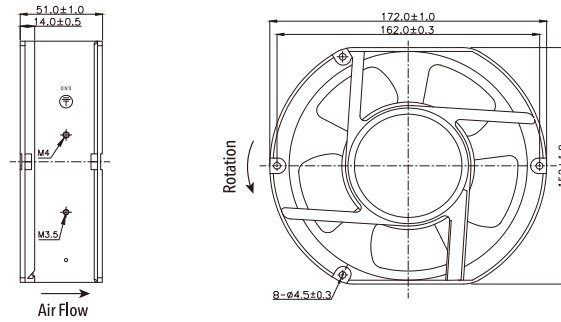
LKE17251-A 172x150x51mm



Bearings: Sleeve or ball bearing
Lead Wire: UL Type
Insulation level: Class B

Material: Impeller & Frame: Plastic (UL94-V0)
Working temperature: -10~70°C
Weight: 740g

DIMENSION (mm)



Model	Rated Voltage (V)	Rated Current (A)	Frequency (Hz)	Operation Voltage (VAC)	Power (W)	Speed (RPM)	Air Pressure (mmH2O)	Air Volume (CFM)	Noise (dB)
LKE17251HX-A	110/240	0.70/0.35			35	3500	18.7	253.9	52
LKE17251MX-A	110/240	0.50/0.25	50/60	90-265	22	3000	13.5	211.8	46
LKE17251LX-A	110/240	0.36/0.18			16	2500	9.5	177.4	42

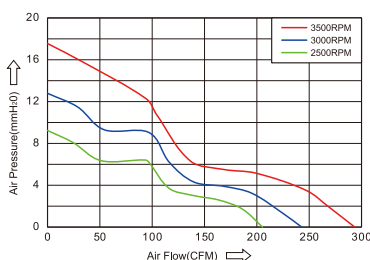
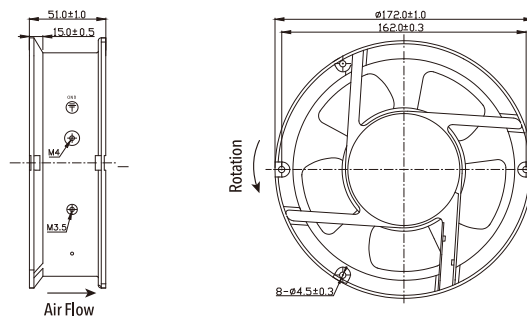
LKE 17251-B 172x51mm



Bearings: Ball bearing
Lead Wire: UL Type
Insulation level: Class B

Material: Impeller & Frame: Plastic (UL94-V0)
Working temperature: -10~70°C
Weight: 760g

DIMENSION (mm)



Model	Rated Voltage (V)	Rated Current (A)	Frequency (Hz)	Operation Voltage (VAC)	Power (W)	Speed (RPM)	Air Pressure (mmH2O)	Air Volume (CFM)	Noise (dB)
LKE17251HB-B	110/240	0.70/0.35			35	3500	20.2	254.8	48
LKE17251MB-B	110/240	0.50/0.25	50/60	90-265	22	3000	14.9	219.7	44
LKE17251LB-B	110/240	0.36/0.18			15	2500	10.5	179.6	38

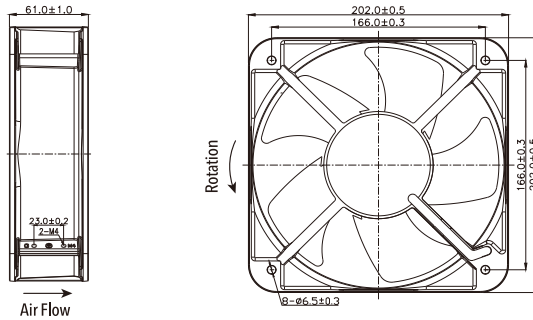
200x200x60mm **LKE 20060**

Bearings: Ball bearing
Lead Wire: UL Type
Insulation level: Class B

Material: Impeller & Frame: Plastic (UL94-V0)
Working temperature: -10~70°C
Weight: 1300g

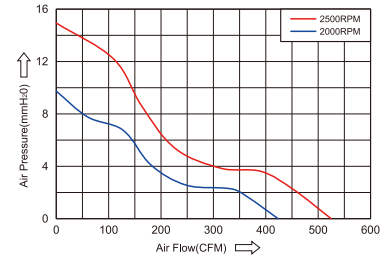


DIMENSION (mm)



UP TO **IP68** **UK CA** **CE** **RoHS COMPLIANT** -10 +70 °C

Model	Rated Voltage (V)	Rated Current (A)	Frequency (Hz)	Operation Voltage (VAC)	Power (W)	Speed (RPM)	Air Pressure (mmH ₂ O)	Air Volume (CFM)	Noise (dB)
LKE20060MB	110/240	0.80/0.40	50/60	90-265	45	2500	15.2	493.3	50
LKE20060LB	110/240	0.40/0.20			25	2000	10.0	392.8	44



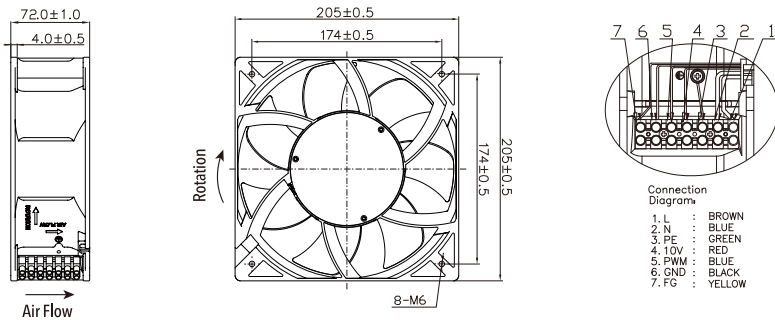
205x205x72mm **LKE20572**

Bearings: gs: Ball bearing
Lead Wire: UL Type
Insulation level: Class B

Material: Impeller & Frame: Plastic (UL94-V0)
Working temperature: -10~70°C
Weight: 1880g

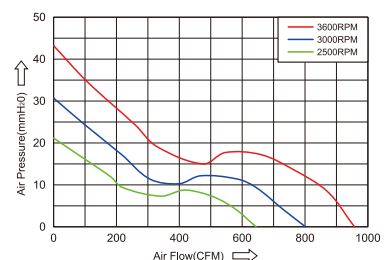


DIMENSION (mm)



UP TO **IP68** **UK CA** **CE** **RoHS COMPLIANT** -10 +70 °C

Model	Rated Voltage (V)	Rated Current (A)	Frequency (Hz)	Operation Voltage (VAC)	Power (W)	Speed (RPM)	Air Pressure (mmH ₂ O)	Air Volume (CFM)	Noise (dB)
LKE20572HB	110/240	2.02/1.10	50/60	90-265	145	3600	42.8	851.7	64
LKE20572MB	110/240	1.60/0.80			95	3000	31.7	728.4	59
LKE20572LB	110/240	1.0/0.50			60	2500	21.9	602.7	56



LKE22060/22580

EC FAN



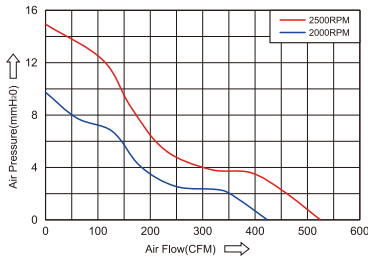
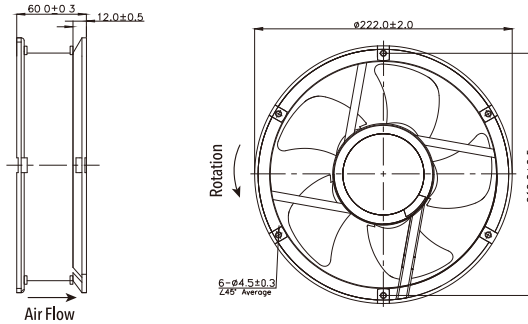
LKE22060 220x60mm



Bearings: Ball bearing
Lead Wire: UL Type
Insulation level: Class B

Material: Impeller & Frame: Plastic (UL94-V0)
Working temperature: -10~70°C
Weight: 1350g

DIMENSION (mm)



Model	Rated Voltage (V)	Rated Current (A)	Frequency (Hz)	Operation Voltage (VAC)	Power (W)	Speed (RPM)	Air Pressure (mmH2O)	Air Volume (CFM)	Noise (dB)
LKE22060MB	110/240	0.80/0.40	50/60	90-265	45	2500	14.0	490.8	50
LKE22060LB	110/240	0.40/0.20			25	2000	9.9	396.6	44

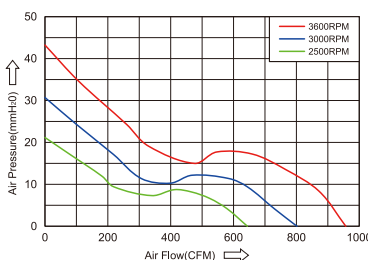
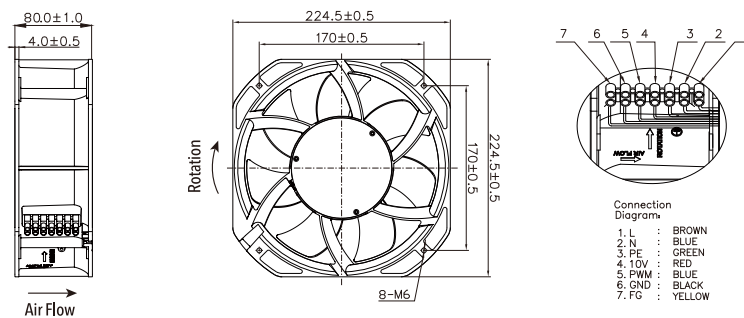
LKE 22580 225x225x80mm



Bearings: Ball bearing
Lead Wire: UL Type
Insulation level: Class B

Material: Impeller & Frame: Plastic (UL94-V0)
Working temperature: -10~70°C
Weight: 2000g

DIMENSION (mm)



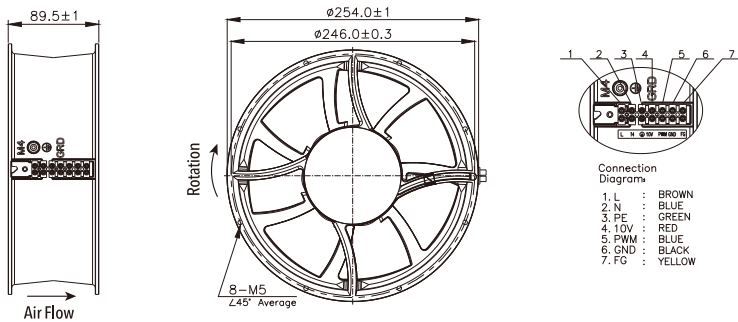
Model	Rated Voltage (V)	Rated Current (A)	Frequency (Hz)	Operation Voltage (VAC)	Power (W)	Speed (RPM)	Air Pressure (mmH2O)	Air Volume (CFM)	Noise (dB)
LKE22580HB	110/240	2.02/1.10	50/60	90-265	145	3600	43.6	869.5	63
LKE22580MB	110/240	1.60/0.80			95	3000	32.2	730.8	58
LKE22580LB	110/240	1.0/0.50			60	2500	22.3	619.2	54

254x89mm **LKE 25489**

Bearings: Ball bearing
Lead Wire: UL Type
Insulation level: Class B

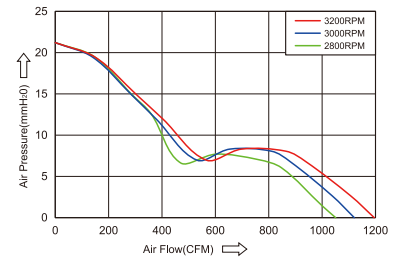
Material: Impeller & Frame: Plastic (UL94-V0)
Working temperature: -10~70°C
Weight: 2100g

DIMENSION (mm)



UP TO **IP68** **UK CA** **CE** **RoHS COMPLIANT** -10 +70

Model	Rated Voltage (V)	Rated Current (A)	Frequency (Hz)	Operation Voltage (VAC)	Power (W)	Speed (RPM)	Air Pressure (mmH ₂ O)	Air Volume (CFM)	Noise (dB)
LKE25489HB	110/120	2.0/1.10	50/60	90-135	145	3200	27.1	981.6	60
LKE25489MB	110/120	1.80/0.90			115	2500	24.8	796.7	55
LKE25489LB	110/120	1.60/0.80	50/60	190-265	110	2000	15.8	628.3	48
LKE25489H2B	220/240	1.10			145	3200	27.1	981.6	60
LKE25489M2B	220/240	0.90			115	2500	24.8	796.7	55
LKE25489L2B	220/240	0.80			100	2000	15.8	628.3	48

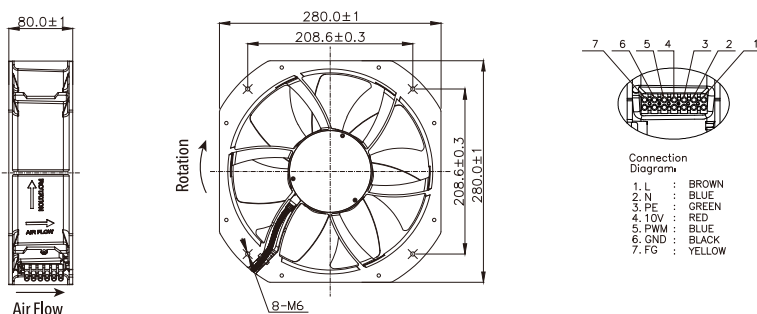


280x280x80mm **LKE28080**

Bearings: Ball bearing
Lead Wire: UL Type
Insulation level: Class B

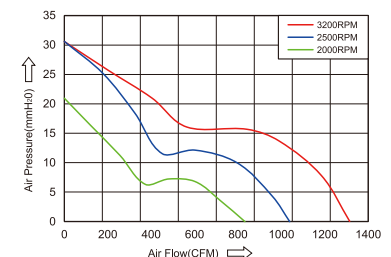
Material: Impeller & Frame: Plastic (UL94-V0)
Working temperature: -10~70°C
Weight: 2400g

DIMENSION (mm)



UP TO **IP68** **UK CA** **CE** **RoHS COMPLIANT** -10 +70

Model	Rated Voltage (V)	Rated Current (A)	Frequency (Hz)	Operation Voltage (VAC)	Power (W)	Speed (RPM)	Air Pressure (mmH ₂ O)	Air Volume (CFM)	Noise (dB)
LKE28080HB	110/240	2.0/4.0	50/60	90-265	145	3200	31.6	1225.7	63
LKE28080MB	110/240	1.40/0.70			75	2500	31.6	994.6	58
LKE28080LB	110/240	1.0/0.50	45	2000	21.7	790.1	54		



LK SERIES DC FAN

Multiple rotational speeds are available, with a maximum IP rating of IP68. Customization, speed regulation, speed detection, and fault alarm functions are available.



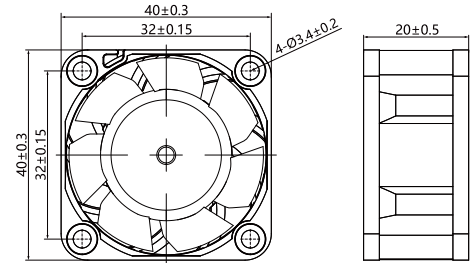
LK4020 40x40x20mm



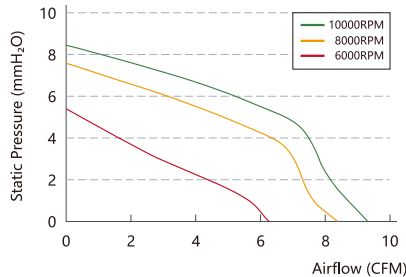
PARAMETER

Bearings: Sleeve or ball bearings
Material: PBT 7 fan blade
Motor life: 30,000h (Sleeve) / 70,000h (ball)
Insulation level: Class A
Working temperature: -20~60°C
Weight: 24.5g

DIMENSION (mm)



Air Performance



Model	Voltage (V)	Current (A)	Power (W)	Speed (RPM)	Air Flow (CFM)	Noise (dB)
LK4020L05	05	0.2	1	6000	6.16	23.6
LK4020L12	12	0.08	0.96			
LK4020L24	24	0.04	0.96			
LK4020M05	12	0.28	1.4	8000	8.23	25.4
LK4020M12	24	0.15	1.8			
LK4020M24	12	0.08	1.92			
LK4020H12	24	0.25	3	10000	9.15	27.2
LK4020H24	48	0.12	2.88			

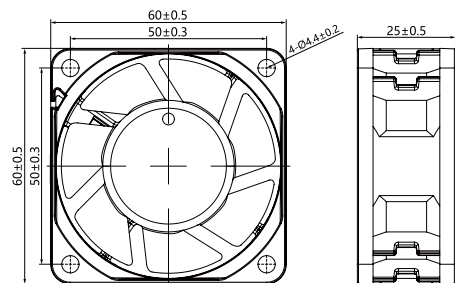
LK6025 60x60x25mm



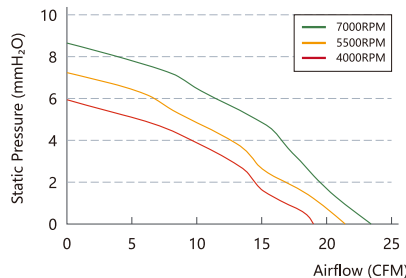
PARAMETER

Bearings: Sleeve or ball bearings
Material: PBT 7 fan blade
Motor life: 30,000h (Sleeve) / 70,000h (ball)
Insulation level: Class A
Working temperature: -20~60°C
Weight: 61.2g

DIMENSION (mm)



Air Performance



Model	Voltage (V)	Current (A)	Power (W)	Speed (RPM)	Air Flow (CFM)	Noise (dB)
LK6025L12	12	0.15	1.8	4000	19.158	36.9
LK6025L24	24	0.08	1.92			
LK6025L48	48	0.04	1.92			
LK6025M12	12	0.3	3.6	5500	21.62	38
LK6025M24	24	0.15	3.6			
LK6025M48	48	0.08	3.84			
LK6025H12	12	0.45	5.4	7000	23.596	41.1
LK6025H24	24	0.25	6			
LK6025H48	48	0.12	5.76			

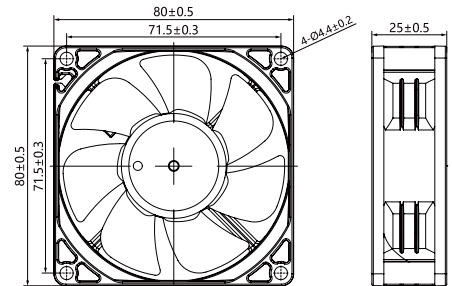
LK8025 80x80x25mm



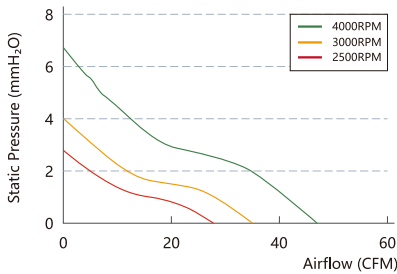
PARAMETER

Bearings: Sleeve or ball bearings
Material: PBT 7 fan blade
Motor life: 30,000h (Sleeve) / 50,000h (ball)
Insulation level: Class A
Working temperature: -20~60°C
Weight: 72g

DIMENSION (mm)



Air Performance



Model	Voltage (V)	Current (A)	Power (W)	Speed (RPM)	Air Flow (CFM)	Noise (dB)
LK8025L12B	12	0.08	0.96	2500	26.67	29.2
LK8025L24B	24	0.04	0.96			
LK8025M12B	12	0.13	1.56	3000	33.46	33.5
LK8025M24B	24	0.07	1.68			
LK8025H12B	12	0.25	3.00	4000	44.05	41.2
LK8025H24B	24	0.12	2.88			
LK8025H48B	48	0.06	2.88			

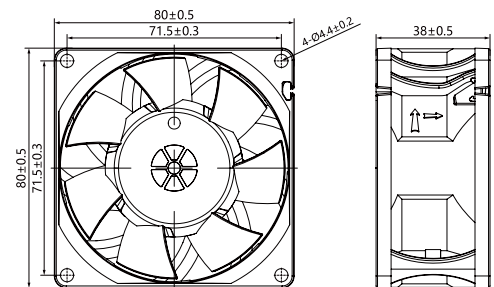
LK8038-HP 80x80x38mm



PARAMETER

Bearings: Sleeve or ball bearings
Material: PBT 7 fan blade
Motor life: 30,000h (Sleeve) / 50,000h (ball)
Insulation level: Class A
Working temperature: -20~60°C
Weight: 177.6g

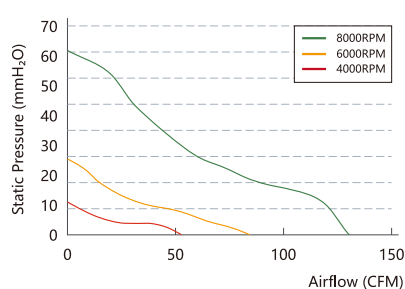
DIMENSION (mm)



High Pressure series



Air Performance



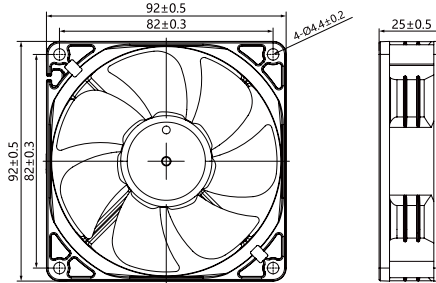
Model	Voltage (V)	Current (A)	Power (W)	Speed (RPM)	Air Flow (CFM)	Noise (dB)
LK8038L12B-HP	12	0.24	2.88	4000	46.54	48.5
LK8038L24B-HP	24	0.12	2.88			
LK8038L48B-HP	48	0.07	3.36			
LK8038M12B-HP	12	0.80	9.60	6000	69.81	58.2
LK8038M24B-HP	24	0.40	9.60			
LK8038M48B-HP	48	0.20	9.60	8000	102.23	65.8
LK8038H12B-HP	12	1.80	21.60			
LK8038H24B-HP	24	0.90	21.60			
LK8038H48B-HP	48	0.45	21.60			

92x92x25mm **LK9225**

PARAMETER

Bearings: Sleeve or ball bearings
Material: PBT 7 fan blade
Motor life: 30,000h (Sleeve) / 50,000h (ball)
Insulation level: Class A
Working temperature: -20~60°C
Weight: 102g

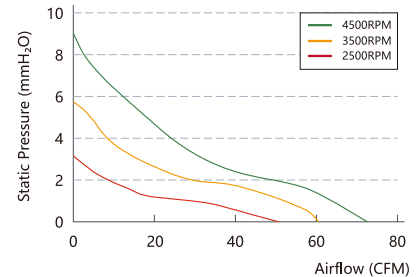
DIMENSION (mm)



Model	Voltage (V)	Current (A)	Power (W)	Speed (RPM)	Air Flow (CFM)	Noise (dB)
LK9225L12B	12	0.13	1.56	2500	38.12	31.7
LK9225L24B	24	0.06	1.44	2500	38.12	31.7
LK9225L48B	48	0.04	1.92	2500	38.12	31.7
LK9225M12B	12	0.25	3.00	3500	53.3	38.5
LK9225M24B	24	0.12	2.88	3500	53.3	38.5
LK9225M48B	48	0.06	2.88	3500	53.3	38.5
LK9225H12B	12	0.52	6.24	4500	73.2	45.8
LK9225H24B	24	0.25	6.00	4500	73.2	45.8
LK9225H48B	48	0.13	6.24	4500	73.2	45.8

UP TO **IP68**

Air Performance

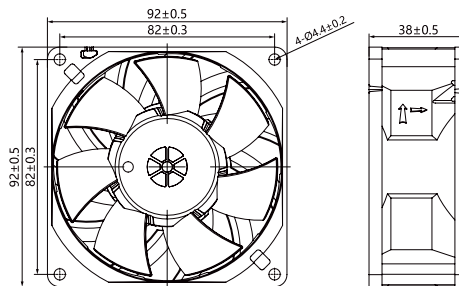


92x92x38mm **LK9238-HP**

PARAMETER

Bearings: Sleeve or ball bearings
Material: PBT 7 fan blade
Motor life: 30,000h (Sleeve) / 50,000h (ball)
Insulation level: Class A
Working temperature: -20~60°C
Weight: 202g

DIMENSION (mm)

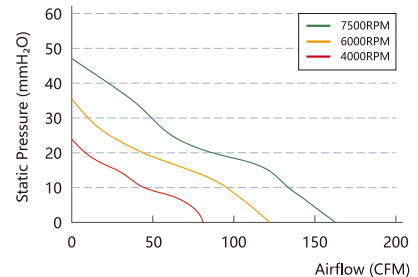


High Pressure series

Model	Voltage (V)	Current (A)	Power (W)	Speed (RPM)	Air Flow (CFM)	Noise (dB)
LK9238L12B-HP	12	0.27	3.24	4000	67.27	46.9
LK9238L24B-HP	24	0.15	3.60	4000	67.27	46.9
LK9238L48B-HP	48	0.08	3.84	4000	67.27	46.9
LK9238M12B-HP	12	0.90	10.80	6000	100.98	56.6
LK9238M24B-HP	24	0.50	12.00	6000	100.98	56.6
LK9238M48B-HP	48	0.25	12.00	6000	100.98	56.6
LK9238H12B-HP	12	1.80	21.60	7500	126.12	61.9
LK9238H24B-HP	24	0.90	21.60	7500	126.12	61.9
LK9238H48B-HP	48	0.45	21.60	7500	126.12	61.9

UP TO **IP68**

Air Performance



LK12025/12038

DC FAN



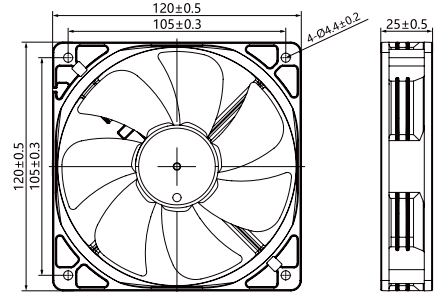
LK12025 120x120x25mm



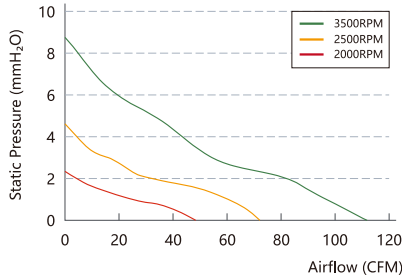
PARAMETER

Bearings: Ball bearings
Material: PBT 7 fan blade
Motor life: 50,000 h
Insulation level: Class A
Working temperature: -20~60°C
Weight: 121.3g

DIMENSION (mm)



Air Performance



Model	Voltage (V)	Current (A)	Power (W)	Speed (RPM)	Air Flow (CFM)	Noise (dB)
LK12025L12B	12	0.15	1.80	2000	60.23	37.1
LK12025L24B	24	0.09	2.16			
LK12025L48B	48	0.04	1.92			
LK12025M12B	12	0.27	3.24	2500	75.29	42.4
LK12025M24B	24	0.13	3.12			
LK12025M48B	48	0.07	3.36			
LK12025H12B	12	0.60	7.20	3500	105.4	50.5
LK12025H24B	24	0.30	7.20			
LK12025H48B	48	0.15	7.20			

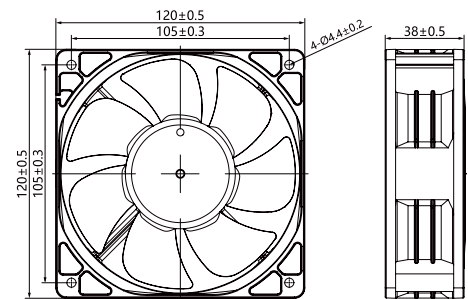
LK12038 120x120x38mm



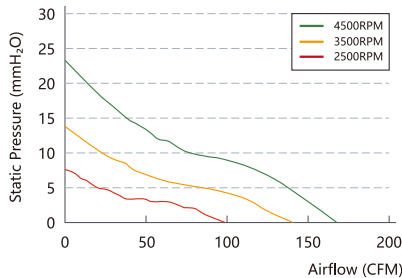
PARAMETER

Bearings: Ball bearings
Material: PBT 7 fan blade
Motor life: 50,000 h
Insulation level: Class A
Working temperature: -20~60°C
Weight: 301.5g

DIMENSION (mm)



Air Performance



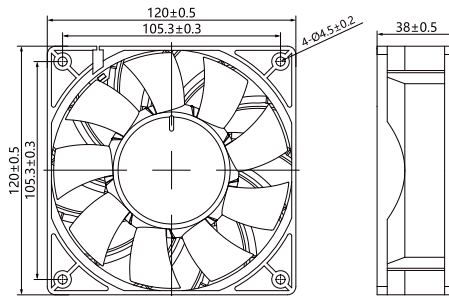
Model	Voltage (V)	Current (A)	Power (W)	Speed (RPM)	Air Flow (CFM)	Noise (dB)
LK12038L12B	12	0.30	3.60	2500	95.54	41.8
LK12038L24B	24	0.12	2.88			
LK12038L48B	48	0.08	3.84			
LK12038M12B	12	0.70	8.40	3500	133.54	50.4
LK12038M24B	24	0.32	7.68			
LK12038M48B	48	0.18	8.64			
LK12038H12B	12	1.50	18.00	4500	171.7	56.4
LK12038H24B	24	0.70	16.80			
LK12038H48B	48	0.40	19.20			

120x120x38mm **LK12038-HP**

PARAMETER

Bearings: Ball bearings
Material: PBT 9 fan blade
Motor life: 50,000 h
Insulation level: Class A
Working temperature: -20~60°C
Weight: 301.5g

DIMENSION (mm)

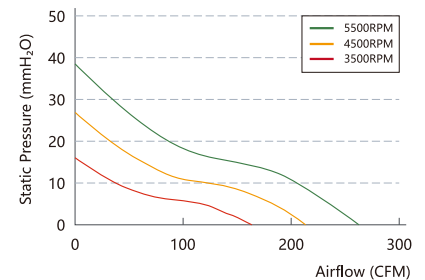


High Pressure series



Model	Voltage (V)	Current (A)	Power (W)	Speed (RPM)	Air Flow (CFM)	Noise (dB)
LK12038L12B-HP	12	0.80	9.60	3500	155.64	55.6
LK12038L24B-HP	24	0.40	9.60			
LK12038L48B-HP	48	0.20	9.60			
LK12038M12B-HP	12	1.80	21.60	4500	200.15	63.6
LK12038M24B-HP	24	0.90	21.60			
LK12038M48B-HP	48	0.45	21.60			
LK12038H12B-HP	12	3.00	36.00	5500	244.57	68.4
LK12038H24B-HP	24	1.50	36.00			
LK12038H48B-HP	48	0.75	36.00			

Air Performance

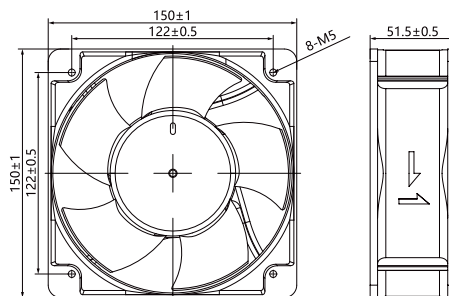


150x150x50mm **LK15050**

PARAMETER

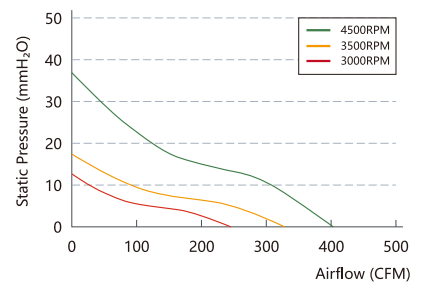
Bearings: Ball bearings
Material: PBT 5 fan blade
Motor life: 50,000 h
Insulation level: Class A
Working temperature: -20~60°C
Weight: 700g

DIMENSION (mm)



Model	Voltage (V)	Current (A)	Power (W)	Speed (RPM)	Air Flow (CFM)	Noise (dB)
LK15050L12B	12	1.10	13.20	3000	220.94	56.7
LK15050L24B	24	0.52	12.48			
LK15050L48B	48	0.27	12.96			
LK15050M12B	12	1.70	20.40	3500	257.76	60.4
LK15050M24B	24	0.82	19.68			
LK15050M48B	48	0.40	19.20			
LK15050H12B	12	3.60	43.20	4500	331.41	66.4
LK15050H24B	24	1.74	41.76			
LK15050H48B	48	0.88	42.24			

Air Performance



LK17250/20060

DC FAN



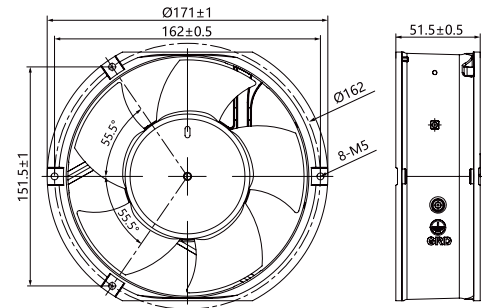
LK17250 172x150x51mm



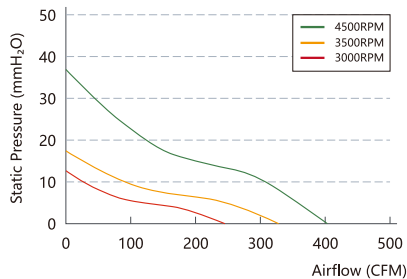
PARAMETER

Bearings: Ball bearings
Material: PBT 5 fan blade
Motor life: 50,000 h
Insulation level: Class A
Working temperature: -20~60°C
Weight: 655g

DIMENSION (mm)



Air Performance



Model	Voltage (V)	Current (A)	Power (W)	Speed (RPM)	Air Flow (CFM)	Noise (dB)
LK17250L12B	12	1.20	14.40	3000	215.64	54.2
LK17250L24B	24	0.50	12.00			
LK17250L48B	48	0.30	14.40			
LK17250M12B	12	1.60	19.20	3500	238.33	57.8
LK17250M24B	24	0.80	19.20			
LK17250M48B	48	0.40	19.20			
LK17250H12B	12	3.50	42.00	4500	306.42	63.5
LK17250H24B	24	1.70	40.80			
LK17250H48B	48	0.90	43.20			

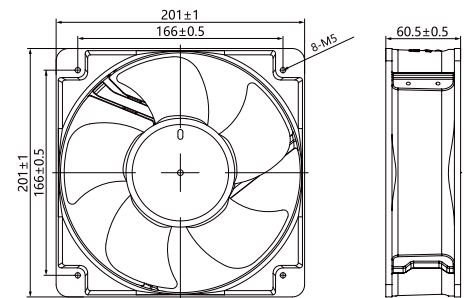
LK20060 200x200x60mm



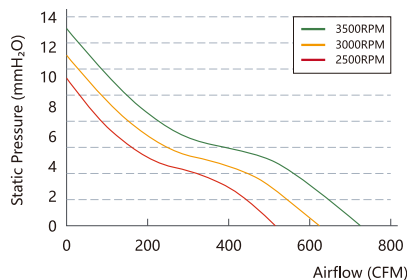
PARAMETER

Bearings: Ball bearings
Material: PBT 5 fan blade
Motor life: 50,000 h
Insulation level: Class A
Working temperature: -20~60°C
Weight: 2400g

DIMENSION (mm)



Air Performance



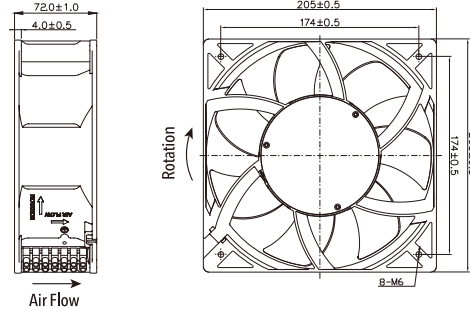
Model	Voltage (V)	Current (A)	Power (W)	Speed (RPM)	Air Flow (CFM)	Noise (dB)
LK20060L12B	12	2.15	25.80	2500	380.17	57.7
LK20060L24B	24	1.00	24.00			
LK20060L48B	48	0.52	24.96			
LK20060M12B	12	3.60	43.20	3000	518.41	62.9
LK20060M24B	24	1.76	42.24			
LK20060M48B	48	0.90	43.20			
LK20060H12B	12	5.70	68.40	3500	532.24	65.7
LK20060H24B	24	2.80	67.20			
LK20060H48B	48	1.37	65.76			

205x205x72mm **LK20572**

PARAMETER

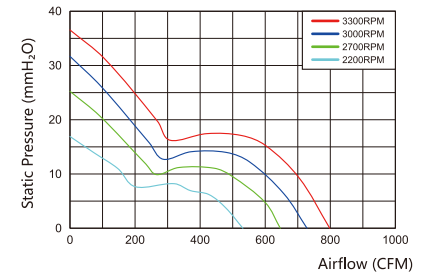
Bearings: Ball bearings
Lead Wire: UL Type
Material: Impeller: Plastic; Frame: Aluminum Alloy
Insulation level: Class B
Working temperature: -10~70°C
Weight: 1800g

DIMENSION (mm)



Model	Voltage (V)	Current (A)	Speed (RPM)	Air Pressure (mmH2O)	Air volume (CFM)	Noise (dB)
LK20572H12B	12	8.0	3000	31.7	728.4	59
LK20572H24B	24	5.0	3300	36.6	798.3	62
LK20572M24B	24	4.0	2700	25.2	646.3	57
LK20572L24B	24	3.0	2200	16.9	531.3	51
LK20572H48B	48	2.0	3300	36.6	798.3	62
LK20572M48B	48	1.50	2700	25.2	646.3	57
LK20572L48B	48	1.20	2200	16.9	531.3	51

Air Performance

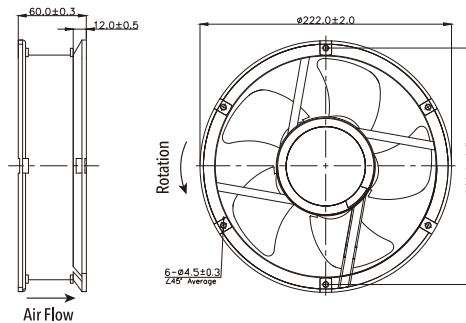


220x60mm **LK22060**

PARAMETER

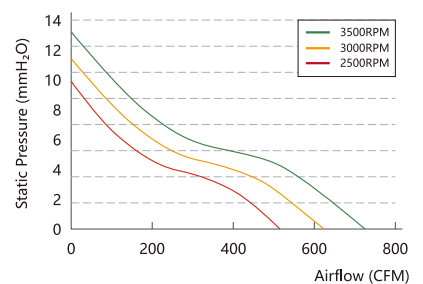
Bearings: Ball bearings
Lead Wire: UL Type
Material: Impeller: Plastic; Frame: Aluminum Alloy
Insulation level: Class B
Working temperature: -10~70°C
Weight: 1350g

DIMENSION (mm)



Model	Voltage (V)	Current (A)	Speed (RPM)	Air Pressure (mmH2O)	Air volume (CFM)	Noise (dB)
LK22060H12B	12	3.50	3000	19.7	581	55
LK22060M12B	12	2.80	2500	14.0	490.8	50
LK22060L12B	12	2.0	2000	9.9	396.7	44
LK22060H24B	24	2.0	3000	19.7	581.0	55
LK22060M24B	24	1.50	2500	14.0	490.8	50
LK22060L24B	24	1.0	2000	9.9	396.7	44
LK22060H48B	48	1.20	3000	19.7	581.0	55
LK22060M48B	48	0.80	2500	14.0	490.8	50
LK22060L48B	48	0.50	2000	9.9	396.7	44

Air Performance



LK22580/25489-7

DC FAN



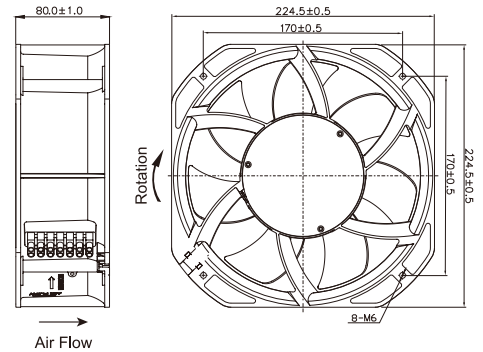
LK22580 225x225x80mm



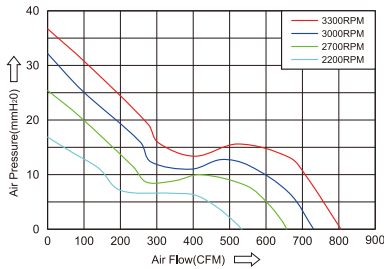
PARAMETER

Bearings: Ball bearings
Lead Wire: UL Type
Material: Impeller: Plastic; Frame: Aluminum Alloy
Insulation level: Class B
Working temperature: -10~70°C
Weight: 2000g

DIMENSION (mm)



Air Performance



Model	Voltage (V)	Current (A)	Speed (RPM)	Air Pressure (mmH2O)	Air volume (CFM)	Noise (dB)
LK22580H12B	12	8.0	3000	32.2	730.8	58
LK22580H24B	24	5.0	3300	36.7	806.0	61
LK22580M24B	24	4.0	2700	25.4	656.5	55
LK22580L24B	24	3.0	2200	16.9	533.5	50
LK22580H48B	48	2.0	3300	36.7	806.0	61
LK22580M48B	48	1.50	2700	25.4	656.5	55
LK22580L48B	48	1.20	2200	16.9	533.5	50

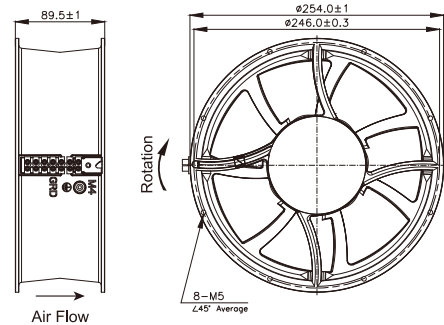
LK25489-7 254x89mm



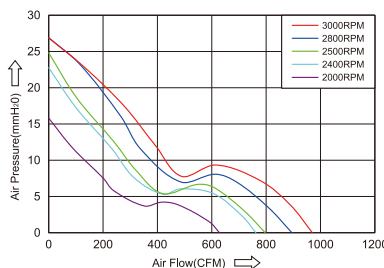
PARAMETER

Bearings: Ball bearings
Lead Wire: UL Type
Material: Impeller: Plastic; Frame: Aluminum Alloy
Insulation level: Class B
Working temperature: -10~70°C
Weight: 2100g

DIMENSION (mm)



Air Performance

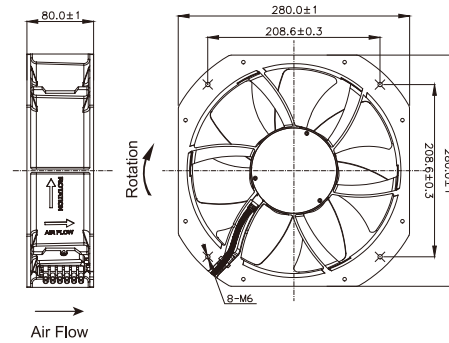


Model	Voltage (V)	Current (A)	Speed (RPM)	Air Pressure (mmH2O)	Air volume (CFM)	Noise (dB)
LK25489H12B-7	12	8.0	2500	24.8	796.7	55
LK25489H24B-7	24	4.0	2800	26.9	894.9	58
LK25489M24B-7	24	2.0	2400	22.8	762.2	53
LK25489L24B-7	24	0.80	2000	15.8	628.3	48
LK25489H48B-7	48	2.0	3000	26.9	970.1	59
LK25489M48B-7	48	1.0	2500	24.8	796.7	55
LK25489L48B-7	48	0.60	2000	15.8	628.3	48

PARAMETER

Bearings: Ball bearings
Lead Wire: UL Type
Material: Impeller: Plastic; Frame: Aluminum Alloy
Insulation level: Class B
Working temperature: -10~70°C
Weight: 2400g

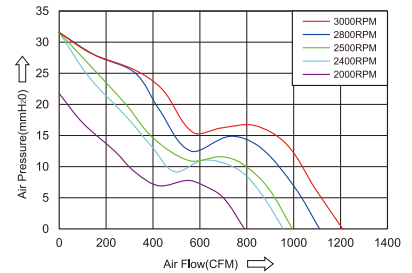
DIMENSION (mm)



UP TO **IP68**

Model	Voltage (V)	Current (A)	Speed (RPM)	Air Pressure (mmH ₂ O)	Air Volume (CFM)	Noise (dB)
LK28080H12B	12	8.0	2500	31.6	994.6	58
LK28080H24B	24	5.0	2800	31.6	1110.4	61
LK28080M24B	24	4.0	2400	31.6	955.5	57
LK28080L24B	24	3.0	2000	21.7	790.1	54
LK28080H48B	48	3.50	3000	31.6	1209.1	62
LK28080M48B	48	2.50	2500	31.6	994.6	58
LK28080L48B	48	1.20	2000	21.7	790.1	54

Air Performance



CENTRIFUGAL FAN SERIES

Dual ball bearing 360-degree outlet along the circle

Big air flow, fast heat dissipation

Integrated injection molding, high efficiency, energy saving, long life

Insulation class: F (IEC61858)



EXTERNAL SIZE 133x41mm

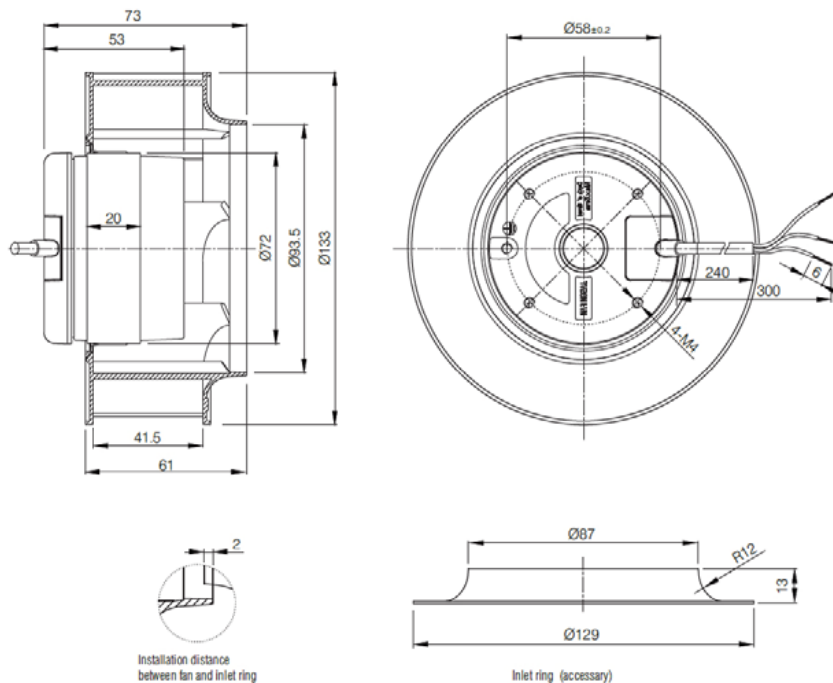
- Motor structure:** outer rotor motor 72mm
- Safety:** thermal protection
- Operating system:** high-precision double ball bearing
- Withstand voltage:** AC 1800V, at 0.5mA, 50/60Hz
- Allowable ambient temperature and humidity:** -25~+75°C
10%~+80%F
- Insulation level:** F (IEC61858 standard)
- IP level:** IP44
- Weight:** 0.66Kg
- Material:** Fan blade: PA nylon, 7 blades
Bearing: NSK ball bearing
Motor life: 60000 hours at 25°C



SPECIFICATION

Model	Voltage	Frequency	Current	Input power	Speed	Air volume		Noise
						(CFM)	(m³/h)	
C2S-133.41C	115	50	0.51	38	2650	159	270	52
		60	0.42	35	2700	177	300	55
C2E-133.41C	230	50	0.26	39	2550	159	270	52
		60	0.23	39	2670	177	300	55
C2D-133.41C	380	50	0.13	35	2550	159	270	52
		60	0.11	34	2670	177	300	55

DIMENSION (mm)



EXTERNAL SIZE 175x42mm

- Motor structure:** outer rotor motor 92mm
- Safety:** thermal protection
- Operating system:** high-precision double ball bearing
- Withstand voltage:** AC 1800V, at 0.5mA, 50/60Hz
- Allowable ambient temperature and humidity:** -25~+75°C
10%~+80%°F

Insulation level: F (IEC61858 standard)

IP level: IP44

Weight: 1.24Kg

Material: Fan blade: PA nylon, 7 blades
Bearing: NSK ball bearing
Motor life: 60000 hours at 25°C



IP44

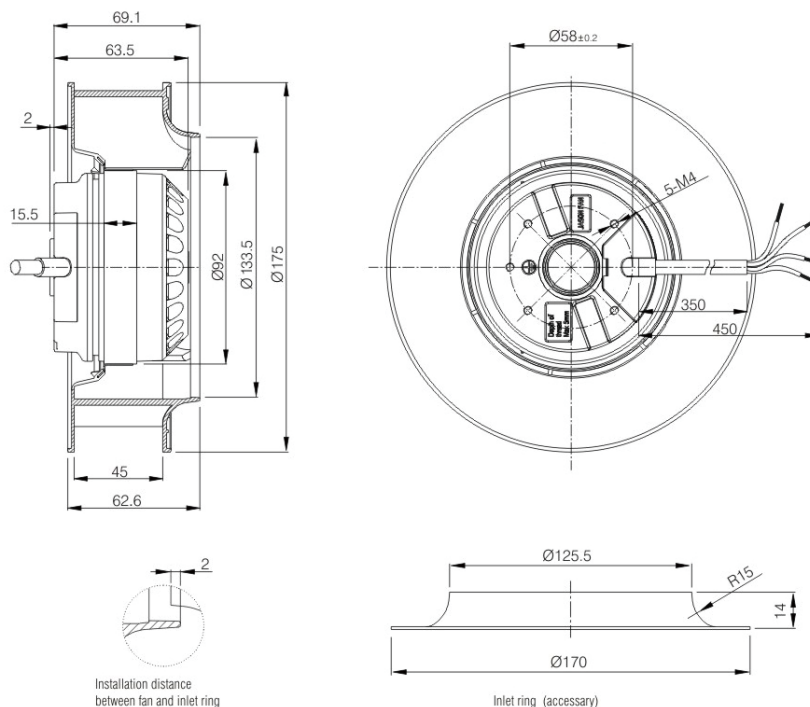
CE

-25 +75
°C

SPECIFICATION

Model	Voltage	Frequency	Current	Input power	Speed	Air volume		Noise
						(CFM)	(m³/h)	
C2S-175.45C	115	50	0.57	56	2500	324	550	58
		60	0.53	59	2850	348	590	61
C2E-175.45C	230	50	0.27	56	2500	324	550	58
		60	0.28	59	2850	348	590	61
C2S-175.45C	380	50	0.16	57	2550	296	500	59
		60	0.17	64	2900	325	550	62

DIMENSION (mm)



EXTERNAL SIZE 190x45mm

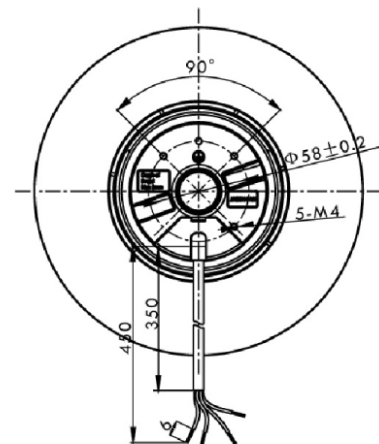
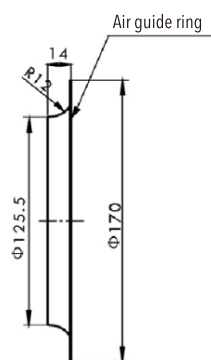
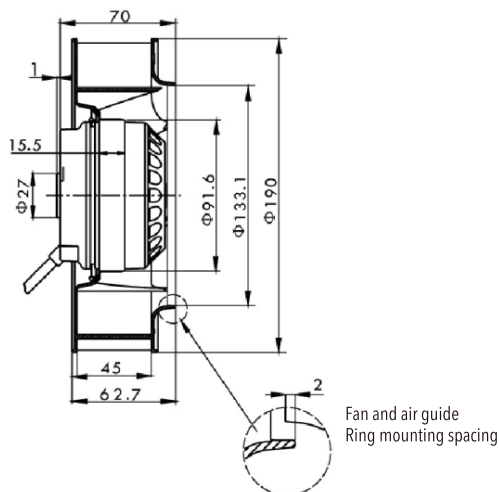
- Motor structure:** outer rotor motor 92mm
- Safety:** thermal protection
- Operating system:** high-precision double ball bearing
- Withstand voltage:** AC 1800V, at 0.5mA, 50/60Hz
- Allowable ambient temperature and humidity:** -25~+75°C
10%~+80%F
- Insulation level:** F (IEC61858 standard)
- IP level:** IP44
- Weight:** 1.27Kg
- Material:** Fan blade: PA nylon, 7 blades
Bearing: NSK ball bearing
Motor life: 60000 hours at 25°C



SPECIFICATION

Model	Voltage	Frequency	Current	Input power	Speed	Air volume		Noise
						(CFM)	(m ³ /h)	
C2S-190.45A	115	50	0.64	65	2500	336	570	59
		60	0.65	71	2700	366	620	61
C2E-190.45A	230	50	0.26	58	2500	336	570	59
		60	0.33	74	2700	366	620	61
C2D-190.45A	400	50	0.17	63	2500	336	570	59
		60	0.19	73	2700	366	620	61
C4E-190.45A	230	50	0.13	27	1400	182	310	48
		60	0.12	27	1600	212	360	51

DIMENSION (mm)



EXTERNAL SIZE 220x44mm

Motor structure: outer rotor motor 92mm

Safety: thermal protection

Operating system: high-precision double ball bearing

Withstand voltage: AC 1800V, at 0.5mA, 50/60Hz

Allowable ambient temperature and humidity: -25~+75°C
10%~+80%RH

Insulation level: F (IEC61858 standard)

IP level: IP44

Weight: 1.80Kg

Material: Fan blade: PA nylon, 7 blades

Bearing: NSK ball bearing

Motor life: 60000 hours at 25°C



IP44

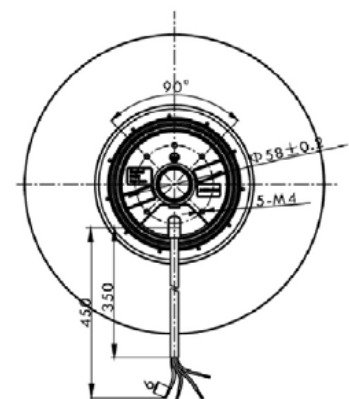
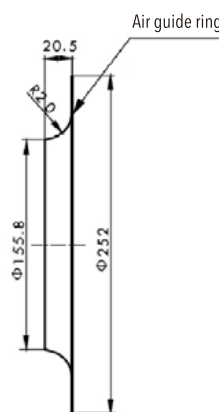
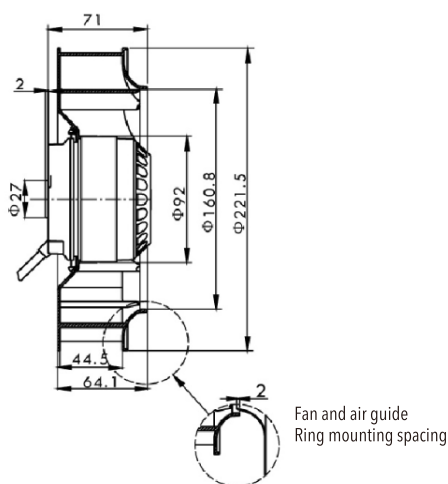
CE

-25 +75
°C

SPECIFICATION

Model	Voltage (V)	Frequency (Hz)	Current (A)	Input power (W)	Speed (RPM)	Air volume		Noise (dB)
						(CFM)	(m ³ /h)	
C2S-220.44B	115	50	1.00	98	2600	507	860	67
		60	1.17	120	2900	578	980	70
C2E-220.44B	230	50	0.46	98	2600	507	860	67
		60	0.51	118	2900	578	980	70
C2D-220.44B	400	50	0.29	100	2600	507	860	67
		60	0.35	125	2900	578	980	70
C4E-220.44B	230	50	0.23	48	1400	273	463	52
		60	0.24	58	1670	325	552	56

DIMENSION (mm)



EXTERNAL SIZE 225x63mm

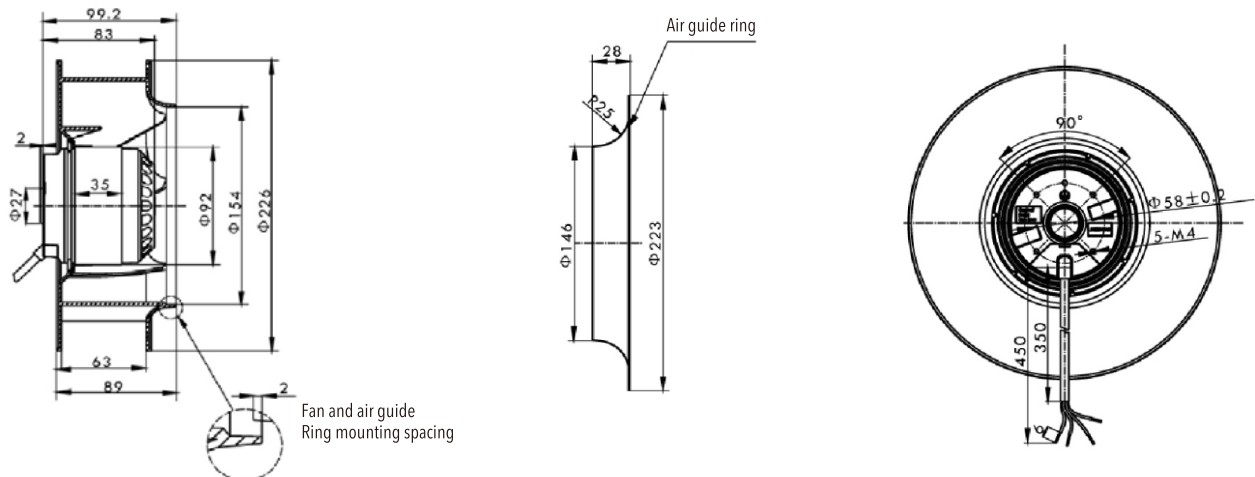
- Motor structure:** outer rotor motor 92mm
- Safety:** thermal protection
- Operating system:** high-precision double ball bearing
- Withstand voltage:** AC 1800V, at 0.5mA, 50/60Hz
- Allowable ambient temperature and humidity:** -25~+75°C
10%~+80%F
- Insulation level:** F (IEC61858 standard)
- IP level:** IP44
- Weight:** 2.30Kg
- Material:** Fan blade: PA nylon, 7 blades
Bearing: NSK ball bearing
Motor life: 60000 hours at 25°C



SPECIFICATION

Model	Voltage	Frequency	Current	Input power	Speed	Air volume		Noise
						(CFM)	(m ³ /h)	
C2S-225.63C	115	50	1.18	130	2650	708	1200	68
		60	1.53	168	2950	791	1340	71
C2E-225.63C	230	50	0.62	135	2650	708	1200	68
		60	0.77	170	2950	791	1340	71
C2D-225.63C	400	50	0.34	120	2500	708	1200	68
		60	0.44	180	2700	791	1340	71
C4E-225.63C	230	50	0.30	65	1480	419	710	61
		60	0.37	80	1650	483	818	63

DIMENSION (mm)



EXTERNAL SIZE 250x56mm

Motor structure: outer rotor motor 92mm

Safety: thermal protection

Operating system: high-precision double ball bearing

Withstand voltage: AC 1800V, at 0.5mA, 50/60Hz

Allowable ambient temperature and humidity: -25~+75°C
10%~+80%^{°F}

Insulation level: F (IEC61858 standard)

IP level: IP44

Weight: 2.90Kg

Material: Fan blade: Metal

Bearing: NSK ball bearing

Motor life: 60000 hours at 25°C



IP44

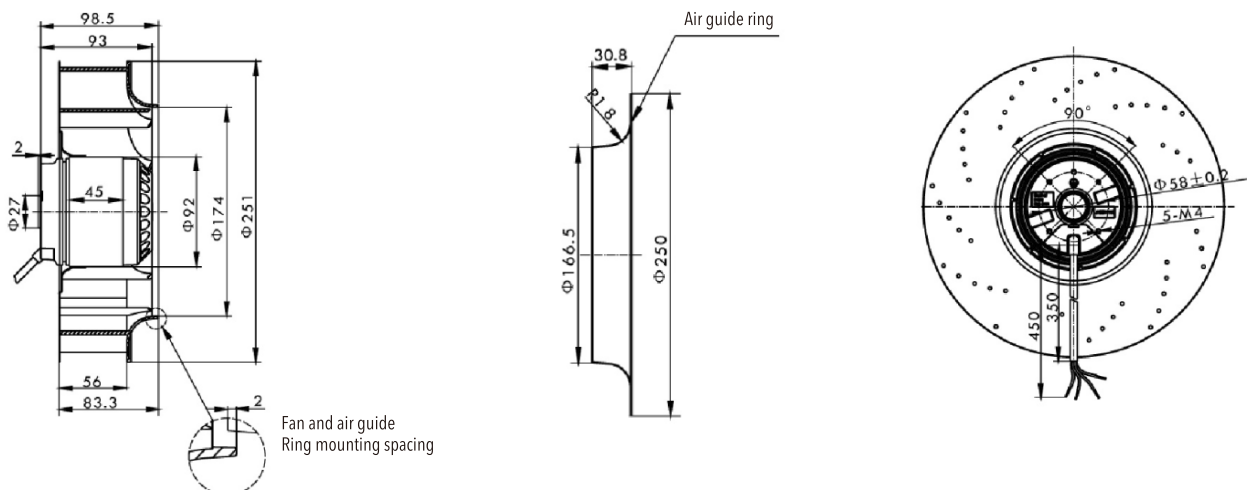
CE

-25 +75
°C

SPECIFICATION

Model	Voltage	Frequency	Current	Input power	Speed	Air volume		Noise
						(CFM)	(m ³ /h)	
C2S-250.56A	115	50	1.38	155	2600	856	1450	74
		60	1.90	208	2800	897	1520	76
C2E-250.56A	230	50	0.70	152	2550	856	1450	74
		60	0.93	205	2750	897	1520	76
C4S-250.56B	115	50	0.64	70	1400	478	810	61
		60	0.81	89	1600	548	930	64
C4E-250.56B	230	50	0.32	70	1450	484	820	61
		60	0.39	88	1650	555	940	64

DIMENSION (mm)



EXTERNAL SIZE 280x51 mm

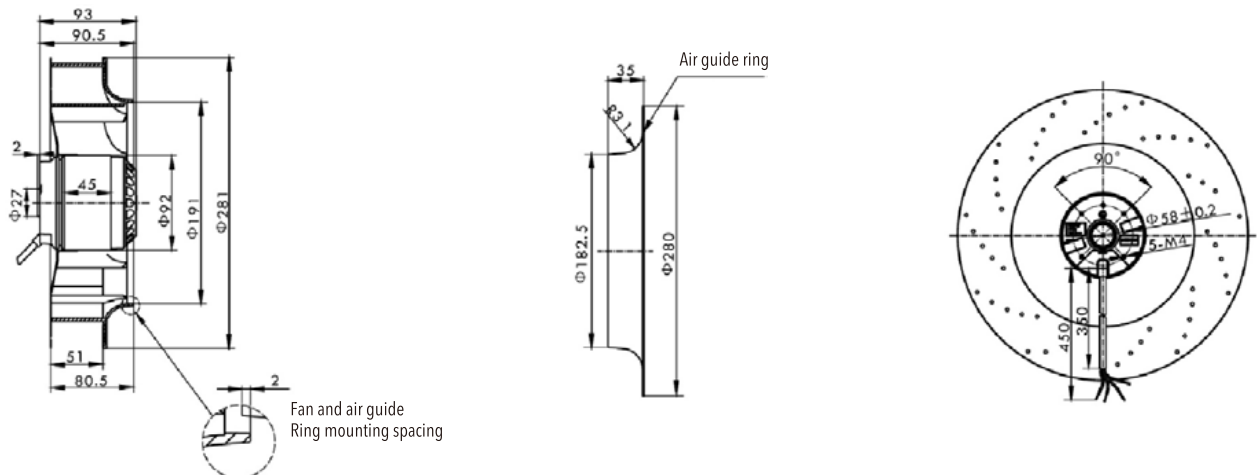
- Motor structure:** outer rotor motor 92mm
- Safety:** thermal protection
- Operating system:** high-precision double ball bearing
- Withstand voltage:** AC 1800V, at 0.5mA, 50/60Hz
- Allowable ambient temperature and humidity:** -25~+75°C
10%~+80%F
- Insulation level:** F (IEC61858 standard)
- IP level:** IP44
- Weight:** 1.27Kg
- Material:** Fan blade: Metal
Bearing: NSK ball bearing
Motor life: 60000 hours at 25°C



SPECIFICATION

Model	Voltage	Frequency	Current	Input power	Speed	Air volume		Noise
						(CFM)	(m ³ /h)	
C2E-280.51C	230	50	1.03	230	2550	1174	1990	72
		60	1.30	305	2700	1245	2110	75
C4E-280.51C	230	50	0.48	110	1400	649	1100	63
		60	0.64	145	1650	760	1290	65
C4S-280.51C	115	50	0.98	115	1400	649	1100	63
		60	1.27	145	1650	760	1290	65

DIMENSION (mm)



EXTERNAL SIZE 316x102mm

Motor structure: outer rotor motor 102mm

Safety: thermal protection

Operating system: high-precision double ball bearing

Withstand voltage: AC 1800V, at 0.5mA, 50/60Hz

Allowable ambient temperature and humidity: -25~+75°C
10%~+80%^{°F}

Insulation level: F (IEC61858 standard)

IP level: IP44

Weight: 3.80Kg

Material: Fan blade: Metal

Bearing: NSK ball bearing

Motor life: 60000 hours at 25°C



IP44

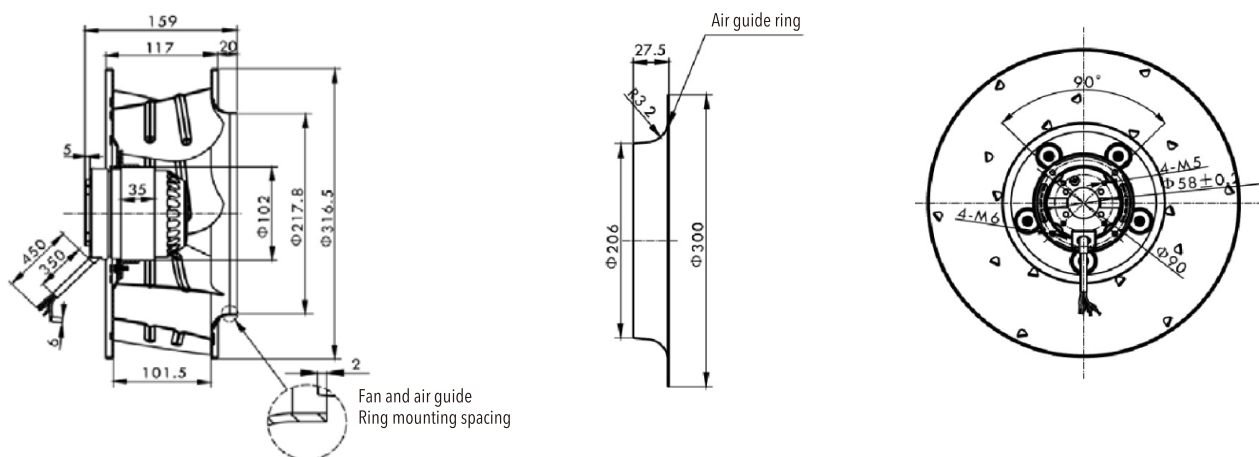
CE

-25 +75
°C

SPECIFICATION

Model	Voltage	Frequency	Current	Input power	Speed	Air volume		Noise
						(CFM)	(m ³ /h)	
C4E-315.101	230	50	0.50	110	1360	1250	2120	59
		60	0.65	150	1540	1390	2370	62
C4ED-315.101	230/400	50	0.62/0.33	136	1380	1250	2120	59
		60	0.58/0.32	137	1600	1390	2370	62
C4S-315.101	115	50	1.18	130	1370	1250	2120	59
		60	1.52	170	1550	1390	2370	62
C6E-315.101	230	50	0.32	68	940	826	1400	48
		60	0.37	83	1100	968	1640	54

DIMENSION (mm)



EXTERNAL SIZE 355x60mm

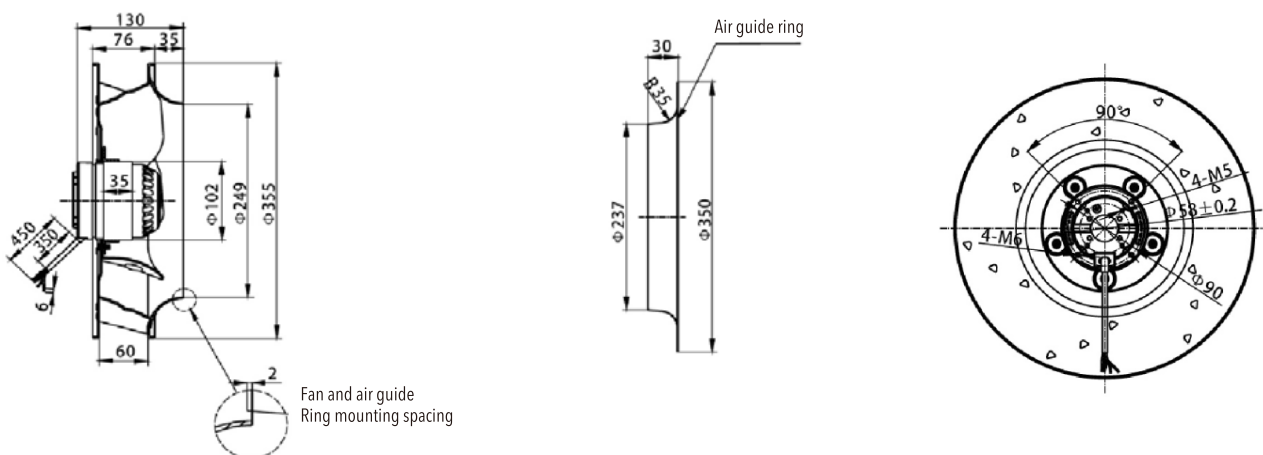
- Motor structure:** outer rotor motor 102mm
- Safety:** thermal protection
- Operating system:** high-precision double ball bearing
- Withstand voltage:** AC 1800V, at 0.5mA, 50/60Hz
- Allowable ambient temperature and humidity:** -25~+75°C
10%~+80%F
- Insulation level:** F (IEC61858 standard)
- IP level:** IP44
- Weight:** 3.90Kg
- Material:** Fan blade: Metal
Bearing: NSK ball bearing
Motor life: 60000 hours at 25°C



SPECIFICATION

Model	Voltage	Frequency	Current	Input power	Speed	Air volume		Noise
						(CFM)	(m³/h)	
C4E-355.60	230	50	0.46	105	1400	1091	1850	63
		60	0.63	145	1600	1247	2115	66
C4ED-355.60	230/400	50	0.62/0.33	136	1400	1091	1850	63
		60	0.58/0.32	137	1600	1247	2115	66
C6E-355.60	230	50	0.32	68	940	649	1240	45
		60	1.37	83	1100	760	1450	52

DIMENSION (mm)



EXTERNAL SIZE 355x95mm

Motor structure: outer rotor motor 102mm

Safety: thermal protection

Operating system: high-precision double ball bearing

Withstand voltage: AC 1800V, at 0.5mA, 50/60Hz

Allowable ambient temperature and humidity: -25~+75°C
10%~+80%^{°F}

Insulation level: F (IEC61858 standard)

IP level: IP44

Weight: 4.70Kg

Material: Fan blade: Metal

Bearing: NSK ball bearing

Motor life: 60000 hours at 25°C



IP44

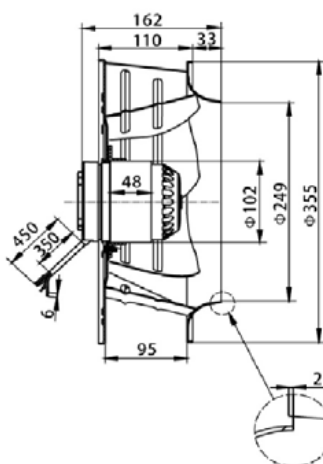
CE

-25 +75
°C

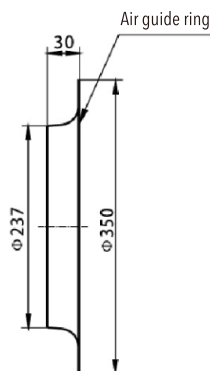
SPECIFICATION

Model	Voltage	Frequency	Current	Input power	Speed	Air volume		Noise
						(CFM)	(m ³ /h)	
C4E-355.95	230	50	0.80	175	1400	1522	2580	65
		60	1.00	250	1600	1735	2940	69
C4ED-355.95	230/400	50	0.76/0.44	166	1400	1522	2580	65
		60	0.75/0.43	225	1600	1735	2940	69
C6E-355.95	230	50	0.29	65	910	1003	1700	54
		60	0.37	85	1050	1115	1890	57

DIMENSION (mm)



Fan and air guide
Ring mounting spacing



Air guide ring

