

REGULATOR SERIES

Suitable for electrical cabinets that are moisture-proof or where the temperature cannot fall below the specified minimum value. For example controlling filter fans, heaters, and heat exchangers. It can also be used as a signal generator to monitor the internal temperature of the control cabinet.



JTO 011:

Thermostat (Normally Closed): Commonly used to connect heaters and disconnect the circuit when the temperature reaches the set value.

JTS 011:

Thermostat (Normally Open): Commonly used to monitor filter fans, heat exchangers, or close circuit output signals when the temperature exceeds the set value.

- Small and compact
- Long electrical life
- Easy to install with 35mm DIN rail
- High switching performance
- Convenient wiring and simple setup
- Small size



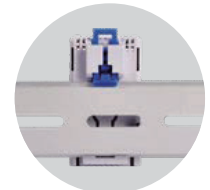
JTO 011

JTS 011

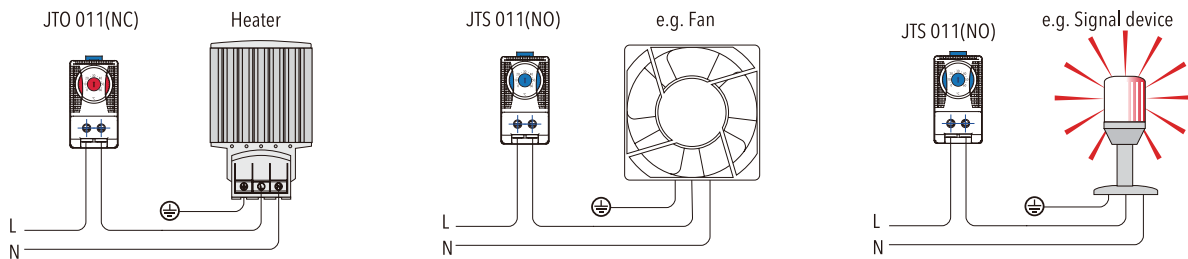


SPECIFICATION

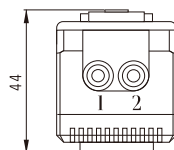
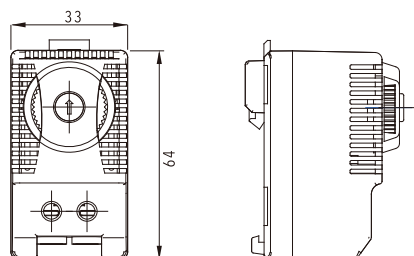
Model	JTO 011	JTS 011
Contact	NC	NO
Temperature	0~60°C	
Switching temperature difference	7k (± 4k tolerance)	
Sensing element	Bimetallic temperature sensing material	
Service life	>100000 cycles	
Maximum switching load	250VAC, 10A, 120VAC, 15A, DC15A	
Connection method	Screw Terminal	
Shell	UL94-V-0	
Install	Installation of 35mm din rail	
Size	64x33x44mm	
Weight	40g	



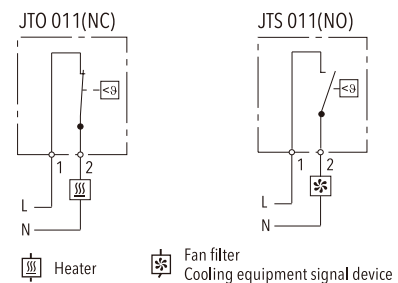
Connection Example



DIMENSION (mm)



WIRING DIAGRAM



KTO 011:

Thermostat (Normally Closed): Commonly used to connect heaters and disconnect the circuit when the temperature reaches the set value.

KTS 011:

Thermostat (Normally Open): Commonly used to monitor filter fans, heat exchangers, or close circuit output signals when the temperature exceeds the set value.

- Small and compact
- Long electrical life
- Easy to install with 35mm DIN rail
- High switching performance
- Convenient wiring and simple setup,
- Small size



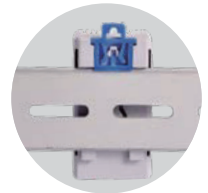
KTO 011

KTS 011

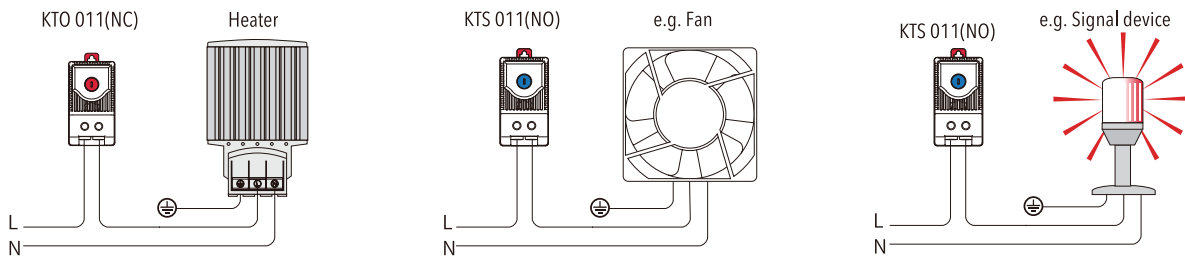


SPECIFICATION

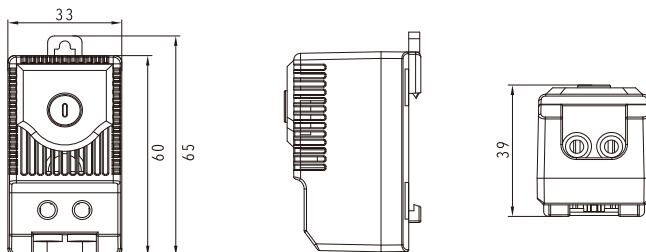
Model	KTO 011	KTS 011
Contact	NC	NO
Temperature	0~60°C	
Switching temperature difference	7k (± 4k tolerance)	
Sensing element	Bimetallic temperature sensing material	
Service life	>100000 cycles	
Maximum switching load	250VAC, 10A, 120VAC, 15A, DC15A	
Connection method	Screw Terminal	
Shell	UL94-V-0	
Install	Installation of 35mm din rail	
Size	64x33x44mm	
Weight	40g	



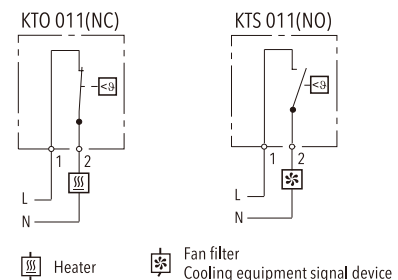
Connection Example



DIMENSION (mm)



WIRING DIAGRAM



A temperature controller with two temperature settings

• **Normally open contact:** commonly used to monitor filter fans, heat exchangers, or close circuit output signals when the temperature exceeds the set value.

• **Normally closed contact:** commonly used to connect heaters and disconnect the circuit when the temperature reaches the set value.

The heater and refrigeration equipment can be independently switched to avoid temperature deviation caused by traditional switching.

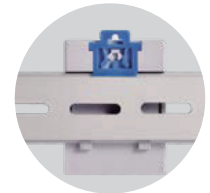
- Wide setting range
- NO and NC integrated together
- Bimetallic temperature sensing material
- Easy to install with 35mm DIN rail
- High switching performance
- Independent temperature setting



IP20 CE -20 +80 °C

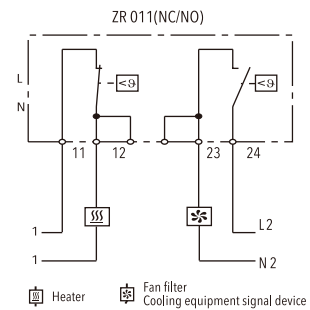
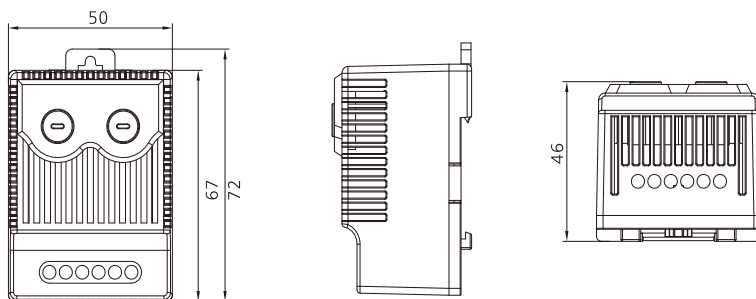
SPECIFICATION

Model	ZR 011
Contact	NC+NO
Temperature	0~60°C
Switching temperature difference	7k (± 4k tolerance)
Sensing element	Bimetallic temperature sensing material
Service life	>100000 cycles
Maximum switching load	250VAC, 10A, 120VAC, 15A, DC15A
Connection method	Screw Terminal
Shell	UL94-V-0
Install	Installation of 35mm din rail
Size	67x50x46mm
Weight	88g



DIMENSION (mm)

WIRING DIAGRAM



Features:

Four working modes are optional, and the ambient temperature and humidity thresholds can be set.

- Capacitive humidity sensor, low power consumption, stable performance;
- Passive relay output, can be used to drive cooling fan, TEC, heating wire and other devices;
- The working status of the relay is indicated by the LED indicator;
- Working power supply voltage AC 85-240V;
- Ultra small size, only 18mm width, 35mm card rail installation;
- Used to control the temperature and humidity range of power distribution cabinets.

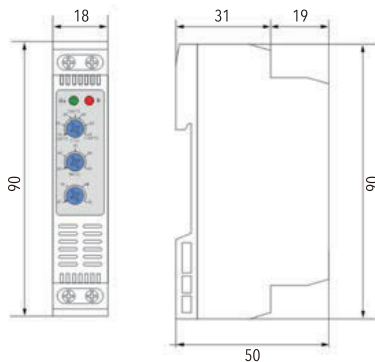


SPECIFICATION

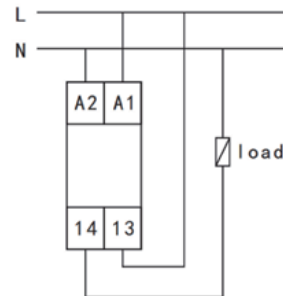
Model	KTEMF012
Dimensions	90x18x50mm
Voltage	AC 100-240V 50/60Hz
Power	1W
Weight	65g
Power terminal	A1-A2
Temperature range	10°C~60°C
Humidity range	50%~90%RH
Working temperature	-20°C~+55°C
Installation mode	35mm din rail
Connection	1*2.5mm ² / 2*1.5mm ² 0.4N·m



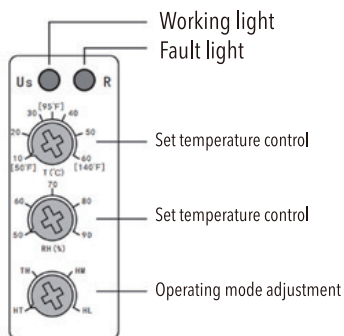
DIMENSION (mm)



WIRING DIAGRAM



PANEL DIAGRAM



Control heater-

When the temperature inside the cabinet is lower than the minimum set value, close the circuit to increase temperature; When the temperature exceeds the set value, Disconnect the line.

Control fan filter-

When the temperature inside the cabinet exceeds the maximum set value, close the circuit to cool down; When the temperature is below the set value, Disconnect the line.

- Small and compact
- Long electrical life
- Easy to install with 35mm DIN rail
- Jump type metal temperature sensing contact
- Convenient wiring and simple setup,
- Wide setting range

Outline Drawing

Alarm output contact, passive contact, AC 250V 5A

NC normally open, closed when dehumidification function fails

Definition of dehumidification function failure: Temperature or humidity sensor failure;

The dehumidifier operates continuously for 24 hours,

The relative humidity is still not less than 80%



KNC 011

KNO 011



IP20

CE

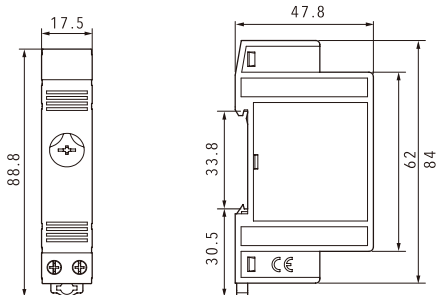
-45 +80 °C

SPECIFICATION

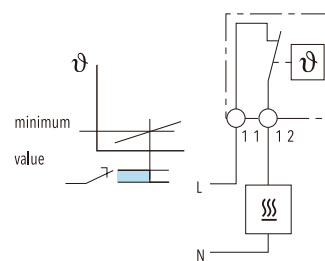
Model	KNC011	KNO 011
Contact	NC	NO
Temperature	0~60°C	
Switching temperature difference	7k (± 4k tolerance)	
Sensing element	Bimetallic temperature sensing material	
Service life	>100000 cycles	
Maximum switching load	250VAC, 10A, 120VAC, 15A, DC15A	
Connection method	Screw Terminal	
Shell	UL94-V-0	
Install	Installation of 35mm din rail	
Size	84x17.5x47.8mm	
Weight	40 g	



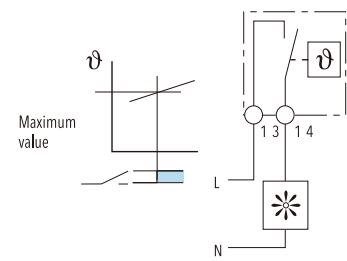
DIMENSION (mm)



HEATING CONTROL



VENTILATION CONTROL



Panel Thermo-Hygrostat

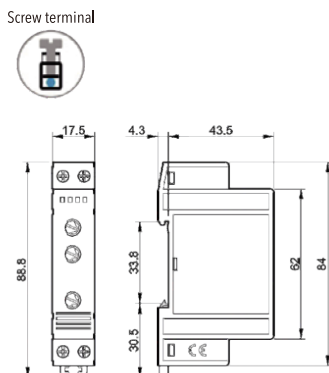
- Compact design
- Electronic control
- LED status indication contact ON
- 35 mm rail (EN 60715) mount



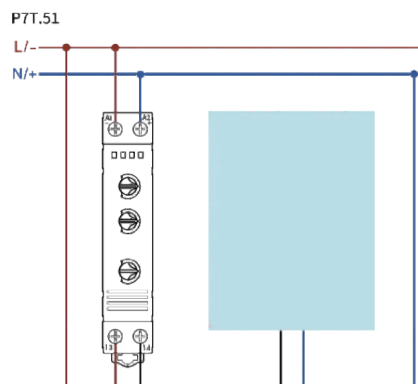
SPECIFICATION

Model	KNMF012
Contact	NO
Rated current/Maximum peak current	10/15A
Rated voltage/Maximum switching voltage	250/400V AC
Service life	>100000 cycles
Size	89x17.5x48mm
Temperature specifications	
Setting range (ventilation)	+10...+60°C
Switch differential	4 ± 2K
Setting accuracy full range	-1...+3K
Humidity specifications	
Setting range (humidity)	50...90%
Hysteresis	4 ± 2%
Setting accuracy	5%

DIMENSION (mm)



WIRING DIAGRAM



Especially suitable for controlling filter fans, heaters, and heat exchangers,
As a signal generator, this temperature regulator is also suitable for monitoring the internal temperature of the control cabinet.

- Small and compact
- Convenient wiring, terminal wiring method
- Dynamic heating, high temperature limitation
- Easy to install with 35mm DIN rail
- Wide voltage range
- Long service life

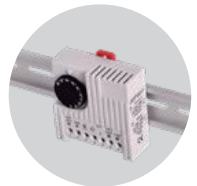
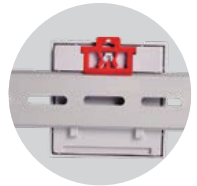
Performance

Bi-metal controller as a temperature sensitive element with thermal feedback
Contact population: Single-pole change-over contact as a quick-break contact
Voltage scope is wide, any type could be used from 24- 230 V
Time-saving connection terminal block could be installed screw from outside
Easy installation, could be installed to 35mm din rail vertically or horizontally according to EN50 022it could be clipped to TS/35 cabinet profile with its accessory adapter.



SPECIFICATION

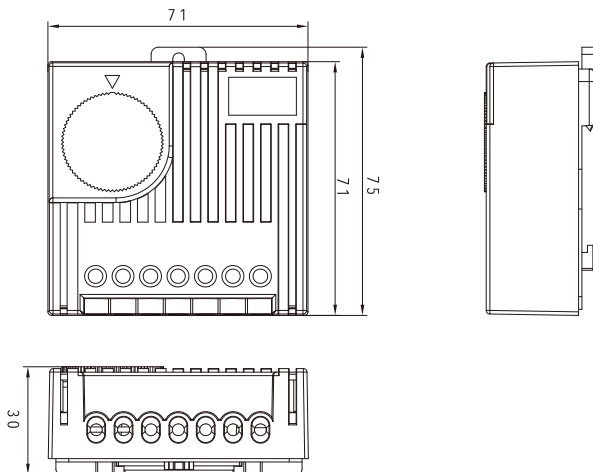
Temperature measurement range	-20~60 C	
Rated working voltage	230/115/60/48/24V (AC) 60/48/24V (DC)	
Temperature sensing element	Bimetallic temperature sensing material	
Size	71x71x33.5mm	
Weight	About 105g	
Switch difference	Approximately 1K ± 0.8K	
Permissible contact load	KI.5-3 (heating)	KI.5-4 (cooling)
(1)=inductive load	Communication 10(4) 1A,	Communication 5(4) 1A,
At cos φ= at 0.6 hours	DC=30W	DC=30W



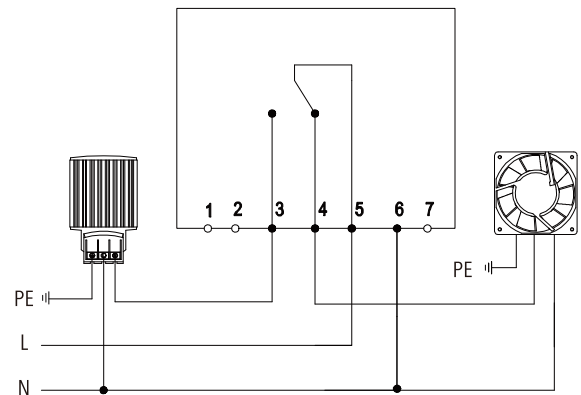
TERMINAL NUMBER

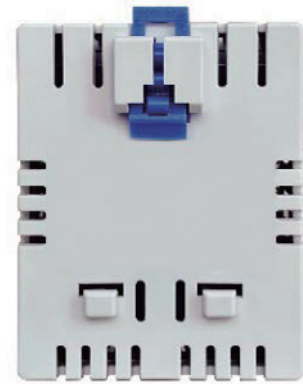
		(1)L	(L2*)250VN
3	4	5	6

DIMENSION (mm)



WIRING DIAGRAM





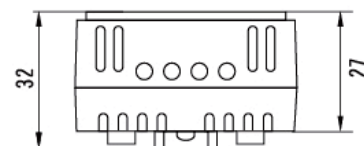
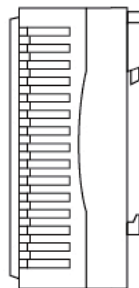
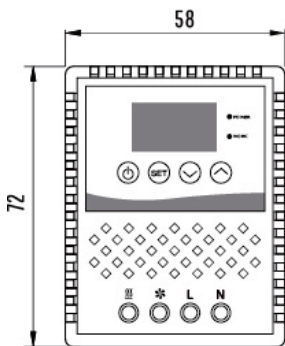
IP20 CE -20 +80 °C

SPECIFICATION

Model	THR011
Contact	NC+NO
Voltage	230VAC
Temperature	0~60°C
Switching temperature difference	7k (± 4k tolerance)
Sensing element	Electronic components
Service life	>100000 cycles
Maximum switching load	250VAC, 5A
Connection method	Screw Terminal
Shell	UL94-V-0
Install	Installation of 35mm din rail
Size	72X58X32mm
Weight	65g



DIMENSION (mm)



Controlling

Working principle: By adjusting the range knob, the working range of the humidifier is determined, and the humidity sensor detects it. When the actual humidity value in the air is less than the set value, the output power is supplied. When the actual value is greater than the set value, the output power is cut off. When setting the value; Output power outage. To prevent the load from frequently turning on at the set point, this product increases by 5% to 10% afterwards, work again.

Load selection: The product can choose different sizes and types of loads according to customer requirements.

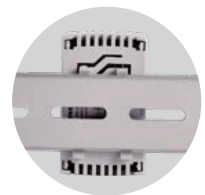
- 35% to 95% adjustable relative humidity
- High switching performance
- Three contact conversion
- Easy to install with 35mm DIN rail
- Long service life



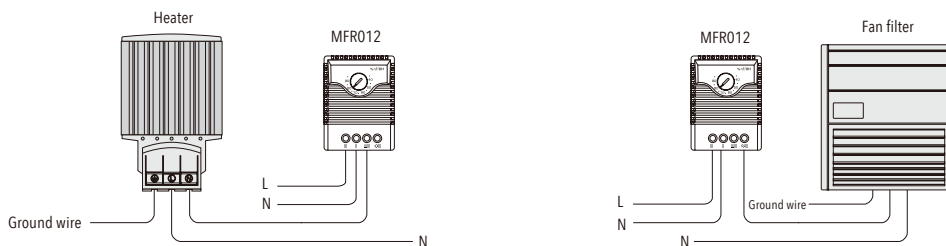
SPECIFICATION

Switching error	4% relative humidity (± 3% tolerance)
Relative humidity range	35%~95%
Allowable wind speed	15m/sec
Contactor type	Conversion contact
Contactor resistance	< 10mΩ
Service life	> 50000 cycles
Minimum switching capacity	20VAC/DC 100mA
Maximum switching load	250VAC, 5 (1)A, DC 20W
Connection method	3-pole wiring terminal, maximum clamping torque 0.5Nm: 2.5mm ² for steel wire, 1.5mm ² for multi-stranded glued wire (end)
Shell	UL94 V-0 plastic, light gray,
Install	Installation of 35mm DIN rail
Size	67x50x38mm
Weight	60g
Protection level	IP20

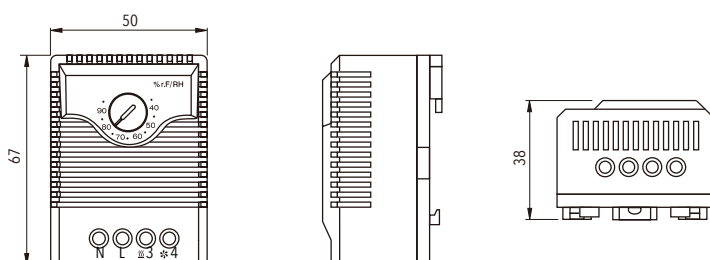
Model	Set Range
MFR 012	35~95% RH



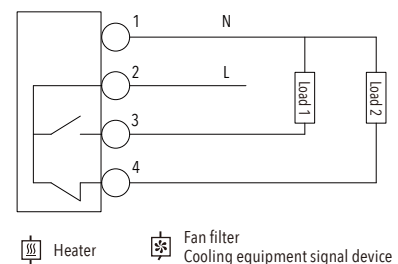
CONNECTION EXAMPLE



DIMENSION (mm)



WIRING DIAGRAM



The humidistat MFR 012-2 is designed to control the heater in the switch box, which is wet when the humidity exceeds 65%. Gas will be expelled, and this method can effectively prevent water droplets and rust.

- Adjustable relative humidity
- Easy access
- Transition contact
- Rail clamp
- High conversion capacity
- Long service life



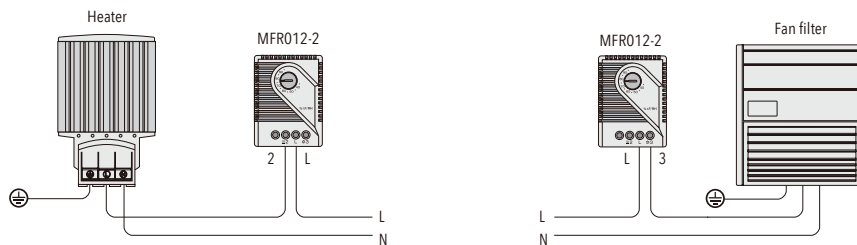
SPECIFICATION



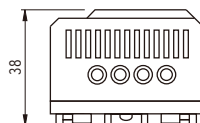
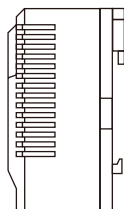
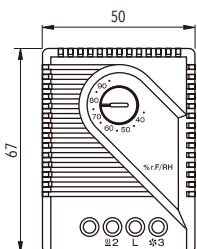
Switching error	4% relative humidity (± 3% tolerance)
Relative humidity range	35%~95%
Allowable wind speed	15m/sec
Contactor type	Conversion contact
Contactor resistance	< 10m Ω
Service life	> 50000 cycles
Minimum switching capacity	20VAC/DC 100mA
Maximum switching load	250VAC, 5 (1)A, DC 20W
Connection method	Screw terminal
Shell	UL94 V-0 plastic, light gray,
Install	Installation of 35mm DIN rail
Size	67x50x38mm
Weight	60g
Operating/storage temperature	0~+60°C (+32~+140 ° F)/-20~+80°C (-4~+176 ° F)
Protection level	IP20

Model	Set Range
MFR 012-2	35~95% RH

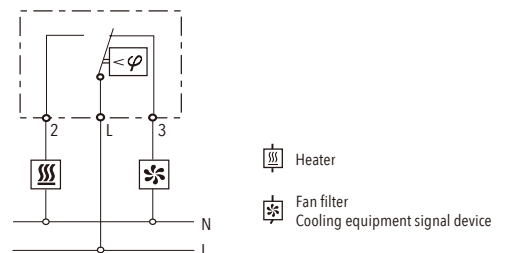
CONNECTION EXAMPLE



DIMENSION (mm)



WIRING DIAGRAM



The electronic humidity controller can sense the relative humidity inside the electrical box and turn on the heater at the set point to prevent the formation of water droplets inside the box. The LED screen at the adjustment knob will light up when the heater is working.

- Adjustable and preset relative humidity
- Optional working display (LED)
- High switching performance
- Easy to install with 35mm DIN rail
- Temperature compensation
- Long service life



SPECIFICATION

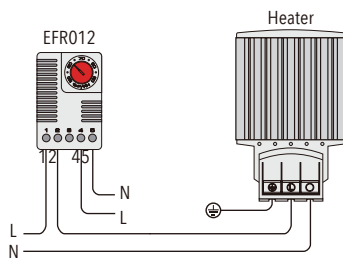


Switch differences	5% relative humidity ($\pm 1\%$ tolerance) at 25 °C / 77 ° F (50% relative humidity)
Reaction time	About 5 seconds
Contact method	Switching contact (relay)
Service life	> 50000 cycles
Maximum switching capacity (relay output)	240VAC, 8 (1.6)A: 120VAC, 8 (1.6)A: 24V DC, 4A
Electromagnetic compatibility	Complies with EU standards EN 55014-1-2, EN 61000-3-2, EN 61000-3-3
Optical indicator	LED
Connection method	Screw terminal
Install	35mm DIN rail clamp (EN50022)
Shell	UL94 V-0 light gray plastic
Weight	About 70g
Fixed position	Vertical installation
Applicable temperature	0~+60°C (+32~+140 ° F)/-20~+70°C (-4~+158 ° F)
Protection level	IP20

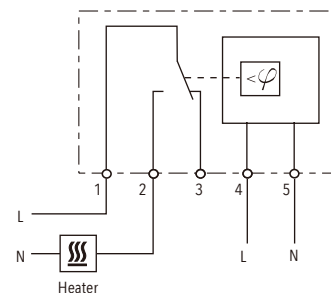


Model	Working voltage	Setting Range
01245.0-00	230v ac, 50/60hz	40 ~ 90% RH
01246.9-00	120v ac, 50/60hz	40 ~ 90% RH

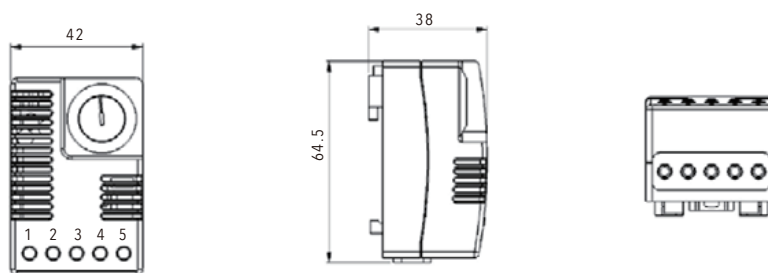
CONNECTION EXAMPLE



WIRING DIAGRAM



DIMENSION (mm)



Used to control heating and cooling equipment, filter fans, or signal devices. During operation, the LED screen will On (e.g. heater working).

- Adjustable and preset relative humidity
- Easy to install with 35mm DIN rail
- Optional working display (LED)
- Temperature compensation
- High switching performance
- Long service life



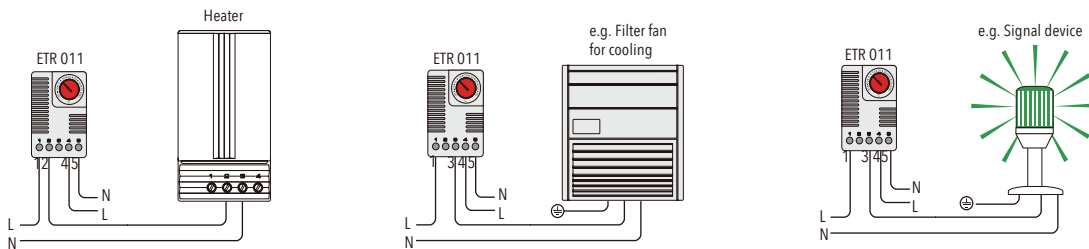
SPECIFICATION

Switch differences	5% relative humidity (± 1% tolerance) at 25 °C/77 °F (50% relative humidity)
Sensor element	NTC
Reaction time	5 seconds
Contact method	Conversion contact (relay)
Service life	>50000 cycles
Maximum switching capacity (relay output)	240VAC, 8 (1.6)A 120VAC, 8 (1.6)A 100WDC at 24V DC
Maximum inrush current	16AAC in 10 seconds
Optical indicator	LED
Connection method	Screw terminal
Install	35mm DIN rail clamp, compliant with EU EN60715 standard
Shell	Light gray plastic, symbol UL 94 V-0 standard
Size	64.5x42x38mm
Weight	About 70g
Installation position	Vertical
Operating/Storage Temperature	-40~+85°C (-40~+185°F)
Operating/Storage Humidity	Maximum humidity 90% (non condensing)

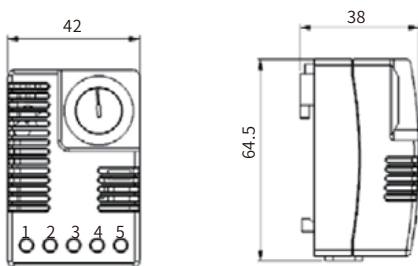


Model	Working voltage	Setting Range
01131.0-00	230VAC, 50/60Hz	-20~60°C

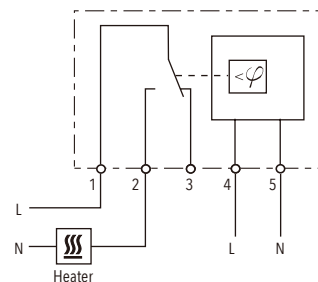
CONNECTION EXAMPLE



DIMENSION (mm)



WIRING DIAGRAM



KTOMF012 humidity controller+temperature controller (heating)
KTSMF012 humidity controller+temperature controller (refrigeration)

- Integrated temperature and humidity control
- With work indicator light
- Miniaturization suitable for various applications
- Stable and reliable long-term work
- Easy to install with 35mm DIN rail
- ROHS compliant

Advantage

- Integrated temperature and humidity control, with AC input and output for easy use
- Equipped with a work indicator light for easy identification of whether it is working properly
- Miniaturization suitable for various applications
- Stable and reliable long-term work
- Complies with ROHS standards

Performance:

- Temperature control: Reach the set temperature point automatic power off, $\pm 1 \sim 3^{\circ}\text{C}$
- Humidity control: Reach the set humidity point automatic power off, 5%-10%RH return difference value.
- Power supply: AC220V (other voltage optional)
- Power consumption: about MAX 46mA
- Working range: temperature $-10 \sim +50^{\circ}\text{C}$; Humidity 40-90%RH
- Storage conditions: temperature $-20 \sim +60^{\circ}\text{C}$; Humidity 20-95%RH
- Temperature sensitive element: bimetal sensor
- Temperature sensitive element: bimetal sensor



KTOMF012

KTSMF012

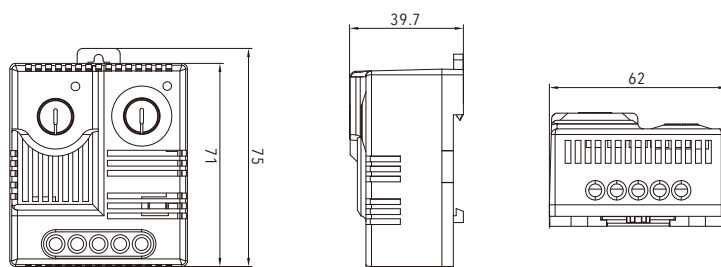


SPECIFICATION

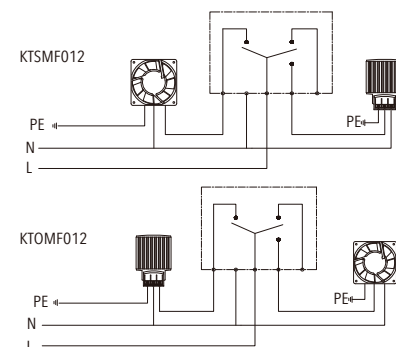
Switching temperature error	7k(±4k)
Switching humidity error	4% relative humidity, ±3% error
Temperature control sensor	Bimetallic temperature sensitive material
Relative humidity range	35% - 95%.
Temperature controlled contact form	Jump contact point
Humidity contact form	Transfer contact
Service life	750,000 cycles
Minimum switching capacity	110VAC/DC 100mA
Maximum switching capacity	240VAC 5(1)A DC30W
Electrical connection	Screw terminal
Install	35mm DN guide rail installation
Shell	Flame retardant UL94V-0 plastic, light gray RAL7035
Dimension	70 x 63 x 40mm
Weight	90g
Fixed position	Above cabinet
Operating temperature	0~+60°C(+32~+140F)
Storage temperature	-20~+80°C(-4~+176F)
Class of protection	IP20



DIMENSION (mm)



WIRING DIAGRAM



Performance:

The electronic humidity controller can sense the temperature and relative humidity inside the electrical box and turn on the heater at the set point (or replace with a fan) to prevent the generation of water droplets inside the box, and adjust the LED at the knob when the connecting device is working. The screen will light up.

- Emperature and humidity adjustable
- Easy to install with 35mm DIN rail
- Optical operating display (led)
- High switching capacity
- High switching capacity
- Long service life



SPECIFICATION

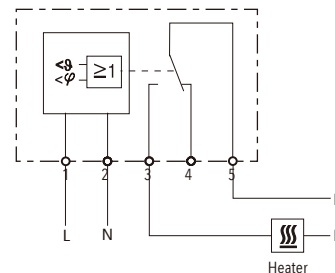
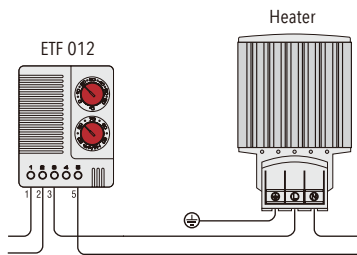
Switching differences (temperature)	2K (±1% tolerance) at 25°C / 77°F (50% relative humidity)
Switching differences (humidity)	4% relative humidity (±1% tolerance) at 25°C / 77°F (50% relative humidity)
Reaction time (humidity)	About 5 seconds
Contact method	Switching contact (relay)
Contact impedance	<10m Ω
Service life	NC: >50000 cycles NO: >100000 cycles
Maximum switching capacity (relay output)	NC: 240VAC, 6(1)A NO: 240VAC, 8(1.6)A, NC: 120VAC, 6(1)A NO: 120VAC, 8(1.6)A 24VDC, 4A
Electromagnetic compatibility	Acc.to EN 55014-1-2, EN 61000-3-2, EN 61000-3-3
Optical indicator	LED
Connection method	5-pole terminal
Install	35mm DIN rail clamp (EN50022)
Shell	UL94 V-0 light gray plastic
Size	77x60x43mm
Weight	About 0.20kg
Applicable temperature	0~+60°C (+32~+140°F) / -20~+80°C (-4~+176°F)
Protection level	IP20



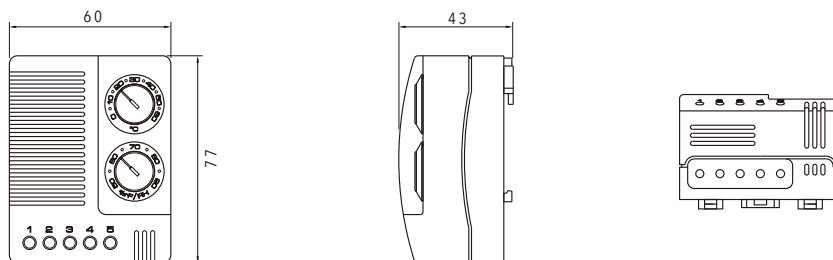
Model	Working voltage	Setting temperature	Setting Range
01230.0-00	230VAC, 50/60Hz	0~60 °C	50 ~ 90% RH
01230.9-01	120VAC, 50/60Hz	0~60 °C	50 ~ 90% RH

CONNECTION EXAMPLE

WIRING DIAGRAM



DIMENSION (mm)





External sensor



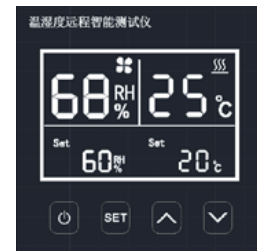
Overview

The product adopts MCU control system, respectively real-time temperature and humidity detection, and achieve real-time control, in order to ensure Verify that the temperature and humidity in the environment are in an appropriate range. Intelligent communication function, the temperature and humidity measurement value through the microprocessor 485 signal directly transmitted to the background computer, the user You can observe the environment of the remote control cabinet in real time.

1. Function description

The temperature and humidity values are displayed on a high definition LCD screen. Displaying diagram as below, I.E. (Figure A):

- Displaying humidity measurement by 2 digits, i.e.: 60%RH
- Displaying humidity set value: In the set state, 500ms/time, humidity set value is blinking, i.e.: 40%RH
- Displaying temperature measurement value by 2 digits, i.e.: 25°C
- Displaying temperature set value: In set state, 500ms/time, temperature set value is blinking: i.e.: 25°C
- Dehumidifying mode indication, i.e. (Figure B): When the equipment is in dehumidifying mode, it display the status by the dynamic fan
- Heating mode indication, i.e. (Figure C): when the equipment is in heating mode, it display the status by heating signal



(Figure A)



(Figure B)



(Figure C)



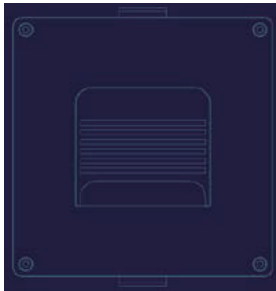
(Figure D)

SPECIFICATION

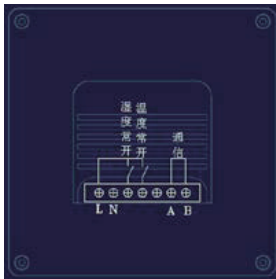
Supply voltage	AC220V ± 10%, other voltages can be customized
Humidity measurement range	20-90% RH (without condensation)
Humidity measurement accuracy	± 5% RH (tested at 25°C)
Temperature measurement range	5~60°C
Temperature measurement accuracy	± 1°C (tested at 25°C)
Humidity setting range	10-80% RH
Product Work Environment	Temperature 5~60°C, humidity 10~95% RH (no condensation)
Product storage environment	Temperature -10~40°C, humidity 10~90% RH (no condensation)
Humidification load size	Pure resistance load AC250V/10A, DC30V/5A
Power down memory	In the event of a power outage, the product's set parameters are automatically memorized.

1.2 Keys, as shown in Figure D

- "POWER" key: Press this key to switch the machine cycle.
- "SET" key: under the boot state, press the key, the product is in the humidity or temperature parameter setting State, when the humidity (or temperature) display digital tube flashes. No key pressed, 10 seconds later since Move out of setting state, display the current humidity measurement value.
- "Plus" key: in the setting state, press the key, according to each press, set value plus one, wetThe maximum set value of degree is 80%, and the maximum set value of temperature is 60
- No key pressed, 10 seconds later since Move to exit the setting state.
- "Minus" key: in the setting state, press the key, according to each press, set value minus one, wetThe minimum set value of degree is 10%, and the minimum set value of temperature is 5
- No key pressed, 10 seconds later since Move to exit the setting state.



(Figure 1)



(Figure 2)

2. Control the output

2.1 Humidity control output when the humidity measurement value is greater than the humidity set value, the output relay is closed and the dehumidification work begins when, the running indicator - fan rotation; when The humidity measurement value is less than (set value -5), stop dehumidify, and the running indicator is off. Humidity return difference is 5%rh to prevent load from opening frequently at zero cut-off point. Affect the service Life. During the initial power-on, the output delay is 3 seconds, that is, after 3 seconds, the output is wet after the Degree condition, the control dehumidification relay starts to operate and the display starts to run.

2.2 Temperature control output when the temperature measurement value is less than the humidity set value, the output relay closes and starts heating (dehumidification).work, at this time, the running indicator -- heating wire display; when the temperature measurement is greater than (set value+2), stop heating, and the running Indicator is off. The temperature return difference is 2 to prevent the load at zero boundary points open frequently, Affecting the service life. During the initial power-on, the output delay is 3 seconds, that is, 3 seconds later, When the humidity condition is satisfied, the control heating relay starts to operate and the display starts to run.

2.3 Power failure memory to ensure that user parameter settings remain unchanged after power failure, memory protection power is added. 2.4 communication part this product adopts 485 communication mode, temperature, humidity and running status parameters are uploaded to the remote calculation on board.

3. Overall dimensions and wiring drawings, as shown in Figure 1.

KTH082 remote intelligent monitor for temperature and humidity www.cnlinkwell.com

3.1 The installation mode of this product is embedded, and the opening size is 82.5*82.5(unit: mm).

3.2 Schematic diagram of wiring terminals on the back of controller, as shown in Figure 2

- (1) AC220V/50Hz: Connect terminals L and N;
- (2) Load terminal: normally open point heater, normally closed point fan;
- (3) 485 communication terminal: Connect A and B.

Performance:

These heaters are used in enclosures where damage from condensation must be prevented or where the temperature may not fall below a minimum value. The aluminium profile heater body design has a chimney effect and distributes the heat evenly. The pressure clamp connectors save time and simplify installation.

- Pressure clamp connectors
- Dynamic heating up
- Wide voltage range
- Temperature limiting
- Energy saving
- Clip fixing, Quick installation



HG140-15W



HG140-150W

SPECIFICATION

Operating voltage	110-250V AC/DC
Thermal element	PTC thermistor (PTC)
Heater body	Aluminium profile, anodised black
Connecting type	Push-in terminal
Connecting case	UL94 V-0, black plastic
Fitting position	Vertical
Operating	-45 °C ~ 70 °C
Protection	IP20
Certificate	CE



Heater burn protective cover (optional)



(15W-75W) Universal

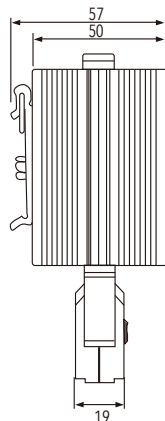
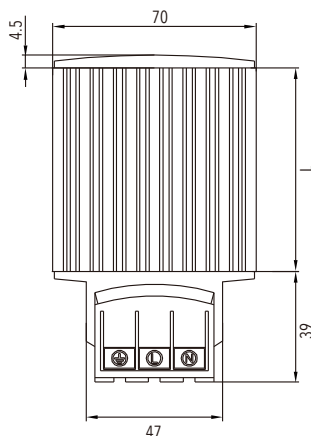


(100W-150W) Universal

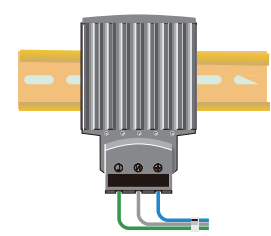
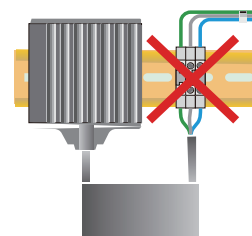
Operating voltage below 140V AC/DC will reduce the heat output by about 10%

Model	Heat output (W) 20°C ambient temperature	Maximum allowable current (A)	L (mm)	Weight (kg)
HG140-15W	15W	1.5	70	0.25
HG140-30W	30W	2.5	70	0.25
HG140-45W	45W	3.0	70	0.25
HG140-60W	60W	3.5	70	0.25
HG140-75W	75W	4.0	70	0.25
HG140-100W	100W	4.5	140	0.40
HG140-150W	150W	9.0	140	0.40

DIMENSION (mm)



WIRING DIAGRAM



Performance:

These heaters are used in enclosures where damage from condensation must be prevented or where the temperature may not fall below a minimum value. The aluminium profile heater body design has a chimney effect and distributes the heat evenly. The pressure clamp connectors save time and simplify installation.

- Screw terminal connector
- Dynamic heating up
- Wide voltage range
- Temperature limiting
- With indicator showing on/off
- Energy saving
- Clip fixing
- Quick installation



LK 140-15W



LK 140-150W

SPECIFICATION

Operating voltage	110-250VAC/DC
Thermal element	PTC thermistor (PTC)
Heater body	Aluminium profile, anodised silver
Connecting type	Screw terminal
Connecting case	UL94 V-0, black plastic
Fitting position	Vertical
Operating	-45 °C ~ 70 °C
Protection	IP20
Certificate	CE



Heater burn protective cover (optional)



(15W-75W) Universal

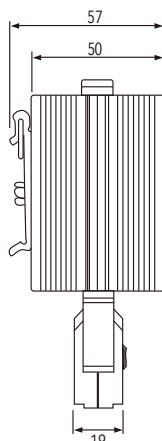
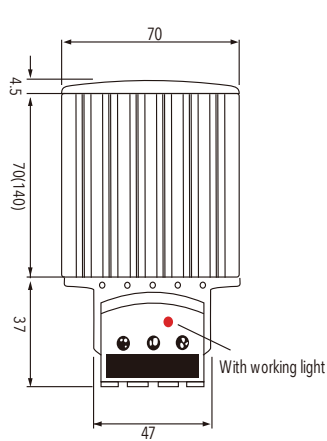


(100W-150W) Universal

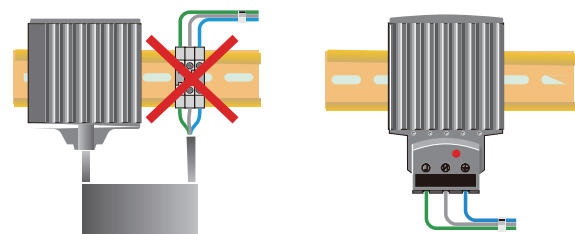
Operating voltage below 140V AC/DC will reduce the heat output by about 10%

Model	Heat output (W) 20°C ambient temperature	Maximum allowable current (A)	L (mm)	Weight (kg)
LK140-15W	15W	1.5	70	0.25
LK140-30W	30W	2.5	70	0.25
LK140-45W	45W	3.0	70	0.25
LK140-60W	60W	3.5	70	0.25
LK140-75W	75W	4.0	70	0.25
LK140-100W	100W	4.5	140	0.40
LK140-150W	150W	9.0	140	0.40

DIMENSION (mm)



WIRING DIAGRAM



Performance:

- Adopt ceramic semiconductor PTC heating element;
- Aluminum alloy heat sink with high thermal conductivity;
- Modular heaters specially designed to accommodate limited installation space,
- 49/70/100mm three widths, uniform thickness, length can be customized;
- Customizable power and table temperature;
- Standard configuration of high temperature resistant silicone cable length 2 meters;
- Each face is designed with a structure for installation
- 35mm DIN rail mounting;

- Wide voltage(18~36V/110~240V AC/DC)
- Dynamic temperature rise
- Constant surface temperature
- High thermal efficiency
- Long life
- High safety factor



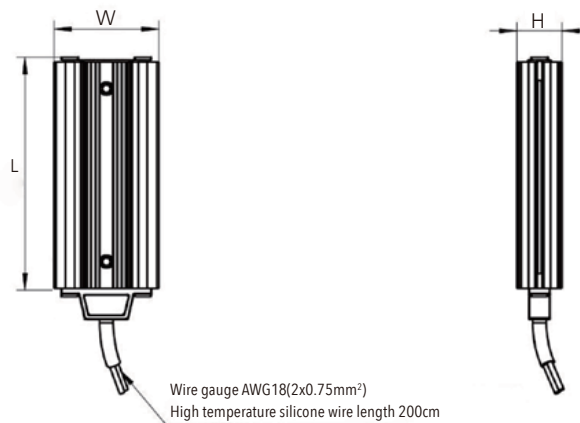
SPECIFICATION

Operating voltage	AC/DC 110~240V (Min. 110V, Max. 265V) AC/DC 18~36V (Min. 16V, Max. 40V)
Heating element	Ceramic semiconductor PTC
Heat sink material	Aluminium alloy
Connection mode	Standard configuration high temperature resistant silicone cable 2×0.5mm ² length 2 meters
Installation mode	Surface screw mounting / 35mm DIN rail mounting (additional accessories)
Dielectric withstand voltage	1500VAC 50/60Hz time 1 minute
Insulation resistance	100MΩ @500VDC
Ambient humidity	≤90%RH
Ambient temperature	-45°C~+70°C(storage -45°C~+120°C) no condensation, no icing
Protection/safety level	IP20



Model	Rated voltage	Heat sink size	Length	Power	Weight
	VAC/DC	mm	mm	W	g
LKP805-2050	110~240	W49×H21	110	50	277
LKP805-4015	18~36				
LKP807-2075	110~240	W70×H20	130	90	375
LKP807-4075	18~36				
LKP807-2100	110~240	W70×H20	160	120	435
LKP807-4100	18~36				
LKP810-2120	110~240	W49×H20	160	150	585
LKP810-4120	18~36				
LKP810-2150	110~240	W49×H20	200	165	685
LKP810-4150	18~36				

DIMENSION (mm)



Performance:

- Adopt ceramic semiconductor PTC heating element;
- Aluminum alloy heat sink with high thermal conductivity;
- Ultra-thin, specially designed to fit in limited Spaces,
- Only 8.2mm thickness, 60/100mm two widths, length can be customized
- Customizable power and table temperature
- Wide operating voltage 18~36V/110~240V AC/DC universal
- Surface screw mounting

- Wide voltage(18~36V/110~240V AC/DC)
- High thermal efficiency
- Dynamic temperature rise
- Long life
- Constant surface temperature
- High safety factor

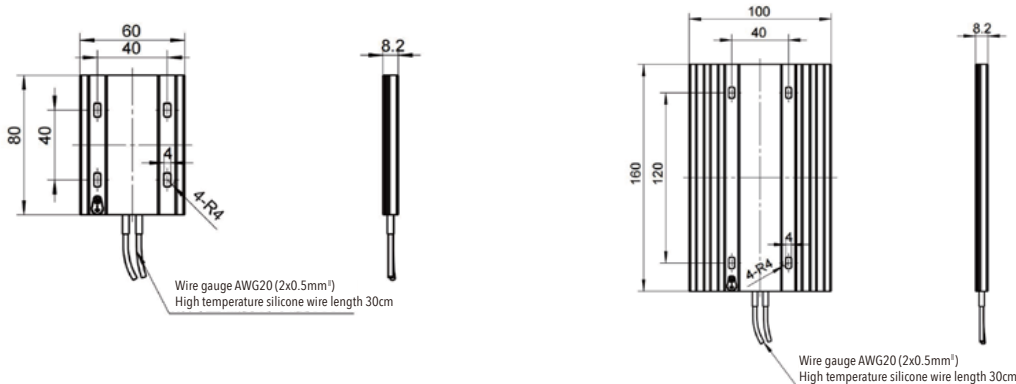


SPECIFICATION

Operating voltage	AC/DC 110~240V (Min. 110V, Max. 265V) AC/DC 18~36V (Min. 16V, Max. 40V)
Heating element	Ceramic semiconductor PTC
Heat sink material	Aluminium alloy
Connection mode	Wire gauge AWG20(2x0.5mm ²)High temperature resistant silicone wire length 300mm
Installation mode	Surface screw mounting / 35mm DIN rail mounting (additional accessories)
Dielectric withstand voltage	1500VAC 50/60Hz time 1 minute
Insulation resistance	100MΩ @500VDC
Ambient humidity	≤90%RH
Ambient temperature	-45°C~+70°C(storage -45°C~+120°C) no condensation, no icing
Protection/safety level	IP20

Model	Rated voltage	Power	Surface temperature	Heat sink size	Length	Weight
	VAC/DC	W	°C	mm	mm	g
LKP506-2008	110~240	8	55	W60×H8	100	90
LKP506-2017	110~240	17	90			
LKP506-2022	110~240	22	115			
LKP506-4005	18~36	5	45			
LKP506-4016	18~36	16	95			
LKP506-4038	18~36	38	175			
LKP510-2031	110~240	31	90	W100×H8	160	215
LKP510-2043	110~240	43	110			
LKP510-2055	110~240	55	135			
LKP510-4010	18~36	10	45			
LKP510-4029	18~36	29	85			
LKP510-4069	18~36	69	160			

DIMENSION (mm)



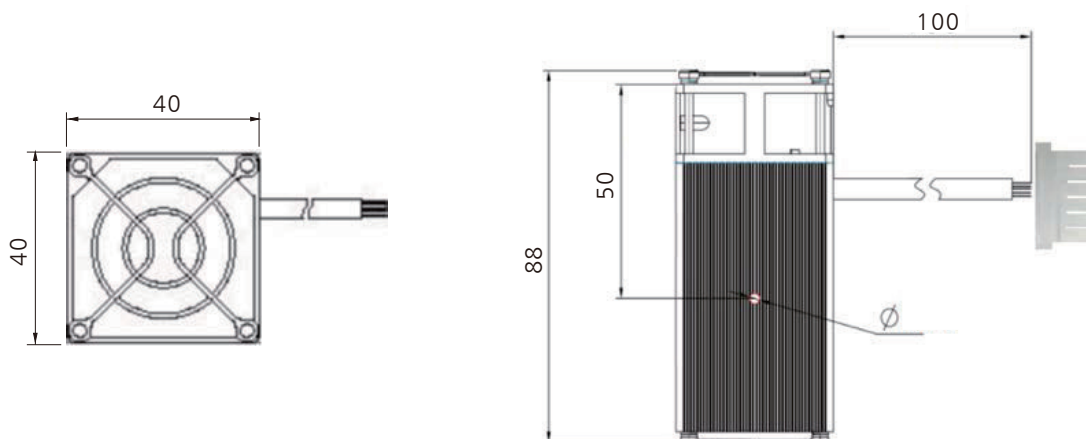
- Compact design
- Clip fixing
- Dynamic heating-up
- Over-heating cut-off
- Long service life
- Simple installation



SPECIFICATION

Heating element	PTC Resistor
Input	AC220V 50/60Hz 75W
Dielectric strength	Input 1500V/0.5mA/5s
Safety protection	Fan over-heat cut-off
Axial Fan	13.8/17.4m3/h (50/60Hz)
Service Life	50000H at25°C
Heater	AC220V
Axial Fan	DC24V
Cable Holder (black)	UL94V-0 plastic
Mounting	35mm DIN rail (vertical)
Operation Temperature	-45 to+ 70°C
Protection class	IP20

DIMENSION (mm)



Performance:

Compact fan heater prevents formation of condensation. The integrated high performance axial fan provides forced air circulation and so guarantees an even temperature in enclosures. With internal terminal connector.

- Compact Design
- Clip fixing
- Long service life
- Maintenance free
- Temperature safety cut-out



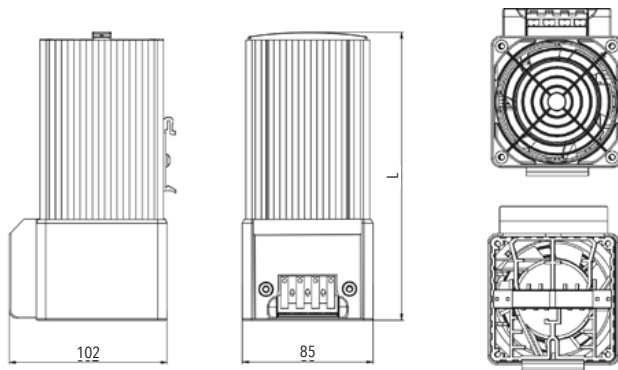
SPECIFICATION

Operating voltage	230VAC 50/60Hz
Heating element	PTC resistor, self regulating and temperature limiting
Temperature safety cut-out	To protect against overheating in case of fan failure
Heater body	Anodised extruded aluminium profile
Surface temperature	Max.75°C(400W)
Axial fan	Airflow,free flow AC:45m³/h50Hz or 54m³/h(60Hz)
Mean life	50 000h at 25C
Connection	Push-in terminal
Connection casing	Plastic according to UL94 V-0,black
Mounting	Clip for 35mm DIN rail, EN 50022
Fitting position	Vertical
Operating temperature	-45-+70°C
Protection class	IP20

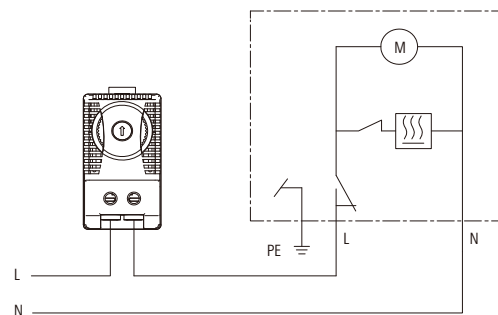


Model	Operating voltage	Heat production	Width/height/depth	Weight (kg)
LK046-100W	230VAC, 50/60HZ	100W	85x130x85mm	0.77kg
LK046-150W	230VAC, 50/60HZ	150W	85x130x85mm	0.77kg
LK046-200W	230VAC, 50/60HZ	200W	85x130x85mm	0.77kg
LK046-250W	230VAC, 50/60HZ	250W	85x183x85mm	1.10kg
LK046-400W	230VAC, 50/60HZ	400W	85x216x85mm	1.40kg

DIMENSION (mm)



WIRING DIAGRAM



Performance:

These heaters are used in enclosures where damage from condensation must be prevented or where the temperature may not fall below a minimum value. The aluminium profile heater body design has a chimney effect and distributes the heat evenly. The pressure clamp connectors save time and simplify installation.

- Pressure clamp connectors
- Dynamic heating up
- Wide voltage range
- Temperature limiting
- Energy saving
- Clip fixing, Quick installation



SPECIFICATION

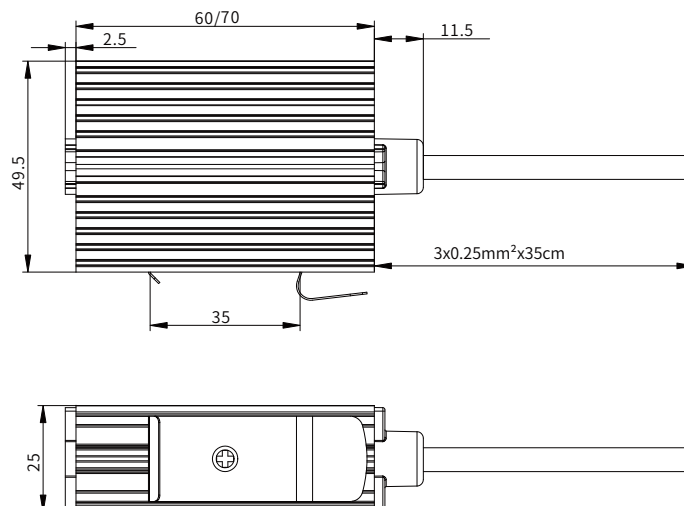
Operating voltage	110-250V AC/DC
Thermal element	PTC thermistor (PTC)
Heater body	Aluminium profile, anodised silver
Connecting type	Lead wire
Connecting case	UL94 V-0, black plastic
Fitting position	Vertical
Operating	-45 °C ~ 70 °C
Protection	IP44
Certificate	CE



Operating voltage below 140V AC/DC will reduce the heat output by about 10%

Model	Heating capacity	Maximum current (A)	L (mm)	Weight (kg)
LK047-20W	20W	1.5	60	0.2
LK047-30W	30W	2.5	70	0.21

DIMENSION (mm)



Performance:

Compact high-performance fan heater prevents formation of condensation and frost and provides an evenly distributed interior air temperature in enclosures with electric/electronic components. This fan heater is available without fan (HV 031) and with fan (HVL 031).

- Compact
- Flat design
- High air through-flow
- Clip fixing
- Temperature safety cut-out



HVL031-100W



HVL031-200W



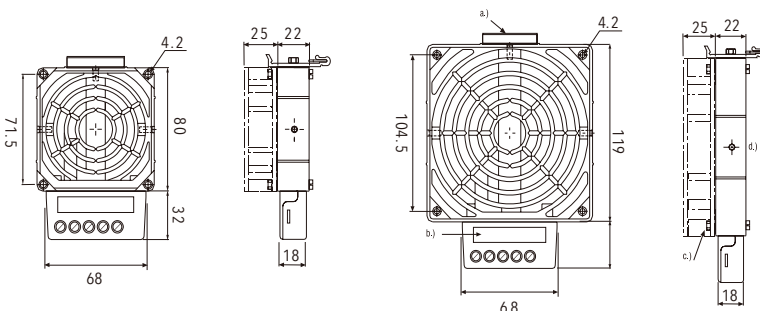
SPECIFICATION

HVL 031/HV 031	Heater without fan/ Heater with fan
Heating element	High performance cartridge
Temperature safety cut-out	To protect against overheating in case of fan failure
Heater body	Die-cast aluminium
Connection	Screw terminal
Connection casing	Plastic according to UL94 V-0, BLACK
Mounting	Clip for 35mm DIN rail
Fitting position	Vertical
Operating/ temperature	-45-+70°C
Protection type/Protection class	IP20
HVL 031	Heater with fan
Service life	50,000h at 25°C
Connection(axial fan)	2-pole screw connector 2.5mm ² (L2/N2)

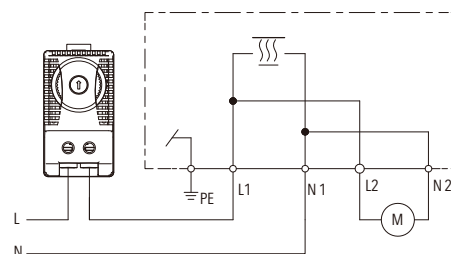
Art.no.HVL031 (with fan)	Heating wattage	Air flow rate	Size	Weight(kg)
230VAC,50/60Hz		Free Blow		
HVL031-100W	100W	35m ³ /h	80X112X47mm	0.60kg
HVL031-150W	150W	35m ³ /h	80X112X47mm	0.60kg
HVL031-200W	200W	108m ³ /h	119X151X47mm	0.90kg
HVL031-300W	300W	108m ³ /h	119X151X47mm	0.90kg
HVL031-400W	400W	108m ³ /h	119X151X47mm	0.90kg

Art.no.HV031 (W/O fan)	Heating wattage	Size	Weight(kg)
230VAC,50/60Hz			
HV031-100W	100W	80X112X47mm	0.40kg
HV031-150W	150W	80X112X47mm	0.40kg
HV031-200W	200W	119X151X47mm	0.50kg
HV031-300W	300W	119X151X47mm	0.50kg
HV031-400W	400W	119X151X47mm	0.50kg

DIMENSION (mm)



WIRING DIAGRAM



Performance:

Compact high-performance fan heater prevents formation of condensation and frost and provides an evenly distributed interior air temperature in enclosures with electric components.

- Compact design
- Clip fixing
- Long service life
- Maintenance free

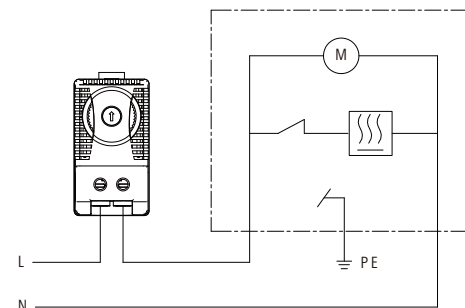
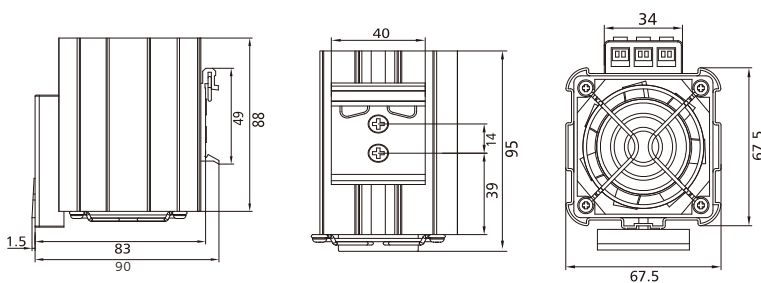


SPECIFICATION

Model	LK143			
Rated output voltage (+5/-10%) at 10°C	150W	300W	400W	500W
Input voltage	110-240VAC			
Flat ratio	50-60Hz			
Maximum surface temperature (ambient temperature 25°C)	74°C			
Link method (cage connection)	Push-in			
Operating/storage temperature	-40~70°C(RH < 20%)			
Air flow rate (zero static pressure)	30m³/hr (18 CFM)			
Weight	300g			
Protection	IP20			
Mounting	DIN 35 Vertical			

DIMENSION (mm)

WIRING DIAGRAM



Performance:

Compact high-performance fan heater prevents formation of condensation and frost and provides an evenly distributed interior air temperature in enclosures with electric components.

- Switchable power levels
- Push-in terminal connection
- Compact design
- Clip fixing
- Long service life

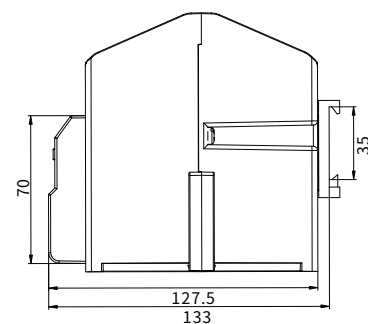
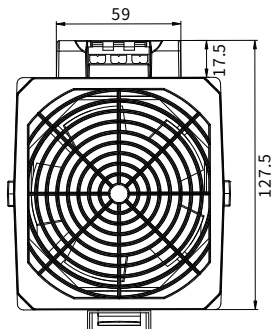
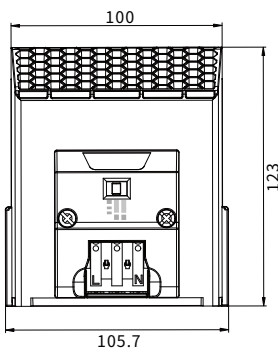
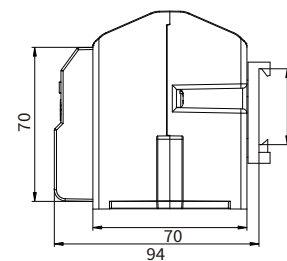
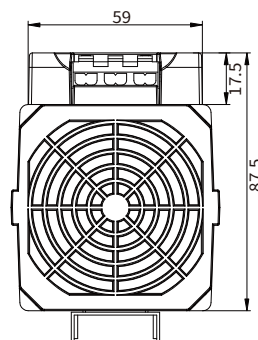
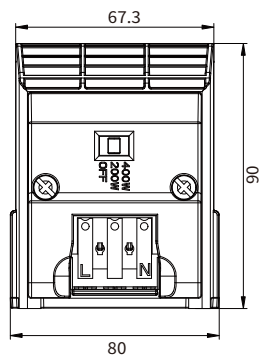


SPECIFICATION

Model	LK145					
Power (switchable)	200/300W	200/400W	300/400W	500/800W	900/1200W	1500/1800W
Fan Air Flow	30 m³/h			50 m³/h	150 m³/h	150 m³/h
Rated Voltage	110-240VAC					
Frequency	50/60 Hz					
Housing Material	Plastic UL94-V0					
Connection	Push in terminal					
Working Temperature	-40-70°C					
Protection	IP20					
Mounting	DIN 35 Vertical					



DIMENSION (mm)



Performance:

Compact fan heater prevents formation of condensation. The integrated high performance axial fan provides forced air circulation and so guarantees an even temperature in enclosure.

- Compact design
- Long service life
- Maintenance free
- Built in high air flow axial fan
- PTC resistor, self regulating
- Guide rail installation, one card is closed

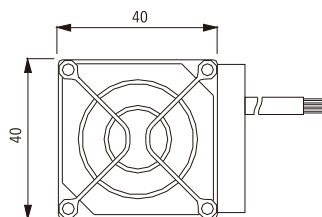


SPECIFICATION

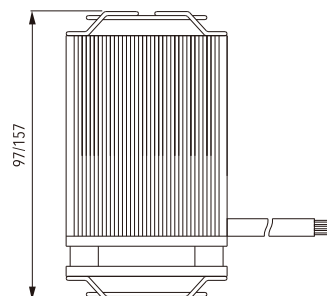
Feature	Unit	KHL120075.0-00	KHL120100.0-00	KHL120150.0-00	KHL120230.0-00	KHL120300.0-00	
Heating capacity*	W	75	100	150	230	300	
Voltage	V/Hz	110-250V AC/DC-Fan 24V AC/DC					
Maximum current	A	4	4	6	6	8	
Heating element	-	PTC resistor, self regulating					
Radiator	-	Extruded aluminium profile, anodized					
	-	Ball bearing, service life 50000 h at 25°C (77°F) Fair flow rate 11m³/h, free flow					
Axial flow fan		Air flow rate 11m³/h, free flow					Air flow rate 33m³/h Free flow
Electrical connections	-	Silicone cable, 4x0.5mm², length 400mm					
Protection level iec	-	Class I					
Protection level en60529	-	IP20					
Operating temperature	°C (°F)	-20~+70 (-4~+158)					
Storage temperature	°C (°F)	-25~+70 (-13~+158)					
Card slot installation	-	Clip for mounting on DIN rail 35mm EN50022					
Installation position	-	Best performance in vertical installation					
Size h x w x d	mm	97x40x40	97x40x40	132x40x40	142x40x40	157x40x40	
Cable length	mm	400	400	400	400	400	
Weight (packaging)	kg	0.20(0.21)	0.20(0.21)	0.26(0.28)	0.28(0.30)	0.40(0.42)	
Certificate	-	CE					

*Environmental temperature 20°C (68 °)

DIMENSION (mm)



WIRING DIAGRAM



- Compact design
- Clip fixing
- Temperature safety cut-out
- Long service life
- Maintenance free



Performance

Compact fan heater prevents formation of condensation. The integrated high performance axial fan provides forced air circulation and so guarantees an even temperature in enclosure.

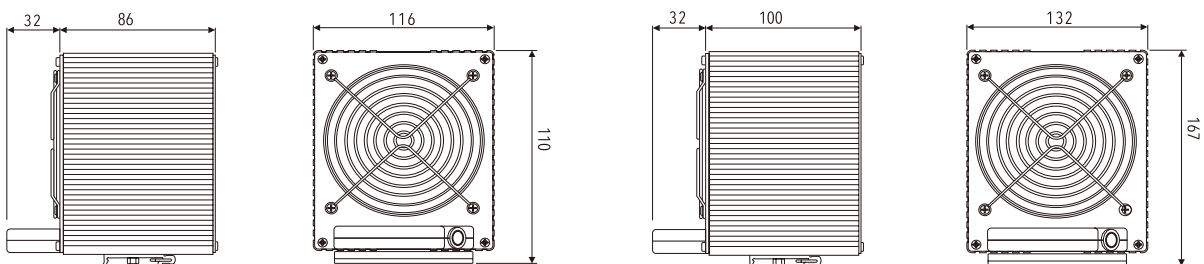


SPECIFICATION

Heating element	PTC
Temperature safety cut-out	To protect against overheating in case of fan failure
Heater body	Anodised extruded aluminium profile
Axial fan, ball bearing	Airflow, free flow, air volume: 35m ³ /h, service life: 50000h at 25°C
Connection	5-pole screw connector 2.5mm ²
Mounting	Clip for 35mm din rail
Fitting position	Vertical
Operating temperature	-25~+70°C
Storage temperature	-25~+70°C
Protection class	IP20

Model No.	Heating capacity	Dimensions	Weight
230vac, 50/60Hz			
150.0-00	150W	110x116x118mm	0.6kg
200.0-00	200W	110x116x118mm	0.6kg
250.0-00	250W	110x116x118mm	0.6kg
300.0-00	300W	110x116x118mm	0.6kg
400.0-00	400W	110x116x118mm	0.6kg
650.0-00	650W	110x116x129mm	1.1kg
800.0-00	800W	167x132x132mm	1.5kg
1000.0-00	1000W	167x132x132mm	1.5kg
1200.0-00	1200W	167x132x132mm	1.5kg
1500.0-00	1500W	167x132x132mm	1.5kg

DIMENSION (mm)



KHP300(B)

FAN HEATER

- Compact
- DesignClip fixing
- Temperature safety cut-out
- Long service life
- Maintenance free

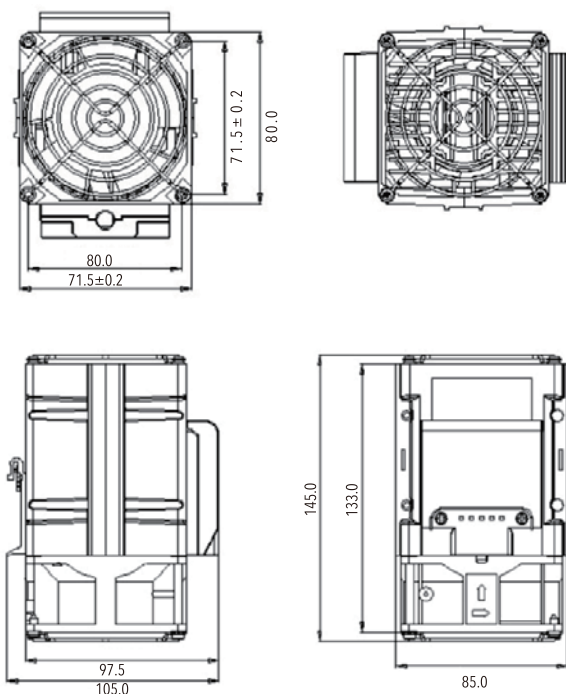


IP20 CE -4 ~ +70

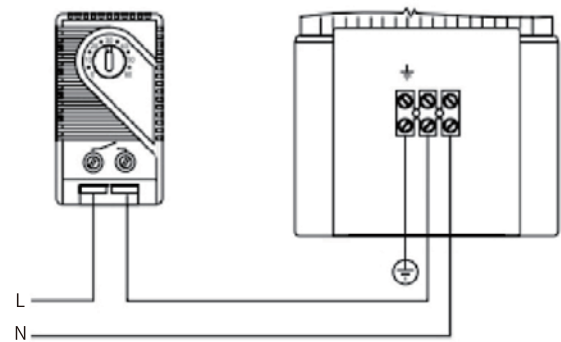
SPECIFICATION

KHP300	With Fan
Heating element	PTC
Input voltage, frequency, power	AC 230V 50/60Hz 300-350W
Insulating property	2000V/0.5mA/5s
Surface Temperature	60°C (at 30°C room temperature)
Axial fan, ball bearing	Air flow: AC: 24m ³ /h (50Hz) or 31m ³ /h (60Hz)
RPM	2400
Heater body	Aluminium alloy castings+PPS profile
Cooling method	Natural cooling
Connection Casing	Plastic according to UL94V-0, black
Mounting	Clip for 35mm DIN rail
Fitting position	Vertical
Operating/Storage temperature	-4~+70°C
Protection class	IP20
Mean life	50000h at 25°C

DIMENSION (mm)



WIRING DIAGRAM



The product is composed of high-quality nickel-chromium alloy heat pipe, die-casting aluminum structure heat sink, high-performance axial fan, and temperature control switch. The electric heat pipe is placed in the center of the radiator body. The temperature control switch is near the electric heat pipe and hidden in the radiator body. The axial flow fan is close to the loose body.



IP20

CE

-40 +70
°C

SPECIFICATION

LKHB 300	With fan
Heating element	High performance core
Input voltage, frequency, power	AC 230V 50/60HZ 300W
Insulating property	2000V/0.5mA/5s
Temperature safety cut-out	to protect against overheating in case of fan failure
Heating body	Die-cast aluminium (glass bead blasted)
Speed	2700Rpm
Mounting	Use M6 screws for fixation
Connection	WAGO terminal, Standard male and female
Fitting position	Vertical
Operating/storage temperature	-40~+70°C
Protection class	IP20
Mean life	50000h at 25°C
Cooling mode	Automatic cooling

Connection Example

WIRING DIAGRAM

