



Catalog **6**

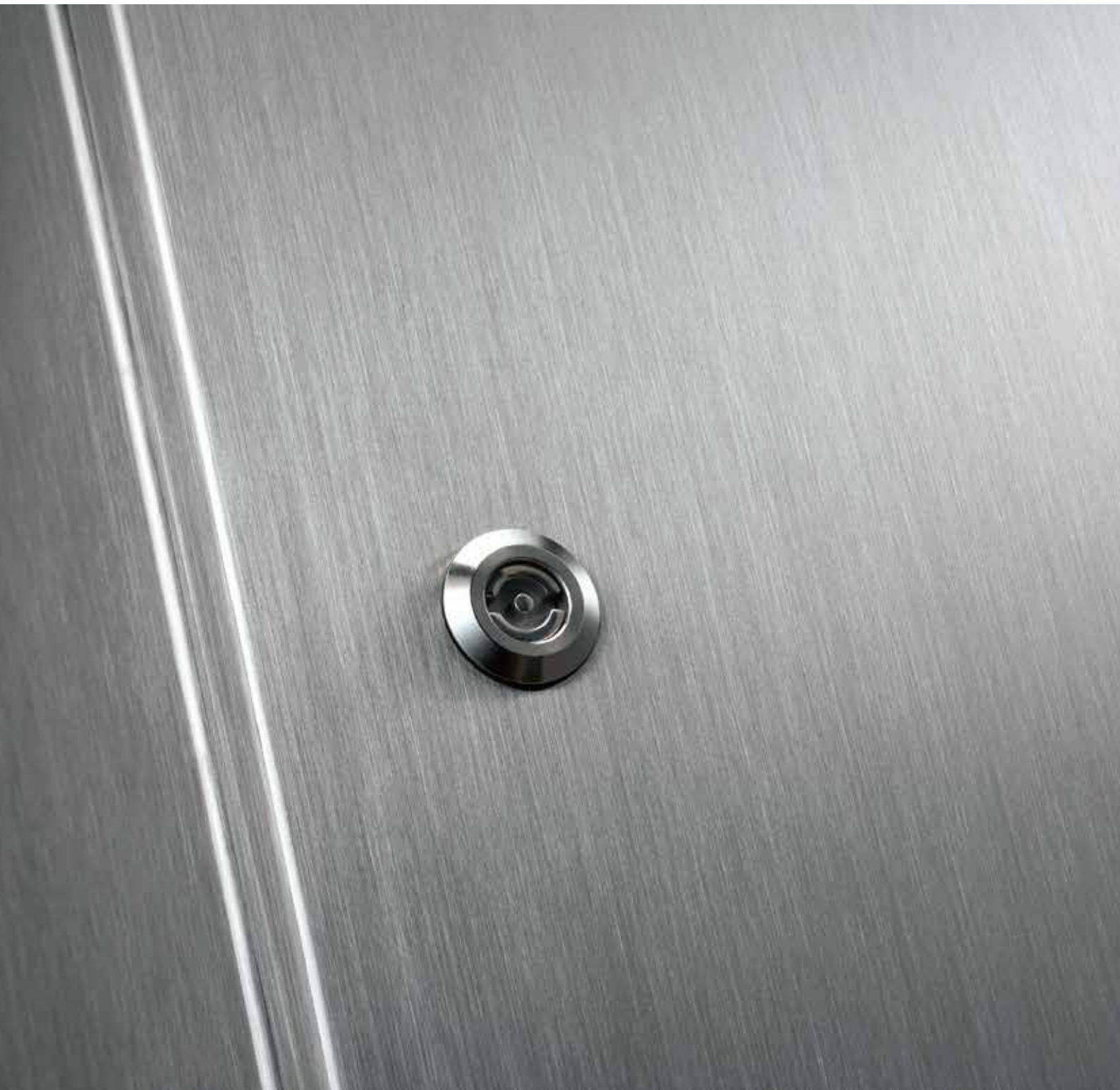


## Electrical and Electronic Enclosures

Mild Steel, Stainless Steel and Aluminum



**NONSTONE**  
*BUILDING TOMORROW, TODAY*



## **IP66 Stainless Steel Locks**

Good corrosion resistance in most environment.

For Food, Packaging, Beverage, Electronic, etc. Industries  
and **Outdoor**, High-Corrosive Environment.

**FTSS Series** standard, **Optional Accessory for NSS Series**



Building Tomorrow, Today

FTSS 403020



No.90-1,Pei-shih-Chou, Ming-Ho Vil.,Shan-Shang Dist.,  
Tainan City 74342 TAIWAN  
TEL : +886 6 5782799 FAX : +886 6 5783077  
[nonstone.com](http://nonstone.com)

# NSS Series

Stainless Steel Enclosure  
IP 66



- IP66 , IEC60529
- RoHS , Directive 2002/95/EC
- REACH
- Surface Brushed Finish
- Foam-in-place Gasket

[nonstone.com](http://nonstone.com)

T E L : +886 6 5782799

F A X : +886 6 5783077

E-mail: [info@nonstone.com.tw](mailto:info@nonstone.com.tw)





## NS Series

### Steel Enclosure

### IP 66

- IP66 , IEC60529
- RoHS , Directive 2002/95/EC
- REACH
- RAL 7032 Powder Coating
- Foam-in-place Gasket



[nonstone.com](http://nonstone.com)

T E L : +886 6 5782799

F A X : +886 6 5783077

E-mail: [info@nonstone.com.tw](mailto:info@nonstone.com.tw)

**Industrial  
Enclosures**



**BUILDING TOMORROW, TOGETHER**

IP55, IP66, IP69K ALL PROTECTION  
ALUMINIUM, SUS304 and SUS316 ALL AVAILABLE

**CO Series**



**WATER & DUST TIGHT**  
**TOP DOOR WITH GAS SPRING CYLINDER FOR EASY LIFTING**  
**SUS 304 & SUS 316 AVAILABLE**

[www.nonstone.com.tw](http://www.nonstone.com.tw)

**NONSTONE** **NS**





## Why choose Nonstone?

◆ **Nonstone offer complete lines of enclosures**

Nonstone offers complete lines of modular, free standing and wall mount enclosures.

◆ **State-of-the-art FIPG technology**

All enclosures feature German seamless foam-in-place gasket (FIPG) ensures every enclosure meet watertight and dust tight standards.

◆ **Nonstone work with customers**

Right enclosures can improve efficient and speed. Nonstone work with customers modify and develop enclosures meet your special needs.

ISO 9001 、IP66 、IP65 、CERTIFICATIES



ISO 9001





ME Series	Modular Enclosures	3
CO Series	One-Piece Consoles	31
FS Series	Free Standing Enclosures	33
AL Series	Wall Mount Enclosures	37
NS Series	Wall Mount Enclosures	40
NSW Series	Window Enclosures	45
ES Series	Wall Mount Enclosure with Gland Plate	48
FT Series	Wall Mount Enclosures with Gland Plate	53
R Series	Rain Canopy Enclosures	57
TB Series	Terminal Box	61
NSS Series	Stainless Steel Enclosures	64
NSSW Series	Stainless Steel Window Enclosures	69
FTSS Series	Stainless Steel Enclosures	72
FSS Series	Stainless Steel Enclosures	77
TBSS Series	Stainless Steel Terminal Box	81
Accessories		85

# INDEX

## NONSTONE



**ME Series:  
Modular Enclosures**

P.3



**CO Series:  
One-Piece Consoles**

P.31



**FS Series:  
Free Standing  
Enclosures**

P.33



**AL Series:  
Wall Mount  
Enclosures**

P.37



**NS Series:  
Wall Mount Enclosures**

P.40



**NSW Series:  
Window Enclosures**

P.45



**ES Series:  
Wall Mount Enclosure  
with Gland Plate**

P.48



**FT Series:  
Wall Mount Enclosures  
with Gland Plate**

P.53



**R Series:  
Rain Canopy Enclosures**

P.57



**TB Series:  
Terminal Box**

P.61



**NSS Series:  
Stainless Steel  
Enclosures**

P.64



**NSSW Series:  
Stainless Steel  
Window Enclosures**

P.69



**FTSS Series:  
Stainless Steel  
Enclosures**

P.72



**FSS Series:  
Stainless Steel  
Enclosures**

P.77



**TBSS Series:  
Stainless Steel  
Terminal Box**

P.81



**Accessories**

P.85

# Wall Mount Enclosures

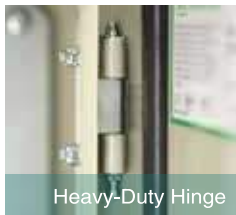


IP66 - IP69K

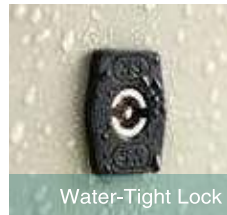
**QUALITY | INNOVATION**



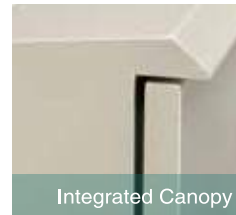
Continuous Weld



Heavy-Duty Hinge



Water-Tight Lock



Integrated Canopy

# MESS Stainless Steel



- SUS 304 & SUS 316 AVAILABLE
- HIGH RESISTANCE TO CORROSION

# ME Series Modular Enclosures



Food, petroleum chemical, electronics.  
Industry and other related industries.



## ME Series Modular Enclosures

### IP55



#### **C**onstruction

- Solid covers, sides and tops use 1.5mm-2.0mm steel
- Doors are use 1.5mm-2.0mm steel
- Mounting plate use 2.0mm or 3.0mm galvanized steel
- High quality automatic seamless foam-in-place gasket
- Heavy-duty hinges
- Grounding studs on body and door
- Key Lock with Swing Handle

#### **F**inish

- RAL 7032 power coating, RAL 7035 and other color available
- Mounting plate in galvanized finish



#### **I**ndustry Standard

##### ME Series

- IP55, IEC 60529
- RoHS Compliant
- CE

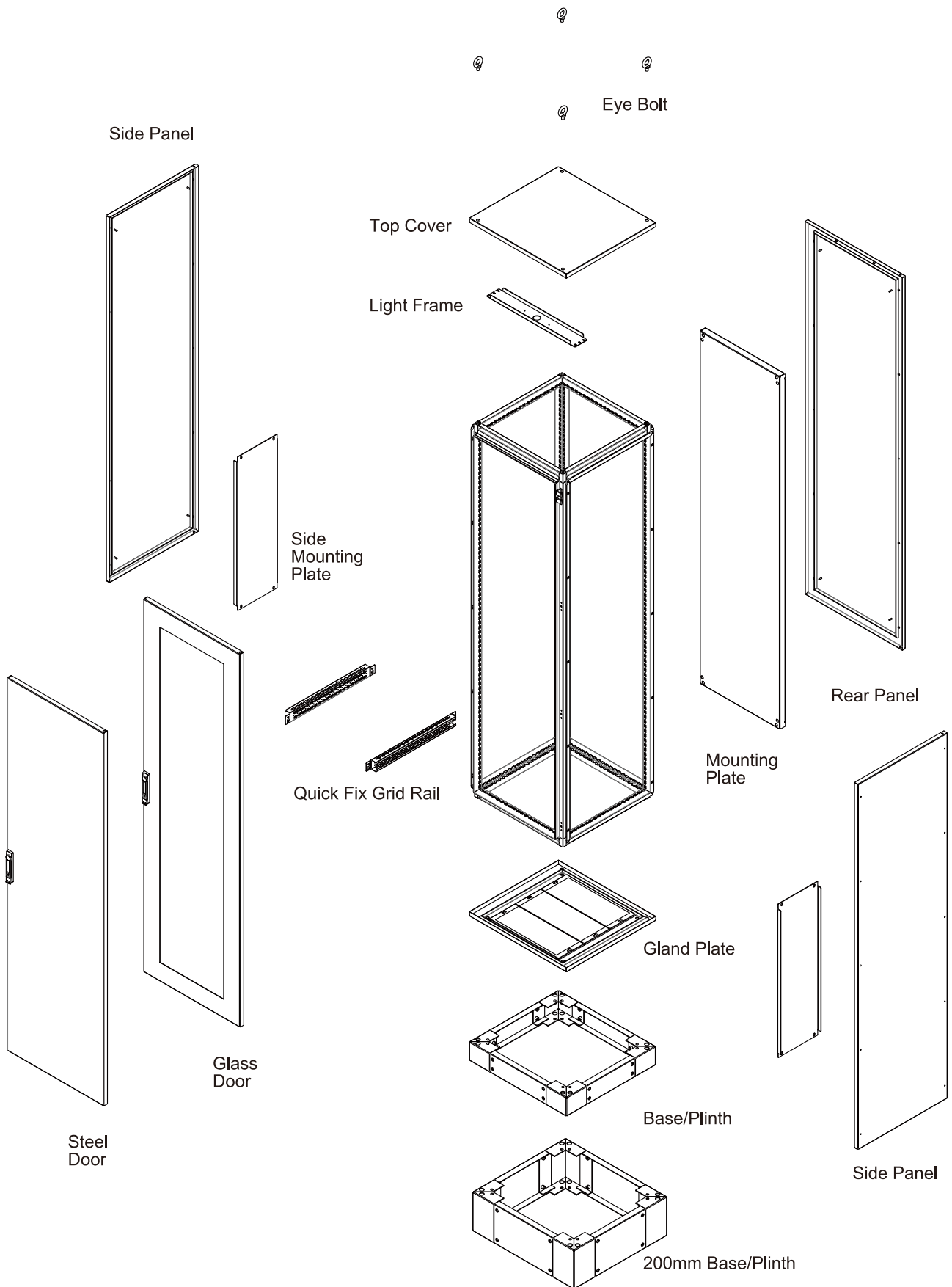
#### **C**ustom Enclosures

Nonstone offers high quality custom enclosures and modification services at competitive price. For information, please contact your NonStone representative.

- Other finish color and textures
- Cutouts and special holes in body and doors.
- Custom doors
- Custom body
- Special or custom accessories

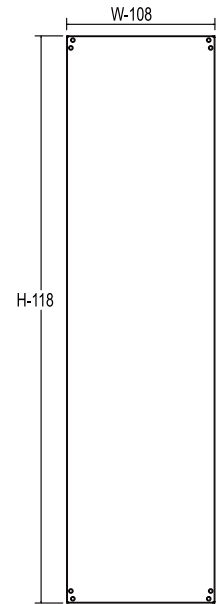
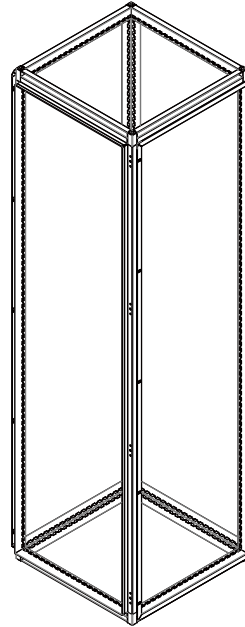
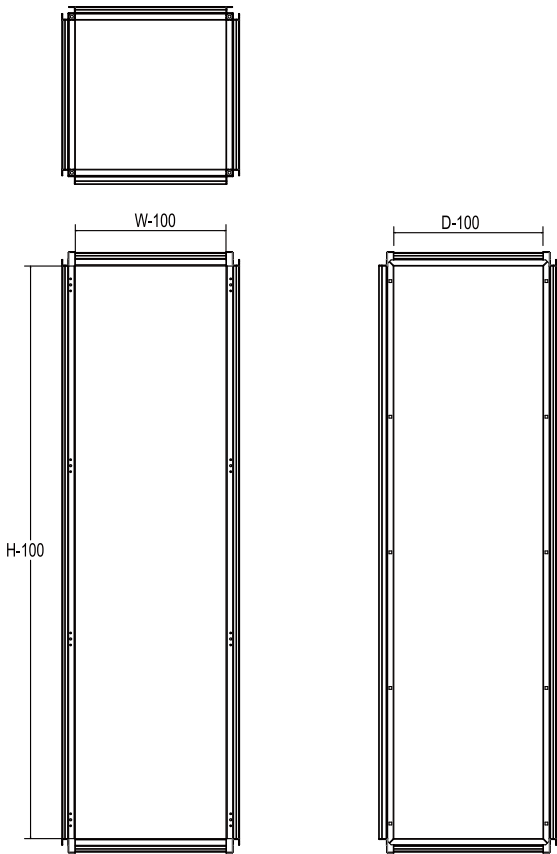
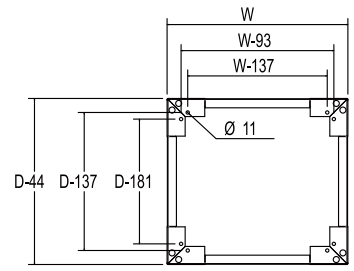


# ME Series Modular Enclosures

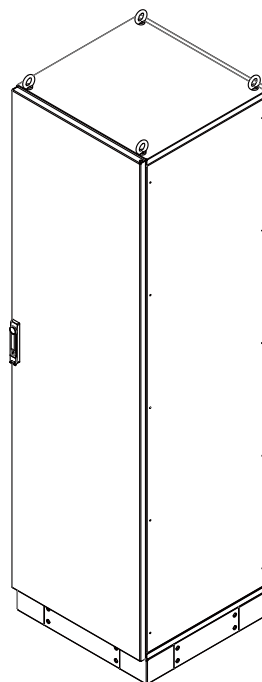
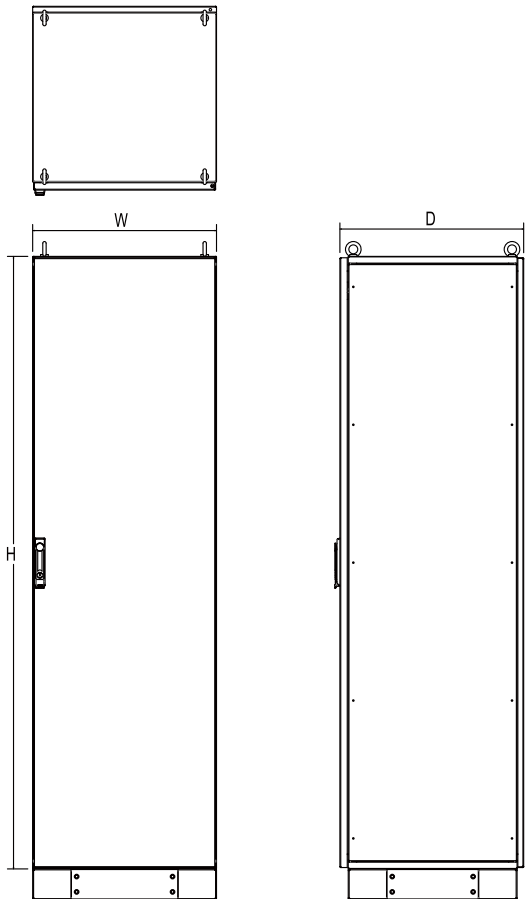


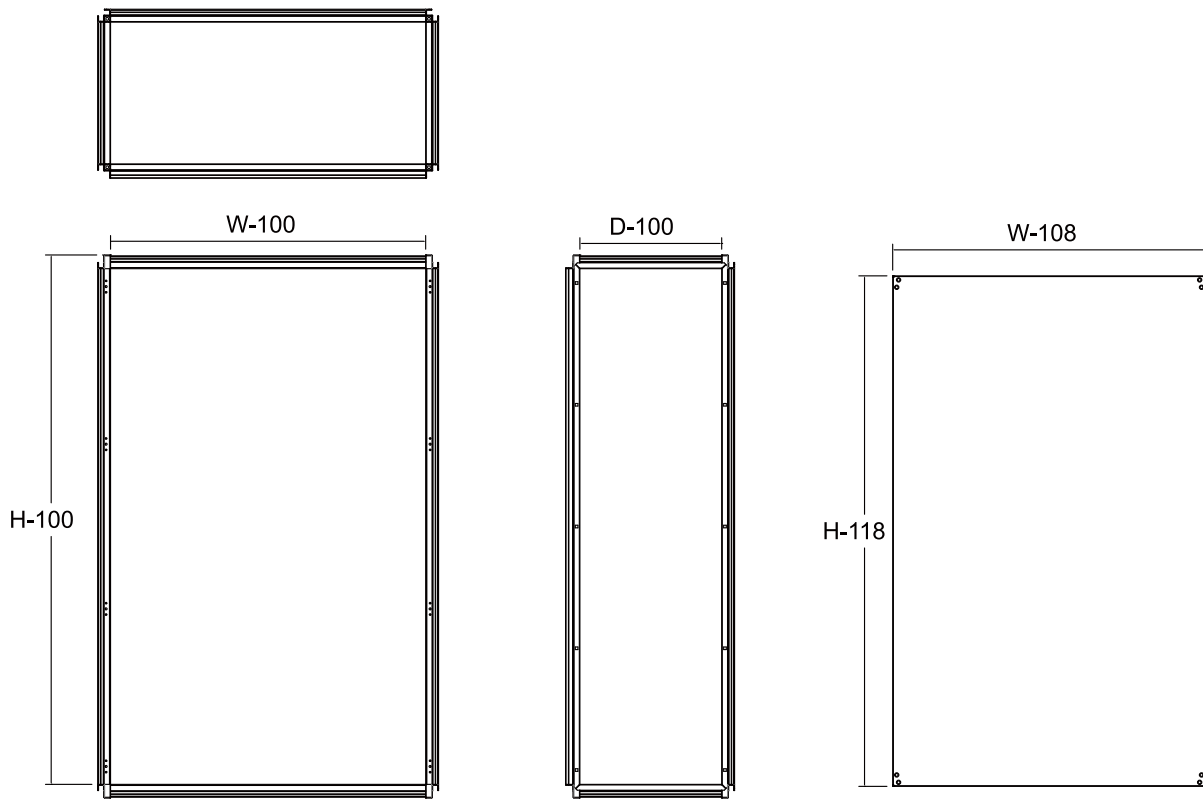


### ME Frame

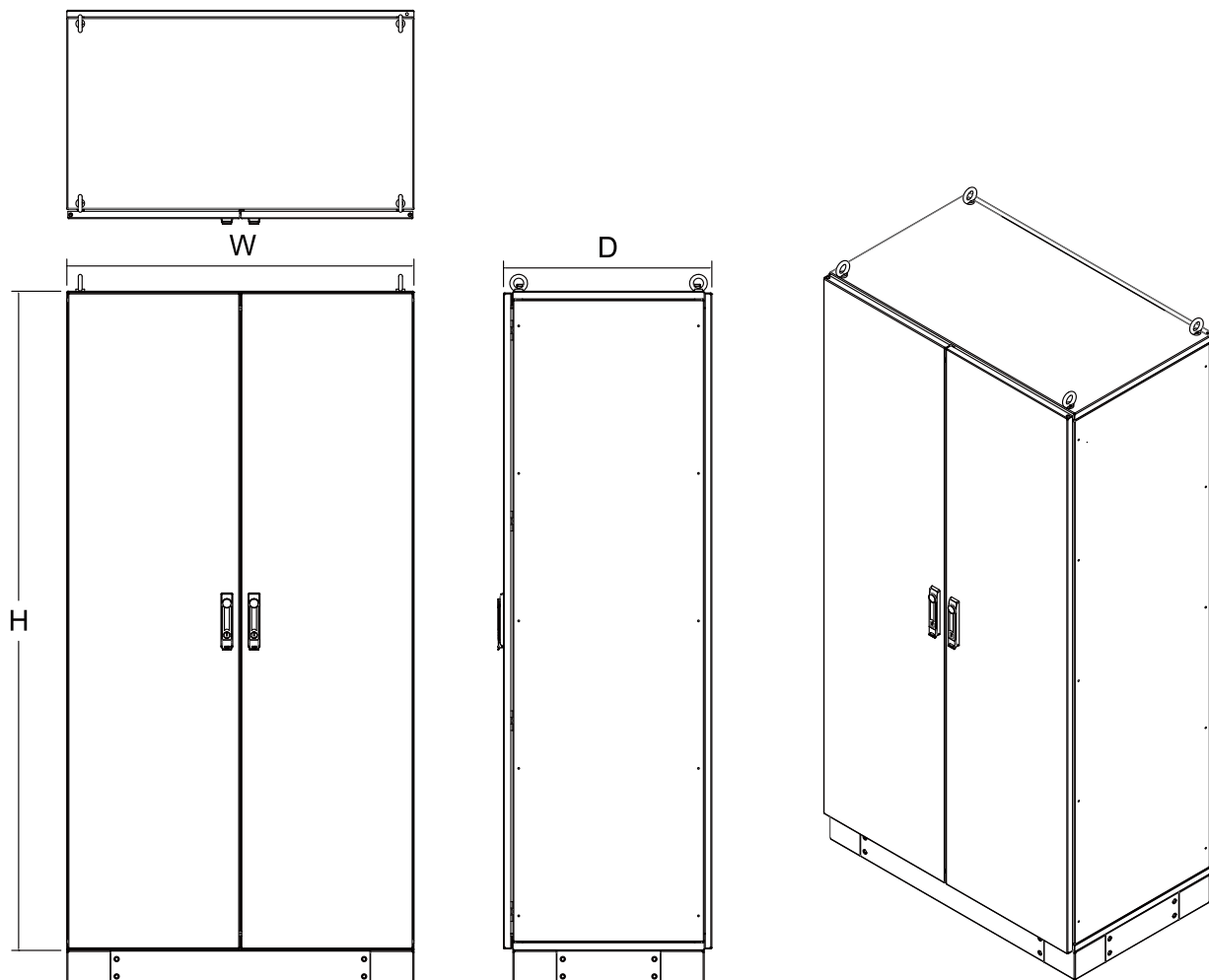


### ME Modular Enclosure





## Double Bay Drawing





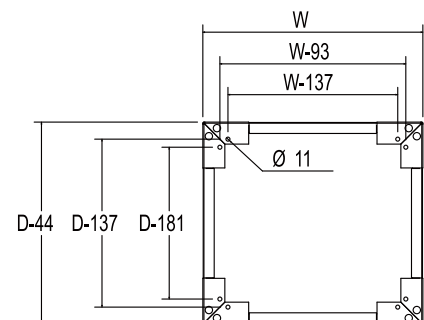
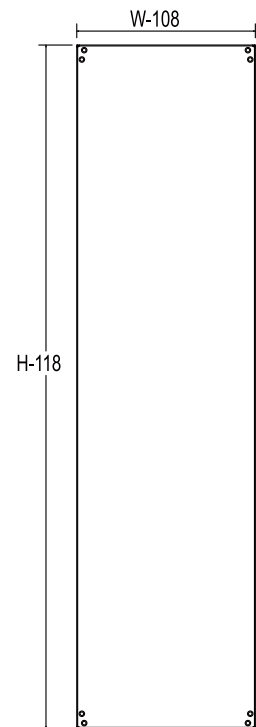
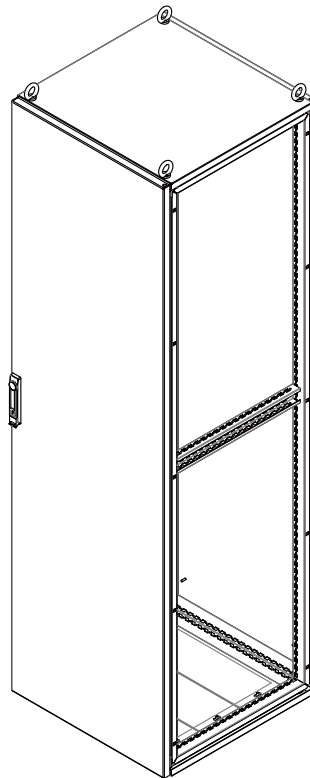
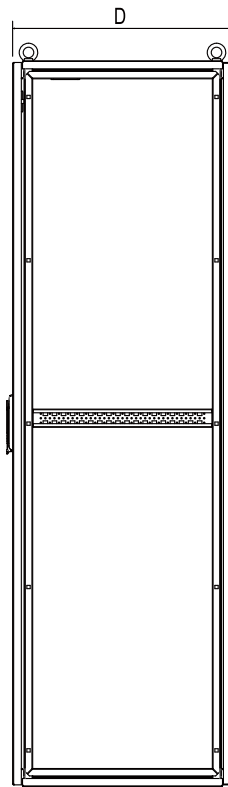
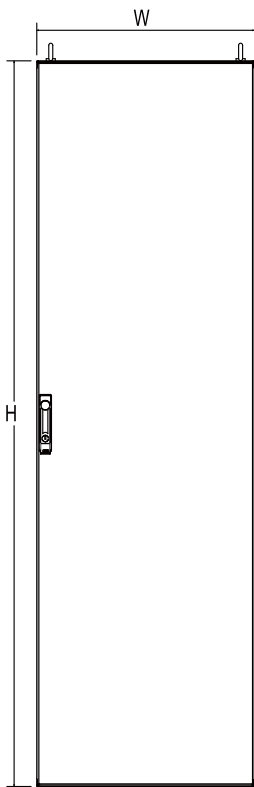
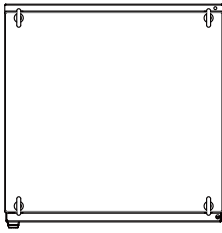
# ME Series Modular Enclosures **Package 1**

## Single Bay , IP55

*With Top, Bottom Cover, Front and Rear Panel,  
3pcs Gland Plate, Eye Bolt, Swing Handle*

### **C**onstruction

- Basic
- Rear Panel
- Front Door with Swing Handle
- Top Cover
- Eye Bolt (4pcs)
- Gland Plate in 3pcs
- Support Rail (2pcs)



## Single Bay, IP55

NO.	Catalog Number	Dimensions			Side Panel	Base /Plinth	Mounting Plate
		H(mm)	W(mm)	D(mm)			
1	ME 1664	1600	600	400	SP 164	BS 6040	MP 166
2	ME 1665	1600	600	500	SP 165	BS 6050	MP 166
3	ME 1666	1600	600	600	SP 166	BS 6060	MP 166
4	ME 1668	1600	600	800	SP 168	BS 6080	MP 166
5	ME 1684	1600	800	400	SP 164	BS 8040	MP 168
6	ME 1685	1600	800	500	SP 165	BS 8050	MP 168
7	ME 1686	1600	800	600	SP 166	BS 8060	MP 168
8	ME 1688	1600	800	800	SP 168	BS 8080	MP 168
9	ME 16104	1600	1000	400	SP 164	BS 10040	MP 1610
10	ME 16105	1600	1000	500	SP 165	BS 10050	MP 1610
11	ME 16106	1600	1000	600	SP 166	BS 10060	MP 1610
12	ME 16108	1600	1000	800	SP 168	BS 10080	MP 1610
13	ME 1864	1800	600	400	SP 184	BS 6040	MP 186
14	ME 1865	1800	600	500	SP 185	BS 6050	MP 186
15	ME 1866	1800	600	600	SP 186	BS 6060	MP 186
16	ME 1868	1800	600	800	SP 188	BS 6080	MP 186
17	ME 1884	1800	800	400	SP 184	BS 8040	MP 188
18	ME 1885	1800	800	500	SP 185	BS 8050	MP 188
19	ME 1886	1800	800	600	SP 186	BS 8060	MP 188
20	ME 1888	1800	800	800	SP 188	BS 8080	MP 188
21	ME 18104	1800	1000	400	SP 184	BS 10040	MP 1810
22	ME 18105	1800	1000	500	SP 185	BS 10050	MP 1810
23	ME 18106	1800	1000	600	SP 186	BS 10060	MP 1810
24	ME 18108	1800	1000	800	SP 188	BS 10080	MP 1810
25	ME 2064	2000	600	400	SP 204	BS 6040	MP 206
26	ME 2065	2000	600	500	SP 205	BS 6050	MP 206
27	ME 2066	2000	600	600	SP 206	BS 6060	MP 206
28	ME 2068	2000	600	800	SP 208	BS 6080	MP 206
29	ME 2084	2000	800	400	SP 204	BS 8040	MP 208
30	ME 2085	2000	800	500	SP 205	BS 8050	MP 208
31	ME 2086	2000	800	600	SP 206	BS 8060	MP 208
32	ME 2088	2000	800	800	SP 208	BS 8080	MP 208
33	ME 20104	2000	1000	400	SP 204	BS 10040	MP 2010
34	ME 20105	2000	1000	500	SP 205	BS 10050	MP 2010
35	ME 20106	2000	1000	600	SP 206	BS 10060	MP 2010
36	ME 20108	2000	1000	800	SP 208	BS 10080	MP 2010
37	ME 2266	2200	600	600	SP 226	BS 6060	MP 226
38	ME 2268	2200	600	800	SP 228	BS 6080	MP 226
39	ME 2278	2200	700	800	SP 229	BS 7080	MP 227
40	ME 2279	2200	700	900	SP 226	BS 7090	MP 227
41	ME 2286	2200	800	600	SP 228	BS 8060	MP 228
42	ME 2288	2200	800	800	SP 228	BS 8080	MP 228
43	ME 22105	2200	1000	500	SP 225	BS 10050	MP 2210
44	ME 22106	2200	1000	600	SP 226	BS 10060	MP 2210
45	ME 22108	2200	1000	800	SP 228	BS 10080	MP 2210

### Note:

1. Side Panel 2pcs/set
2. Galvanized Steel Mounting Plate

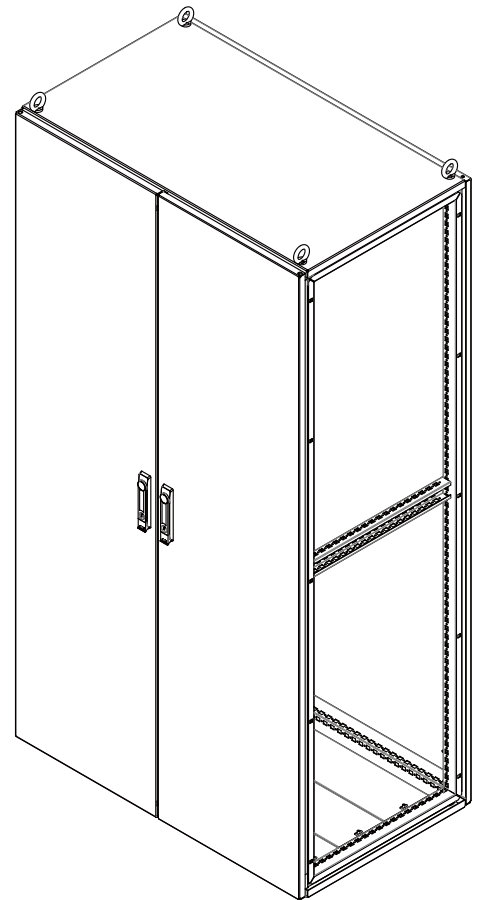
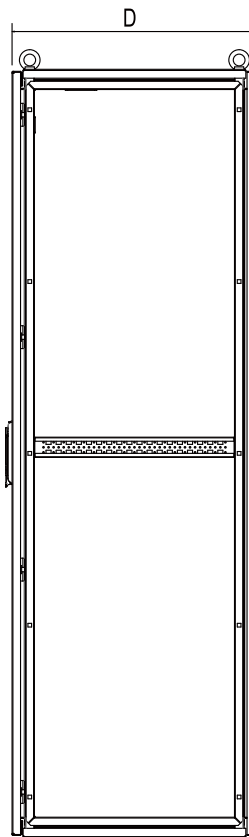
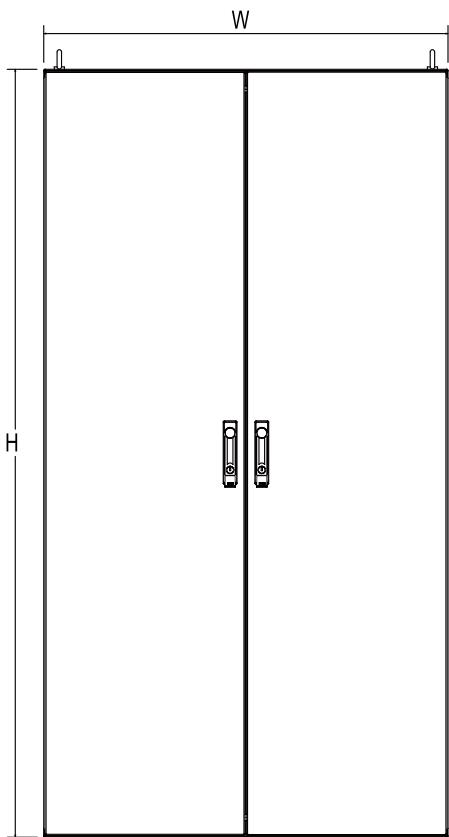
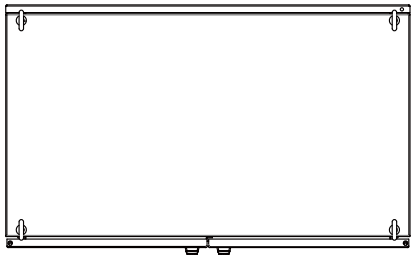
# ME Series Modular Enclosures Package 1

## Double Bay , IP55

*With Top, Bottom Cover, Overlapping Steel Door and Rear Panel, 3pcs Gland Plate, Eye Bolt, Swing Handle*

### Construction

- Double Door
- Rear Panel
- Front Door with Swing Handle
- Top Cover
- Eye Bolt (4pcs)
- Gland Plate in 3pcs
- 2pcs Support Rail
- 2pcs Top Frame Support Rail



## Double Bay, IP55

NO.	Catalog Number	Dimensions			Side Panel	Base /Plinth	Mounting Plate
		H(mm)	W(mm)	D(mm)			
1	ME 7126	700	1200	600	SP 76	BS 12060	MP 712
2	ME 14124	1400	1200	400	SP 144	BS 12040	MP 1412
3	ME 14125	1400	1200	500	SP 145	BS 12050	MP 1412
4	ME 16124	1600	1200	400	SP 164	BS 12040	MP 1612
5	ME 16125	1600	1200	500	SP 165	BS 12050	MP 1612
6	ME 16126	1600	1200	600	SP 166	BS 12060	MP 1612
7	ME 16128	1600	1200	800	SP 168	BS 12080	MP 1612
8	ME 18124	1800	1200	400	SP 184	BS 12040	MP 1812
9	ME 18125	1800	1200	500	SP 185	BS 12050	MP 1812
10	ME 18126	1800	1200	600	SP 186	BS 12060	MP 1812
11	ME 18128	1800	1200	800	SP 188	BS 12080	MP 1812
12	ME 20124	2000	1200	400	SP 204	BS 12040	MP 2012
13	ME 20125	2000	1200	500	SP 205	BS 12050	MP 2012
14	ME 20126	2000	1200	600	SP 206	BS 12060	MP 2012
15	ME 20128	2000	1200	800	SP 208	BS 12080	MP 2012
16	ME 22126	2200	1200	600	SP 226	BS 12060	MP 2212
17	ME 22128	2200	1200	800	SP 228	BS 12080	MP 2212

**Note:**

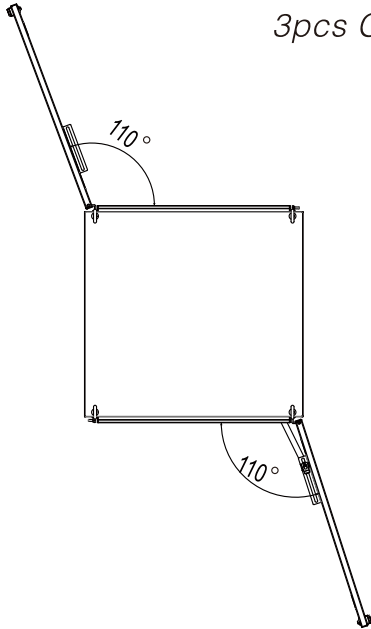
1. Side Panel 2pcs/set
2. Galvanized Steel Mounting Plate



# MEDA Series Modular Enclosures Package 2

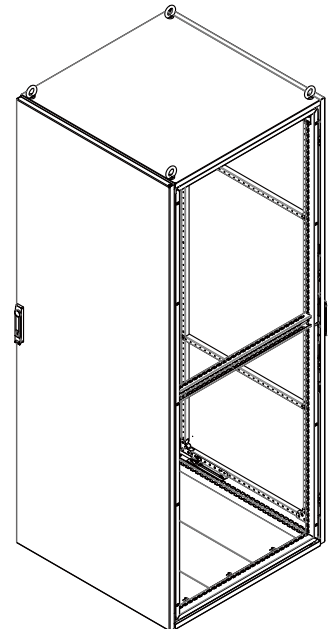
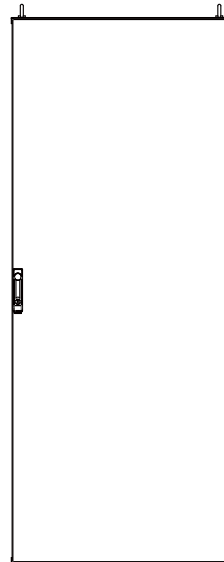
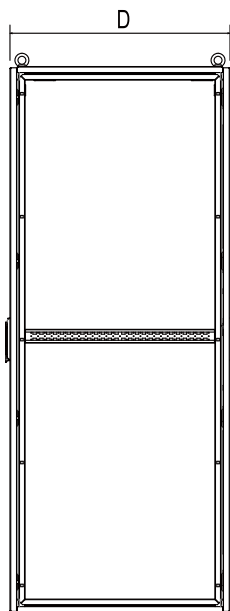
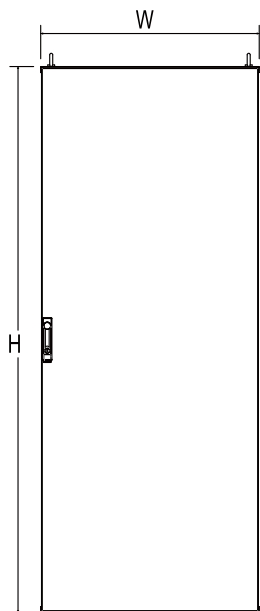
## Dual Access Single Bay , IP55

With Top, Bottom Cover, Front and Rear Steel Door,  
3pcs Gland Plate, Eye Bolt, Swing Handle



### Dual-Access Construction

- Rear Door Door come with Swing Handle
- Front Steel Door come with Swing Handle
- Top Cover
- Eye Bolt (4pcs)
- Gland Plate in 3pcs
- 2pcs Support Rail





## Dual Access Singale Bay, IP55

NO.	Catalog Number	Dimensions			Side Panel	Base /Plinth	200mm Base /Plinth	Mounting Plate	Mounting Plate W/ Cover
		H(mm)	W(mm)	D(mm)					
1	MEDA 1664	1600	600	400	SP 164	BS 6040	DBS 6040	MP 166	MPC 166
2	MEDA 1665	1600	600	500	SP 165	BS 6050	DBS 6050	MP 166	MPC 166
3	MEDA 1666	1600	600	600	SP 166	BS 6060	DBS 6060	MP 166	MPC 166
4	MEDA 1668	1600	600	800	SP 168	BS 6080	DBS 6080	MP 166	MPC 166
5	MEDA 1684	1600	800	400	SP 164	BS 8040	DBS 8040	MP 168	MPC 168
6	MEDA 1685	1600	800	500	SP 165	BS 8050	DBS 8050	MP 168	MPC 168
7	MEDA 1686	1600	800	600	SP 166	BS 8060	DBS 8060	MP 168	MPC 168
8	MEDA 1688	1600	800	800	SP 168	BS 8080	DBS 8080	MP 168	MPC 168
9	MEDA 16104	1600	1000	400	SP 164	BS 10040	DBS 10040	MP 1610	MPC 1610
10	MEDA 16105	1600	1000	500	SP 165	BS 10050	DBS 10050	MP 1610	MPC 1610
11	MEDA 16106	1600	1000	600	SP 166	BS 10060	DBS 10060	MP 1610	MPC 1610
12	MEDA 16108	1600	1000	800	SP 168	BS 10080	DBS 10080	MP 1610	MPC 1610
13	MEDA 1864	1800	600	400	SP 184	BS 6040	DBS 6040	MP 186	MPC 186
14	MEDA 1865	1800	600	500	SP 185	BS 6050	DBS 6050	MP 186	MPC 186
15	MEDA 1866	1800	600	600	SP 186	BS 6060	DBS 6060	MP 186	MPC 186
16	MEDA 1868	1800	600	800	SP 188	BS 6080	DBS 6080	MP 186	MPC 186
17	MEDA 1884	1800	800	400	SP 184	BS 8040	DBS 8040	MP 188	MPC 188
18	MEDA 1885	1800	800	500	SP 185	BS 8050	DBS 8050	MP 188	MPC 188
19	MEDA 1886	1800	800	600	SP 186	BS 8060	DBS 8060	MP 188	MPC 188
20	MEDA 1888	1800	800	800	SP 188	BS 8080	DBS 8080	MP 188	MPC 188
21	MEDA 18104	1800	1000	400	SP 184	BS 10040	DBS 10040	MP 1810	MPC 1810
22	MEDA 18105	1800	1000	500	SP 185	BS 10050	DBS 10050	MP 1810	MPC 1810
23	MEDA 18106	1800	1000	600	SP 186	BS 10060	DBS 10060	MP 1810	MPC 1810
24	MEDA 18108	1800	1000	800	SP 188	BS 10080	DBS 10080	MP 1810	MPC 1810
25	MEDA 2064	2000	600	400	SP 204	BS 6040	DBS 6040	MP 206	MPC 206
26	MEDA 2065	2000	600	500	SP 205	BS 6050	DBS 6050	MP 206	MPC 206
27	MEDA 2066	2000	600	600	SP 206	BS 6060	DBS 6060	MP 206	MPC 206
28	MEDA 2068	2000	600	800	SP 208	BS 6080	DBS 6080	MP 206	MPC 206
29	MEDA 2084	2000	800	400	SP 204	BS 8040	DBS 8040	MP 208	MPC 208
30	MEDA 2085	2000	800	500	SP 205	BS 8050	DBS 8050	MP 208	MPC 208
31	MEDA 2086	2000	800	600	SP 206	BS 8060	DBS 8060	MP 208	MPC 208
32	MEDA 2088	2000	800	800	SP 208	BS 8080	DBS 8080	MP 208	MPC 208
33	MEDA 20104	2000	1000	400	SP 204	BS 10040	DBS 10040	MP 2010	MPC 2010
34	MEDA 20105	2000	1000	500	SP 205	BS 10050	DBS 10050	MP 2010	MPC 2010
35	MEDA 20106	2000	1000	600	SP 206	BS 10060	DBS 10060	MP 2010	MPC 2010
36	MEDA 20108	2000	1000	800	SP 208	BS 10080	DBS 10080	MP 2010	MPC 2010
37	MEDA 2266	2200	600	600	SP 226	BS 6060	DBS 6060	MP 226	MPC 226
38	MEDA 2268	2200	600	800	SP 228	BS 6080	DBS 6080	MP 226	MPC 226
39	MEDA 2278	2200	700	800	SP 229	BS 7080	DBS 7080	MP 227	MPC 227
40	MEDA 2279	2200	700	900	SP 226	BS 7090	DBS 7090	MP 227	MPC 227
41	MEDA 2286	2200	800	600	SP 228	BS 8060	DBS 8060	MP 228	MPC 228
42	MEDA 2288	2200	800	800	SP 228	BS 8080	DBS 8080	MP 228	MPC 228
43	MEDA 22105	2200	1000	500	SP 225	BS 10050	DBS 10050	MP 2210	MPC 2210
44	MEDA 22106	2200	1000	600	SP 226	BS 10060	DBS 10060	MP 2210	MPC 2210
45	MEDA 22108	2200	1000	800	SP 228	BS 10080	DBS 10080	MP 2210	MPC 2210

Note:

1. Side Panel 2pcs/set
2. Galvanized Steel Mounting Plate



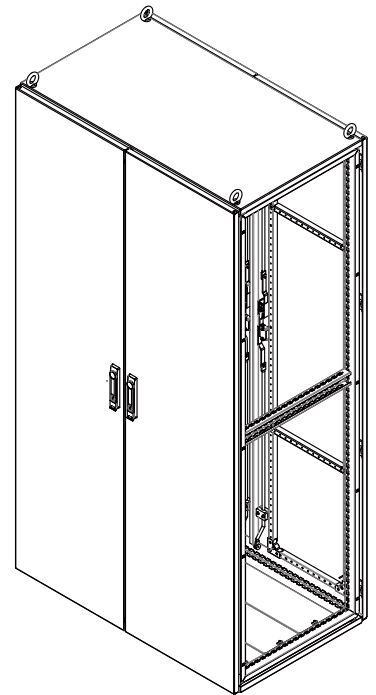
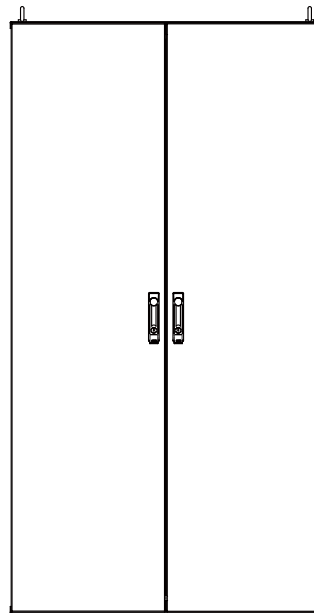
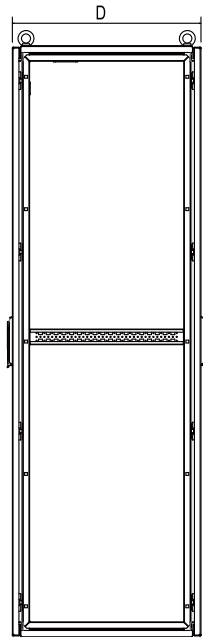
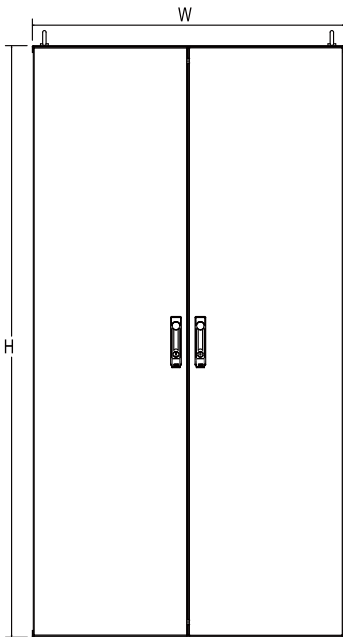
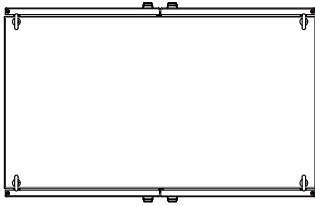
## cont. MEDA Series Modular Enclosures **Package 2**

### Dual Access Double Bay , IP55

*With Top, Bottom Cover, Front and Rear Overlapping Steel Door, 3pcs Gland Plate, Eye Bolt, Swing Handle*

#### **D**ual-Access Construction

- Rear Overlapping Steel Door come with Swing Handle
- Front Overlapping Steel Door come with Swing Handle
- Top Cover
- Eye Bolt (4pcs)
- Gland Plate in 3pcs
- 2pcs Support Rail
- 2pcs Top Frame Support Rail



## Dual Access Double Bay, IP55

NO.	Catalog Number	Dimensions			Side Panel	Base /Plinth	200mm Base /Plinth	Mounting Plate	Mounting Plate W/ Cover
		H(mm)	W(mm)	D(mm)					
1	MEDA 7126	700	1200	600	SP 76	BS 12060	DBS 12060	MP 712	MPC 712
2	MEDA 14124	1400	1200	400	SP 144	BS 12040	DBS 12040	MP 1412	MPC 1412
3	MEDA 14125	1400	1200	500	SP 145	BS 12050	DBS 12050	MP 1412	MPC 1412
4	MEDA 16124	1600	1200	400	SP 164	BS 12040	DBS 12040	MP 1612	MPC 1612
5	MEDA 16125	1600	1200	500	SP 165	BS 12050	DBS 12050	MP 1612	MPC 1612
6	MEDA 16126	1600	1200	600	SP 166	BS 12060	DBS 12060	MP 1612	MPC 1612
7	MEDA 16128	1600	1200	800	SP 168	BS 12080	DBS 12080	MP 1612	MPC 1612
8	MEDA 18124	1800	1200	400	SP 184	BS 12040	DBS 12040	MP 1812	MPC 1812
9	MEDA 18125	1800	1200	500	SP 185	BS 12050	DBS 12050	MP 1812	MPC 1812
10	MEDA 18126	1800	1200	600	SP 186	BS 12060	DBS 12060	MP 1812	MPC 1812
11	MEDA 18128	1800	1200	800	SP 188	BS 12080	DBS 12080	MP 1812	MPC 1812
12	MEDA 20124	2000	1200	400	SP 204	BS 12040	DBS 12040	MP 2012	MPC 2012
13	MEDA 20125	2000	1200	500	SP 205	BS 12050	DBS 12050	MP 2012	MPC 2012
14	MEDA 20126	2000	1200	600	SP 206	BS 12060	DBS 12060	MP 2012	MPC 2012
15	MEDA 20128	2000	1200	800	SP 208	BS 12080	DBS 12080	MP 2012	MPC 2012
16	MEDA 22126	2200	1200	600	SP 226	BS 12060	DBS 12060	MP 2212	MPC 2212
17	MEDA 22128	2200	1200	800	SP 228	BS 12080	DBS 12080	MP 2212	MPC 2212

Note:

1. Side Panel 2pcs/set
2. Galvanized Steel Mounting Plate



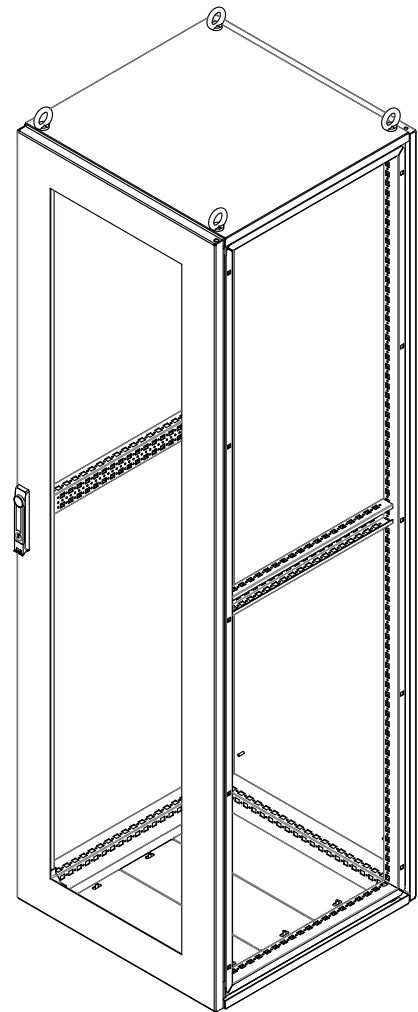
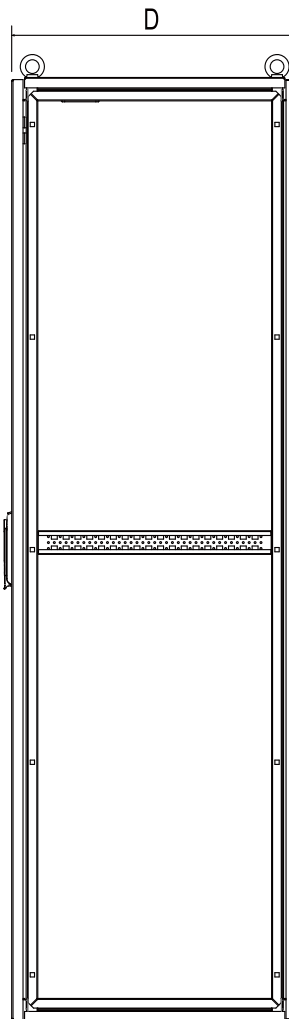
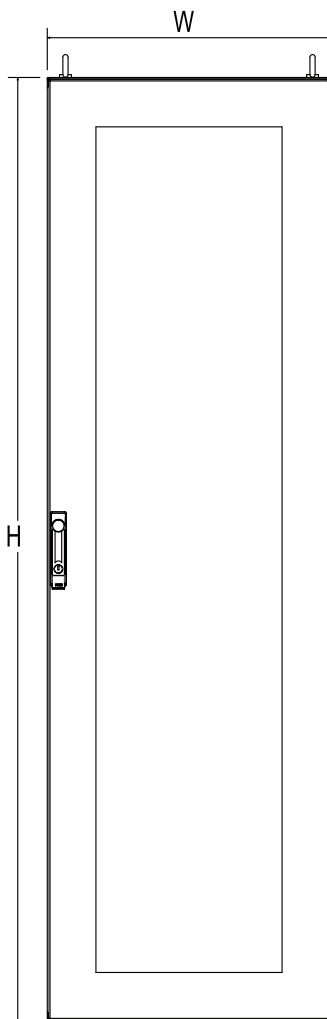
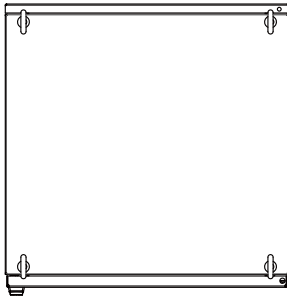
# MEG Series Modular Enclosures Glass Door Package 3

## Glass Door Single Bay , IP55

*With Top, Bottom Cover, Front Glass Door and Rear Panel,  
3pcs Gland Plate, Eye Bolt, Swing Handle*

### Glass Door Construction

- Rear Door
- Front Glass Door with Swing Handle
- Top Cover
- Eye Bolt (4pcs)
- Gland Plate in 3pcs
- 2pcs Support Rail on Depth



## Modular Enclosure with Glass Door, IP55

NO.	Catalog Number	Dimensions			Side Panel	Base /Plinth	200mm Base /Plinth	Mounting Plate
		H(mm)	W(mm)	D(mm)				
1	MEG 1664	1600	600	400	SP 164	BS 6040	DBS 6040	MP 166
2	MEG 1665	1600	600	500	SP 165	BS 6050	DBS 6050	MP 166
3	MEG 1666	1600	600	600	SP 166	BS 6060	DBS 6060	MP 166
4	MEG 1668	1600	600	800	SP 168	BS 6080	DBS 6080	MP 166
5	MEG 1684	1600	800	400	SP 164	BS 8040	DBS 8040	MP 168
6	MEG 1685	1600	800	500	SP 165	BS 8050	DBS 8050	MP 168
7	MEG 1686	1600	800	600	SP 166	BS 8060	DBS 8060	MP 168
8	MEG 1688	1600	800	800	SP 168	BS 8080	DBS 8080	MP 168
9	MEG 16104	1600	1000	400	SP 164	BS 10040	DBS 10040	MP 1610
10	MEG 16105	1600	1000	500	SP 165	BS 10050	DBS 10050	MP 1610
11	MEG 16106	1600	1000	600	SP 166	BS 10060	DBS 10060	MP 1610
12	MEG 16108	1600	1000	800	SP 168	BS 10080	DBS 10080	MP 1610
13	MEG 1864	1800	600	400	SP 184	BS 6040	DBS 6040	MP 186
14	MEG 1865	1800	600	500	SP 185	BS 6050	DBS 6050	MP 186
15	MEG 1866	1800	600	600	SP 186	BS 6060	DBS 6060	MP 186
16	MEG 1868	1800	600	800	SP 188	BS 6080	DBS 6080	MP 186
17	MEG 1884	1800	800	400	SP 184	BS 8040	DBS 8040	MP 188
18	MEG 1885	1800	800	500	SP 185	BS 8050	DBS 8050	MP 188
19	MEG 1886	1800	800	600	SP 186	BS 8060	DBS 8060	MP 188
20	MEG 1888	1800	800	800	SP 188	BS 8080	DBS 8080	MP 188
21	MEG 18104	1800	1000	400	SP 184	BS 10040	DBS 10040	MP 1810
22	MEG 18105	1800	1000	500	SP 185	BS 10050	DBS 10050	MP 1810
23	MEG 18106	1800	1000	600	SP 186	BS 10060	DBS 10060	MP 1810
24	MEG 18108	1800	1000	800	SP 188	BS 10080	DBS 10080	MP 1810
25	MEG 2064	2000	600	400	SP 204	BS 6040	DBS 6040	MP 206
26	MEG 2065	2000	600	500	SP 205	BS 6050	DBS 6050	MP 206
27	MEG 2066	2000	600	600	SP 206	BS 6060	DBS 6060	MP 206
28	MEG 2068	2000	600	800	SP 208	BS 6080	DBS 6080	MP 206
29	MEG 2084	2000	800	400	SP 204	BS 8040	DBS 8040	MP 208
30	MEG 2085	2000	800	500	SP 205	BS 8050	DBS 8050	MP 208
31	MEG 2086	2000	800	600	SP 206	BS 8060	DBS 8060	MP 208
32	MEG 2088	2000	800	800	SP 208	BS 8080	DBS 8080	MP 208
33	MEG 20104	2000	1000	400	SP 204	BS 10040	DBS 10040	MP 2010
34	MEG 20105	2000	1000	500	SP 205	BS 10050	DBS 10050	MP 2010
35	MEG 20106	2000	1000	600	SP 206	BS 10060	DBS 10060	MP 2010
36	MEG 20108	2000	1000	800	SP 208	BS 10080	DBS 10080	MP 2010
37	MEG 2266	2200	600	600	SP 226	BS 6060	DBS 6060	MP 226
38	MEG 2268	2200	600	800	SP 228	BS 6080	DBS 6080	MP 226
39	MEG 2278	2200	700	800	SP 229	BS 7080	DBS 7080	MP 227
40	MEG 2279	2200	700	900	SP 226	BS 7090	DBS 7090	MP 227
41	MEG 2286	2200	800	600	SP 228	BS 8060	DBS 8060	MP 228
42	MEG 2288	2200	800	800	SP 228	BS 8080	DBS 8080	MP 228
43	MEG 22105	2200	1000	500	SP 225	BS 10050	DBS 10050	MP 2210
44	MEG 22106	2200	1000	600	SP 226	BS 10060	DBS 10060	MP 2210
45	MEG 22108	2200	1000	800	SP 228	BS 10080	DBS 10080	MP 2210

Note:

1. Side Panel 2pcs/set
2. Galvanized Steel Mounting Plate



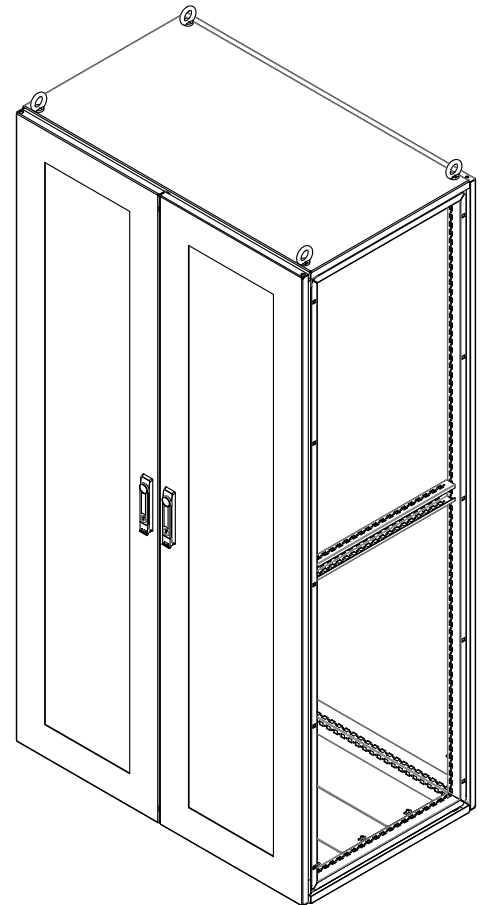
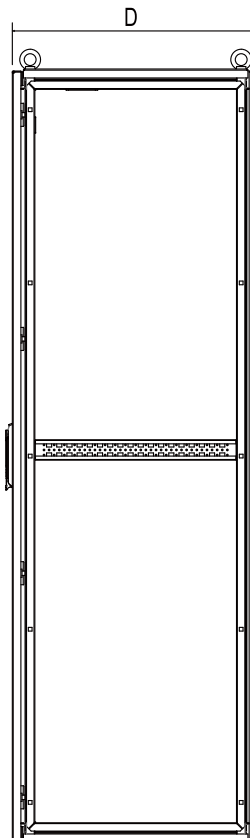
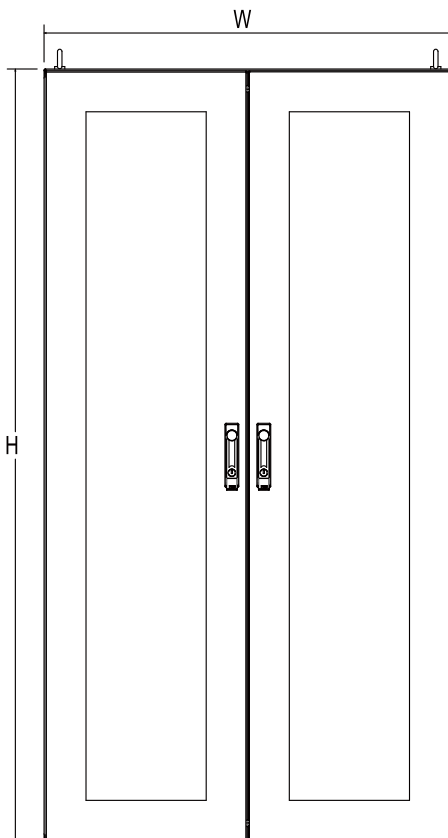
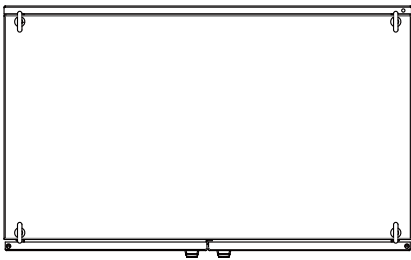
## cont. MEG Series Modular Enclosures Glass Door Package 3

### Glass Door Double Bay, IP55

*With Top, Bottom Cover, Front Glass Door and Rear Panel,  
3pcs Gland Plate, Eye Bolt, Swing Handle*

#### **G**lass Door Construction

- Rear Panel
- Front Glass Door with Swing Handle
- Top Cover
- Eye Bolt (4pcs)
- Gland Plate in 3pcs
- 2pcs Support Rail on Depth



## Glass Door Double Bay, IP55

NO.	Catalog Number	Dimensions			Side Panel	Base /Plinth	Mounting Plate
		H(mm)	W(mm)	D(mm)			
1	MEG 7126	700	1200	600	SP 76	BS 12060	MP 712
2	MEG 14124	1400	1200	400	SP 144	BS 12040	MP 1412
3	MEG 14125	1400	1200	500	SP 145	BS 12050	MP 1412
4	MEG 14164	1400	1600	400	SP 144	BS 16040	MP 1416
5	MEG 14165	1400	1600	500	SP 145	BS 16050	MP 1416
6	MEG 16124	1600	1200	400	SP 164	BS 12040	MP 1612
7	MEG 16125	1600	1200	500	SP 165	BS 12050	MP 1612
8	MEG 16126	1600	1200	600	SP 166	BS 12060	MP 1612
9	MEG 16128	1600	1200	800	SP 168	BS 12080	MP 1612
10	MEG 18124	1800	1200	400	SP 184	BS 12040	MP 1812
11	MEG 18125	1800	1200	500	SP 185	BS 12050	MP 1812
12	MEG 18126	1800	1200	600	SP 186	BS 12060	MP 1812
13	MEG 18128	1800	1200	800	SP 188	BS 12080	MP 1812
14	MEG 18164	1800	1600	400	SP 184	BS 16040	MP 1816
15	MEG 18165	1800	1600	500	SP 185	BS 16050	MP 1816
16	MEG 18166	1800	1600	600	SP 186	BS 16060	MP 1816
17	MEG 18168	1800	1600	800	SP 188	BS 16080	MP 1816
18	MEG 20124	2000	1200	400	SP 204	BS 12040	MP 2012
19	MEG 20125	2000	1200	500	SP 205	BS 12050	MP 2012
20	MEG 20126	2000	1200	600	SP 206	BS 12060	MP 2012
21	MEG 20128	2000	1200	800	SP 208	BS 12080	MP 2012
22	MEG 20164	2000	1600	400	SP 204	BS 16040	MP 2016
23	MEG 20165	2000	1600	500	SP 205	BS 16050	MP 2016
24	MEG 20166	2000	1600	600	SP 206	BS 16060	MP 2016
25	MEG 20168	2000	1600	800	SP 208	BS 16080	MP 2016
26	MEG 22126	2200	1200	600	SP 226	BS 12060	MP 2212
27	MEG 22128	2200	1200	800	SP 228	BS 12080	MP 2212

Note:

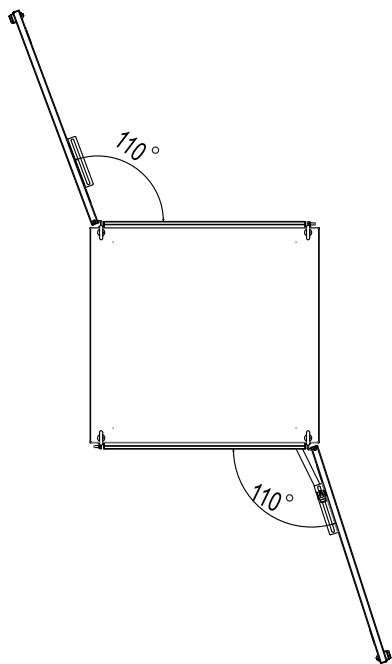
1. Side Panel 2pcs/set
2. Galvanized Steel Mounting Plate



# MEDG Series Modular Enclosures Glass Door Package 4

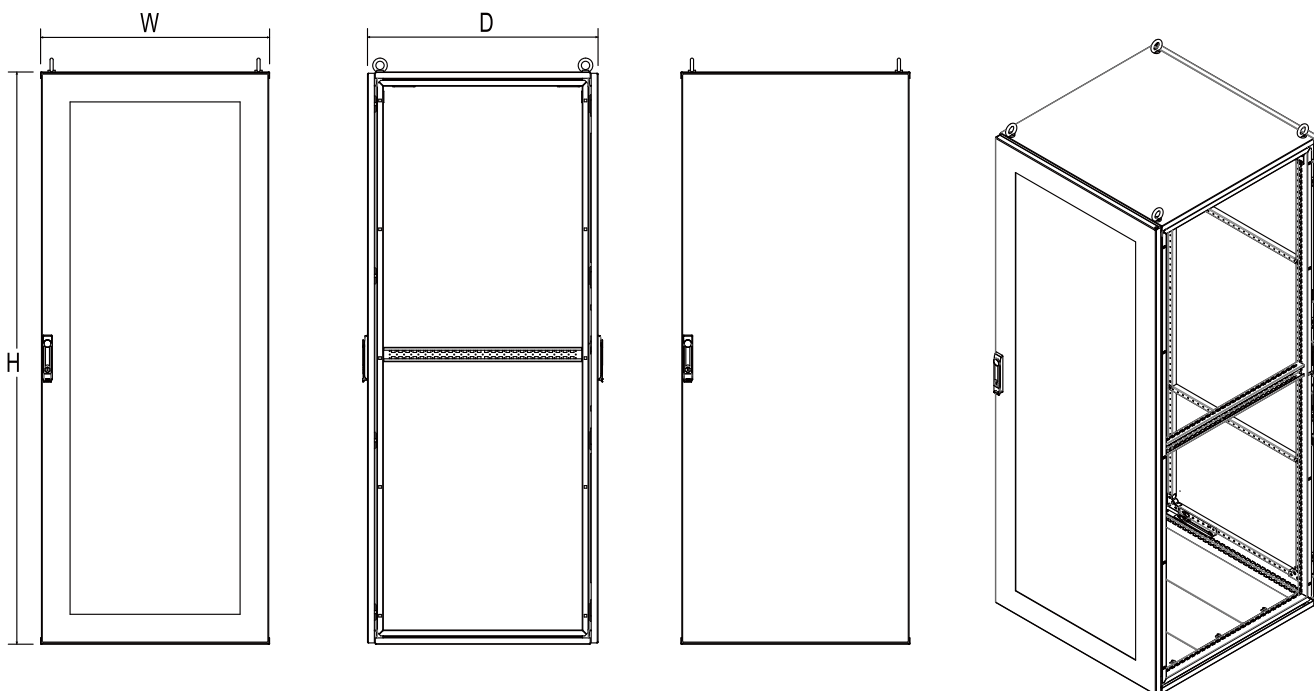
## Front Glass Door with Rear Steel Door, Single Bay, IP55

With Top, Bottom Cover, Front Glass Door and Rear Door, 3 pcs Gland Plate, Eye Bolt, Swing Handle



### Dual-Access Construction

- Rear Door
- Front Glass Door with Swing Handle
- Top Cover
- Eye Bolt (4pcs)
- Gland Plate in 3pcs
- 2pcs Support Rail



## Front Glass Door with Rear Steel Door, Singale Bay, IP55

NO.	Catalog Number	Dimensions			Side Panel	Base /Plinth	Mounting Plate
		H(mm)	W(mm)	D(mm)			
1	MEDG 1664	1600	600	400	SP 164	BS 6040	MP 166
2	MEDG 1665	1600	600	500	SP 165	BS 6050	MP 166
3	MEDG 1666	1600	600	600	SP 166	BS 6060	MP 166
4	MEDG 1668	1600	600	800	SP 168	BS 6080	MP 166
5	MEDG 1684	1600	800	400	SP 164	BS 8040	MP 168
6	MEDG 1685	1600	800	500	SP 165	BS 8050	MP 168
7	MEDG 1686	1600	800	600	SP 166	BS 8060	MP 168
8	MEDG 1688	1600	800	800	SP 168	BS 8080	MP 168
9	MEDG 16104	1600	1000	400	SP 164	BS 10040	MP 1610
10	MEDG 16105	1600	1000	500	SP 165	BS 10050	MP 1610
11	MEDG 16106	1600	1000	600	SP 166	BS 10060	MP 1610
12	MEDG 16108	1600	1000	800	SP 168	BS 10080	MP 1610
13	MEDG 1864	1800	600	400	SP 184	BS 6040	MP 186
14	MEDG 1865	1800	600	500	SP 185	BS 6050	MP 186
15	MEDG 1866	1800	600	600	SP 186	BS 6060	MP 186
16	MEDG 1868	1800	600	800	SP 188	BS 6080	MP 186
17	MEDG 1884	1800	800	400	SP 184	BS 8040	MP 188
18	MEDG 1885	1800	800	500	SP 185	BS 8050	MP 188
19	MEDG 1886	1800	800	600	SP 186	BS 8060	MP 188
20	MEDG 1888	1800	800	800	SP 188	BS 8080	MP 188
21	MEDG 18104	1800	1000	400	SP 184	BS 10040	MP 1810
22	MEDG 18105	1800	1000	500	SP 185	BS 10050	MP 1810
23	MEDG 18106	1800	1000	600	SP 186	BS 10060	MP 1810
24	MEDG 18108	1800	1000	800	SP 188	BS 10080	MP 1810
25	MEDG 2064	2000	600	400	SP 204	BS 6040	MP 206
26	MEDG 2065	2000	600	500	SP 205	BS 6050	MP 206
27	MEDG 2066	2000	600	600	SP 206	BS 6060	MP 206
28	MEDG 2068	2000	600	800	SP 208	BS 6080	MP 206
29	MEDG 2084	2000	800	400	SP 204	BS 8040	MP 208
30	MEDG 2085	2000	800	500	SP 205	BS 8050	MP 208
31	MEDG 2086	2000	800	600	SP 206	BS 8060	MP 208
32	MEDG 2088	2000	800	800	SP 208	BS 8080	MP 208
33	MEDG 20104	2000	1000	400	SP 204	BS 10040	MP 2010
34	MEDG 20105	2000	1000	500	SP 205	BS 10050	MP 2010
35	MEDG 20106	2000	1000	600	SP 206	BS 10060	MP 2010
36	MEDG 20108	2000	1000	800	SP 208	BS 10080	MP 2010
37	MEDG 2266	2200	600	600	SP 226	BS 6060	MP 226
38	MEDG 2268	2200	600	800	SP 228	BS 6080	MP 226
39	MEDG 2278	2200	700	800	SP 229	BS 7080	MP 227
40	MEDG 2279	2200	700	900	SP 226	BS 7090	MP 227
41	MEDG 2286	2200	800	600	SP 228	BS 8060	MP 228
42	MEDG 2288	2200	800	800	SP 228	BS 8080	MP 228
43	MEDG 22105	2200	1000	500	SP 225	BS 10050	MP 2210
44	MEDG 22106	2200	1000	600	SP 226	BS 10060	MP 2210
45	MEDG 22108	2200	1000	800	SP 228	BS 10080	MP 2210

### Note:

1. Side Panel 2pcs/set
2. Galvanized Steel Mounting Plate



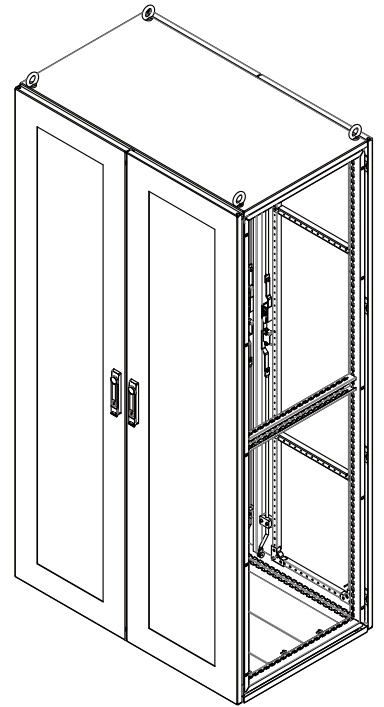
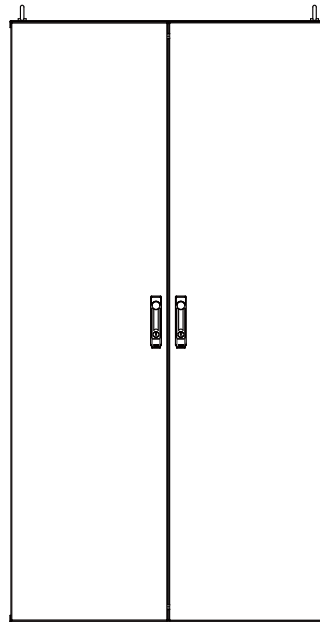
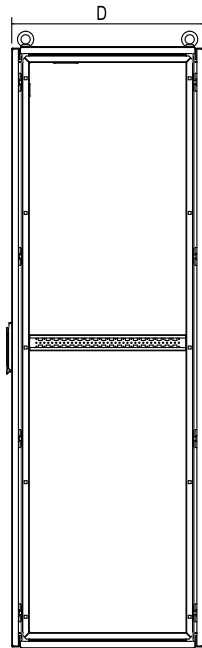
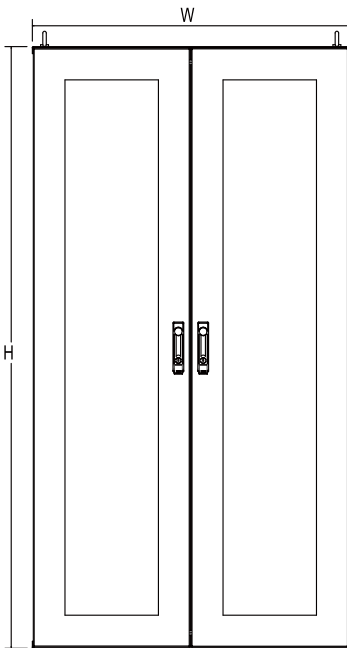
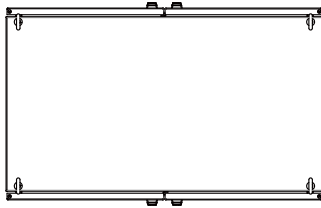
# cont. MEDG Series Modular Enclosures Glass Door Package 4

## Glass Door Double Bay, IP55

*With Top, Bottom Cover, Front Glass Door and Rear Panel,  
3pcs Gland Plate, Eye Bolt, Swing Handle*

### Glass Door Construction

- Rear Panel
- Front Glass Door with Swing Handle
- Top Cover
- Eye Bolt (4pcs)
- Gland Plate in 3pcs
- 2pcs Support Rail on Depth



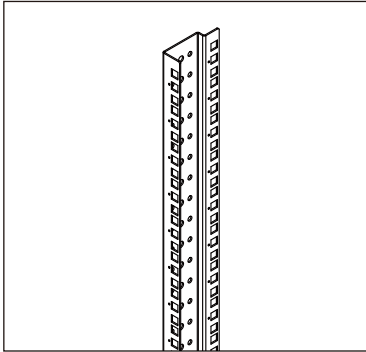
## Double Bay, Front Glass Door with Rear Steel Door, IP55

NO.	Catalog Number	Dimensions			Side Panel	Base /Plinth	Mounting Plate
		H(mm)	W(mm)	D(mm)			
1	MEDG 7126	700	1200	600	SP 76	BS 12060	MP 712
2	MEDG 14124	1400	1200	400	SP 144	BS 12040	MP 1412
3	MEDG 14125	1400	1200	500	SP 145	BS 12050	MP 1412
4	MEDG 14164	1400	1600	400	SP 144	BS 16040	MP 1416
5	MEDG 14165	1400	1600	500	SP 145	BS 16050	MP 1416
6	MEDG 16124	1600	1200	400	SP 164	BS 12040	MP 1612
7	MEDG 16125	1600	1200	500	SP 165	BS 12050	MP 1612
8	MEDG 16126	1600	1200	600	SP 166	BS 12060	MP 1612
9	MEDG 16128	1600	1200	800	SP 168	BS 12080	MP 1612
10	MEDG 18124	1800	1200	400	SP 184	BS 12040	MP 1812
11	MEDG 18125	1800	1200	500	SP 185	BS 12050	MP 1812
12	MEDG 18126	1800	1200	600	SP 186	BS 12060	MP 1812
13	MEDG 18128	1800	1200	800	SP 188	BS 12080	MP 1812
14	MEDG 18164	1800	1600	400	SP 184	BS 16040	MP 1816
15	MEDG 18165	1800	1600	500	SP 185	BS 16050	MP 1816
16	MEDG 18166	1800	1600	600	SP 186	BS 16060	MP 1816
17	MEDG 18168	1800	1600	800	SP 188	BS 16080	MP 1816
18	MEDG 20124	2000	1200	400	SP 204	BS 12040	MP 2012
19	MEDG 20125	2000	1200	500	SP 205	BS 12050	MP 2012
20	MEDG 20126	2000	1200	600	SP 206	BS 12060	MP 2012
21	MEDG 20128	2000	1200	800	SP 208	BS 12080	MP 2012
22	MEDG 20164	2000	1600	400	SP 204	BS 16040	MP 2016
23	MEDG 20165	2000	1600	500	SP 205	BS 16050	MP 2016
24	MEDG 20166	2000	1600	600	SP 206	BS 16060	MP 2016
25	MEDG 20168	2000	1600	800	SP 208	BS 16080	MP 2016
26	MEDG 22126	2200	1200	600	SP 226	BS 12060	MP 2212
27	MEDG 22128	2200	1200	800	SP 228	BS 12080	MP 2212

Note:

1. Side Panel 2pcs/set
2. Galvanized Steel Mounting Plate

## ME Series 19" Rack Accessories



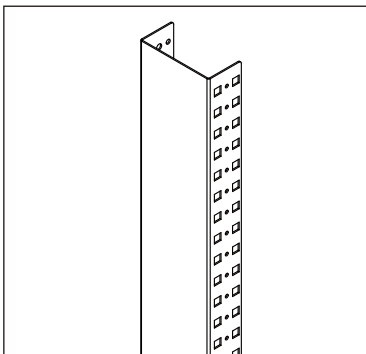
19" Rack Frame

### For Enclosure Height 600mm and 700mm

NO.		Catalog Number	Rack Unit
1	1400mm	MR 14	29
2	1600mm	MR 16	33
3	1800mm	MR 18	38
4	2000mm	MR 20	42
5	2200mm	MR 22	47

\* 2pcs per set

\* Color: RAL 7035



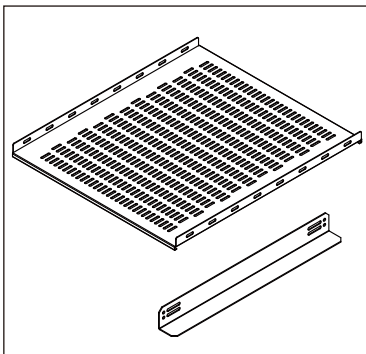
Rack Adapter

### Rack Adapter, with Enclosure width more then 800mm

NO.		Catalog Number	Rack Adapter
1	800mm	MR 198	MRA 8
2	900mm	MR 199	MRA 9
3	1000mm	MR 1910	MRA 10

\* 2pcs per set

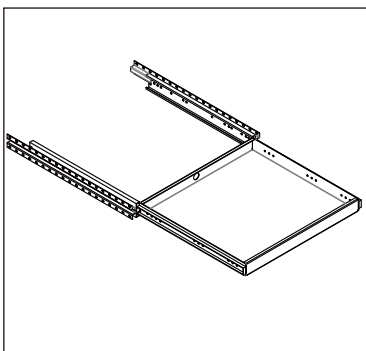
\* Color: RAL 7035



Rack Fixed Shelf

### 19" Rack Fixed Shelf

NO.	W(mm)	D(mm)	Catalog Number
1	477	349	MRFS 19D3
2	477	449	MRFS 19D4
3	477	649	MRFS 19D6
4	477	749	MRFS 19D7



Rack Pull-Out Shelf

### 19" Rack Pull-Out Shelf

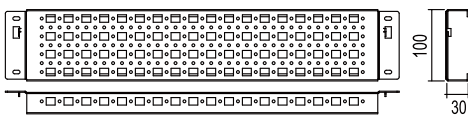
NO.	W(mm)	D(mm)	Catalog Number
1	477	349	MROS 19D3
2	477	449	MROS 19D4
3	477	649	MROS 19D6
4	477	749	MROS 19D7

# ME Series Accessories

## Quick Fix Grid Rails

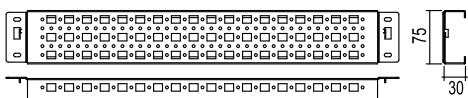
### 4 Rows of Holes

NO.	Catalog Number	ME Depth/Width	A (mm)	Packs of
1	MEGQ 400100	400	292	2
2	MEGQ 500100	500	392	2
3	MEGQ 600100	600	492	2
4	MEGQ 700100	700	592	2
5	MEGQ 800100	800	692	2
6	MEGQ 900100	900	792	2



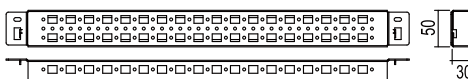
### 3 Rows of Holes

NO.	Catalog Number	ME Depth/Width	A (mm)	Packs of
1	MEGQ 40075	400	292	2
2	MEGQ 50075	500	392	2
3	MEGQ 60075	600	492	2
4	MEGQ 70075	700	592	2
5	MEGQ 80075	800	692	2
6	MEGQ 90075	900	792	2



### 2 Rows of Holes

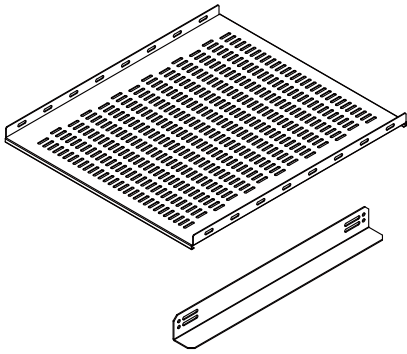
NO.	Catalog Number	ME Depth/Width	A (mm)	Packs of
1	MEGQ 40050	400	292	2
2	MEGQ 50050	500	392	2
3	MEGQ 60050	600	492	2
4	MEGQ 70050	700	592	2
5	MEGQ 80050	800	692	2
6	MEGQ 90050	900	792	2



### 1 Rows of Holes

NO.	Catalog Number	ME Depth/Width	A (mm)	Packs of
1	MEGQ 40025	400	292	2
2	MEGQ 50025	500	392	2
3	MEGQ 60025	600	492	2
4	MEGQ 70025	700	592	2
5	MEGQ 80025	800	692	2
6	MEGQ 90025	900	792	2

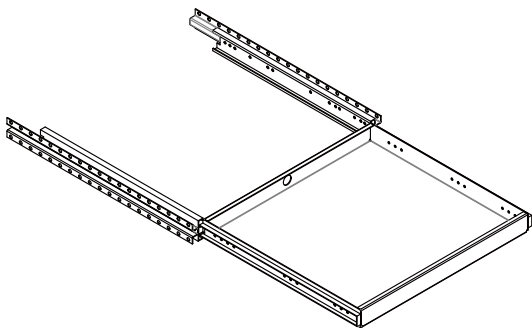




Material: Mild Steel  
 Finish: RAL 7035  
 Max Load:

## FIXED SHELF

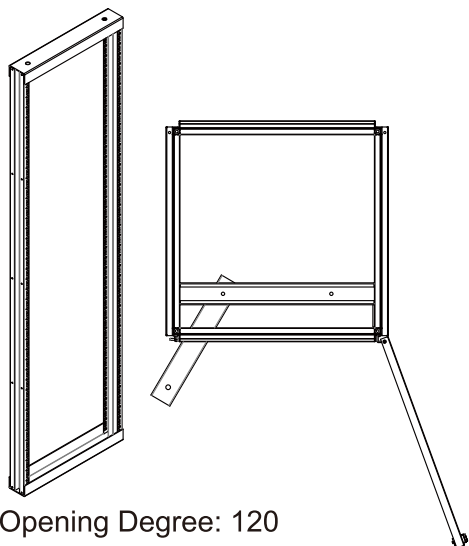
NO.	Catalog Number	Dimensions		Accutual Dimensions	
		W(mm)	D(mm)	W(mm)	D(mm)
1	MFS 0604	600	400		
2	MFS 0605	600	500		
3	MFS 0606	600	600		
4	MFS 0608	600	800		
5	MFS 0804	800	400		
6	MFS 0805	800	500		
7	MFS 0806	800	600		
8	MFS 0808	800	800		
9	MFS 1004	1000	400		
10	MFS 1005	1000	500		
11	MFS 1006	1000	600		
12	MFS 1008	1000	800		



Material: Mild Steel  
 Finish: RAL 7035  
 Max Load:

## PULL OUT SHELF

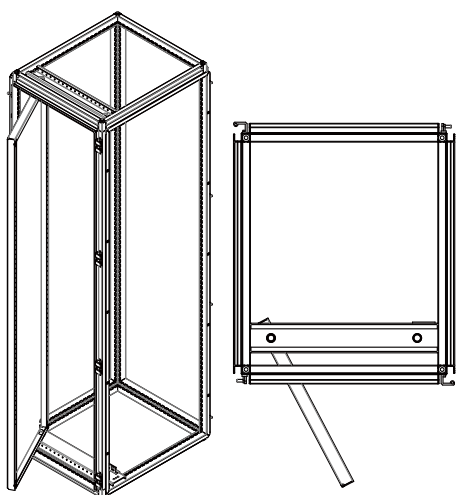
NO.	Catalog Number	Dimensions		Accutual Dimensions	
		H(mm)	W(mm)	W(mm)	D(mm)
1	MOS 0604	600	400		
2	MOS 0605	600	500		
3	MOS 0606	600	600		
4	MOS 0608	600	800		
5	MOS 0804	800	400		
6	MOS 0805	800	500		
7	MOS 0806	800	600		
8	MOS 0808	800	800		
9	MOS 1004	1000	400		
10	MOS 1005	1000	500		
11	MOS 1006	1000	600		
12	MOS 1008	1000	800		



Opening Degree: 120  
Max Load: 190kg  
Finish: RAL7035

## SWING OUT FRAME

NO.	Catalog Number	Dimensions		Rack Unit
		H(mm)	W(mm)	
1	MOF 166	1600	600	30
2	MOF 168	1600	800	30
3	MOF 1610	1600	1000	30
4	MOF 186	1800	600	35
5	MOF 188	1800	800	35
6	MOF 1810	1800	1000	35
7	MOF 206	2000	600	39
8	MOF 208	2000	800	39
9	MOF 2010	2000	1000	39
10	MOF 226	2200	600	44
11	MOF 227	2200	700	44
12	MOF 228	2200	800	44
13	MOF 2210	2200	1000	44



Opening Degree: 120  
Max Load: 190kg  
Finish: RAL7035

## SWING OUT MOUNTING PLATE

NO.	Catalog Number	Dimensions		Mounting Plate Dimensions
		H(mm)	W(mm)	
1	MSP 166	1600	600	
2	MSP 168	1600	800	
3	MSP 186	1800	600	
4	MSP 188	1800	800	
5	MSP 206	2000	600	
6	MSP 208	2000	800	
7	MSP 226	2200	600	
8	MSP 227	2200	700	
9	MSP 228	2200	800	





## Joining Bracket

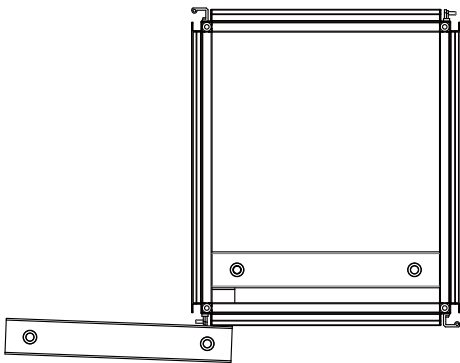
Joining Bracket made of cool roll steel with zinc plated, one set with 6pcs

NO.	Catalogue Number
1	CS009JBK



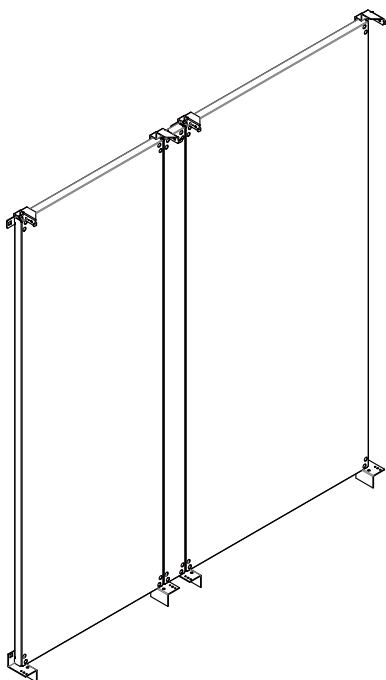
## Top Joining Bracket

NO.	Catalogue Number
1	CS009TJB



## 180 Degree Swing Frame Kit

NO.	Catalogue Number
1	CS010SFK



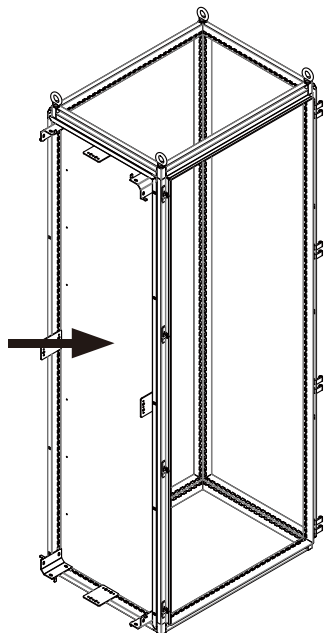
## Joining Sub Mounting Plate

NO.	Catalogue Number	H(mm)
1	JMP 16	1600
2	JMP 17	1700
3	JMP 18	1800
4	JMP 19	1900
5	JMP 20	2000
6	JMP 21	2100
7	JMP 22	2200



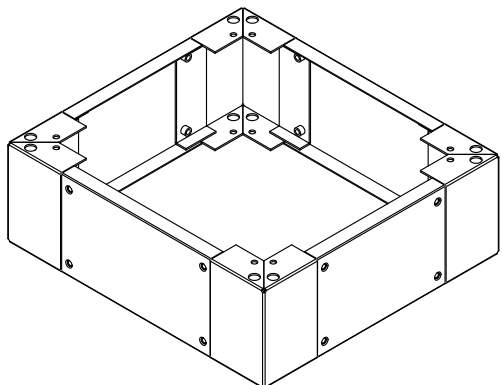
## Side Mounting Plate

NO.	Catalog Number	Dimensions H(mm) W(mm)		NO.	Catalog Number	Dimensions H(mm) W(mm)	
1	SMP 164	1600	400	9	SMP 204	2000	400
2	SMP 165	1600	500	10	SMP 205	2000	500
3	SMP 166	1600	600	11	SMP 206	2000	600
4	SMP 168	1600	800	12	SMP 208	2000	800
5	SMP 184	1800	400	13	SMP 224	2200	400
6	SMP 185	1800	500	14	SMP 225	2200	500
7	SMP 186	1800	600	15	SMP 226	2200	600
8	SMP 188	1800	800	16	SMP 228	2200	800



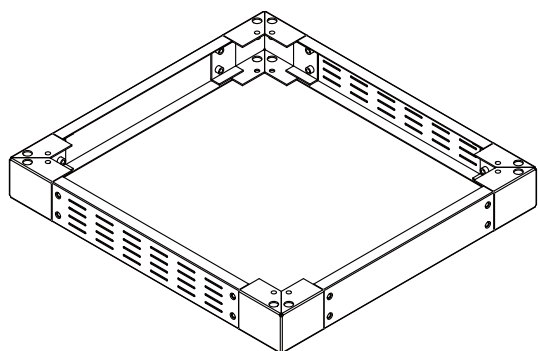
## Divider Mounting Plate

NO.	Catalog Number	Dimensions H(mm) W(mm)		NO.	Catalog Number	Dimensions H(mm) W(mm)	
1	DMP 164	1600	400	9	DMP 204	2000	400
2	DMP 165	1600	500	10	DMP 205	2000	500
3	DMP 166	1600	600	11	DMP 206	2000	600
4	DMP 168	1600	800	12	DMP 208	2000	800
5	DMP 184	1800	400	13	DMP 224	2200	400
6	DMP 185	1800	500	14	DMP 225	2200	500
7	DMP 186	1800	600	15	DMP 226	2200	600
8	DMP 188	1800	800	16	DMP 228	2200	800



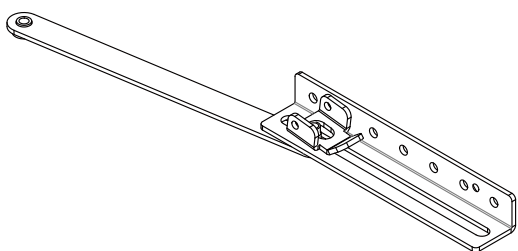
## 200mm Base/Plinth

NO.	Catalog Number	Dimensions H(mm) W(mm)		NO.	Catalog Number	Dimensions H(mm) W(mm)	
1	BSD 6040	600	400	7	BSD 8060	800	600
2	BSD 6050	600	500	8	BSD 8080	800	800
3	BSD 6060	600	600	9	BSD 10040	1000	400
4	BSD 6080	600	800	10	BSD 10050	1000	500
5	BSD 8040	800	400	11	BSD 10060	1000	600
6	BSD 8050	800	500	12	BSD 10080	1000	800



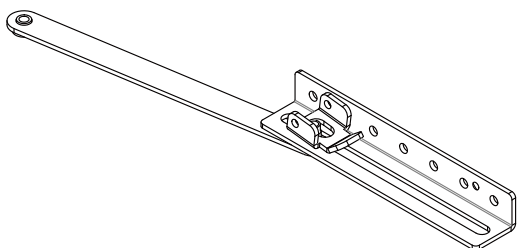
## Vented Base/Plinth

NO.	Catalog Number	Dimensions H(mm) W(mm)		NO.	Catalog Number	Dimensions H(mm) W(mm)	
1	BSV 6040	600	400	7	BSV 8060	800	600
2	BSV 6050	600	500	8	BSV 8080	800	800
3	BSV 6060	600	600	9	BSV 10040	1000	400
4	BSV 6080	600	800	10	BSV 10050	1000	500
5	BSV 8040	800	400	11	BSV 10060	1000	600
6	BSV 8050	800	500	12	BSV 10080	1000	800



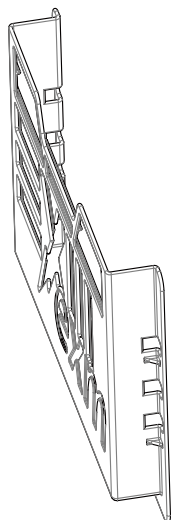
## Door Stop

NO.	Catalogue Number
1	CS006DS



## Door Stop for Swing Frame

NO.	Catalogue Number
1	CS007DSSF



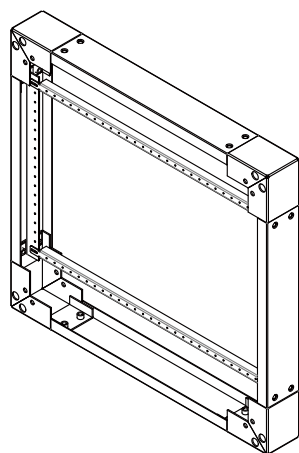
## Data Pocket

NO.	Catalogue Number
1	CS005Data



## Casters

NO.	Catalogue Number
1	CS008A
2	CS008B



## Cable Claim

NO.	Catalogue Number
1	CS008A
2	CS008B



## CO Series One-Piece Desk Consoles

### IP55



#### **C**onstruction

- 1.5mm steel body, doors and sloped top door
- 2.0mm galvanized mounting panel
- Seams continuously welded
- High quality automatic seamless foam-in-place gasket
- Heavy-duty hinges
- Quarter-turn lock(s) for top door
- Grounding studs on body and door

#### **F**inish

- RAL 7032 power coating, RAL 7035 and other color available
- Mounting plate in galvanized finish



#### **S**tandard

- IP55, IEC 60529
- RoHS Compliant
- CE

#### **C**ustom Enclosures

Nonstone offers high quality custom enclosures and modification services at competitive price. For information, please contact your NonStone representative.

- Other finish color and textures
- Cutouts and special holes in body and doors.
- Custom doors
- Custom body
- Special or custom accessories

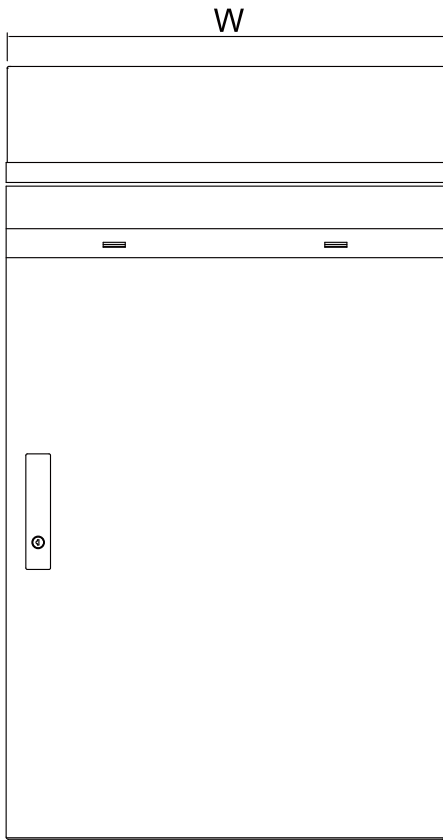


## Single-Bay

NO.	Catalog Number	Dimensions		
		H(mm)	W(mm)	D(mm)
1	CO 1006050	1000	600	500
2	CO 1008050	1000	800	500

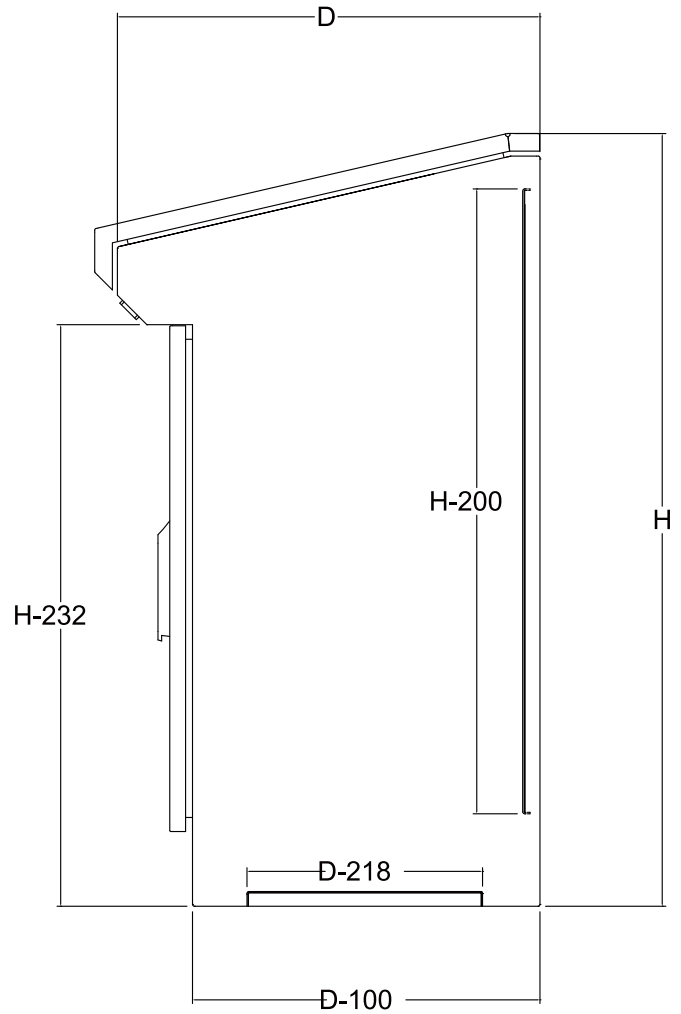
NO.	H(mm)	W(mm)	D(mm)
5	SCO	Custom Dimensions	

Custom sizes, cut-outs available on request.



## Double-Bay

NO.	Catalog Number	Dimensions		
		H(mm)	W(mm)	D(mm)
3	CO 10010050	1000	1000	500
4	CO 10012050	1000	1200	500



	Consoles	Upper Door	Lower Door	Gland Plate	Mounting Plate
H	H	24	H-239	15	H-200
W	W	W-3	W-3	W-90	W-50
D	D	D-3	24	D-218	10

## FS Series Free Standing Enclosures

IP66, CE



### Construction

- 1.5mm-2.0mm mild steel for door and body
- 2.0mm galvanized mounting plate
- High quality automatic seamless foam-in-place gasket
- All continuous welded seams are finished smooth
- 130 degree heavy-duty hinges
- Grounding studs on body and door
- Quarter-turn lock
- Eye bolts

### Finish

- RAL 7035 power coating, RAL 7032 and other color available
- Mounting plate in galvanized finish



### Industry Standard

#### FS Series

- IP66, IEC 60529
- RoHS Compliant
- REACH Compliant
- CE

### Custom Enclosures

Nonstone offers high quality custom enclosures and modification services at competitive price. For information, please contact your NonStone representative.

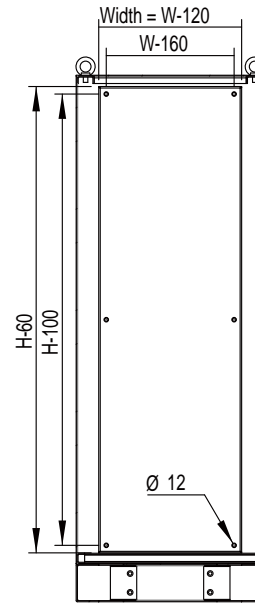
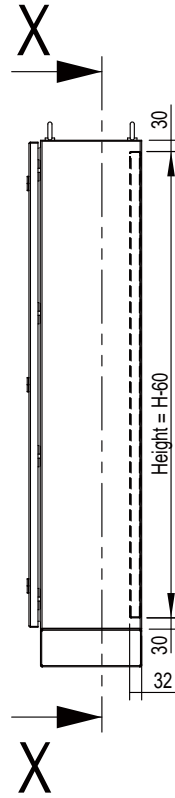
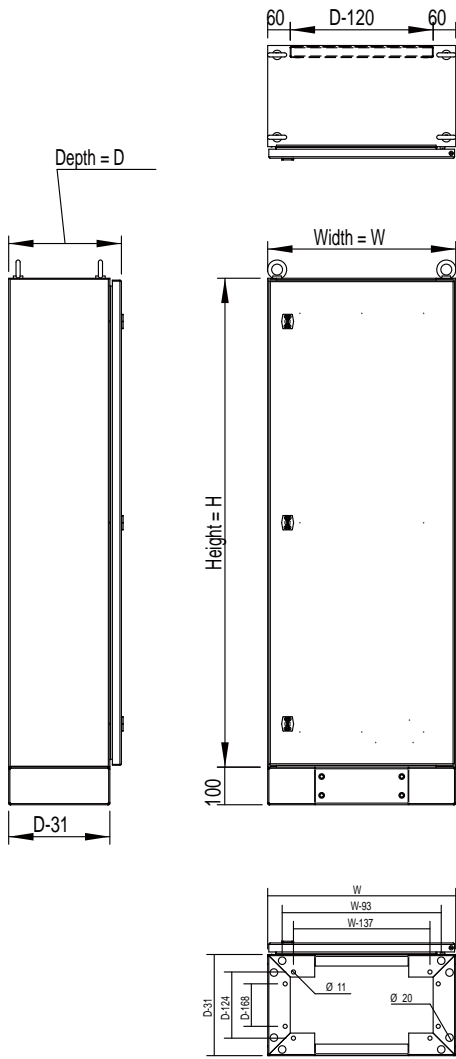
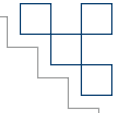
- Other finish color and textures
- Cutouts and special holes in body and doors.
- Custom doors
- Custom body
- Special or custom accessories



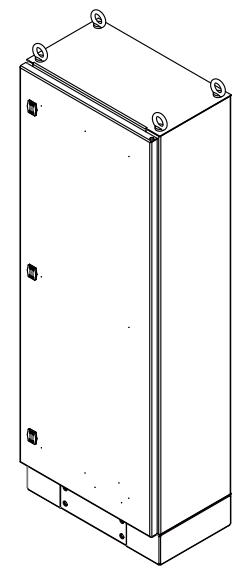
NO.	Catalog Number	H(mm)	W(mm)	D(mm)	NO.	Catalog Number	H(mm)	W(mm)	D(mm)
1	FS 1305030	1300	500	300	49	FS 1706060	1700	600	600
2	FS 1305040	1300	500	400	50	FS 1707040	1700	700	400
3	FS 1306030	1300	600	300	51	FS 1707050	1700	700	500
4	FS 1306040	1300	600	400	52	FS 1707060	1700	700	600
5	FS 1306050	1300	600	500	53	FS 1708050	1700	800	500
6	FS 1306060	1300	600	600	54	FS 1708060	1700	800	600
7	FS 1307040	1300	700	400	55	FS 1708080	1700	800	800
8	FS 1307050	1300	700	500	56	FS 1804348	1800	435	483
9	FS 1307060	1300	700	600	57	FS 1806040	1800	600	400
10	FS 1308030	1300	800	300	58	FS 1806050	1800	600	500
11	FS 1308040	1300	800	400	59	FS 1806060	1800	600	600
12	FS 1308050	1300	800	500	60	FS 1807050	1800	700	500
13	FS 1308060	1300	800	600	61	FS 1807060	1800	700	600
14	FS 1406030	1400	600	300	62	FS 1807070	1800	700	700
15	FS 1406040	1400	600	400	63	FS 1808040	1800	800	400
16	FS 1406050	1400	600	500	64	FS 1808050	1800	800	500
17	FS 1406060	1400	600	600	65	FS 1808060	1800	800	600
18	FS 1407040	1400	700	400	66	FS 1808080	1800	800	800
19	FS 1407050	1400	700	500	67	FS 1906050	1900	600	500
20	FS 1407060	1400	700	600	68	FS 1906060	1900	600	600
21	FS 1408030	1400	800	300	69	FS 1906080	1900	600	800
22	FS 1408040	1400	800	400	70	FS 1907050	1900	700	500
23	FS 1408050	1400	800	500	71	FS 1907060	1900	700	600
24	FS 1408060	1400	800	600	72	FS 1907070	1900	700	700
25	FS 1408080	1400	800	800	73	FS 1908050	1900	800	500
26	FS 1506030	1500	600	300	74	FS 1908060	1900	800	600
27	FS 1506040	1500	600	400	75	FS 1908080	1900	800	800
28	FS 1506050	1500	600	500	76	FS 2006050	2000	600	500
29	FS 1506060	1500	600	600	77	FS 2006060	2000	600	600
30	FS 1507040	1500	700	400	78	FS 20060100	2000	600	1000
31	FS 1507050	1500	700	500	79	FS 2008050	2000	800	500
32	FS 1507060	1500	700	600	80	FS 2008060	2000	800	600
33	FS 1508030	1500	800	300	81	FS 2008080	2000	800	800
34	FS 1508040	1500	800	400	82	FS 20080100	2000	800	1000
35	FS 1508050	1500	800	500	83	FS 2108060	2100	800	600
36	FS 1508060	1500	800	600	84	FS 2108080	2100	800	800
37	FS 1508080	1500	800	800	85	FS 21080100	2100	800	1000
38	FS 1606040	1600	600	400	86	FS 21010050	2100	1000	500
39	FS 1606050	1600	600	500	87	FS 21010080	2100	1000	800
40	FS 1606060	1600	600	600	88	FS 210100100	2100	1000	1000
41	FS 1607040	1600	700	400	89	FS 2208080	2200	800	800
42	FS 1607050	1600	700	500	90	FS 22010080	2200	1000	800
43	FS 1607060	1600	700	600	91	FS 220100100	2200	1000	1000
44	FS 1608050	1600	800	500	92	SFS Custom Dimensions			
45	FS 1608060	1600	800	600					
46	FS 1608080	1600	800	800					
47	FS 1706040	1700	600	400					
48	FS 1706050	1700	600	500					

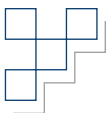
Special/Custom sizes, cut-outs available on request.



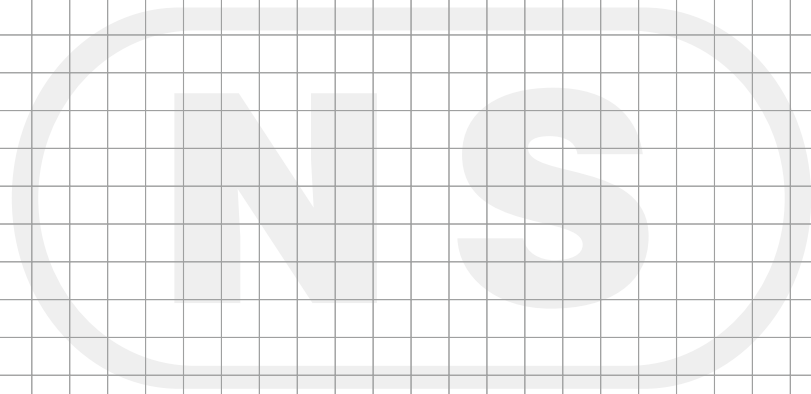


Section View X-X





Notes:





## AL Series Wall Mount Enclosures

### Single-Door, IP66



#### **C**onstruction

- 14 gauge or 16 gauge aluminum
- 12 gauge galvanized mounting panel
- High quality automatic seamless foam-in-place gasket
- Seams continuously welded
- Door opening 100°
- Quarter-turn lock
- Three-point lock on larger enclosures
- Heavy-duty hinge
- Grounding studs on body and door

#### **F**inish

- RAL 7032 power coating, RAL 7035 and other color available
- Mounting plate in galvanized finish

#### **S**tandard

##### AL Series, single-door

- IP66, IEC 60529
- RoHS Compliant
- CE

#### **C**ustom Enclosures

Nonstone offers high quality custom enclosures and modification services at competitive price. For information, please contact your NonStone representative.

- Other finish color and textures
- Cutouts and special holes in body and doors.
- Custom doors
- Custom body
- Special or custom accessories



## AL Single-Door

NO.	Catalog Number	Dimensions		
		H(mm)	W(mm)	D(mm)
1	AL 202015	200	200	150
2	AL 302015	300	200	150
3	AL 302515	300	250	150
4	AL 302520	300	250	200
5	AL 303015	300	300	150
6	AL 303020	300	300	200
7	AL 304015	300	400	150
8	AL 304020	300	400	200
9	AL 403015	400	300	150
10	AL 403020	400	300	200
11	AL 404020	400	400	200
12	AL 406020	400	600	200
13	AL 406025	400	600	250
14	AL 406030	400	600	300
15	AL 503015	500	300	150
16	AL 503020	500	300	200
17	AL 504015	500	400	150
18	AL 504020	500	400	200
19	AL 504025	500	400	250
20	AL 505020	500	500	200
21	AL 505025	500	500	250
22	AL 507020	500	700	200
23	AL 507025	500	700	250
24	AL 604020	600	400	200
25	AL 604025	600	400	250
26	AL 604030	600	400	300

## ALDD Double-Door

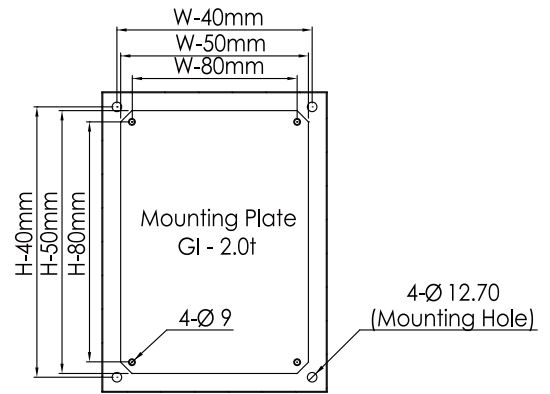
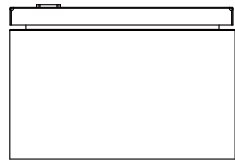
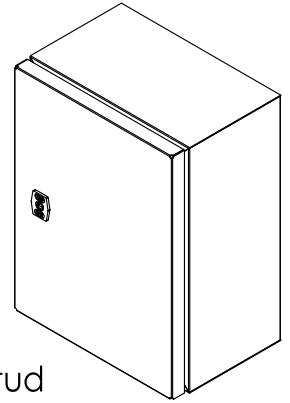
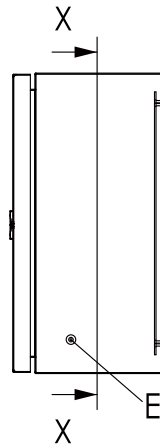
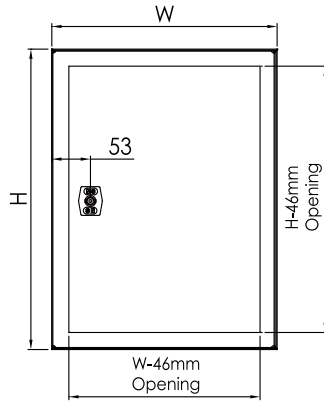
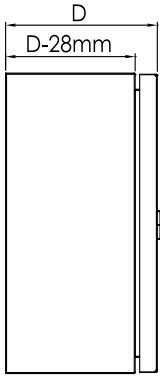
NO.	Catalog Number	Dimensions		
		H(mm)	W(mm)	D(mm)
1	ALDD 608025	600	800	250
2	ALDD 608030	600	800	300
3	ALDD 8010020	800	1000	200
4	ALDD 8010025	800	1000	250
5	ALDD 8010030	800	1000	300
6	ALDD 10010025	1000	1000	250
7	ALDD 10010030	1000	1000	300
8	ALDD 12010025	1200	1000	250
9	ALDD 12010030	1200	1000	300
10	ALDD 14012040	1400	1200	400
11	ALDD 14012050	1400	1200	500

NO.	Catalog Number	Dimensions		
		H(mm)	W(mm)	D(mm)
27	AL 605020	600	500	200
28	AL 605025	600	500	250
29	AL 606020	600	600	200
30	AL 606025	600	600	250
31	AL 606030	600	600	300
32	AL 705020	700	500	200
33	AL 705025	700	500	250
34	AL 806020	800	600	200
35	AL 806025	800	600	250
36	AL 806030	800	600	300
37	AL 808025	800	800	250
38	AL 808030	800	800	300
39	AL 1006025	1000	600	250
40	AL 1006030	1000	600	300
41	AL 1006040	1000	600	400
42	AL 1008025	1000	800	250
43	AL 1008030	1000	800	300
44	AL 1206030	1200	600	300
45	AL 1206040	1200	600	400
46	AL 1208030	1200	800	300

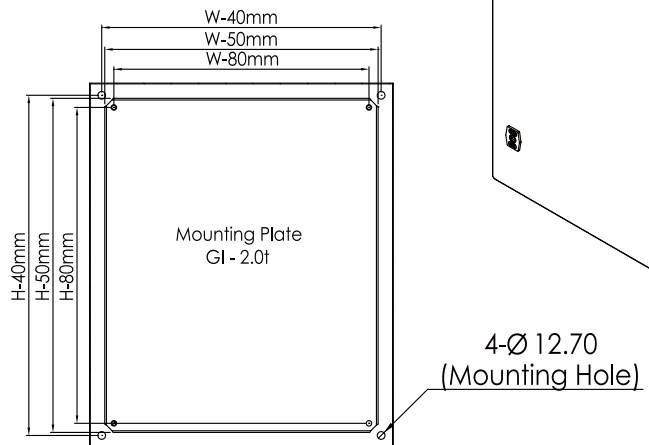
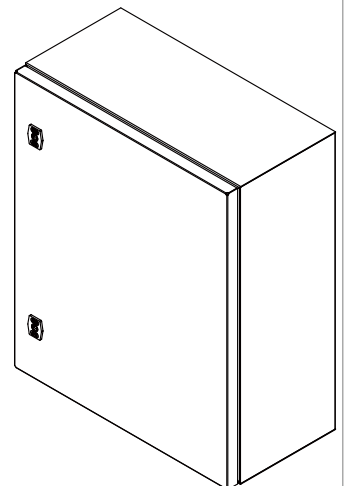
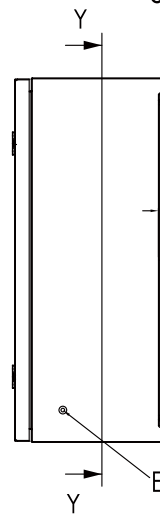
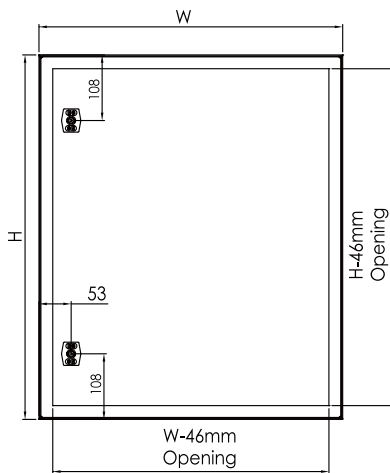
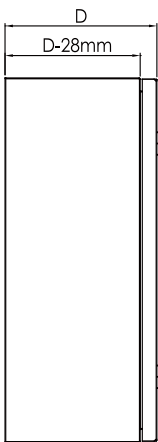
NO.	H(mm) W(mm) D(mm)		
47	SAL	Custom Dimensions	

Custom sizes, cut-outs available on request.

**NS**



Section View X-X



Section View Y-Y

H & W < 1000mm, h = 13.5mm  
H or W ≥ 1000mm, h = 26 mm

Multi-folded edge provides additional strength for enclosures body and prevents dirt and water fall in when the enclosure is opened.

High quality seamless foamed-in-place gasket.

All continuous welded seams are finished smooth.

Heavy duty die casting locks.

Mounting plate is made of galvanized steel.

Heavy duty die casting hinge.



## **NS Series** Wall Mount Enclosure



## NS Series Wall Mount Enclosures

### NS Single-Door, IP66



#### **C**onstruction

- 14 gauge or 16 gauge steel
- 12 gauge galvanized mounting panel
- High quality automatic seamless foam-in-place gasket
- Seams continuously welded
- All continuous welded seams are finished smooth
- Door opening 100°
- Quarter-turn lock
- Three-point lock on larger enclosures
- Heavy-duty hinge
- Grounding studs on body and door



#### **F**inish

- RAL 7032 power coating, RAL 7035 and other color available.
- Mounting plate in galvanized finish

#### **S**tandard

##### **NS Series, single-door**

- IP66, IEC 60529
- RoHS Compliant
- CE

##### **NSDD Series, double-door**

- IP55, IEC 60529
- RoHS Compliant
- CE

### NSDD Double-Door, IP55



#### **C**ustom Enclosures

Nonstone offers high quality custom enclosures and modification services at competitive price. For information, please contact your NonStone representative.

- Other finish color and textures
- Cutouts and special holes in body and doors.
- Custom doors
- Custom body
- Special or custom accessories

## NS Single-Door

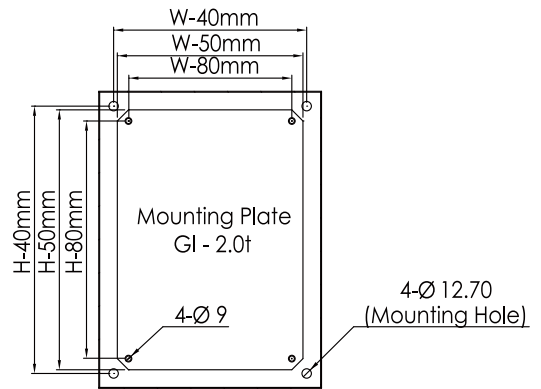
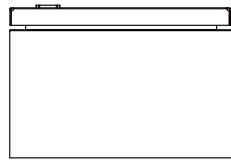
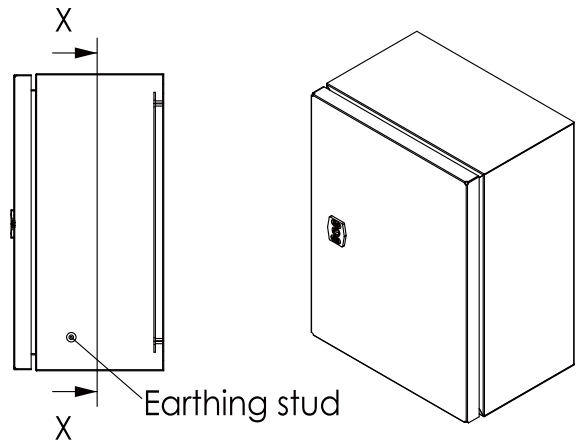
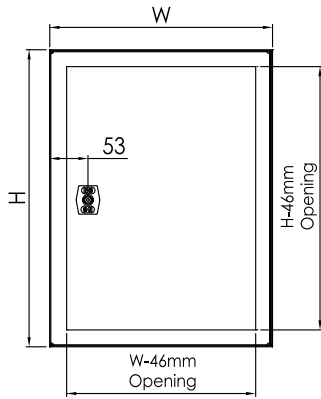
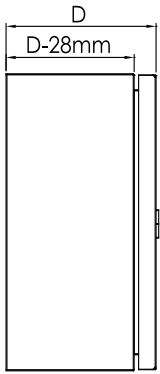
NO.	Catalog Number	Dimensions		
		H(mm)	W(mm)	D(mm)
1	NS 202015	200	200	150
2	NS 302015	300	200	150
3	NS 302515	300	250	150
4	NS 302520	300	250	200
5	NS 303015	300	300	150
6	NS 303020	300	300	200
7	NS 304015	300	400	150
8	NS 304020	300	400	200
9	NS 403015	400	300	150
10	NS 403020	400	300	200
11	NS 404020	400	400	200
12	NS 406020	400	600	200
13	NS 406025	400	600	250
14	NS 406030	400	600	300
15	NS 503015	500	300	150
16	NS 503020	500	300	200
17	NS 504015	500	400	150
18	NS 504020	500	400	200
19	NS 504025	500	400	250
20	NS 505020	500	500	200
21	NS 505025	500	500	250
22	NS 507020	500	700	200
23	NS 507025	500	700	250
24	NS 604020	600	400	200
25	NS 604025	600	400	250
26	NS 604030	600	400	300

NO.	Catalog Number	Dimensions		
		H(mm)	W(mm)	D(mm)
27	NS 605020	600	500	200
28	NS 605025	600	500	250
29	NS 606020	600	600	200
30	NS 606025	600	600	250
31	NS 606030	600	600	300
32	NS 705020	700	500	200
33	NS 705025	700	500	250
34	NS 806020	800	600	200
35	NS 806025	800	600	250
36	NS 806030	800	600	300
37	NS 808025	800	800	250
38	NS 808030	800	800	300
39	NS 1006025	1000	600	250
40	NS 1006030	1000	600	300
41	NS 1006040	1000	600	400
42	NS 1008025	1000	800	250
43	NS 1008030	1000	800	300
44	NS 1206030	1200	600	300
45	NS 1206040	1200	600	400
46	NS 1208030	1200	800	300

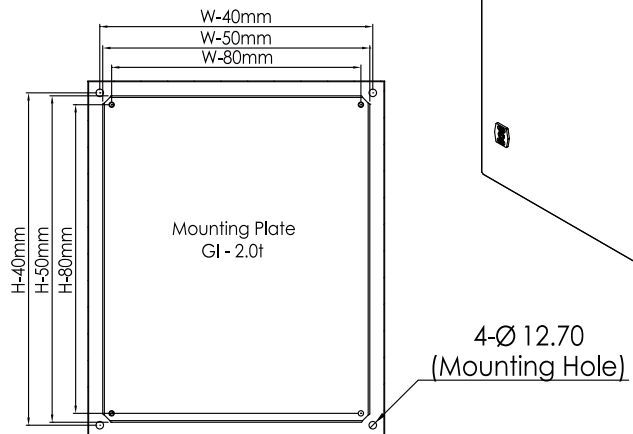
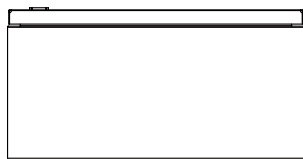
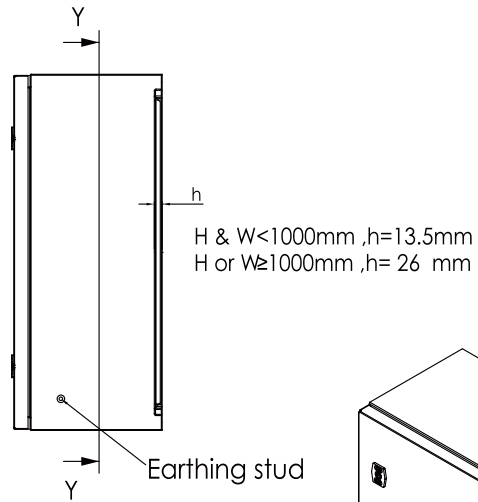
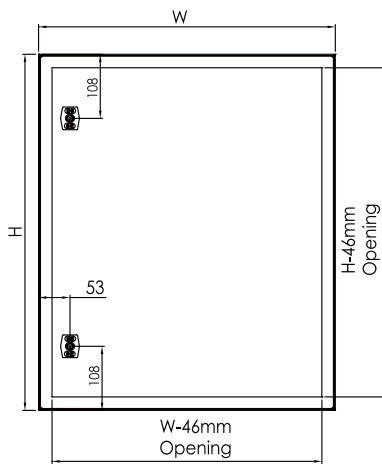
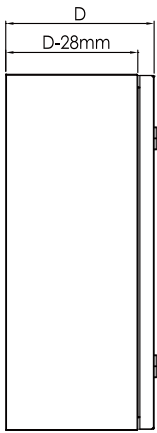
NO.	Dimensions		
	H(mm)	W(mm)	D(mm)
47	SNS Custom Dimensions		

Custom sizes, cut-outs available on request.





Section View X-X



Section View Y-Y

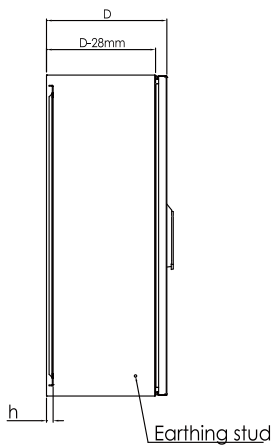
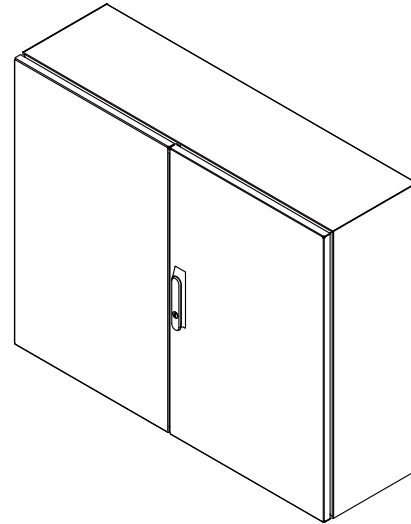
## NSDD Double-Door

NO.	Catalog Number	Dimensions		
		H(mm)	W(mm)	D(mm)
1	NSDD 608025	600	800	250
2	NSDD 608030	600	800	300
3	NSDD 8010020	800	1000	200
4	NSDD 8010025	800	1000	250
5	NSDD 8010030	800	1000	300
6	NSDD 10010025	1000	1000	250
7	NSDD 10010030	1000	1000	300
8	NSDD 12010025	1200	1000	250
9	NSDD 12010030	1200	1000	300
10	NSDD 14012040	1400	1200	400
11	NSDD 14012050	1400	1200	500

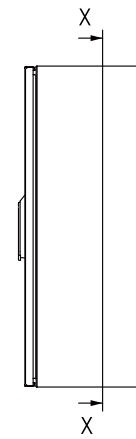
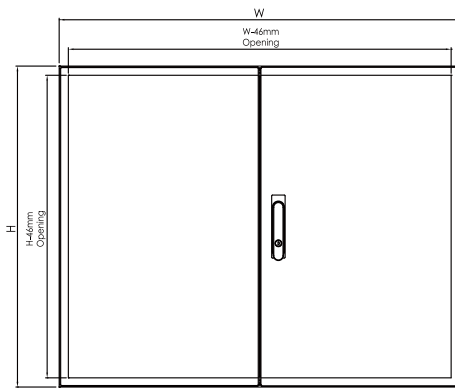
NO. H(mm) W(mm) D(mm)

12 SNSDD Custom Dimensions

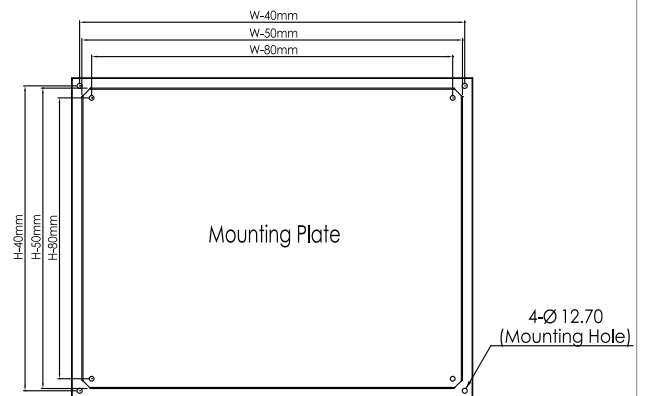
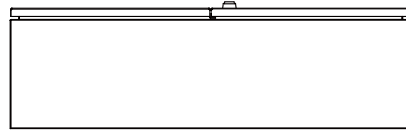
Special/Custom sizes, cut-outs available on request.



Earthing stud



H & W < 1000mm, h = 13.5mm  
H or W ≥ 1000mm, h = 26 mm



Section View X-X

# NSW Series Window Enclosures

IP65, CE

## NSW



### Construction

- 5mm tempered glass
- 14 gauge or 16 gauge steel
- 12 gauge galvanized mounting panel
- High quality automatic seamless foam-in-place gasket
- Seams continuously welded
- Door opening 100°
- Quarter-turn lock
- Three-point lock on larger enclosures
- Heavy-duty hinge
- Grounding studs on body and door

## NSWI



### Finish

- RAL 7032 power coating, RAL 7035 and other color available
- Mounting plate in galvanized finish

### Industry Standards

#### NSW Series, single-door

- IP66, IEC 60529
- RoHS Compliant
- CE

### Custom Enclosures

Nonstone offers high quality custom enclosures and modification services at competitive price. For information, please contact your NonStone representative.

- Other finish color and textures
- Cutouts and special holes in body and doors.
- Custom doors
- Custom body
- Special or custom accessories



NO.	Catalog Number	Dimensions		
		H(mm)	W(mm)	D(mm)
1	NSW 303020	300	300	200
2	NSW 304015	300	400	150
3	NSW 304020	300	400	200
4	NSW 403015	400	300	150
5	NSW 403020	400	300	200
6	NSW 404020	400	400	200
7	NSW 406020	400	600	200
8	NSW 406025	400	600	250
9	NSW 406030	400	600	300
10	NSW 503015	500	300	150
11	NSW 503020	500	300	200
12	NSW 504015	500	400	150
13	NSW 504020	500	400	200
14	NSW 504025	500	400	250
15	NSW 505020	500	500	200
16	NSW 505025	500	500	250
17	NSW 507020	500	700	200
18	NSW 507025	500	700	250
19	NSW 604020	600	400	200
20	NSW 604025	600	400	250
21	NSW 604030	600	400	300
22	NSW 605020	600	500	200
23	NSW 605025	600	500	250
24	NSW 606020	600	600	200
25	NSW 606025	600	600	250
26	NSW 606030	600	600	300

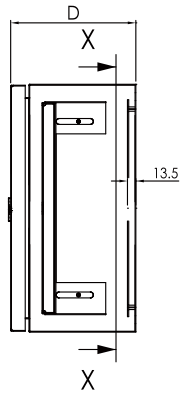
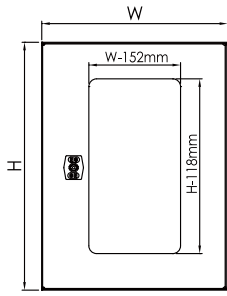
NO.	Catalog Number	Dimensions		
		H(mm)	W(mm)	D(mm)
27	NSW 705020	700	500	200
28	NSW 705025	700	500	250
29	NSW 806020	800	600	200
30	NSW 806025	800	600	250
31	NSW 806030	800	600	300
32	NSW 808025	800	800	250
33	NSW 808030	800	800	250
34	NSW 8010020	800	1000	200
35	NSW 8010030	800	1000	300
36	NSW 1006025	1000	600	250
37	NSW 1006030	1000	600	300
38	NSW 1006040	1000	600	400
39	NSW 1008025	1000	800	250
40	NSW 1008030	1000	800	300
41	NSW 10010030	1000	1000	300
42	NSW 1206030	1200	600	300
43	NSW 1206040	1200	600	400
44	NSW 1208030	1200	800	300
45	NSW 12010025	1200	1000	250
46	NSW 12010030	1200	1000	300

NO.	Catalog Number	Dimensions		
		H(mm)	W(mm)	D(mm)
47	SNSW	Custom Dimensions		

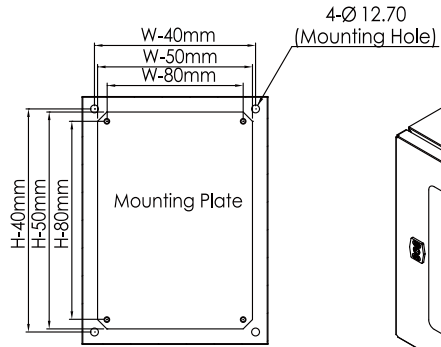
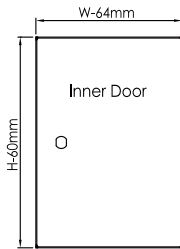
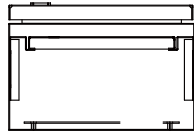
Special/Custom sizes, cut-outs available on request.

- Note:
1. All item above without inner door
  2. Add suffix "I" for Inner Door
  3. Use "NSWDD" for double-door

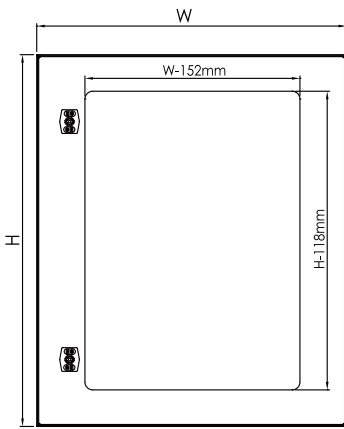
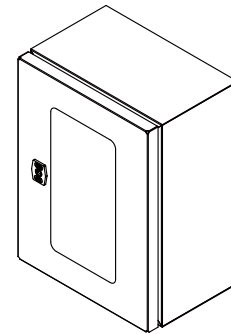
**NS**



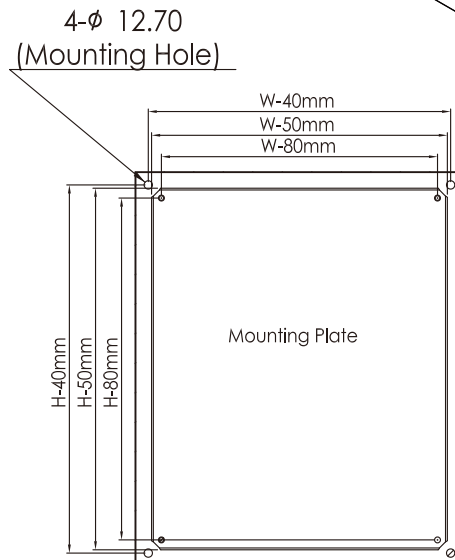
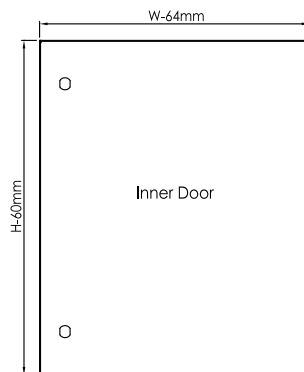
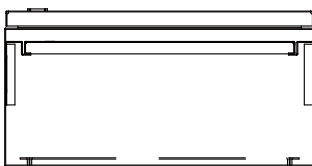
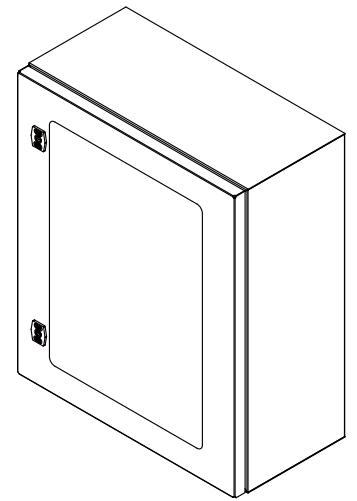
Dimensions	H	W	D
Door	H-3	W-3	24
Window	H-118	W-152	
Glass	H-98	W-132	5
Inner Door	H-60	W-64	20
Mounting Plate	H-50	W-50	10



Section View X-X



H & W < 1000mm, h = 13.5mm  
 H or W ≥ 1000mm, h = 26 mm



Section View Y-Y

High quality seamless, foamed-in-place gasket.

Multi-folded edge provides additional strength for enclosure body and prevents dirt and water fall in when the enclosure is opened.



Mounting plate is made of 2mm zinc-plated sheet.

Heavy-duty die casting locks

Heavy-duty die casting hinges

Gland plate for cable entry.

## ***ES Series***

### Wall Mount Enclosure





## ES Series Wall Mount Enclosure with Gland Plate

### ES Single-Door, IP66



#### Construction

- Gland plate with sealing gasket
- 14 gauge or 16 gauge steel
- 12 gauge galvanized mounting panel
- High quality automatic seamless foam-in-place gasket
- Seams continuously welded
- Door opening 100°
- Quarter-turn lock
- Three-point lock on larger enclosures
- Heavy-duty hinge
- Grounding studs on body and door

#### Finish

- RAL 7032 power coating, RAL7035 and other color available.
- Mounting plate in galvanized finish.

### ESDD Double-Door, IP55



#### Industry Standards

##### ES Series, single-door

- IP66, IEC 60529
- RoHS Compliant
- CE

##### ESDD Series, double-door

- IP55, IEC 60529
- RoHS Compliant
- CE

#### Custom Enclosures

Nonstone offers high quality custom enclosures and modification services at competitive price. For information, please contact your NonStone representative.

- Other finish color and textures
- Cutouts and special holes in body and doors.
- Custom doors
- Custom body
- Special or custom accessories



## ES Single-Door

NO.	Catalog Number	Dimensions			Gland Plate
		H(mm)	W(mm)	D(mm)	
1	ES 202015	200	200	150	ax1
2	ES 302015	300	200	150	ax1
3	ES 302515	300	250	150	ax1
4	ES 302520	300	250	200	ax1
5	ES 303015	300	300	150	bx1
6	ES 303020	300	300	200	bx1
7	ES 304015	300	400	150	ax2
8	ES 304020	300	400	200	cx1
9	ES 403015	400	300	150	bx1
10	ES 403020	400	300	200	bx1
11	ES 404020	400	400	200	cx1
12	ES 406020	400	600	200	dx1
13	ES 406025	400	600	250	dx1
14	ES 406030	400	600	300	dx1
15	ES 503015	500	300	150	bx1
16	ES 503020	500	300	200	bx1
17	ES 504015	500	400	150	ax2
18	ES 504020	500	400	200	cx1
19	ES 504025	500	400	250	cx1
20	ES 505020	500	500	200	cx1
21	ES 505025	500	500	250	cx1
22	ES 507020	500	700	200	dx1
23	ES 507025	500	700	250	dx1
24	ES 604020	600	400	200	cx1
25	ES 604025	600	400	250	cx1
26	ES 604030	600	400	300	cx1

### Gland Plate Dimensions

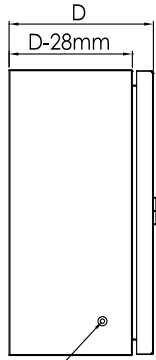
	A(mm)	B(mm)
A	130	60
B	230	60
C	330	120
D	530	120

NO.	Catalog Number	Dimensions			Gland Plate
		H(mm)	W(mm)	D(mm)	
27	ES 605020	600	500	200	cx1
28	ES 605025	600	500	250	cx1
29	ES 606020	600	600	200	dx1
30	ES 606025	600	600	250	dx1
31	ES 606030	600	600	300	dx1
32	ES 705020	700	500	200	cx1
33	ES 705025	700	500	250	cx1
34	ES 806020	800	600	200	dx1
35	ES 806025	800	600	250	dx1
36	ES 806030	800	600	300	dx1
37	ES 808025	800	800	250	cx2
38	ES 808030	800	800	300	cx2
39	ES 1006025	1000	600	250	dx1
40	ES 1006030	1000	600	300	dx1
41	ES 1006040	1000	600	400	dx1
42	ES 1008025	1000	800	250	cx2
43	ES 1008030	1000	800	300	cx2
44	ES 1206030	1200	600	300	dx1
45	ES 1206040	1200	600	400	dx1
46	ES 1208030	1200	800	300	cx2

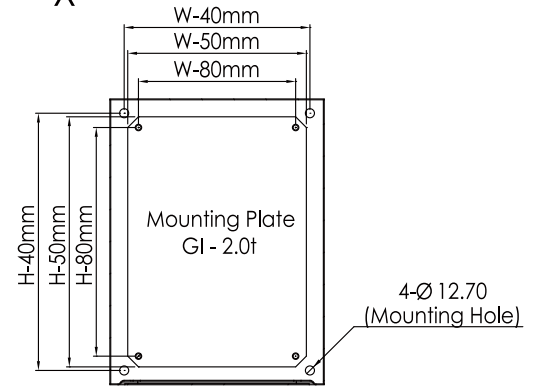
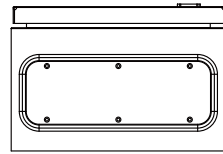
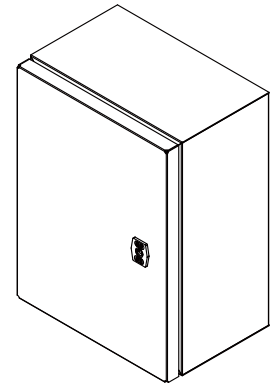
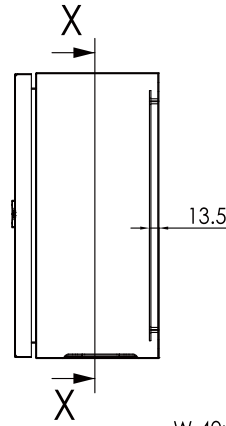
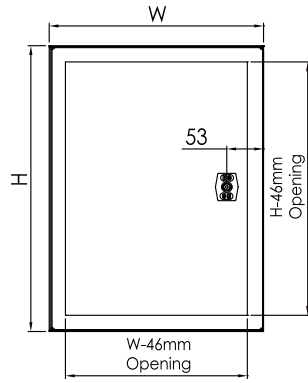
NO.	H(mm) W(mm) D(mm)		
47	SES	Custom Dimensions	

Special/Custom sizes, cut-outs available on request.

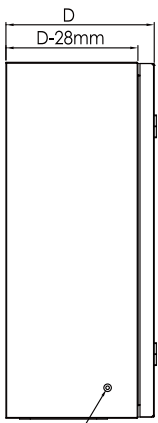




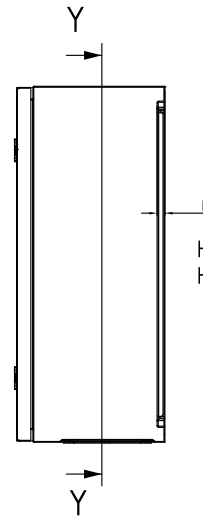
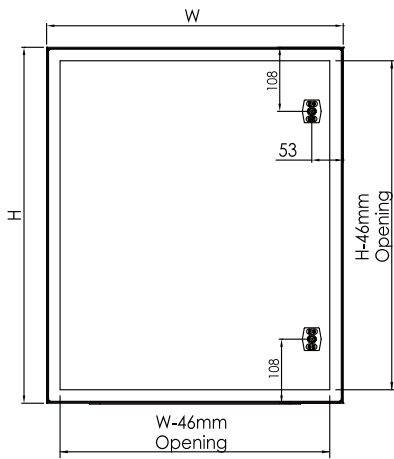
Earthing stud



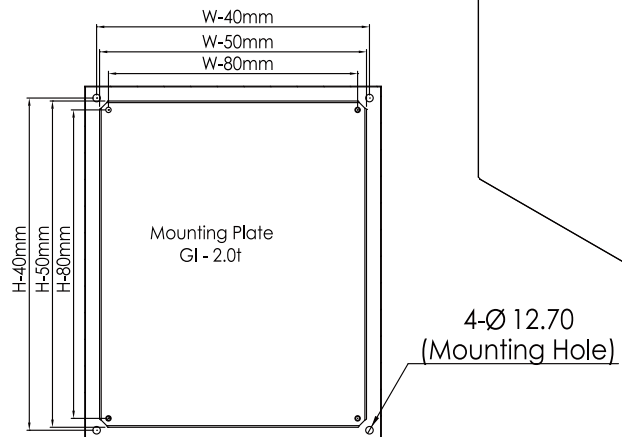
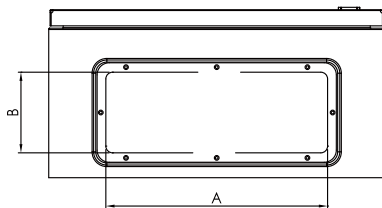
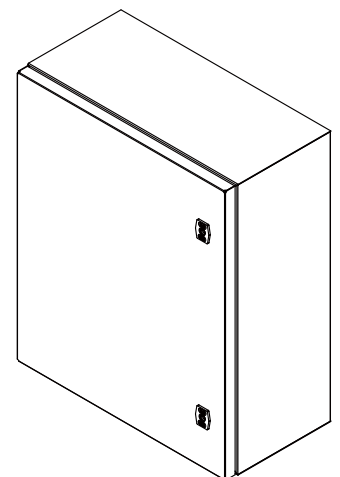
Section View X-X



Earthing stud



H & W < 1000mm, h = 13.5mm  
H or W ≥ 1000mm, h = 26 mm



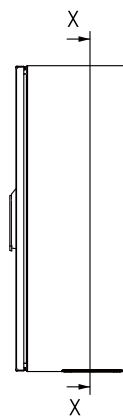
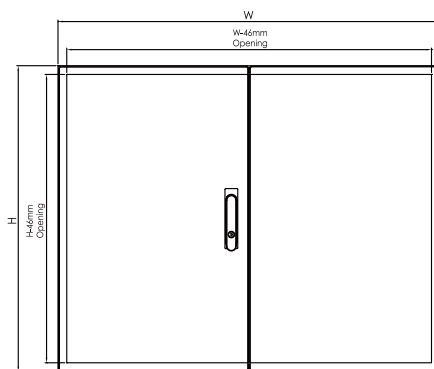
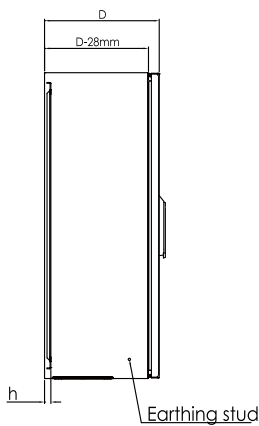
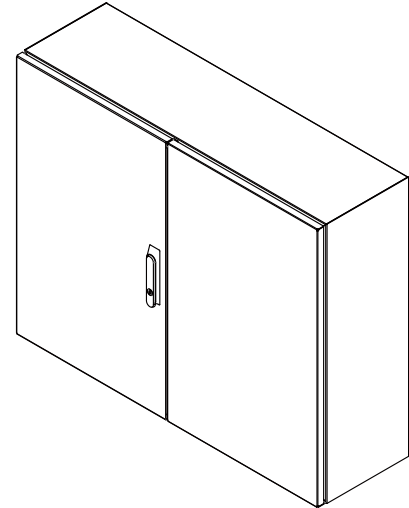
Section View Y-Y

## ES Double-Door

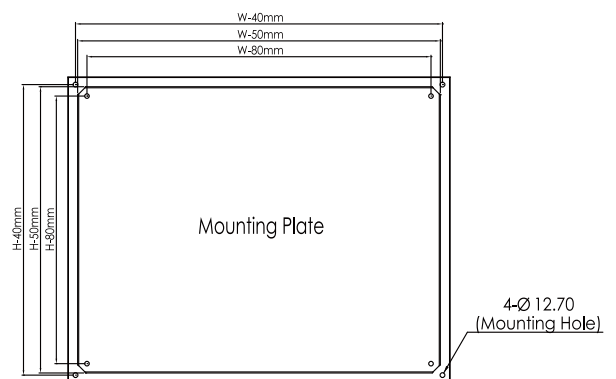
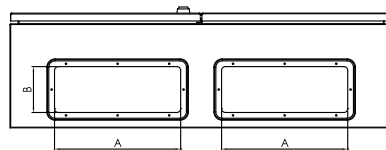
NO.	Catalog Number	Dimensions			Gland Plate
		H(mm)	W(mm)	D(mm)	
1	ESDD 608025	600	800	250	cx2
2	ESDD 608030	600	800	300	cx2
3	ESDD 8010020	800	1000	200	cx2
4	ESDD 8010025	800	1000	250	cx2
5	ESDD 8010030	800	1000	300	cx2
6	ESDD 10010025	1000	1000	250	cx2
7	ESDD 10010030	1000	1000	300	cx2
8	ESDD 12010025	1200	1000	250	cx2
9	ESDD 12010030	1200	1000	300	cx2
10	ESDD 14012040	1400	1200	400	dx2
11	ESDD 14012050	1400	1200	500	dx2

## Gland Plate Dimensions

	A(mm)	B(mm)
A	130	60
B	230	60
C	330	120
D	530	120



H & W < 1000mm, h = 13.5mm  
H or W ≥ 1000mm, h = 26 mm



Section View X-X

# FT Series Wall Mount Enclosures

## Single-Door, IP66, RAL7035 Outdoor



### Construction

- Door: 1.5mm - 1.8mm Mild Steel
- Body: 1.2mm Mild Steel
- 2mm galvanized steel mounting panel
- High quality automatic seamless foam-in-place gasket
- Seams continuously welded
- All continuous welded seams are finished smooth
- Door opening 120°
- Quarter-turn lock
- Heavy-duty hinge
- Grounding studs on body and door

### Finish

- RAL 7035 outdoor power coating
- Mounting plate in galvanized finish



### Standards

#### FT Series, single-door

- IP66, IEC 60529
- RoHS Compliant
- REACH Compliant

CE

### Custom Enclosures

Nonstone offers high quality custom enclosures and modification services at competitive price.

For information, please contact your NonStone representative.

- Other finish color and textures
- Cutouts and special holes in body and doors.
- Custom doors
- Custom body
- Special or custom accessories



## FT Single-Door

NO.					出線孔
1	FT 202015	200	200	150	ax1
2	FT 302015	300	200	150	ax1
3	FT 302515	300	250	150	ax1
4	FT 302520	300	250	200	ax1
5	FT 303015	300	300	150	bx1
6	FT 303020	300	300	200	bx1
7	FT 304015	300	400	150	ax2
8	FT 304020	300	400	200	cx1
9	FT 403015	400	300	150	bx1
10	FT 403020	400	300	200	bx1
11	FT 404020	400	400	200	cx1
12	FT 406020	400	600	200	dx1
13	FT 406025	400	600	250	dx1
14	FT 406030	400	600	300	dx1
15	FT 503015	500	300	150	bx1
16	FT 503020	500	300	200	bx1
17	FT 504015	500	400	150	ax2
18	FT 504020	500	400	200	cx1
19	FT 504025	500	400	250	cx1
20	FT 505020	500	500	200	cx1
21	FT 505025	500	500	250	cx1
22	FT 507020	500	700	200	dx1
23	FT 507025	500	700	250	dx1
24	FT 604020	600	400	200	cx1
25	FT 604025	600	400	250	cx1
26	FT 604030	600	400	300	cx1

## Gland Plate Dimensions

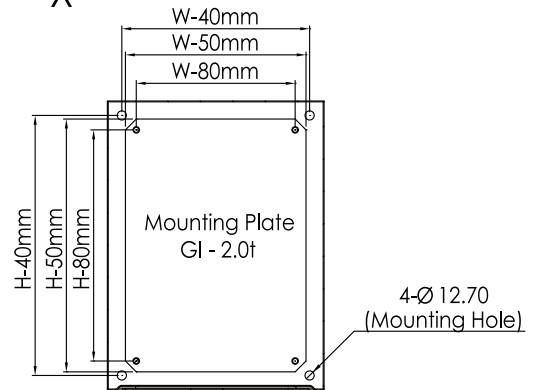
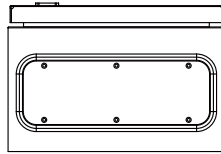
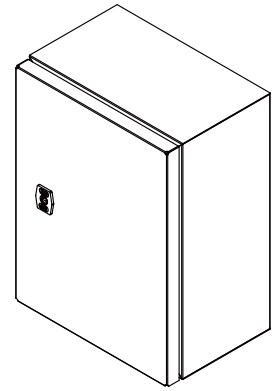
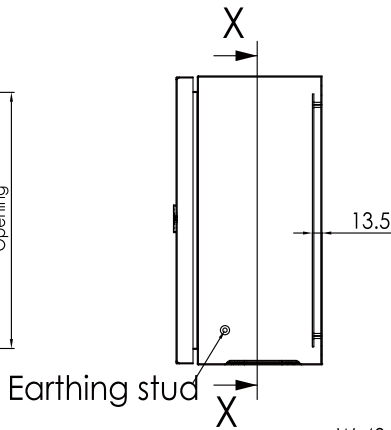
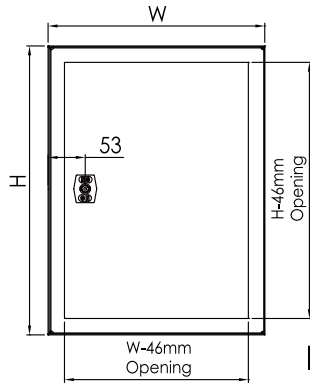
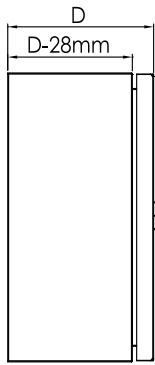
	A(mm)	B(mm)
A	130	60
B	230	60
C	330	120
D	530	120

NO.	Catalog Number	Dimensions			出線孔
		H(mm)	W(mm)	D(mm)	
27	FT 605020	600	500	200	cx1
28	FT 605025	600	500	250	cx1
29	FT 606020	600	600	200	dx1
30	FT 606025	600	600	250	dx1
31	FT 606030	600	600	300	dx1
32	FT 705020	700	500	200	cx1
33	FT 705025	700	500	250	cx1
34	FT 806020	800	600	200	dx1
35	FT 806025	800	600	250	dx1
36	FT 806030	800	600	300	dx1
37	FT 808025	800	800	250	cx2
38	FT 808030	800	800	300	cx2
39	FT 1006025	1000	600	250	dx1
40	FT 1006030	1000	600	300	dx1
41	FT 1006040	1000	600	400	dx1
42	FT 1008025	1000	800	250	cx2
43	FT 1008030	1000	800	300	cx2
44	FT 1206030	1200	600	300	dx1
45	FT 1206040	1200	600	400	dx1
46	FT 1208030	1200	800	300	cx2

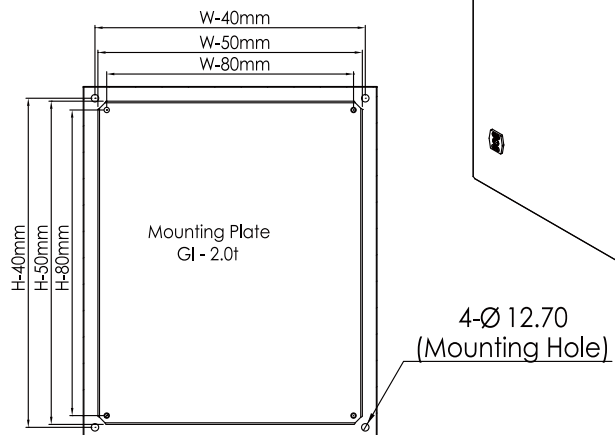
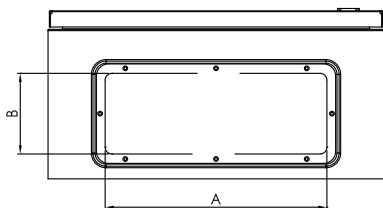
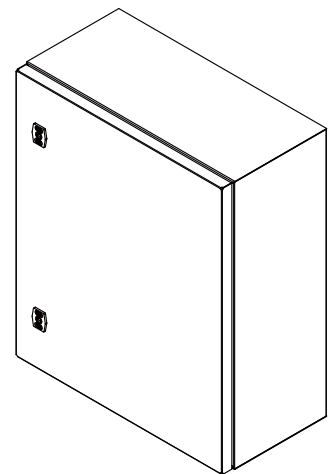
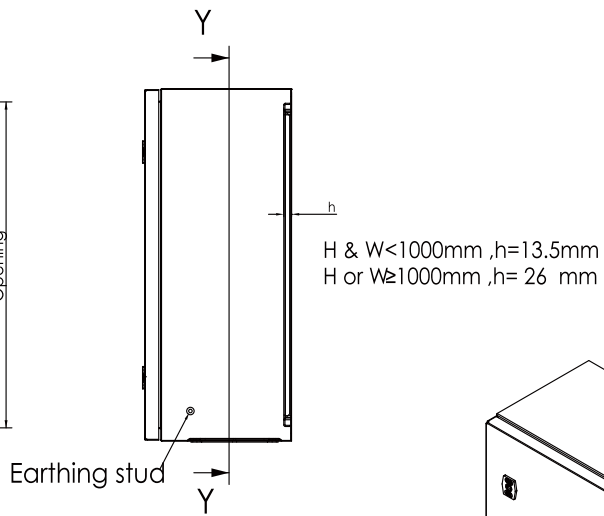
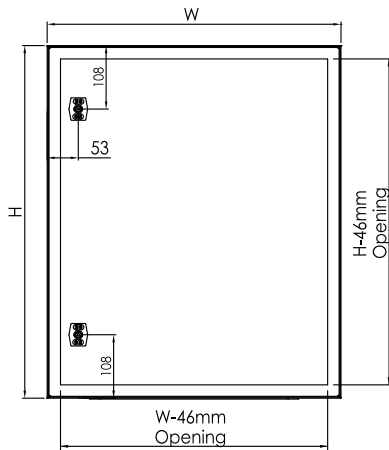
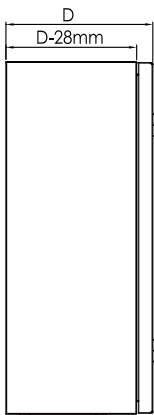
NO. H(mm) W(mm) D(mm)

47 SFT Custom Dimensions

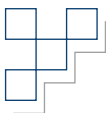
Custom sizes, cut-outs available on request.



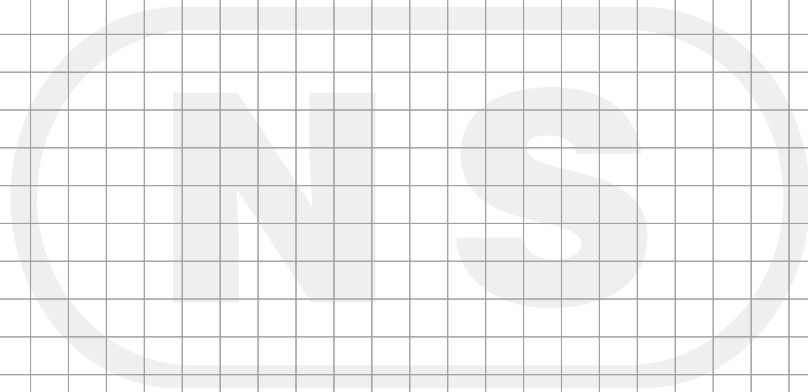
Section View X-X



Section View Y-Y



Notes:



## R Series Rain Canopy Enclosures

### Single-Door, IP66



#### **C**onstruction

- Seamless roof to prevent water and dust penetration
- 14 gauge or 16 gauge steel
- 12 gauge galvanized mounting panel
- High quality automatic seamless foam-in-place gasket
- Seams continuously welded
- All continuous welded seams are finished smooth
- Door opening 100°
- Quarter-turn lock
- Three-point lock on larger enclosures
- Heavy-duty hinge
- Grounding studs on body and door



#### **F**inish

- RAL 7032 power coating, RAL 7035 and other color available
- Mounting plate in galvanized finish

#### **S**tandards

##### R Series, single-door

- IP66, IEC 60529
- RoHS Compliant
- CE

#### **C**ustom Enclosures

Nonstone offers high quality custom enclosures and modification services at competitive price.

For information, please contact your NonStone representative.

- Other finish color and textures
- Cutouts and special holes in body and doors.
- Custom doors
- Custom body
- Special or custom accessories



NO.	Catalog Number	Dimensions		
		H(mm)	W(mm)	D(mm)
1	R 202015	200	200	150
2	R 302015	300	200	150
3	R 302515	300	250	150
4	R 302520	300	250	200
5	R 303015	300	300	150
6	R 303020	300	300	200
7	R 304015	300	400	150
8	R 304020	300	400	200
9	R 403015	400	300	150
10	R 403020	400	300	200
11	R 404020	400	400	200
12	R 406020	400	600	200
13	R 406025	400	600	250
14	R 406030	400	600	300
15	R 503015	500	300	150
16	R 503020	500	300	200
17	R 504015	500	400	150
18	R 504020	500	400	200
19	R 504025	500	400	250
20	R 505020	500	500	200
21	R 505025	500	500	250
22	R 507020	500	700	200
23	R 507025	500	700	250
24	R 604020	600	400	200
25	R 604025	600	400	250
26	R 604030	600	400	300

NO.	Catalog Number	Dimensions		
		H(mm)	W(mm)	D(mm)
27	R 605020	600	500	200
28	R 605025	600	500	250
29	R 606020	600	600	200
30	R 606025	600	600	250
31	R 606030	600	600	300
32	R 705020	700	500	200
33	R 705025	700	500	250
34	R 806020	800	600	200
35	R 806025	800	600	250
36	R 806030	800	600	300
37	R 808025	800	800	250
38	R 808030	800	800	300
39	R1006025	1000	600	250
40	R1006030	1000	600	300
41	R1006040	1000	600	400
42	R1008025	1000	800	250
43	R1008030	1000	800	300
44	R1206030	1200	600	300
45	R1206040	1200	600	400
46	R1208030	1200	800	300

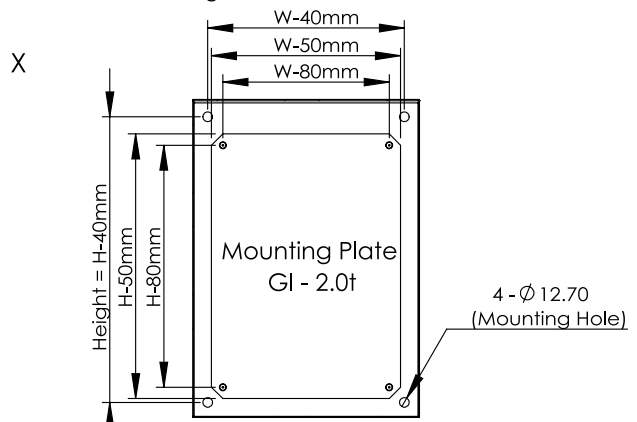
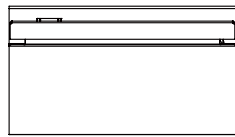
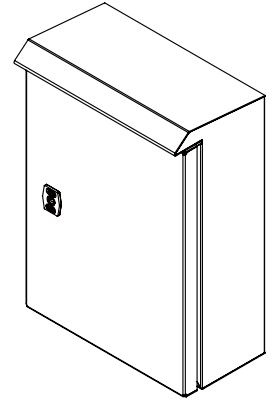
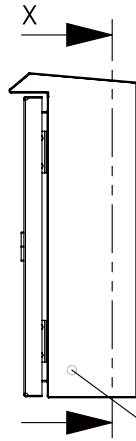
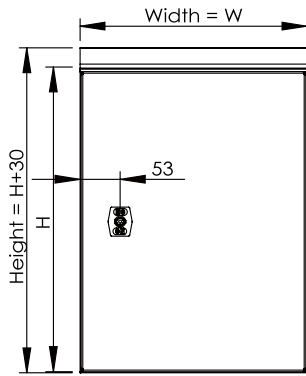
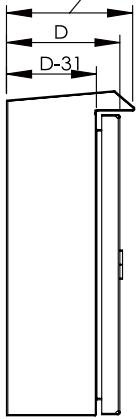
NO.	Catalog Number	Dimensions		
		H(mm)	W(mm)	D(mm)
47	SR	Custom Dimensions		

Custom sizes, cut-outs available on request.



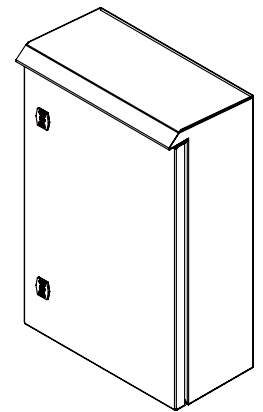
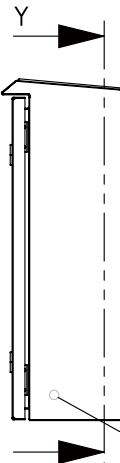
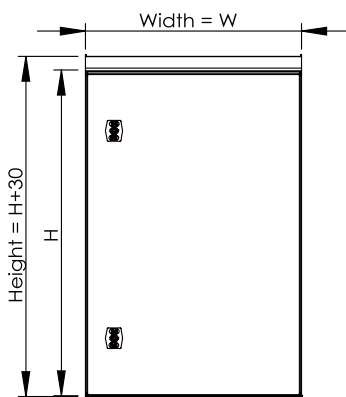
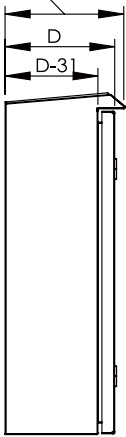


Depth = D+20

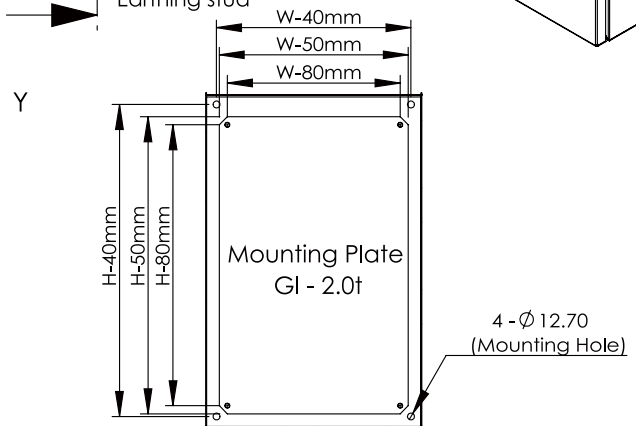
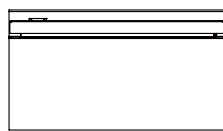


Section View x-x

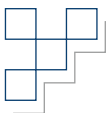
Depth = D+20



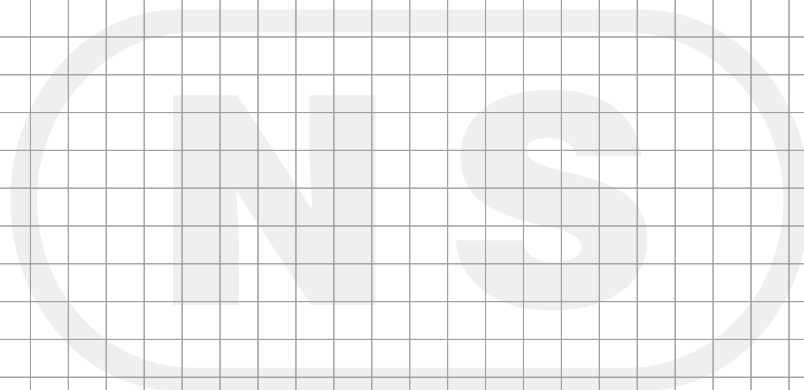
H & W < 1000mm, h = 13.5mm  
H or W > 1000mm, h = 26 mm



Section View Y-Y



Notes:



## TB Series Terminal Box

### Screw Cover, CE



#### **C**onstruction

- Cover and body use 1.2mm steel
- 2mm galvanized steel mounting panel
- Seams continuously welded
- High quality automatic seamless foam-in-place gasket
- Pre-punch opening for wall bracket

#### **F**inish

- RAL 7032 power coating, RAL7035 and other color available
- Mounting plate in galvanized finish

#### **I**ndustry Standards

##### TB Series

- IP66, IEC 60529
- RoHS Compliant
- CE



#### **C**ustom Enclosures

Nonstone offers high quality custom enclosures and modification services at competitive price. For information, please contact your NonStone representative.

- Other finish color and textures
- Cutouts and special holes in body and doors.
- Custom doors
- Custom body
- Special or custom accessories
- Other custom or modify services



### DEPTH 50mm

NO.	Catalog Number	Dimensions		
		H(mm)	W(mm)	D(mm)
1	TB 70705	70	70	50
2	TB 101005	100	100	50
3	TB 161005	160	100	50

### DEPTH 80mm

NO.	Catalog Number	Dimensions		
		H(mm)	W(mm)	D(mm)
4	TB 151008	150	100	80
5	TB 151508	150	150	80
6	TB 152008	150	200	80
7	TB 153008	150	300	80
8	TB 202008	200	200	80
9	TB 203008	200	300	80
10	TB 204008	200	400	80
11	TB 206008	200	600	80
12	TB 304008	300	400	80

### DEPTH 85mm

NO.	Catalog Number	Dimensions		
		H(mm)	W(mm)	D(mm)
13	TB 101008	100	100	85
14	TB 161008	160	100	85
15	TB 161608	160	160	85
16	TB 221008	220	100	85
17	TB 221608	220	160	85
18	TB 222208	220	220	85
19	TB 282208	280	220	85
20	TB 282808	280	280	85

### DEPTH 120mm

NO.	Catalog Number	Dimensions		
		H(mm)	W(mm)	D(mm)
21	TB 124012	120	400	120
22	TB 151512	150	150	120
23	TB 152012	150	200	120
24	TB 153012	150	300	120
25	TB 202012	200	200	120
26	TB 203012	200	300	120
27	TB 204012	200	400	120
28	TB 303012	300	300	120
29	TB 304012	300	400	120
30	TB 404012	400	400	120

### DEPTH 125mm

NO.	Catalog Number	Dimensions		
		H(mm)	W(mm)	D(mm)
31	TB 2222125	220	220	125
32	TB 2822125	280	220	125

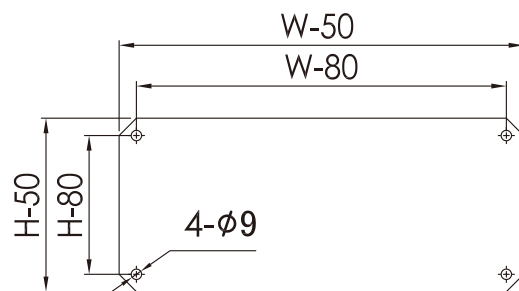
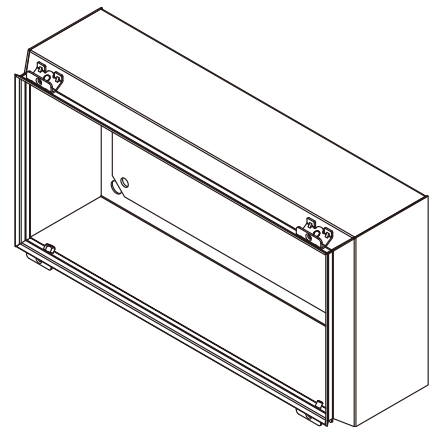
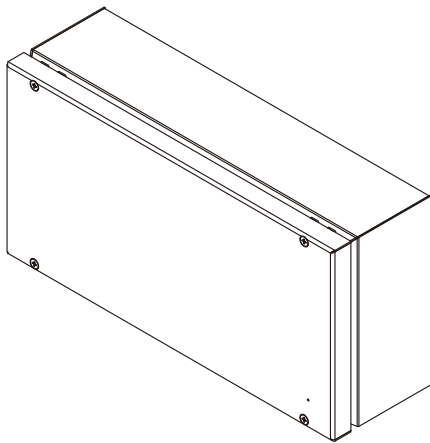
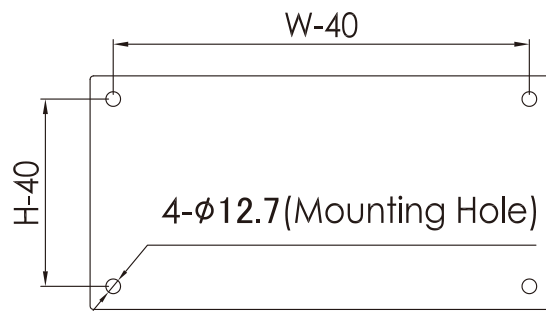
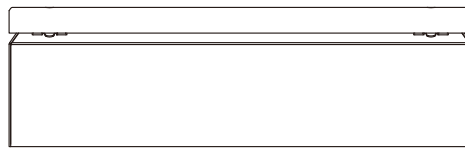
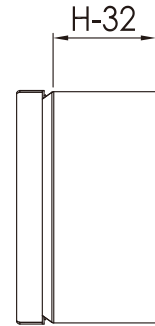
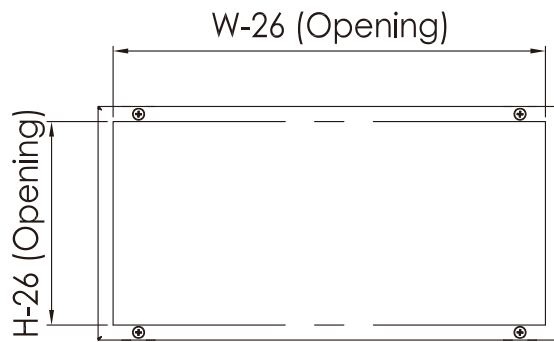
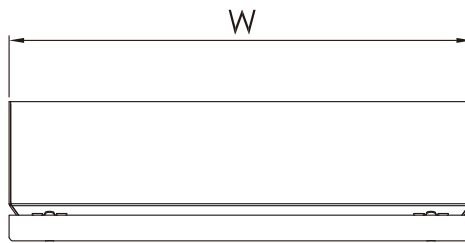
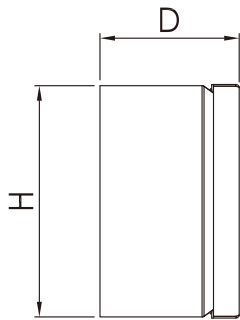
### DEPTH 150mm

NO.	Catalog Number	Dimensions		
		H(mm)	W(mm)	D(mm)
33	TB 282815	280	280	150
34	TB 402815	400	280	150

### SPECIAL DIMENSIONS

NO.	H(mm) W(mm) D(mm)		
35	STB	Custom Dimensions	

Custom sizes, cut-outs available on request.



(Mounting Plate)

Multi-folded edge provides additional strength for enclosures body and prevents dirt and water fall in when the enclosure is opened.

High quality seamless foamed-in-place gasket.

Mounting plate is made of galvanized steel.

Heavy duty die casting locks.

Heavy duty die casting hinge.



## ***NSS Series***

### Stainless Steel Enclosures



# NSS Series Stainless Steel Enclosures

## NSS Single-Door, IP66



Following options are available for stainless Steel enclosures (picture above):

- 1. Stiffener
- 2. Interior no painting
- 3. SUS 304 lock
- 4. SUS 316 lock



### **C**onstruction

- 1.5mm stainless steel
- 2.0mm galvanized mounting panel
- High quality automatic seamless foam-in-place gasket
- Seams continuously welded
- Door opening 100°
- Quarter-turn lock
- Three-point lock on larger enclosures
- Heavy-duty hinge
- Grounding studs on body and door

### **F**inish

- Cover and body have brushed smooth.
- Interior of enclosure and mounting panel are painted white.

### **I**ndustry Standards

#### NSS Series, single-door

- IP66, IEC 60529
- Comply with NEMA 4X
- RoHS Compliant
- CE

#### NSDD Series, double-door

- IP55, IEC 60529
- Comply with NEMA 12
- RoHS Compliant
- CE

### **C**ustom Enclosures

Nonstone offers high quality custom enclosures and modification services at competitive price. For information, please contact your NonStone representative.

- Other finish color and textures
- Cutouts and special holes in body and doors.
- Custom doors
- Custom body
- Special or custom accessories

## NSS Single-Door

NO.	Catalog Number	Dimensions		
		H(mm)	W(mm)	D(mm)
1	NSS 202015	200	200	150
2	NSS 302015	300	200	150
3	NSS 302515	300	250	150
4	NSS 302520	300	250	200
5	NSS 303015	300	300	150
6	NSS 303020	300	300	200
7	NSS 304015	300	400	150
8	NSS 304020	300	400	200
9	NSS 403015	400	300	150
10	NSS 403020	400	300	200
11	NSS 404020	400	400	200
12	NSS 406020	400	600	200
13	NSS 406025	400	600	250
14	NSS 406030	400	600	300
15	NSS 503015	500	300	150
16	NSS 503020	500	300	200
17	NSS 504015	500	400	150
18	NSS 504020	500	400	200
19	NSS 504025	500	400	250
20	NSS 505020	500	500	200
21	NSS 505025	500	500	250
22	NSS 507020	500	700	200
23	NSS 507025	500	700	250
24	NSS 604020	600	400	200
25	NSS 604025	600	400	250
26	NSS 604030	600	400	300

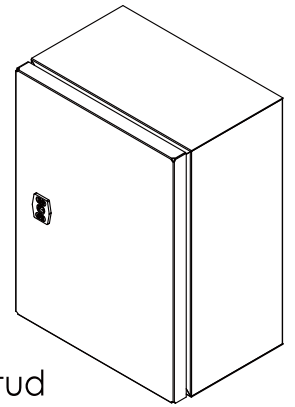
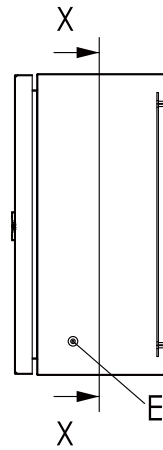
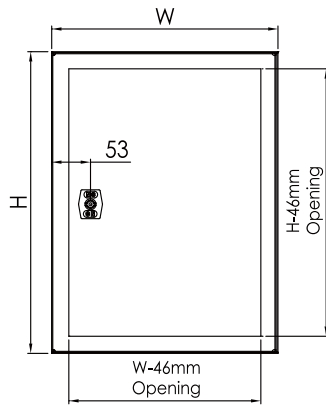
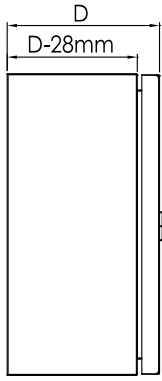
NO.	Catalog Number	Dimensions		
		H(mm)	W(mm)	D(mm)
27	NSS 605020	600	500	200
28	NSS 605025	600	500	250
29	NSS 606020	600	600	200
30	NSS 606025	600	600	250
31	NSS 606030	600	600	300
32	NSS 705020	700	500	200
33	NSS 705025	700	500	250
34	NSS 806020	800	600	200
35	NSS 806025	800	600	250
36	NSS 806030	800	600	300
37	NSS 808025	800	800	250
38	NSS 808030	800	800	300
39	NSS 1006025	1000	600	250
40	NSS 1006030	1000	600	300
41	NSS 1006040	1000	600	400
42	NSS 1008025	1000	800	250
43	NSS 1008030	1000	800	300
44	NSS 1206030	1200	600	300
45	NSS 1206040	1200	600	400
46	NSS 1208030	1200	800	300

NO. H(mm) W(mm) D(mm)

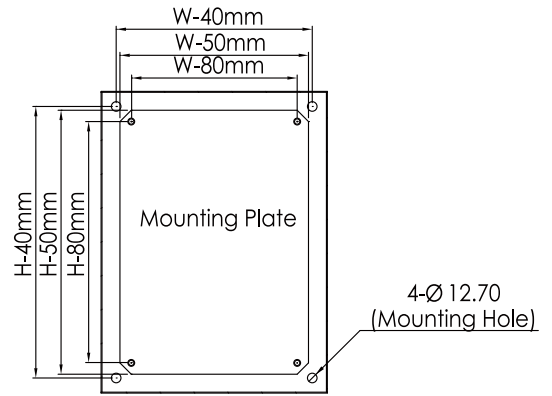
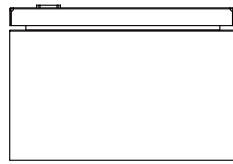
47 SNSS Custom Dimensions

Special/Custom sizes, cut-outs available on request.

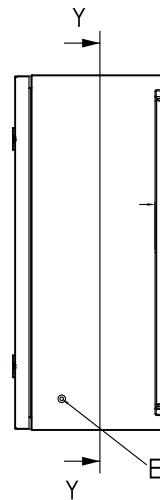
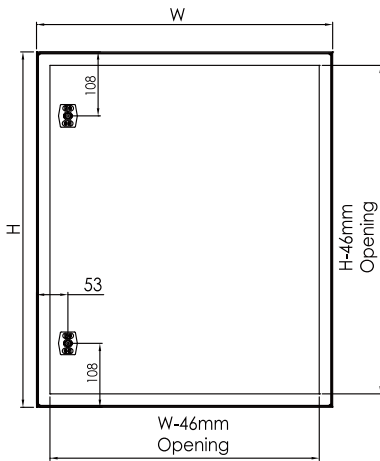
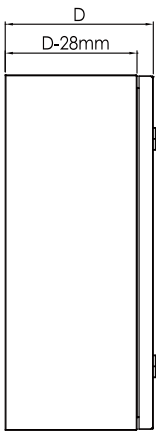




Earthing stud

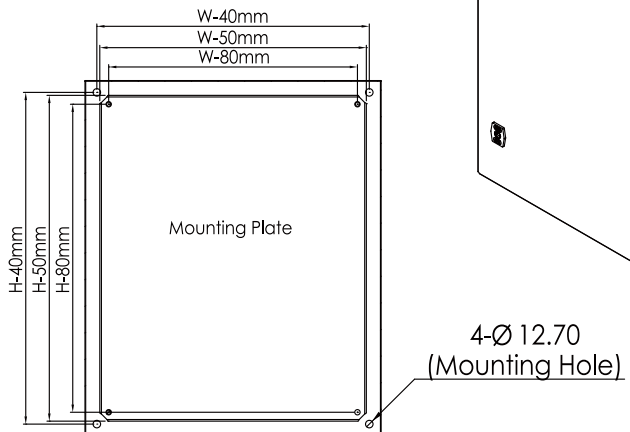


Section View X-X

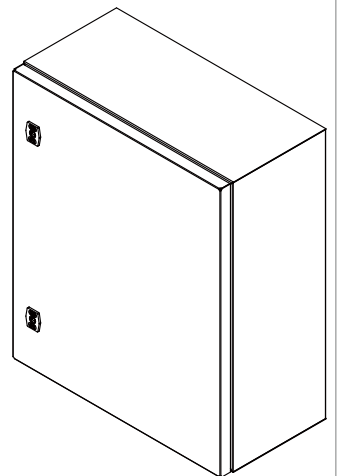


$H \text{ \& } W < 1000\text{mm}, h = 13.5\text{mm}$   
 $H \text{ or } W \geq 1000\text{mm}, h = 26\text{ mm}$

Earthing stud



Section View Y-Y



4-Ø 12.70 (Mounting Hole)

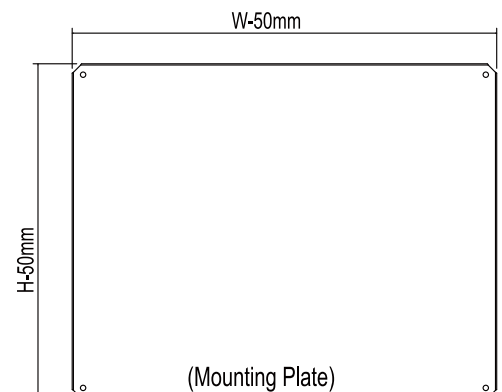
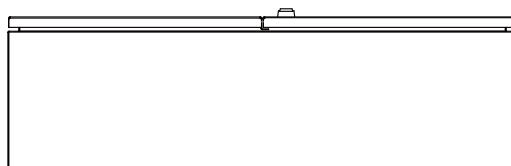
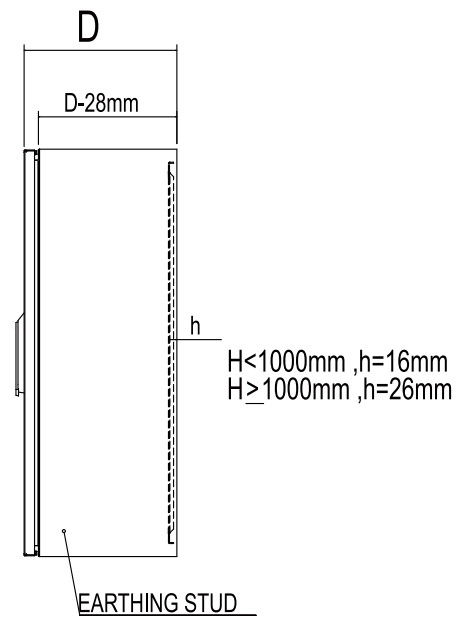
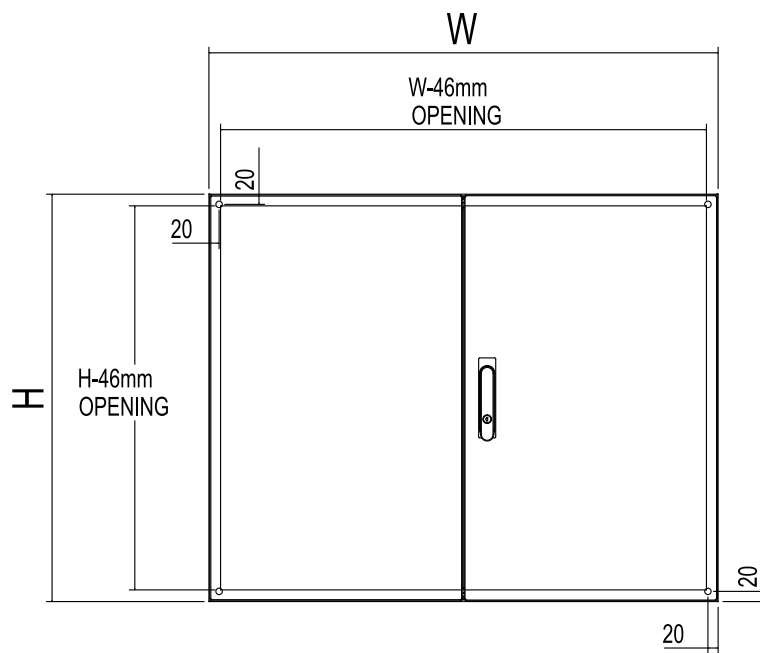
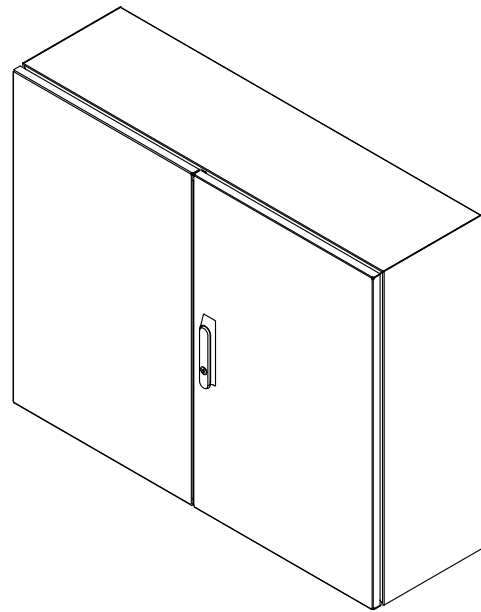
## NSSDD Double-Door

NO.	Catalog Number	Dimensions		
		H(mm)	W(mm)	D(mm)
1	NSSDD 608025	600	800	250
2	NSSDD 608030	600	800	300
3	NSSDD 8010020	800	1000	200
4	NSSDD 8010025	800	1000	250
5	NSSDD 8010030	800	1000	300
6	NSSDD 10010025	1000	1000	250
7	NSSDD 10010030	1000	1000	300
8	NSSDD 12010025	1200	1000	250
9	NSSDD 12010030	1200	1000	300
10	NSSDD 14012040	1400	1200	400
11	NSSDD 14012050	1400	1200	500

NO. H(mm) W(mm) D(mm)

12 SNSDD Custom Dimensions

Custom sizes, cut-outs available on request.





## NSSW Series Stainless Steel Window Enclosures

### IP66, CE



#### **C**onstruction

- 5mm tempered glass
- NSSW Series 1.5mm stainless steel
- 2.0mm galvanized mounting panel
- High quality automatic seamless foam-in-place gasket
- Seams continuously welded
- Door opening 100°
- Quarter-turn lock
- Three-point lock on larger enclosures
- Heavy-duty hinge
- Grounding studs on body and door

#### **F**inish

- Cover and body have brushed smooth.
- Interior of enclosure and mounting panel are painted white.



#### **I**ndustry Standards

##### **NSSW Series, single-door**

- IP66, IEC 60529
- Comply with NEMA 4X
- RoHS Compliant
- **CE**

#### **C**ustom Enclosures

Nonstone offers high quality custom enclosures and modification services at competitive price. For information, please contact your NonStone representative.

- Other finish color and textures
- Cutouts and special holes in body and doors.
- Custom doors
- Custom body
- Special or custom accessories

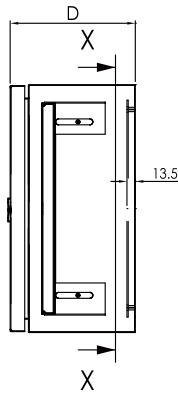
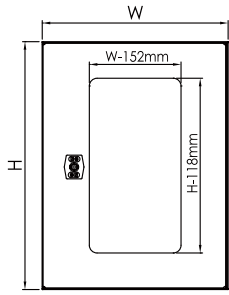


NO.	Catalog Number	Dimensions		
		H(mm)	W(mm)	D(mm)
1	NSSW 202015	200	200	150
2	NSSW 302015	300	200	150
3	NSSW 302515	300	250	150
4	NSSW 302520	300	250	200
5	NSSW 303015	300	300	150
6	NSSW 303020	300	300	200
7	NSSW 304015	300	400	150
8	NSSW 304020	300	400	200
9	NSSW 403015	400	300	150
10	NSSW 403020	400	300	200
11	NSSW 404020	400	400	200
12	NSSW 406020	400	600	200
13	NSSW 406025	400	600	250
14	NSSW 406030	400	600	300
15	NSSW 503015	500	300	150
16	NSSW 503020	500	300	200
17	NSSW 504015	500	400	150
18	NSSW 504020	500	400	200
19	NSSW 504025	500	400	250
20	NSSW 505020	500	500	200
21	NSSW 505025	500	500	250
22	NSSW 507020	500	700	200
23	NSSW 507025	500	700	250
24	NSSW 604020	600	400	200
25	NSSW 604025	600	400	250
26	NSSW 604030	600	400	300

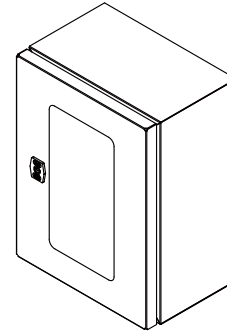
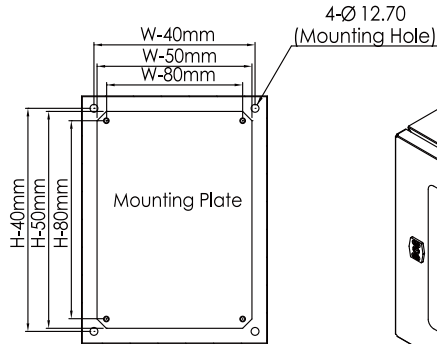
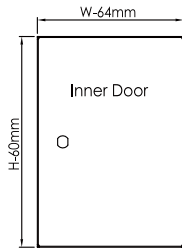
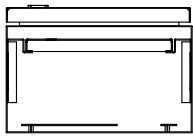
NO.	Catalog Number	Dimensions		
		H(mm)	W(mm)	D(mm)
27	NSSW 605020	600	500	200
28	NSSW 605025	600	500	250
29	NSSW 606020	600	600	200
30	NSSW 606025	600	600	250
31	NSSW 606030	600	600	300
32	NSSW 705020	700	500	200
33	NSSW 705025	700	500	250
34	NSSW 806020	800	600	200
35	NSSW 806025	800	600	250
36	NSSW 806030	800	600	300
37	NSSW 808025	800	800	250
38	NSSW 808030	800	800	300
39	NSSW 1006025	1000	600	250
40	NSSW 1006030	1000	600	300
41	NSSW 1006040	1000	600	400
42	NSSW 1008025	1000	800	250
43	NSSW 1008030	1000	800	300
44	NSSW 1206030	1200	600	300
45	NSSW 1206040	1200	600	400
46	NSSW 1208030	1200	800	300

NO.	H(mm) W(mm) D(mm)		
47	SNSSW	Custom Dimensions	

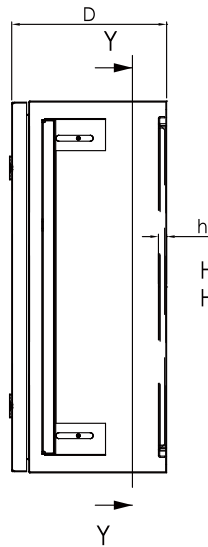
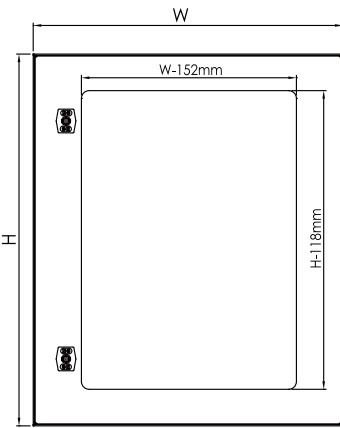
Custom sizes, cut-outs available on request.



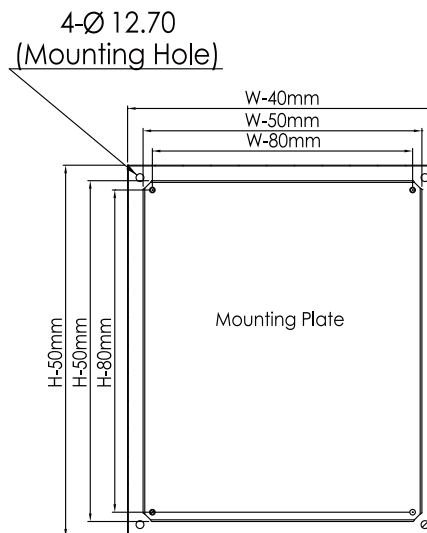
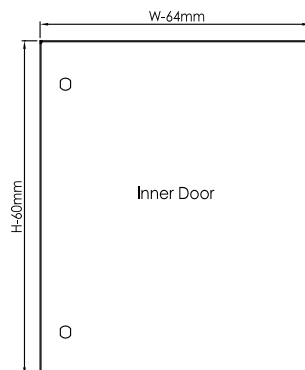
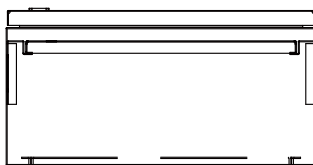
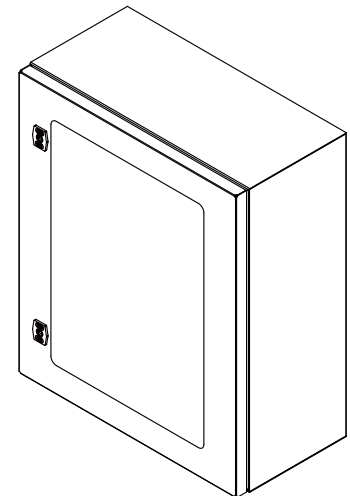
Dimensions	H	W	D
Door	H-3	W-3	24
Window	H-118	W-152	
Glass	H-98	W-132	5
Inner Door	H-60	W-64	20
Mounting Plate	H-50	W-50	10



Section View X-X



H & W < 1000mm, h = 13.5mm  
 H or W ≥ 1000mm, h = 26 mm



Section View Y-Y

Multi-folded edge provides additional strength for enclosures body and prevents dirt and water fall in when the enclosure is opened.

High quality seamless foamed-in-place gasket.

Mounting plate is made of galvanized steel.

Heavy duty stainless steel Quarter-turn Locks.

Heavy duty 180° degree stainless steel hinge.



## ***FTSS Series***

### **Stainless Steel Enclosures**



# FTSS Series Stainless Steel Enclosures

## FTSS Single-Door, IP66



Following options are available for stainless Steel enclosures (picture above):

1. Stiffener
2. Interior no painting
3. SUS 316 lock



### **C**onstruction

- Door: 1.5mm - 1.8mm Stainless Steel
- Body: 1.2mm - 1.5mm Stainless Steel
- 2mm galvanized steel mounting panel
- High quality automatic seamless foam-in-place gasket
- Seams continuously welded
- Stainless Steel Heavy-Duty Quarter-turn lock
- Stainless Steel Heavy-Duty hinge
- Grounding studs on body and door
- Door opening 180°

### **F**inish

- Cover and body have brushed smooth.
- Interior of enclosure and mounting panel are painted white.

### **I**ndustry Standards

#### FTSS Series, single-door

- IP66, IEC 60529
- REACH Compliant
- RoHS Compliant
- CE

### **C**ustom Enclosures

Nonstone offers high quality custom enclosures and modification services at competitive price.

For information, please contact your NonStone representative.

- Other finish color and textures
- Cutouts and special holes in body and doors.
- Custom doors
- Custom body
- Special or custom accessories

## FTSS Single-Door

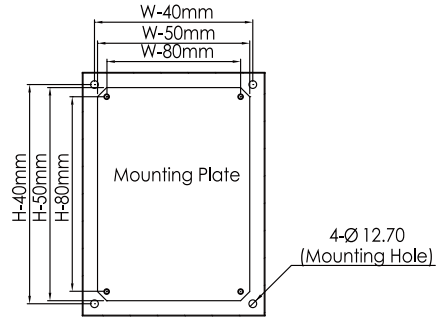
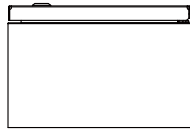
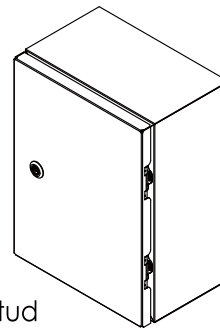
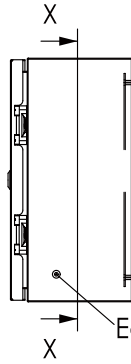
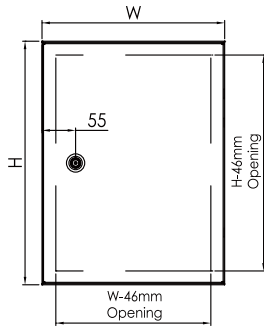
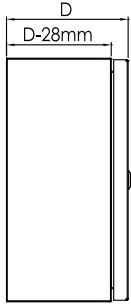
NO.	Catalog Number	Dimensions		
		H(mm)	W(mm)	D(mm)
1	FTSS 202015	200	200	150
2	FTSS 302015	300	200	150
3	FTSS 302515	300	250	150
4	FTSS 302520	300	250	200
5	FTSS 303015	300	300	150
6	FTSS 303020	300	300	200
7	FTSS 304015	300	400	150
8	FTSS 304020	300	400	200
9	FTSS 403015	400	300	150
10	FTSS 403020	400	300	200
11	FTSS 404020	400	400	200
12	FTSS 406020	400	600	200
13	FTSS 406025	400	600	250
14	FTSS 406030	400	600	300
15	FTSS 503015	500	300	150
16	FTSS 503020	500	300	200
17	FTSS 504015	500	400	150
18	FTSS 504020	500	400	200
19	FTSS 504025	500	400	250
20	FTSS 505020	500	500	200
21	FTSS 505025	500	500	250
22	FTSS 507020	500	700	200
23	FTSS 507025	500	700	250
24	FTSS 604020	600	400	200
25	FTSS 604025	600	400	250
26	FTSS 604030	600	400	300

NO.	Catalog Number	Dimensions		
		H(mm)	W(mm)	D(mm)
27	FTSS 605020	600	500	200
28	FTSS 605025	600	500	250
29	FTSS 606020	600	600	200
30	FTSS 606025	600	600	250
31	FTSS 606030	600	600	300
32	FTSS 705020	700	500	200
33	FTSS 705025	700	500	250
34	FTSS 806020	800	600	200
35	FTSS 806025	800	600	250
36	FTSS 806030	800	600	300
37	FTSS 808025	800	800	250
38	FTSS 808030	800	800	300
39	FTSS 1006025	1000	600	250
40	FTSS 1006030	1000	600	300
41	FTSS 1006040	1000	600	400
42	FTSS 1008025	1000	800	250
43	FTSS 1008030	1000	800	300
44	FTSS 1206030	1200	600	300
45	FTSS 1206040	1200	600	400
46	FTSS 1208030	1200	800	300

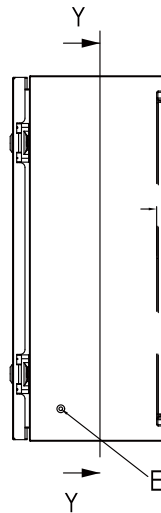
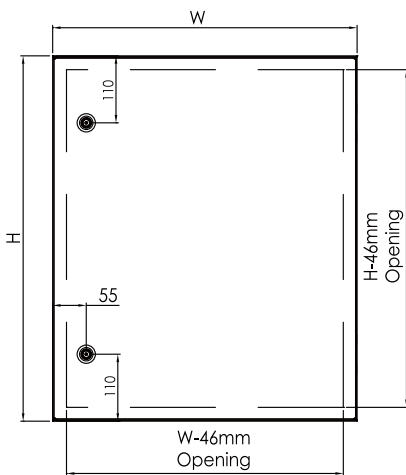
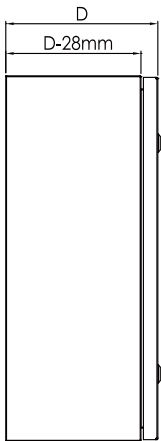
NO.	H(mm)	W(mm)	D(mm)
47	SFTSS Custom Dimensions		

Special/Custom sizes, cut-outs available on request.

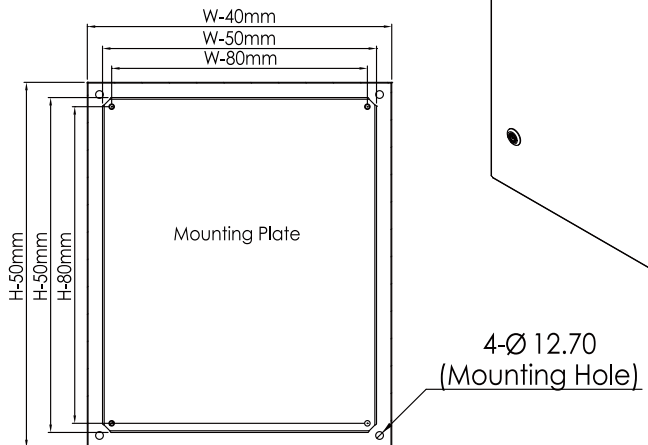
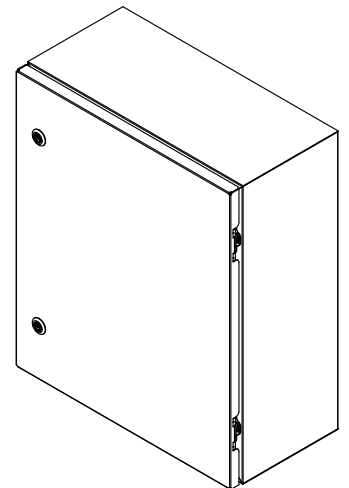




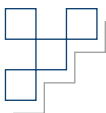
Section View X-X



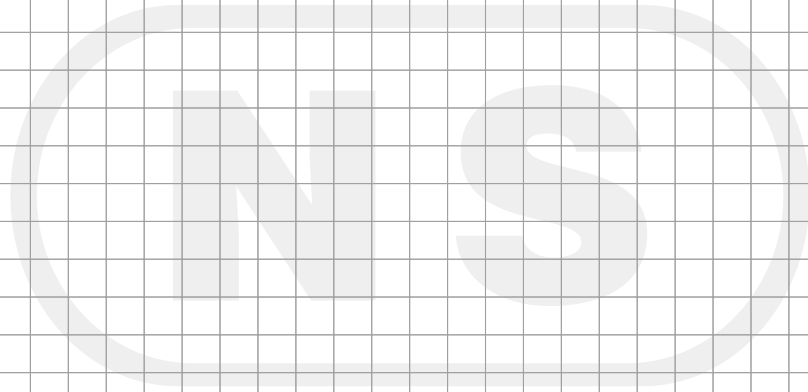
H & W < 1000mm, h = 13.5mm  
H or W ≥ 1000mm, h = 26 mm



Section View Y-Y



Notes:



# FSS Series Wall Mount Enclosures

## Single-Door, IP66, Brushed Finish



### **C**onstruction

- Door: 1.5mm - 1.8mm Stainless Steel
- Body: 1.2mm - 1.5mm Stainless Steel
- 2mm galvanized steel mounting panel
- High quality automatic seamless foam-in-place gasket
- Seams continuously welded
- Stainless steel heavy-duty quarter-turn lock
- Stainless steel heavy-duty hinge
- Three-point lock on larger enclosures
- Grounding studs on body and door
- Door opening 180°

### **F**inish

- Cover and body have brushed smooth.
- Interior of enclosure and mounting panel are painted white.

### **I**ndustry Standards

#### FTSS Series, single-door

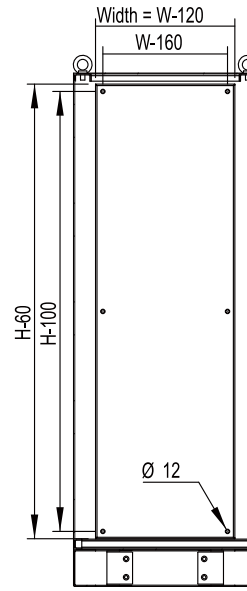
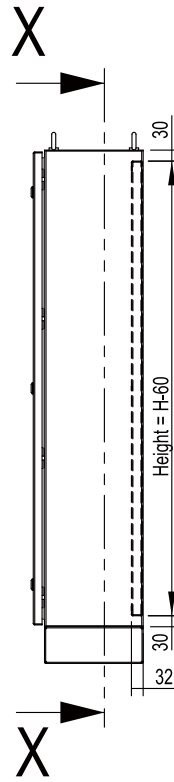
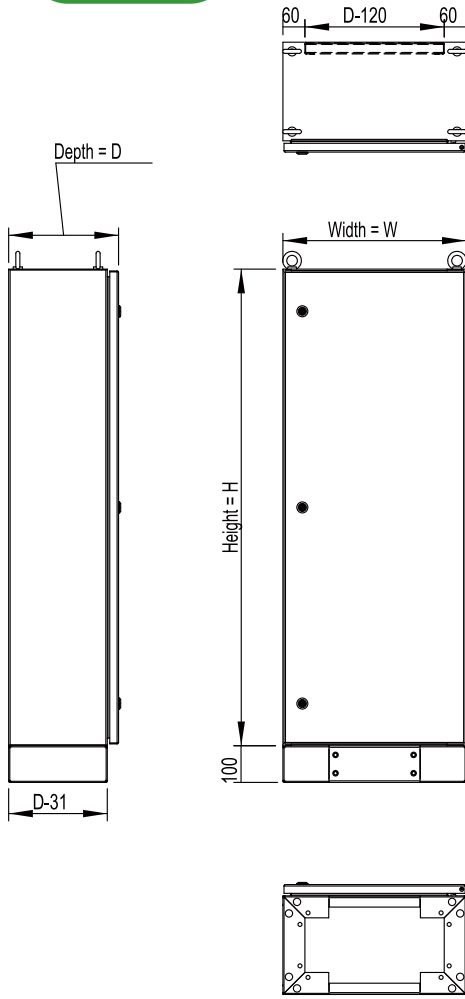
- IP66, IEC 60529
- Comply with NEMA 4X
- RoHS Compliant
- CE

### **C**ustom Enclosures

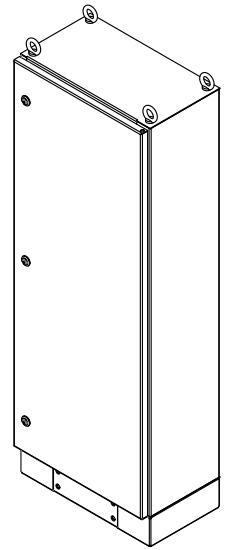
Nonstone offers high quality custom enclosures and modification services at competitive price. For information, please contact your NonStone representative.

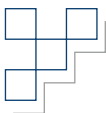
- Other finish color and textures
- Cutouts and special holes in body and doors.
- Custom doors
- Custom body
- Special or custom accessories

NO.	Catalog Number	Dimensions			NO.	Catalog Number	Dimensions		
		H(mm)	W(mm)	D(mm)			H(mm)	W(mm)	D(mm)
1	FSS 1305030	1300	500	300	49	FSS 1706060	1700	600	600
2	FSS 1305040	1300	500	400	50	FSS 1707040	1700	700	400
3	FSS 1306030	1300	600	300	51	FSS 1707050	1700	700	500
4	FSS 1306040	1300	600	400	52	FSS 1707060	1700	700	600
5	FSS 1306050	1300	600	500	53	FSS 1708050	1700	800	500
6	FSS 1306060	1300	600	600	54	FSS 1708060	1700	800	600
7	FSS 1307040	1300	700	400	55	FSS 1708080	1700	800	800
8	FSS 1307050	1300	700	500	56	FSS 1804348	1800	435	483
9	FSS 1307060	1300	700	600	57	FSS 1806040	1800	600	400
10	FSS 1308030	1300	800	300	58	FSS 1806050	1800	600	500
11	FSS 1308040	1300	800	400	59	FSS 1806060	1800	600	600
12	FSS 1308050	1300	800	500	60	FSS 1807050	1800	700	500
13	FSS 1308060	1300	800	600	61	FSS 1807060	1800	700	600
14	FSS 1406030	1400	600	300	62	FSS 1807070	1800	700	700
15	FSS 1406040	1400	600	400	63	FSS 1808040	1800	800	400
16	FSS 1406050	1400	600	500	64	FSS 1808050	1800	800	500
17	FSS 1406060	1400	600	600	65	FSS 1808060	1800	800	600
18	FSS 1407040	1400	700	400	66	FSS 1808080	1800	800	800
19	FSS 1407050	1400	700	500	67	FSS 1906050	1900	600	500
20	FSS 1407060	1400	700	600	68	FSS 1906060	1900	600	600
21	FSS 1408030	1400	800	300	69	FSS 1906080	1900	600	800
22	FSS 1408040	1400	800	400	70	FSS 1907050	1900	700	500
23	FSS 1408050	1400	800	500	71	FSS 1907060	1900	700	600
24	FSS 1408060	1400	800	600	72	FSS 1907070	1900	700	700
25	FSS 1408080	1400	800	800	73	FSS 1908050	1900	800	500
26	FSS 1506030	1500	600	300	74	FSS 1908060	1900	800	600
27	FSS 1506040	1500	600	400	75	FSS 1908080	1900	800	800
28	FSS 1506050	1500	600	500	76	FSS 2006050	2000	600	500
29	FSS 1506060	1500	600	600	77	FSS 2006060	2000	600	600
30	FSS 1507040	1500	700	400	78	FSS 20060100	2000	600	1000
31	FSS 1507050	1500	700	500	79	FSS 2008050	2000	800	500
32	FSS 1507060	1500	700	600	80	FSS 2008060	2000	800	600
33	FSS 1508030	1500	800	300	81	FSS 2008080	2000	800	800
34	FSS 1508040	1500	800	400	82	FSS 20080100	2000	800	1000
35	FSS 1508050	1500	800	500	83	FSS 2108060	2100	800	600
36	FSS 1508060	1500	800	600	84	FSS 2108080	2100	800	800
37	FSS 1508080	1500	800	800	85	FSS 21080100	2100	800	1000
38	FSS 1606040	1600	600	400	86	FSS 21010050	2100	1000	500
39	FSS 1606050	1600	600	500	87	FSS 21010080	2100	1000	800
40	FSS 1606060	1600	600	600	88	FSS 210100100	2100	1000	1000
41	FSS 1607040	1600	700	400	89	FSS 2208080	2200	800	800
42	FSS 1607050	1600	700	500	90	FSS 22010080	2200	1000	800
43	FSS 1607060	1600	700	600	91	FSS 220100100	2200	1000	1000
44	FSS 1608050	1600	800	500	92	SFSS Custom Dimensions			
45	FSS 1608060	1600	800	600	Special/Custom sizes, cut-outs available on request.				
46	FSS 1608080	1600	800	800					
47	FSS 1706040	1700	600	400					
48	FSS 1706050	1700	600	500					



Section View X-X





Notes:



# TBSS Series Terminal Box

## Screw Cover, CE



### **C**onstruction

- Cover and body use 1.2mm stainless steel
- 2mm galvanized steel mounting panel
- Seams continuously welded
- High quality automatic seamless foam-in-place gasket
- Pre-punch opening for wall bracket

### **F**inish

- Cover and body have brushed smooth.
- Interior of enclosure and mounting panel are painted white.

### **I**ndustry Standards

#### TBSS Series

- IP66, IEC 60529
- Comply with NEMA 4X
- RoHS Compliant
- CE

### **C**ustom Enclosures

Nonstone offers high quality custom enclosures and modification services at competitive price. For information, please contact your NonStone representative.

- Other finish color and textures
- Cutouts and special holes in body and doors.
- Custom doors
- Custom body
- Special or custom accessories
- Other custom or modify services

### DEPTH 50mm

NO.	Catalog Number	Dimensions		
		H(mm)	W(mm)	D(mm)
1	TBSS 70705	70	70	50
2	TBSS 101005	100	100	50
3	TBSS 161005	160	100	50

### DEPTH 80mm

NO.	Catalog Number	Dimensions		
		H(mm)	W(mm)	D(mm)
4	TBSS 151008	150	100	80
5	TBSS 151508	150	150	80
6	TBSS 152008	150	200	80
7	TBSS 153008	150	300	80
8	TBSS 202008	200	200	80
9	TBSS 203008	200	300	80
10	TBSS 204008	200	400	80
11	TBSS 206008	200	600	80
12	TBSS 304008	300	400	80

### DEPTH 85mm

NO.	Catalog Number	Dimensions		
		H(mm)	W(mm)	D(mm)
13	TBSS 101008	100	100	85
14	TBSS 161008	160	100	85
15	TBSS 161608	160	160	85
16	TBSS 221008	220	100	85
17	TBSS 221608	220	160	85
18	TBSS 222208	220	220	85
19	TBSS 282208	280	220	85
20	TBSS 282808	280	280	85

### DEPTH 120mm

NO.	Catalog Number	Dimensions		
		H(mm)	W(mm)	D(mm)
21	TBSS 124012	120	400	120
22	TBSS 151512	150	150	120
23	TBSS 152012	150	200	120
24	TBSS 153012	150	300	120
25	TBSS 202012	200	200	120
26	TBSS 203012	200	300	120
27	TBSS 204012	200	400	120
28	TBSS 303012	300	300	120
29	TBSS 304012	300	400	120
30	TBSS 404012	400	400	120

### DEPTH 125mm

NO.	Catalog Number	Dimensions		
		H(mm)	W(mm)	D(mm)
31	TBSS 2222125	220	220	125
32	TBSS 2822125	280	220	125

### DEPTH 150mm

NO.	Catalog Number	Dimensions		
		H(mm)	W(mm)	D(mm)
33	TBSS 282815	280	280	150
34	TBSS 402815	400	280	150

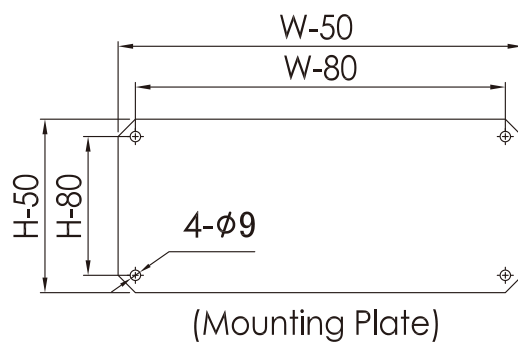
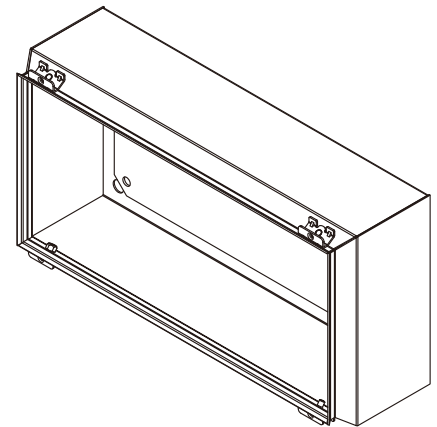
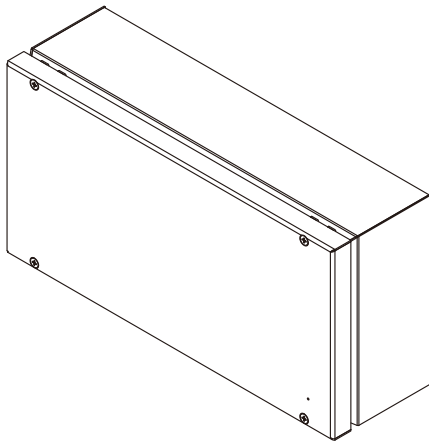
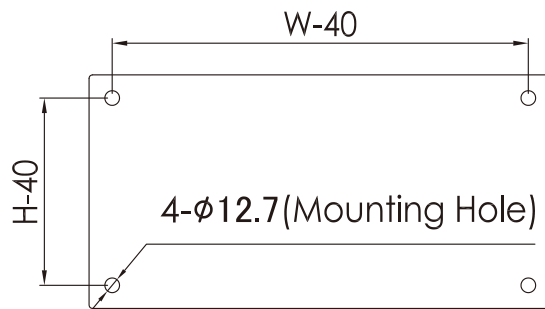
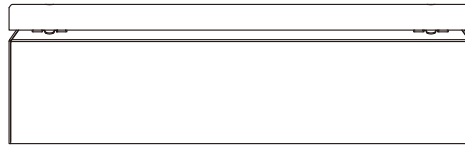
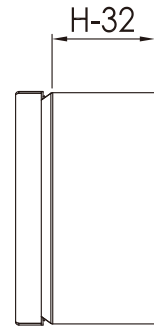
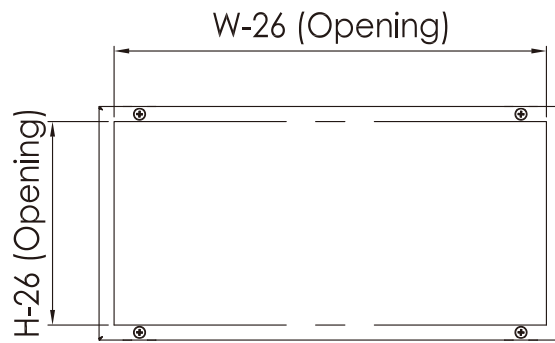
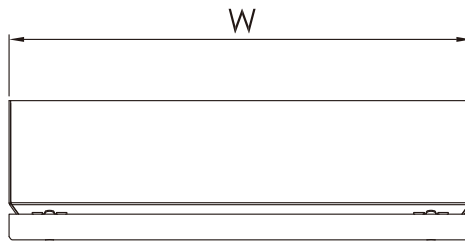
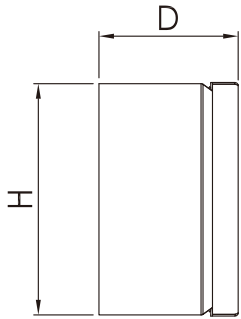
### SPECIAL DIMENSIONS

NO.	H(mm) W(mm) D(mm)		
35	STBSS	Custom Dimensions	

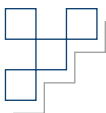
Special/Custom sizes, cut-outs available on request.



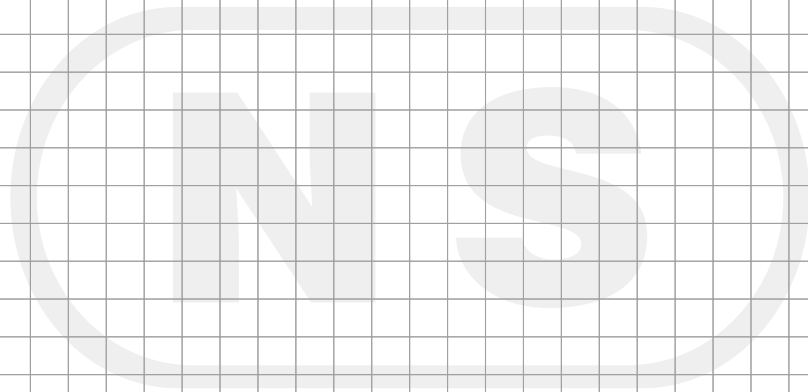
**NS**



(Mounting Plate)



Notes:



# Accessories



## Quarter-turn Lock

- IP66 quarter-turn lock with 90° rotation.
- Right hand or left hand application.



NO.	Catalogue Number	Description
1	CS003QT	Quarter-turn Lock



## Quarter-turn Lock with wing

- IP66 quarter-turn lock. Wing handle with 90° rotation.
- Right hand or left hand application.



NO.	Catalogue Number	Description
1	CS003QTW	Quarter-turn Lock with wing



## Stainless steel quarter-turn Lock

- IP66 stainless steel quarter-turn lock with 90° rotation.
- Right hand or left hand application.



NO.	Catalogue Number	Description
1	CS005Q	Stainless Steel Quarter-turn Lock
2	CS005QSS6	SUS316 Stainless Steel Quarter-turn Lock



## NS Key



NO.	Catalogue Number
1	CS003Key



## 7mm Triangular Quarter-Turn Lock

- IP66 7mm Triangular Lock
- Right hand or left hand application



NO.	Catalogue Number	Description
1	CS003 TR7	7mm triangle Quarter-turn Lock



## IP68 RJ45 Metal C3 Panel Jack



NO.	Catalogue Number	Description
1	CS201 RJ45	



## Sun Shield

- Assemble on top of enclosure, for further protection of sun light and rain.



NO.	Catalogue Number	Description
1	-	Single Canopy



## Rain Canopy

- For further protection of sun light and rain.
- Slop roof design, reduce gathered dust and water.



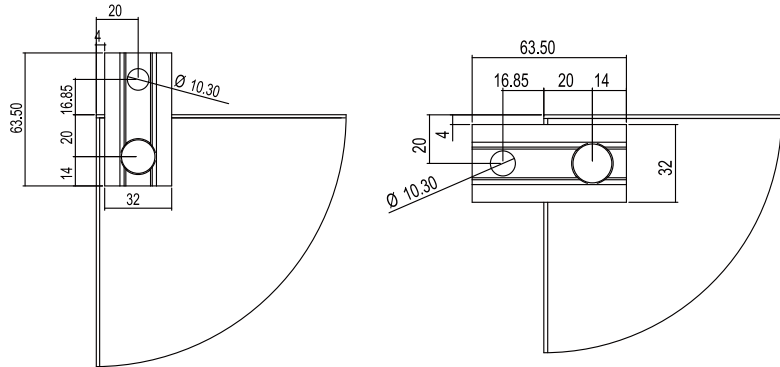
NO.	Description
1	Double-layer Canopy



## Mounting Feet Kits

- Heavy duty mounting feet.
- Vertical or Horizon application.

NO.	Catalogue Number	Description
1	CS001	Mounting Bracket, Mild Steel
2	CS002	Mounting Bracket, Stainless Steel



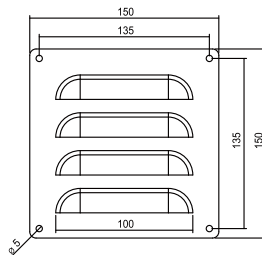
## Louver Vent Kits

- Assembling on enclosure surface, allow air exchange with dripping water protection.
- Assembled by 4 screws, easy and fast.



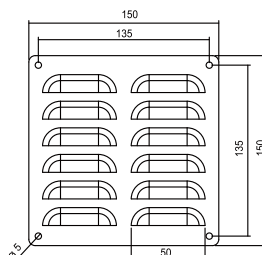
### LVP-1515A

NO.	Catalogue Number
1	LVP-1515A



### LVP-1515C

NO.	Catalogue Number
1	LVP-1515C



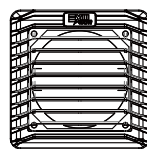


air solution

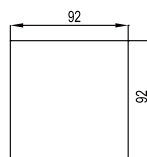


## EXM Genuine Clip-on Fan Filter

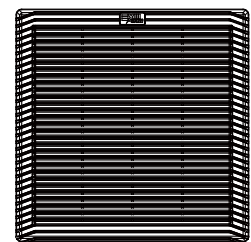
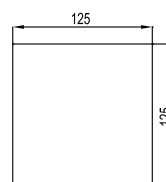
NO.	Catalogue Number	H(mm)	W(mm)	D(mm)
1	880GP 109	109	109	22
2	880GP 150	150	150	22
3	880GP 325	325	325	22



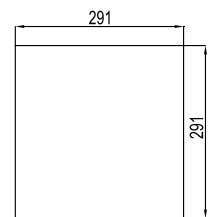
880GP109



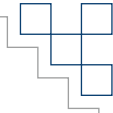
880GP150



880GP325



UL

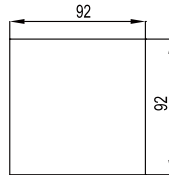


## EXM Fan Package



NO.	Catalogue Number	H(mm)	W(mm)	D(mm)	CFM	V
1	880FP 109N08	109	109	50	55	220

\* CFM without filter

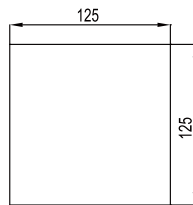


## EXM Fan Package



NO.	Catalogue Number	H(mm)	W(mm)	D(mm)	CFM	V
1	880FP 150N12	150	150	60	120	220

\* CFM without filter

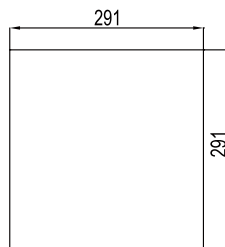


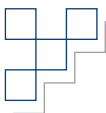
## EXM Fan Package



NO.	Catalogue Number	H(mm)	W(mm)	D(mm)	CFM	V
1	880FP 325N17	325	325	75	235	220

\* CFM without filter





## AC FAN



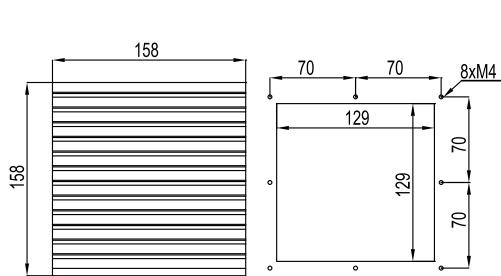
NO.	Catalogue Number	H(mm)	W(mm)	D(mm)	CFM	V
1	N08 22HSL55	80	80	25	55	220
2	N12 22XSL120	119	119	38	120	220
3	N17 22ABSL230	172	150	51	235	220



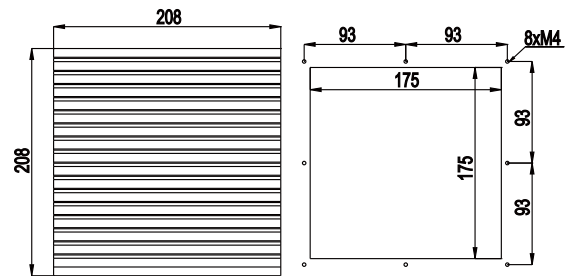
## Screw-on Fan Filter



NO.	Catalogue Number	H(mm)	W(mm)	D(mm)
1	N08 GP	158	158	30
2	N12 GP	208	208	30



N08GP



N12GP





### IP Code (International Standard IEC 60529)

First Number	Degree of Protection	Second Number	Degree of Protection
0	No protection	0	No protection
1	Protected against solid foreign objects of 50 mm diameter and greater	1	Dripping water (vertically falling drops) shall have no harmful effect.
2	Protected against solid foreign objects of 12,5 mm diameter and greater	2	Vertically dripping water shall have no harmful effect when the enclosure is tilted at an angle up to 15° from its normal position.
3	Protected against solid foreign objects of 2,5 mm diameter and greater	3	Water falling as a spray at any angle up to 60° from the vertical shall have no harmful effect.
4	Protected against solid foreign objects of 1,0 mm diameter and greater	4	Water splashing against the enclosure from any direction shall have no harmful effect.
5	Ingress of dust is not entirely prevented, but it must not enter in sufficient quantity to interfere with the satisfactory operation of the equipment	5	Water projected by a nozzle against enclosure from any direction shall have no harmful effects
6	Dust tight; No ingress of dust	6	Water projected in powerful jets against the enclosure from any direction shall have no harmful effects



### NEMA Non-Hazardous Location Enclosure Standards.

**Type 4** Enclosures constructed for either indoor or outdoor use to provide a degree of protection to personnel against access to hazardous parts; to provide a degree of protection of the equipment inside the enclosure against ingress of solid foreign objects (falling dirt and windblown dust); to provide a degree of protection with respect to harmful effects on the equipment due to the ingress of water (rain, sleet, snow, splashing water, and hose directed water); and that will be undamaged by the external formation of ice on the enclosure.

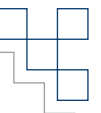
**Type 4X** Enclosures constructed for either indoor or outdoor use to provide a degree of protection to personnel against access to hazardous parts; to provide a degree of protection of the equipment inside the enclosure against ingress of solid foreign objects (windblown dust); to provide a degree of protection with respect to harmful effects on the equipment due to the ingress of water (rain, sleet, snow, splashing water, and hose directed water); that provides an additional level of protection against corrosion; and that will be undamaged by the external formation of ice on the enclosure.

**Type 12** Enclosures constructed (without knockouts) for indoor use to provide a degree of protection to personnel against access to hazardous parts; to provide a degree of protection of the equipment inside the enclosure against ingress of solid foreign objects (falling dirt and circulating dust, lint, fibers, and flyings); and to provide a degree of protection with respect to harmful effects on the equipment due to the ingress of water (dripping and light splashing).

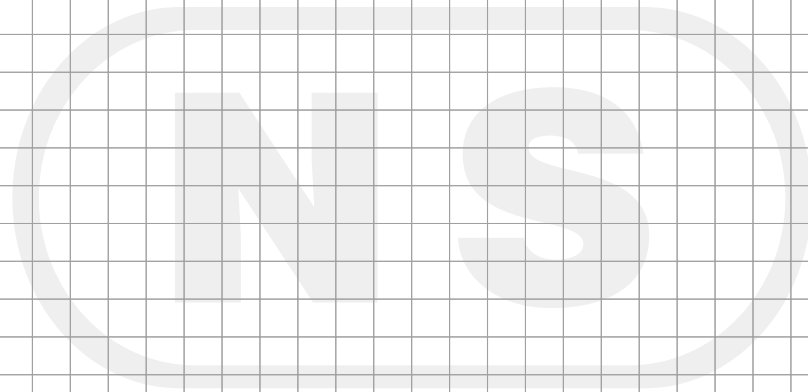
For further information please contact us at 886-6-5782799 or visit our website at [www.nonstone.com.tw](http://www.nonstone.com.tw).

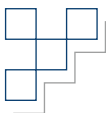
# Metal material composition List

Standard Code	Standard No.	Common Name	Chemical Composition (%)								
			C	Mn	P	S	Cu	Si	Ni	Cr	Mo
Hot Rolled											
CNS	4622	SPHC	≤ 0.15	≤ 0.60	≤ 0.05	≤ 0.05	--	--	--	--	--
JIS	G3131	SPHC	≤ 0.15	≤ 0.60	≤ 0.05	≤ 0.05	--	--	--	--	--
ASTM	A569	--	≤ 0.15	≤ 0.60	≤ 0.035	≤ 0.035	≤ 0.2	--	--	--	--
Cold Rolled											
CNS	9278	SPCC	≤ 0.12	≤ 0.50	≤ 0.04	≤ 0.045	--	--	--	--	--
JIS	G3141	SPCC	≤ 0.12	≤ 0.50	≤ 0.04	≤ 0.045	--	--	--	--	--
ASTM	A366	--	0.1-0.15	0.30-0.60	≤ 0.03	≤ 0.035	--	--	--	--	--
Stainless Steel											
CNS	8499	304	≤ 0.08	≤ 2.0	≤ 0.045	≤ 0.03	--	≤ 1.0	8.0-10.5	18.0-20.0	--
JIS	g4305	SUS304	≤ 0.08	≤ 2.0	≤ 0.045	≤ 0.03	--	≤ 1.0	8.0-10.5	18.0-20.0	--
ASTM	a240	304	≤ 0.08	≤ 2.0	≤ 0.045	≤ 0.03	--	≤ 1.0	8.0-10.5	18.0-20.0	--
Stainless Steel											
CNS	8499	316L	≤ 0.03	≤ 2.0	≤ 0.045	≤ 0.03	--	≤ 1.0	12.0-15.0	16.0-18.0	2.0-3.0
JIS	g4305	SUS316L	≤ 0.03	≤ 2.0	≤ 0.045	≤ 0.03	--	≤ 1.0	12.0-15.0	16.0-18.0	2.0-3.0
ASTM	a240	316L	≤ 0.03	≤ 2.0	≤ 0.045	≤ 0.03	--	≤ 1.0	10.0-14.0	16.0-18.0	2.0-3.0
Stainless Steel											
CNS	8499	316	≤ 0.08	≤ 2.0	≤ 0.045	≤ 0.03	--	≤ 1.0	10.0-14.0	16.0-18.0	2.0-3.0
JIS	g4305	SUS316	≤ 0.08	≤ 2.0	≤ 0.045	≤ 0.03	--	≤ 1.0	10.0-14.0	16.0-18.0	2.0-3.0
ASTM	a240	316	≤ 0.08	≤ 2.0	≤ 0.045	≤ 0.03	--	≤ 1.0	10.0-14.0	16.0-18.0	2.0-3.0

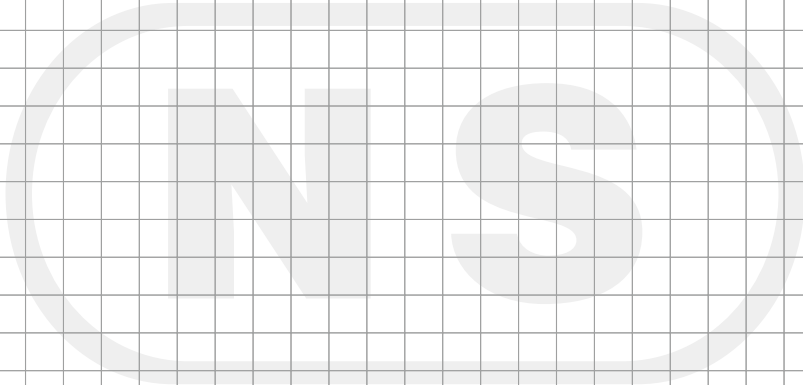


Notes:





Notes:



How to have my

# electrical/electronic equipments

work better in industrial environments?

## WE CAN HELP

IP66 NS, NSS series enclosures can protect water and dust getting inside the enclosures. When your electrical/electronic equipments assembled inside our enclosures, it is extended the working life of the equipments and reduce your maintenance costs. For more information, please contact sales representatives.

[nonstone.com](http://nonstone.com)

Made in TAIWAN

**NS**

Building Tommorrow, Together.

# The New TB Series TERMINAL BOX



IP66

**Available in 304 & 316**

Custom sizes, cut-outs available on request.

**NS** NONSTONE





**WE WORK WITH CUSTOMERS**



**NONSTONE**

No.90-1,Pei-shih-Chou, Ming-Ho Vil.,  
Shan-Shang Dist., Tainan City 74342  
TAIWAN

T E L : +886 6 5782799

F A X : +886 6 5783077

E-mail : [info@nonstone.com.tw](mailto:info@nonstone.com.tw)

Website: [nonstone.com](http://nonstone.com)