

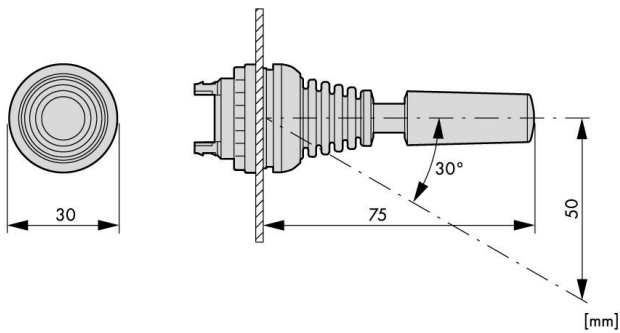
Joystick, 4 positons, spring-return, titan ring



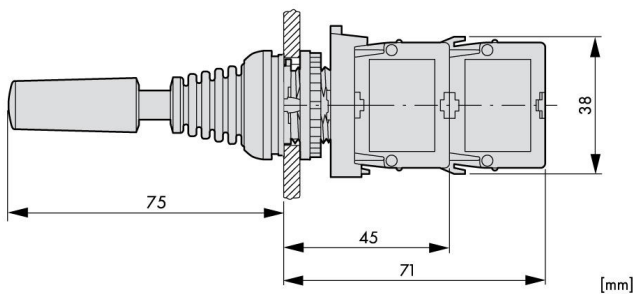
Technical Data

Handle type	Toggle
Illumination	non-illuminated
Colour	Black/light gray
Make-up	others
Function	spring-return
IP Rating	IP69K IP67
Optional Accessories	MM279436--;MM279437--
shock resistance	30G
Ambient temperature Open (°C)	-25°C...+70°C
Climatic proofing	Damp heat, constant, to IEC 60068-2-78 Damp heat, cyclic, to IEC 60068-2-30
Standards	IEC/EN 60947, VDE 0660
Actuating force (N)	5
Lifespan, mechanical	5000000 Operations
Operating frequency	< 3600 Operations
Mounting position	any
Type No.	M22-WJ4

Dimensioned drawing: Joystick, 4 positons, spring-return, titan ring



Dimensioned drawing: Joystick, 4 positons, spring-return, titan ring



Article Table

DESCRIPTION	Order No.
Joystick, 4 positons, spring-return, titan ring	MM279417
Optional Accessories	
Labelholder + Label for individual marking	MM279436
Fixing adapter, 4 mounting locations	MM279437