

6W



Application

LK12-W Series LED light is designed for instrument cabinet illumination of various switchgear, built in infrared sensor switch, and simplify the user's application design.

Features and advantage

- Built in infrared sensor switch, the user do not install additional switch.
- Economize on energy, In the case of illuminate effect same alike the traditional light, economizing on energy is 75% above.
- Life span is long, the LED light source, someone call it the longevity light, meaning to extinguish never. It's the solid cold light source, adopt a special electric circuit design, the life span can reach to for 100,000 hours, comparing traditional light source life span to grow 1000% above.
- The environmental protection performance is better, without ultraviolet ray and infrared rays in the spectrum, without calories and radiate, the dizzy light is small, and the castoff can recover, without pollution and do not contain the mercury chemical Element. The cold light source, can be touched, belong to typical model of the green illuminate light source.
- Special circuit design, if anyone LED is bad, it isn't without influence to normal illumination of others LED.
- Special structure design, light body position can be adjusted, that solves the problem of less illumination angle of LED.

Power supply	AC(50/60Hz)/DC (80-265V), or other voltage customer demand.
Average illuminance at 300mm from lamp	>300lx
Color rendering index Ra	> 85
Switch	built in infrared switch, active distance 20-80mm
Terminal	screw terminal, 0.5-2.5mm ²
Working environment temperature	-25~+55 ℃
Fix method	Two hole fixation
Color of the light	white
Protection class	IP20
Withstand voltage	AC2500V, 1Min
luminescence component	LED
Rated humidity	25~95%
Mean life	More than 100,000h
Power	6W

Models explanation

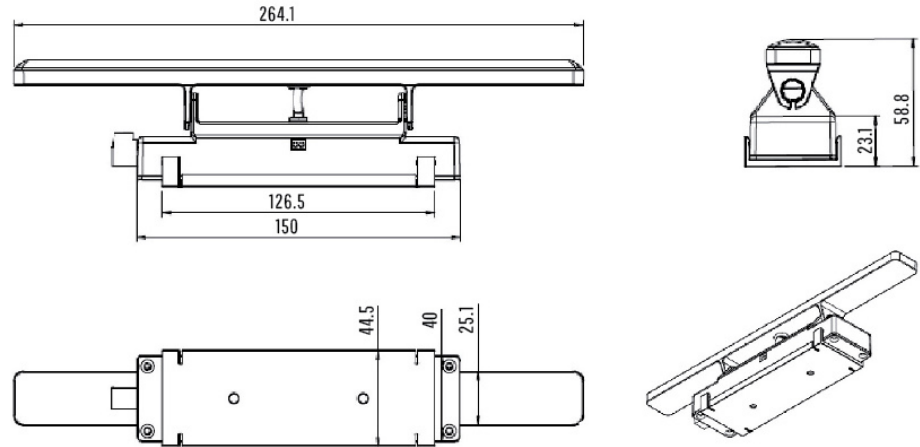
LK 12 - W - □

Voltage code A: AC(50/60Hz)/DC (80-265V), C: DC48V, D: DC24V

Light color: White

Design number

Dimensions



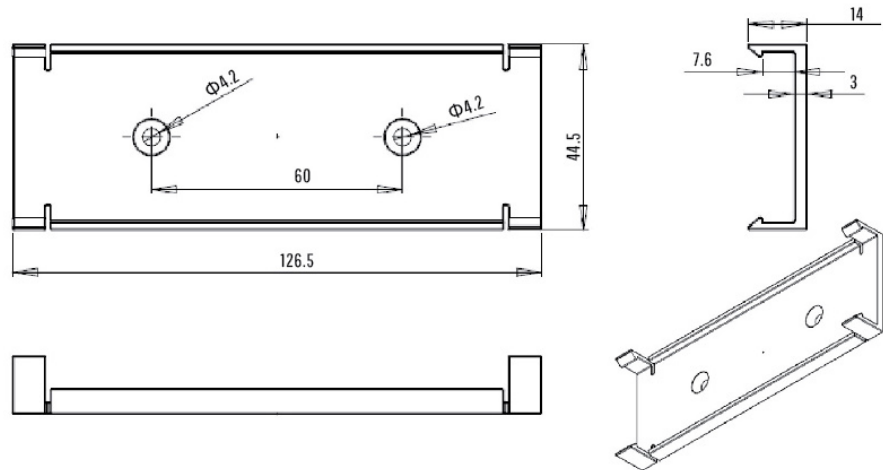
Mounting

Installation: first fix the fixed plate on the position that the lamp need to be install , and then push the lamp into the fixed plate to complete the installation.

Remove: use a screwdriver to remove 4 bayonet from the slot of the fixed plate, and then extract the lamp to complete the disassembly.

Fixed screw: Slotted countersunk flat head screws (common head style), M4x8, ISO 2009

The following drawing specify a fixed plate size , please use this drawing to design the mounting hole.



Note: Infrared sensor should be parallel to the reflecting surface.



Infrared sensor



Application

LK13-W Series LED light is designed for instrument cabinet illumination of various switchgear, built in switch , and simplify the user's application design.

Features and advantage

- Built in switch, the user do not install additional switch.
- Economize on energy, In the case of illuminate effect same alike the traditional light, economizing on energy is 75% above.
- Life span is long, the LED light source, someone call it the longevity light, meaning to extinguish never. It's the solid cold light source, adopt a special electric circuit design, the life span can reach to for 100,000 hours, comparing traditional light source life span to grow 1000% above.
- The environmental protection performance is better, without ultraviolet ray and infrared rays in the spectrum, without calories and radiate, the dizzy light is small, and the castoff can recover, without pollution and do not contain the mercury chemical Element. The cold light source, can be touched, belong to typical model of the green illuminate light source.
- Special circuit design, if anyone LED is bad, it isn't without influence to normal illumination of others LED.
- Special structure design, light body position can be adjusted, that solves the problem of less illumination angle of LED.

Power supply	AC(50/60Hz)/DC (80-265V) , or other voltage customer demand.
Average illuminance at 300mm from lamp	>300lx
Color rendering index Ra	> 85
Switch	built in switch
Terminal	screw terminal, 0.5-2.5mm ²
Working environment temperature	-25~+55 ℃
Fix method	Two hole fixation,
Color of the light	white
Protection class	IP20
Withstand voltage	AC2500V, 1Min
luminescence component	LED
Rated humidity	25~95%
Mean life	More than 100,000h
Power	6W

Models explanation

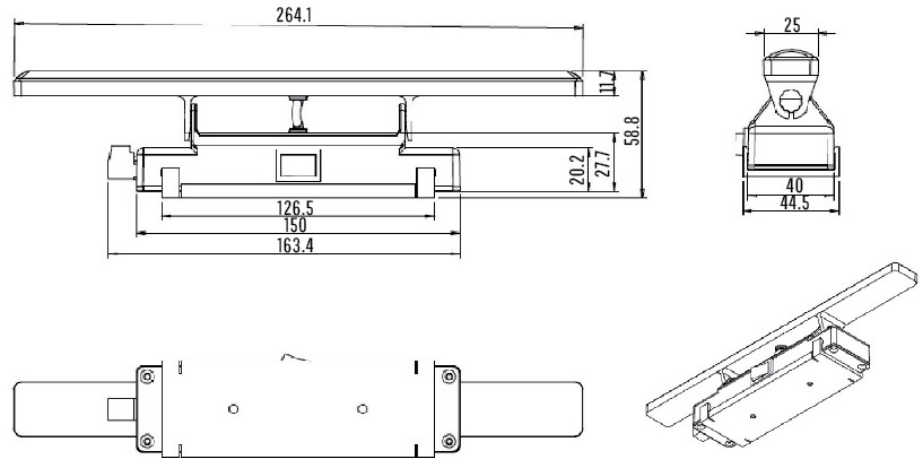
LK 13 - W - □

Voltage code A: AC(50/60Hz)/DC (80-265V), C: DC48V, D: DC24V

Light color: White

Design number

Dimensions



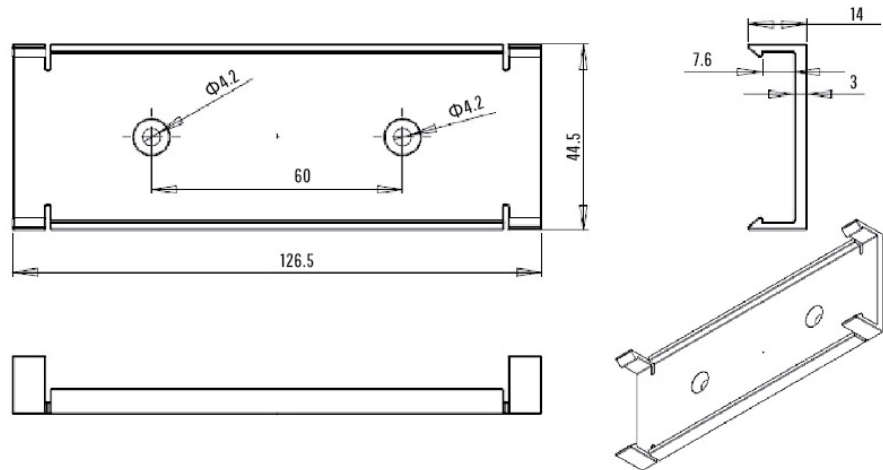
Mounting

Installation: first fix the fixed plate on the position that the lamp need to be install , and then push the lamp into the fixed plate to complete the installation.

Remove: use a screwdriver to remove 4 bayonet from the slot of the fixed plate, and then extract the lamp to complete the disassembly.

Fixed screw: Slotted countersunk flat head screws (common head style), M4x8, ISO 2009

The following drawing specify a fixed plate size , please use this drawing to design the mounting hole.

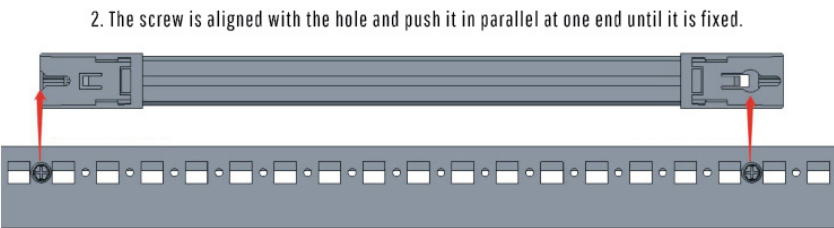
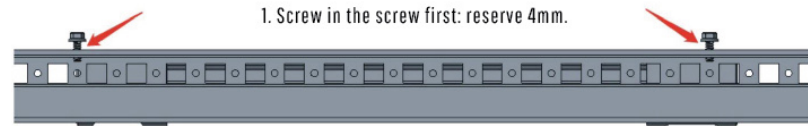


LCL-6W LED Lamp for Cabinet

6W



Installation diagram



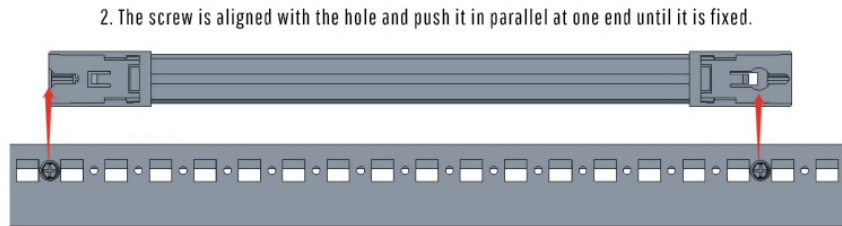
Model	LCL-6W.024	LCL-6W.230
Dimensions(L/W/H)	390x30x45	390x30x45
lamp body material	Aluminum+PC	Aluminum+PC
Surface treatment	Oxidation	Oxidation
Flame retardant grade (plastics)	V-1	V-1
power supply	Constant current	Constant current
input power	6W	6W
input voltage	24V	220V
Rated frequency	50/60	50/60
Input current	65mA	65mA
Consumed power	6kW/h	6kW/h
Luminous flux	500LM	500LM
Color temperature	6500±575K	6500±575K
Mean life	20,000h	20,000h
environment temperature	-30 - +50 °C	-30 - +50 °C

LCL-12W LED Lamp for Cabinet

12W



Installation diagram



Model	LCL-12W.024	LCL-12W.230
Dimensions(L/W/H)	500x30x45	500x30x45
lamp body material	Aluminum+PC	Aluminum+PC
Surface treatment	Oxidation	Oxidation
Flame retardant grade (plastics)	V-1	V-1
power supply	Constant current	Constant current
input power	12W	12W
input voltage	24V	220V
Rated frequency	50/60	50/60
Input current	65mA	65mA
Consumed power	6kW/h	6kW/h
Luminous flux	500LM	500LM
Color temperature	6500±575K	6500±575K
Mean life	20,000h	20,000h
environment temperature	-30 - +50℃	-30 - +50℃

LKL10-W / LKL10-W-3 LED Light Used For Switchgear Instrument Cabinet

1.2-3W



Application

LKL10-W Series LED light is designed for instrument cabinet illumination of various switchgear.

Features and advantage

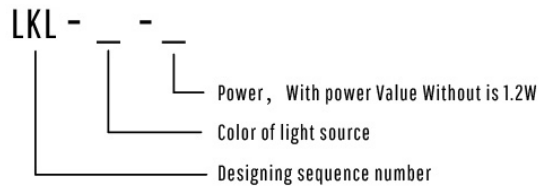
- Economize on energy, In the case of illuminate effect same alike the traditional light, economizing on energy is 75% above.
- Life span is long, the LED light source, someone call it the longevity light, meaning to extinguish never. It's the solid cold light source, adopt a special electric circuit design, the life span can reach to for 100,000 hours, comparing traditional light source life span to grow 1000% above.
- The environmental protection performance is better, without ultraviolet ray and infrared rays in the spectrum, without calories and radiate, the dizzy light is small, and the castoff can recover, without pollution and do not contain the mercury chemical Element. The cold light source, can be touched, belong to typical model of the green illuminate light source.
- Special circuit design, if anyone LED is bad, it isn't without influence to normal lamination of others LED.
- Special structure design, light body position can be adjusted, that solves the problem of less lamination angle of LED.
- The power supply adapt to AC/DC 110-230V, suitable in application case of switchgear especially .
- With two mounting methods of clamp and fixation.

Enclosure material	PC-ABS(halogen-free)
Protection category	IP 20
Power supply	AC(50/60Hz)/DC 110V-230V
Wire connection	1×4mm ² or 2×1.5mm ²
Insulating strength	AC2500V, 1Min
luminescence component	LED
Ambient temperature	-25-50 °C
Relative humidity	25~95 %
Mean life	More than 100,000h

LKL10-W / LKL10-W-3 LED Light Used For Switchgear Instrument Cabinet

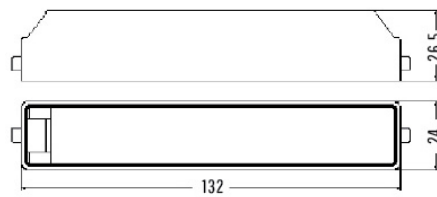
1.2-3W

Models explanation

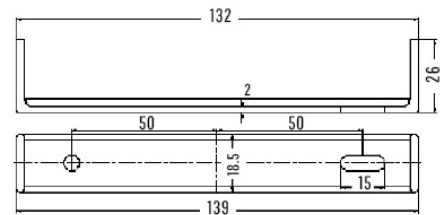


TYPE	LKL10-W	LKL10-W-3
Color of light source	White	Black
Power	1.2W	3W

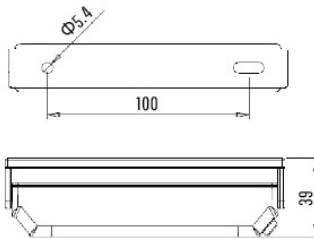
Dimensions



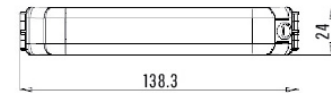
Dimension of LKL10-W light body



Dimension of LKL10-W light bracket



Dimension of LKL10-W-3 light body



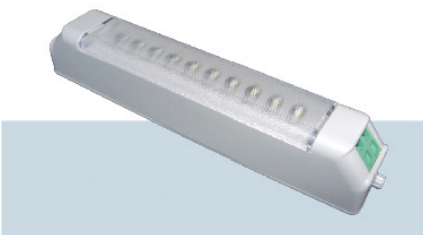
Dimension of LKL10-W-3 light bracket

Mounting

Assemble by clamp or bolt fixation. Assemble bracket first, then connect the power cable into light body terminal, insert the terminal side of light body into assemble hole of bracket, another side insert into the another side of bracket with screwdriver.

The angle between the support and the light body can be adjust according to the lumination need.

LKL10-W Light body



LKL10-W Bracket



LKL10-W assembled



LK 025 Energy-saving light

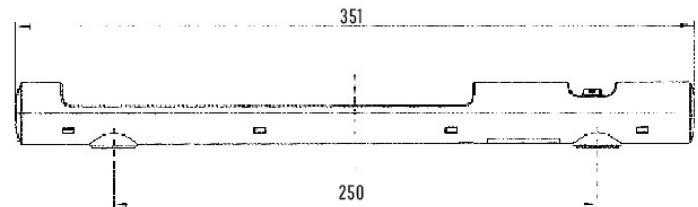
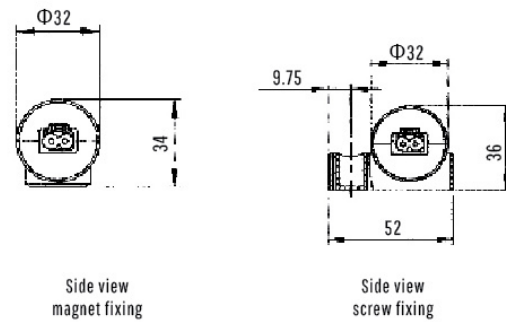
5W



- Wide voltage range
- Integrated power unit
- Long-lived, maintenance-free
- Energy-saving by LED technology
- Daisy chain
- Magnet or screw fixing
- Quick connection

The lamp series LK 025 is suitable for all types of panels and enclosures, especially where space is at a premium. The lamps have a very long service life thanks to the use of LED technology. They are available with powerful non-slip rubberized magnets allowing them to be quickly positioned in any steel enclosure. Alternatively they can be fixed mechanically. The power output allows up to 10 lamps to be connected to each other (daisy chain). Both the power input and output connectors snap lock into their sockets. With the integrated power unit and the plugs the lamp can quickly be connected.

Dimensions

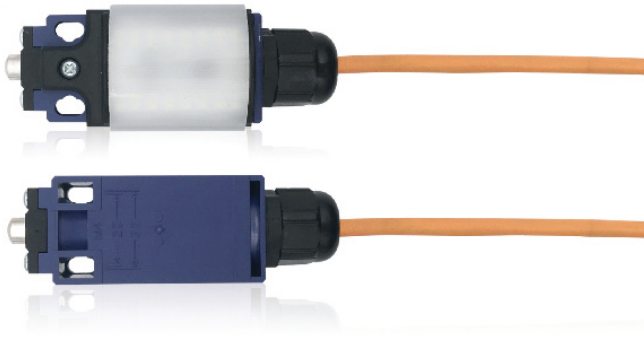


Power consumption	max. 5W
Luminosity	290lm at 120 °C (870lm at 360 °C or equivalent 75W light bulb)
Lamp type	LED, angle of radiation 120° Light color: daylight, color temperature: 6,500K
Service life	60,000h at 20 °C (68°F) 2-pole connector with snap lock
Connection	AC: max. 2.5A / 240VAC, color: white DC: max. 2.5A / 60VDC, color: blue
Mounting	magnet fixing or screw fixing, M5, 250mm centers
Casing	plastic, transparent
Dimensions	351 x 34 x 32mm (with magnet fixing) 351 x 36 x 32mm (with screw fixing)
Operating / Storage temperature	-30 - +60 °C (-22 - +140°F) / -40 - +85 °C (-40 - +185°F)
Operating / Storage humidity	max. 90% RH (non-condensing)
Protection type / Protection class	IP20 / II (double insulated)

Art. No. magnet fixing	Art. No. Screw fixing	Rated operating voltage, frequency	Switch	Weight (approx.)
02540.0-00	02540.0-01	100-240VAC, 50/60Hz (min. 90VAC, max. 265VAC)	on/off light switch	0.2kg
02540.1-00	02540.1-01	24-48VDC (min. 20VDC, max. 60VDC)	on/off light switch	0.2kg

PCLS-LED40 lamp for cabinet

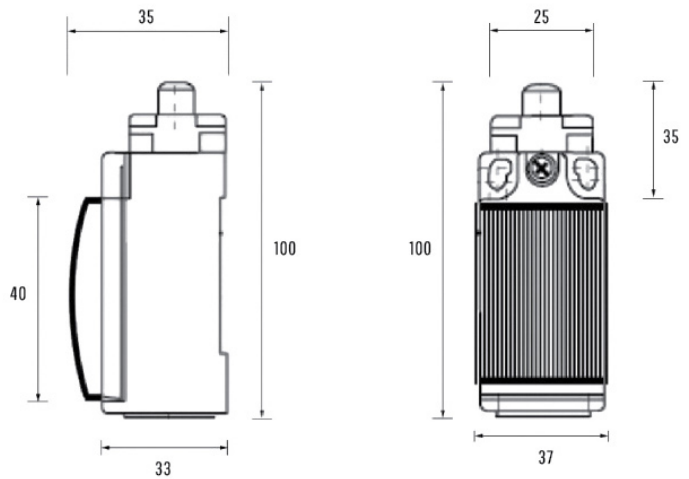
7W



Features

- Small size, high light efficiency.
- Smooth movement, stable performance.
- Switch life up to 1 million times.
- High quality nylon waterproof cable head.
- Precision stainless steel punch switch.
- High performance flame retardant ABS.

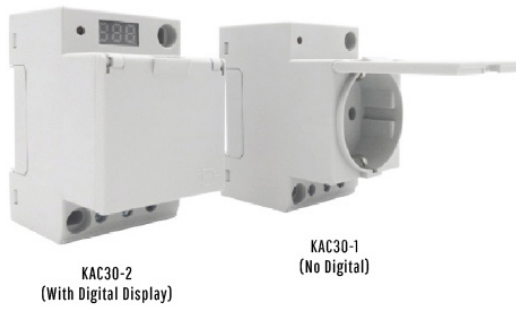
Dimensions



Model No.	PCLS LED40
Rated voltage	AC 180-230 V
Rated power	7 W
Luminous flux	>600 LM
Color temperature	6000-6500 K
Mean life	20,000 h
Operating temperature range	-10-+70°C
Weight	176g
Dimensions	W37×D35×H100mm
Switch Mode	Stroke (gated) switch
Mounting	Screw fixing
Cable length	2000mm
Protection degree	IP20
Power interface	Positive and negative pole (L/N)
Operation frequency	Mechanical 120 operations/min, Electrical 30 operations/min

KAC30 series Rail-type modular socket (Euro-standard)

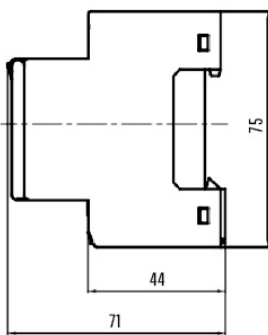
IP20



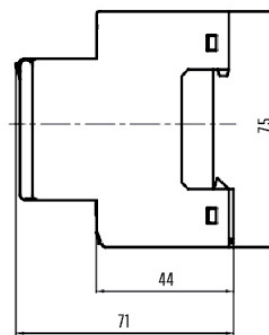
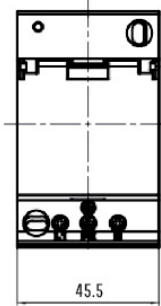
This product series is the latest rail-type modular jack (Euro-standard) developed by LINKWELL. It can be divided into KAC30-1 and KAC30-2 for different users. It can be installed in the cabinet, suitable for DIN-rail installation, and can be used with other modular terminal electrical appliances, with good contact reliability. The KAC30-2 features humanized digital display, real-time display of high and low voltage changes, which can reduce the fault tolerance caused by voltage, its observability and safety are better guaranteed.

1. Modular is in accordance with a certain standard size and structure composition, can be arbitrarily combined out of the required configuration.
2. The products are mainly used in homes, offices, farms, light industries, etc., and can be used by non-professionals. In most cases, they are connected to electricity and equipment.
3. The sockets in the modular socket are of standard size (mainly with Euro-standard or DIN-Standard plug). The structure has single phase 2 holes, single phase 3 holes, three phase 3 holes, three phase 4 holes.
4. The main installation method is DIN-rail installation (or screw installation), which is easy to install and disassembly.

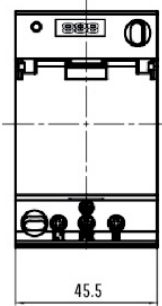
Dimension



KAC30-1 (No Digital)



KAC30-2 (With Digital Display)



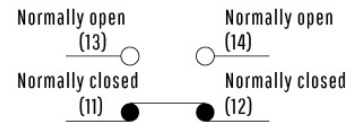
Model	KAC30-1 (No Digital), KAC30-2 (With Digital Display)
Rated voltage	180-250V
Rated current	10-16A
Protection class	IP20
Shell material	Polyamide PA66
Product dimensions (H/W/D)	75×45.5×71mm
Conductive material	Copper
Pole	2P
Weight	66g
Operating temperature range	-20- +150℃
Service life	30000h
Wiring cross-section	Solid 0.2-4mm ² Flexible 0.25-2.5mm ² AWG24-12
Screw-thread	M3
Mounting	35mm DIN DIN-rail
Approvals	CE/3C



Features

- Economic thermoplastic
- Stainless steel roller, punch, and Spring
- Max. ±95° rotary lever
- Cable gland size M20*1.5

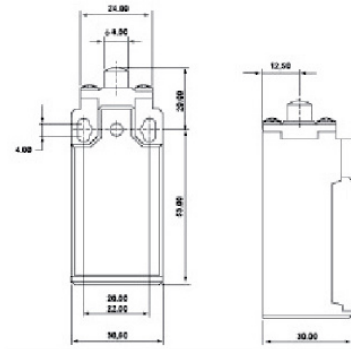
Contact configurations



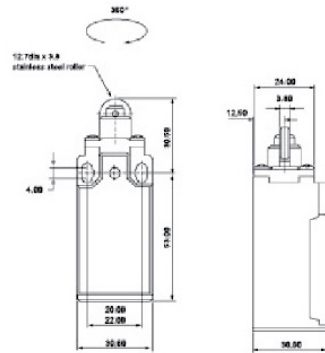
Operating speed	0.5 mm/s to 50cm/s (in case of pin plunger)
Operating frequency	Mechanical: 120 operations/ min Electronic: 30 operations/ min
Contact Resistance	25mΩ (mm) (Initial)
Insulation resistance	100mΩ Min. at 500VDC
Dielectric strength	1000VAC, 50/60Hz/ 1 min between terminals of same polarity 1500VAC , 50/60Hz/ 1 min between current-carrying metal parts and ground 1500VAC , 50/60Hz/ 1 min between each terminal and non- current-carrying metal part
Vibration resistance	10-55 Hz, 1.5mm double amplitude
Shock resistance	Mechanical durability: 1,000m/Sec2(approx.100G`S) False action durability: 300m/Sec2(approx.30G`S)
Ambient operating temperature	Operating -10 -- 70 °C (no icing)
Ambient operating Humidity	95%RH Max
Service life	Mechanical >10,000,000 operations, Electrical >500,000 operations
Degree of protection	IP65 (IEC standard)

Code	PLS	101	103	111	121	127	131	161	171	181	191
		301	303	311	321	327	331	361	371	381	391
Operating force	OF(Max.)	700g	700g	700g	500g	700g	500g-cm	100g	100g	100g	500g-cm
Release force	RF(Min.)	200g	200g	200g	100g-cm	200g	100g-cm	40g	40g	40g	100g-cm
Pre-Travel	PT(Max.)	1.8mm	1.8mm	1.8mm	20°	1.8mm	20°	30mm	30mm	30mm	20°
Tripping position	TP±10%	2.0mm	2.0mm	2.0mm	22.5°	2.0mm	22.5°	22.5°	22.5°	22.5°	22.5°
Movement differential	MD(Max.)	1.2mm	1.2mm	1.2mm	10°	1.2mm	10°	14°	14°	14°	10°
After travel	OT(Min.)	4.0mm	4.0mm	4.0mm	75°	4.0mm	75°	20mm	20mm	20mm	75°
Total travel	TT(Min.)	5.8mm	5.8mm	5.8mm	95°	5.8mm	95°	50mm	50mm	50mm	95°
Angle of rotary lever					22.5°		22.5°				22.5°

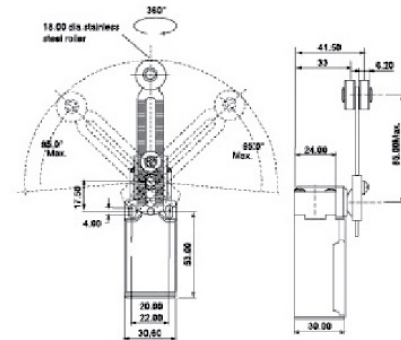
PLS-101



PLS-103



PLS-131 (Thermoplastic roller available)

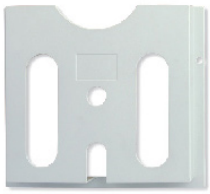


Ratings

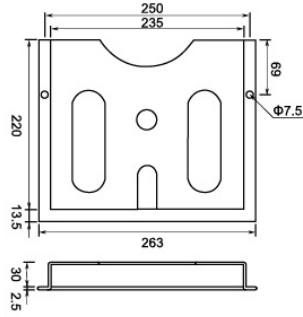
Rated voltage	Non-inductive load (A)				Inductive load (A)			
	Resistive load		Lamp load		Inductive load		Motor load	
	NC	NO	NC	NO	NC	NO	NC	NO
125VAC	5	5	1.5	0.7	3	3	2	1
250VAC	5	5	1	0.5	3	3	1.5	0.8
8VDC	5	5	3	3	5	4	3	3
14VDC	5	5	3	3	4	4	3	3
30VDC	5	5	3	3	4	4	3	3
125VDC	0.4	0.4						
250VDC	0.2	0.2						
Inrush current	N.C.:24A max.、N.O.:12A max.							

Note: 1. Inductive loads have a power factor of 0.4 min. (AC) and a time constant of 7 msec max. (DC).
 2. Lamp loads have an inrush current of 10 times the steady-state current. Motor loads have an inrush current of 6 times the steady-state current.
 3. For the products with spring, the operating range is limited to the part from the front of the spring to the 1/3 full length of the spring.

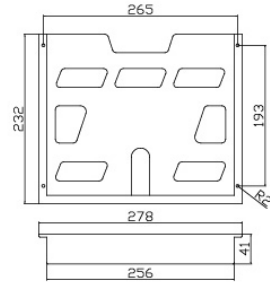
WJ-1/2/3/4 Documents Pocket



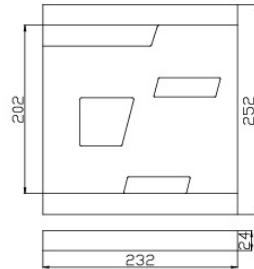
Documents Pocket WJ-1



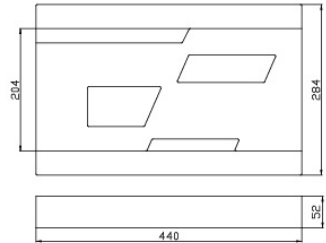
Documents Pocket WJ-2



Documents Pocket WJ-3



Documents Pocket WJ-4



Product back

WJ-1



WJ-2



WJ-3



WJ-4



Plastic Documents Pockets
For affixing to the inside surfaces of panel doors

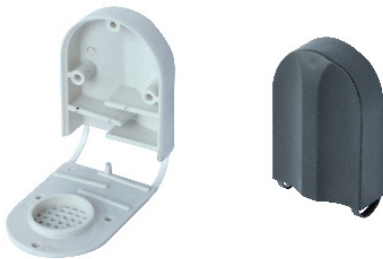
Material :
plastic ABS with self-adhesive fastening strips 3M adhesive tape

Installation:
Screw mounting or adhesive tape mounting

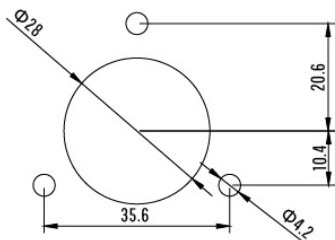
Colour:
Similar to RAL7035

LK-705 Air Pressure Ventilator

IP54



Sealed enclosures when subject to external temperature fluctuations develop pressure differential toward the ambient. As a consequence entrance of dust and/or humidity is likely to happen through leakage points. Installing a LK-705 prevents this risk while preserving a high protection degree for the enclosure.



Features	unit	Characters
Material	-	ABS self-extinguishing
Color	-	Grey(RAL7035), Black(RAL9005)
Protection degree	-	IP54
Fixing	-	Screws with rubber gasket
Dimensions H/W/D	mm	70x50x21
Weight	kg	0.03

DA 084 Pressure Compensation Device

IP55

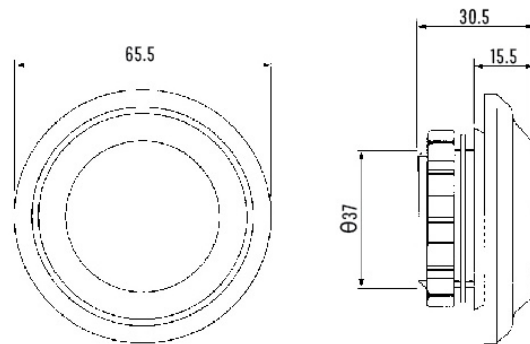


- High degree of protection
- Easy to install

It has become more and more important to provide a protected enclosure environment for valuable and crucial electrical and electronic components. In a tightly closed enclosure, pressure differentials can occur during extreme temperature variations. The specially designed pressure compensation device DA 084 permits a controlled change in pressure and avoids the entering of dust and water. The pressure compensation device is suitable for the use in enclosures and housings in accordance with DIN EN 62208.

Make cut-out ϕ 37mm in enclosure wall and mount pressure compensation device with nut. Please make sure that the sealing gasket is put in place on the outer side panel of the enclosure. For optimal pressure compensation we recommend to use two devices on opposite sides towards the top of the enclosure. Installation

Dimensions



Mounting	PG 29 thread with union nut
Material	plastic according to UL94 V-0
Air interface	approx. 7cm ²
Dimensions	Φ 65.5x30.5mm
Fitting position	Vertical installation
Operating / Storage temperature	-45 - +70 °C (-49 - +158°F)

Art. No.	Protection type	1 packing unit	Weight (approx.)
08400.0-04	IP55	2	62g (31g/piece)

DA 284 Pressure Compensation Device

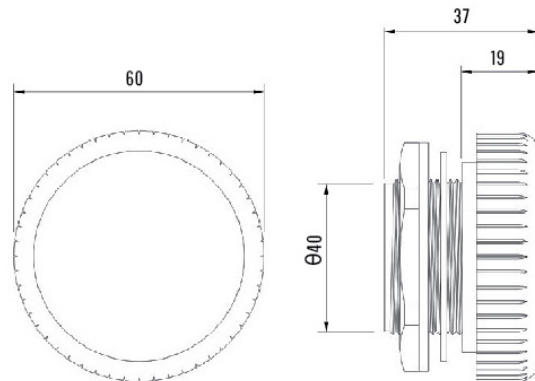
IP66



- High degree of protection
- Waterproof membrane
- Easy to install

Pressure differentials in enclosures with a high degree of protection are a result of internal and external temperature changes. In the case of negative pressure or partial vacuum, dust and humidity can enter the enclosure through the door seal. When the air inside the enclosure cools down, condensation may occur because the humidity cannot escape the enclosure. The easy-to-install pressure compensation device DA 284 provides compensation of pressure at a protection degree of IP66. Even with a slight overpressure, a waterproof membrane inside the plug allows the humidity to escape whilst blocking water and dirt from entering the enclosure. Make cut-out $\varnothing 40.5 \pm 0.5\text{mm}$ in enclosure wall and mount pressure compensation device with nut. Please make sure that the sealing gasket is put in place on the outer side panel of the enclosure. For optimal pressure compensation we recommend to use two devices on opposite sides towards the top of the enclosure.

Dimensions



Mounting	thread M40 x 1.5 with nut
Torque	5Nm (max. 10Nm)
Depth in enclosure	approx. 16mm
Sealing	sealing gasket NBR
Filter	waterproof membrane
Air permeability	1200l/h at a pressure difference of min. 70mbar
Dimensions	$\varnothing 60 \times 37\text{mm}$
Fitting position	variable
Operating/Storage temperature	-35 - +70°C (-31 - +158°F)

Art. No.	Protection type	1 packing unit	Weight (approx.)
28400.0-00	IP66	2	90g (45g/piece)