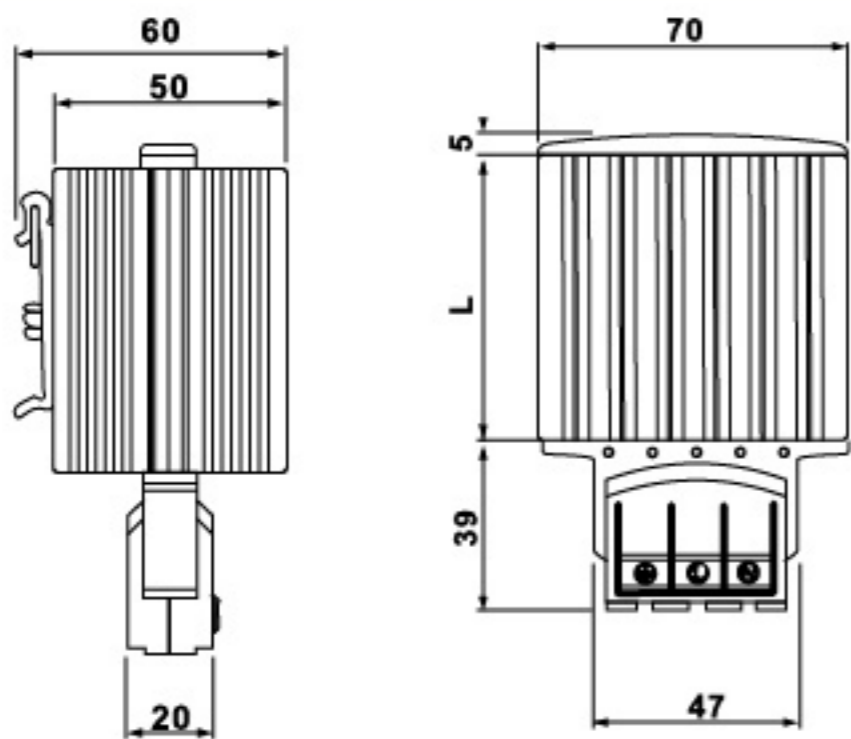




- Pressure clamp connectors
- Dynamic heating up
- wide voltage range
- Temperature limiting
- Energy saving
- Clip fixing
- Quick installation

These heaters are used in enclosures where damage from condensation must be prevented or where the temperature may not fall below a minimum value. The aluminium profile heater body design has a chimney effect and distributes the heat evenly. The pressure clamp connectors save time and simplify installation.

Size chart



Operating voltage	120-250V AC/DC
Heating element	PTC resistor, self regulating and temperature limiting
Heater body	extruded aluminium profile, anodised
Connection casing	3 pressure clamps for stranded wire 0.5-1.5mm <sup>2</sup> (with wire and ferrule) and rigid wire 0.5-2.5mm <sup>2</sup> plastic according to UL94 V-0, black
Mounting	clip for 35mm DIN rail, EN 50022
Fitting position	vertical
Operating/Storage temperature	-45 to + 70°C (-49 to +158°F)
Protection type/Protection class	IP20/I(earthed)
Certificate	CE

Operating with voltages below 140V AC/DC reduces heating performance by approx, 10%

Type	Heating capacity	Inrush current max.	Length(L) (mm)	Weight (approx)
HG 140	15W	1.5	75	0.3
HG 140	30W	3	75	0.3
HG 140	45W	3.5	75	0.3
HG 140	60W	2.5	75	0.3
HG 140	75W	4	75	0.3
HG 140	100W	4.5	145	0.5
HG 140	150W	9	145	0.5

