

Data Sheet for Article: MM216881--

Key-operated switch, 2 positions, spring-return, 40°

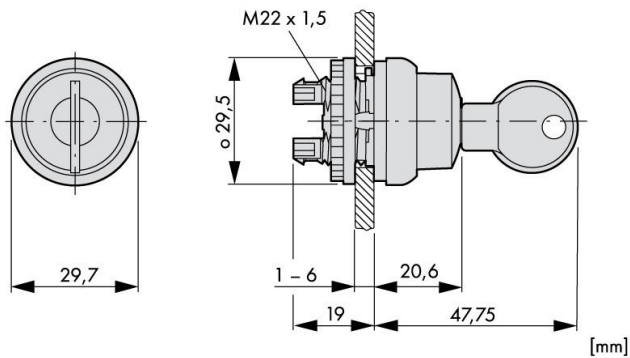
IP66



Technical Data

Handle type	key
Illumination	non-illuminated
Switching positions	0-1
Make-up	others
Function	spring-return
IP Rating	IP66
shock resistance	30G
Ambient temperature Open (°C)	-25°C...+70°C
Climatic proofing	Damp heat, constant, to IEC 60068-2-78 Damp heat, cyclic, to IEC 60068-2-30
Standards	IEC/EN 60947, VDE 0660
Tightening torque (Nm)	0,50
Lifespan, mechanical	100000 Operations
Operating frequency	< 100 Operations
Mounting position	any
Type No.	M22-WS

Dimensioned drawing: Key-operated switch, 2 positions, spring-return, 40°



Article Table

DESCRIPTION	Order No.
Key-operated switch, 2 positions, spring-return, 40° IP66	MM216881