

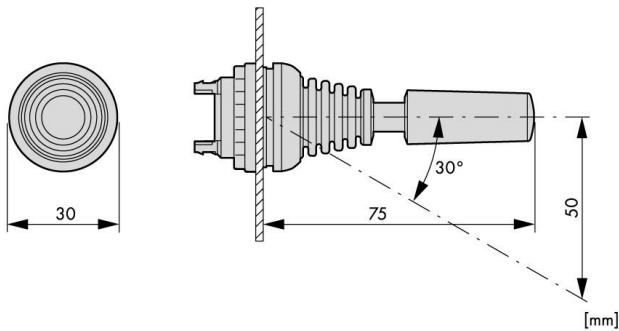
# Joystick 2 positions spring return vertical



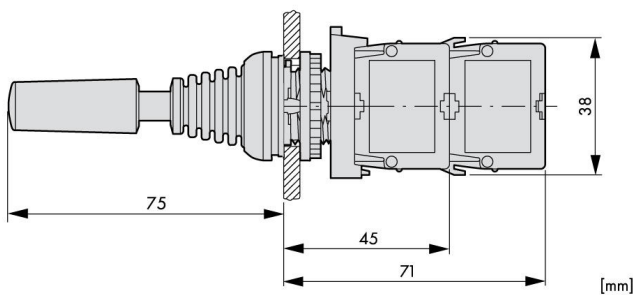
## Technical Data

Handle type	Toggle
Illumination	non-illuminated
Colour	Black/light gray
Make-up	others
Function	spring-return
IP Rating	IP69K IP67
Necessary Accessories	MM279437--
Optional Accessories	MM279436--
shock resistance	30G
Ambient temperature Open (°C)	-25°C...+70°C
Climatic proofing	Damp heat, constant, to IEC 60068-2-78 Damp heat, cyclic, to IEC 60068-2-30
Standards	IEC/EN 60947, VDE 0660
Actuating force (N)	5
Lifespan, mechanical	5000000 Operations
Operating frequency	< 3600 Operations
Mounting position	any
Type No.	M22-WJ2V

## Dimensioned drawing: Joystick 2 positions spring return vertical



## Dimensioned drawing: Joystick 2 positions spring return vertical



## Article Table

DESCRIPTION	Order No.
Joystick 2 positions spring return vertical	MM289196
<b>Necessary Accessories</b>	
Fixing adapter, 4 mounting locations	MM279437
<b>Optional Accessories</b>	
Labelholder + Label for individual marking	MM279436