

Phase-Indicator 230/400 V AC, 3 poles



SCHRACK-INFO

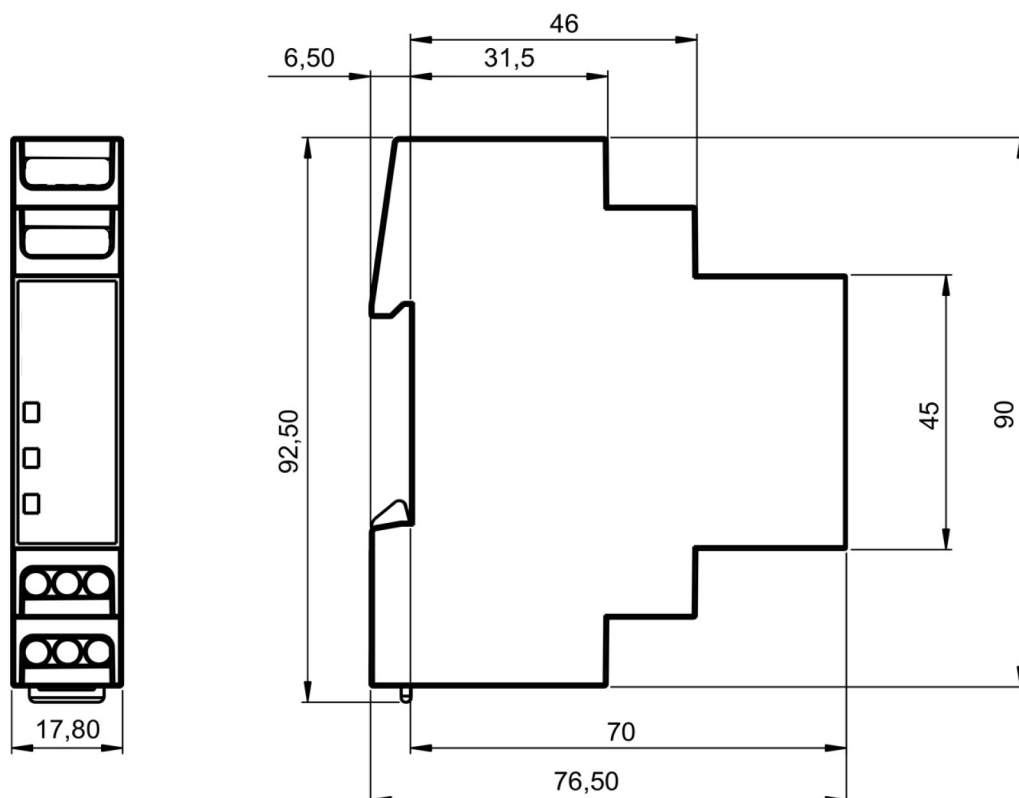
- Single LED for all three phases
- Indicator LED lights up green even if N is missing
- Monitored conductors: phase L1, L2, L3
- Optical indication: LED

Technical data

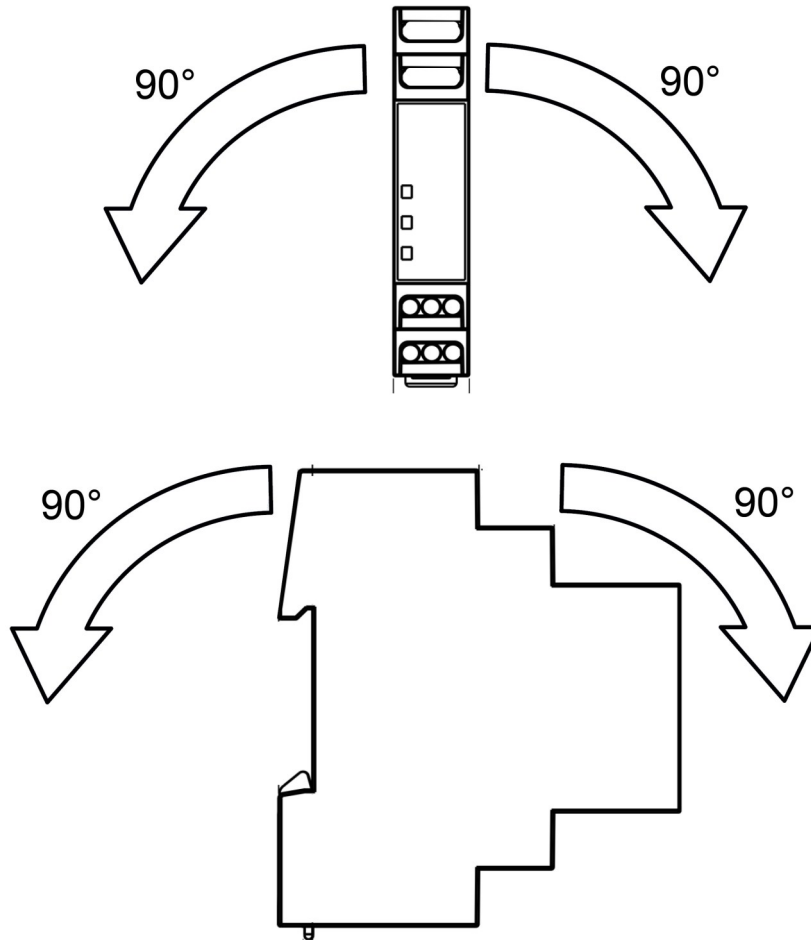
Standards	EN 61000 (EMC-Interference resistance)
	IEC/EN 61000-4-2, IEC/EN 61000-4-4
	IEC/EN 61000-4-5
	IEC/EN 60669, IEC/EN 60947-5-1
Poles	3P+N (1P+N)
Rated operational voltage $U_e$	230 / 400 V AC
Rated frequency	50 / 60 Hz
Operational voltage range	L-N, L-L, 85-690 V AC
	L-N, L-L, 85-690 V DC
Duty cycle	100%
Power consumption	3x23 mW

Rated impulse withstand voltage $U_{imp}$	6 kV (1,2/50) $\mu$ s
Overvoltage category	IV
Max. permissible back-up fuse	16 A gG (gL)
Comparative tracking index	CTI 600
Weight	42 g
Terminal	Lift terminal
Screw	Phillips PH 0
Cross section	flexible: 1 x 2,5 mm <sup>2</sup> , AWG 14
	solid: 1 x 4 mm <sup>2</sup> , AWG 12
	solid: 2 x 1,5 mm <sup>2</sup> , AWG 16
Torque $M_n$	0,5 Nm
Degree of protection (behind front plate)	IP 20 / IP 40
Touch protection	finger- and back-of-hand-proof BGV A3, ÖVE-EN 6
Temperature range	Ambient -30 °C to +60 °C
	Storage -40 °C to +60 °C
Flame class according to UL94	V0
Glow-wire test	960 °C
Pollution degree	2
Plastic	halogen-, phosphor- and siliconfree
Mounting	For hat rail according to IEC/EN 60715
	Without tools for 35 mm hat rail

**■** Dimensions

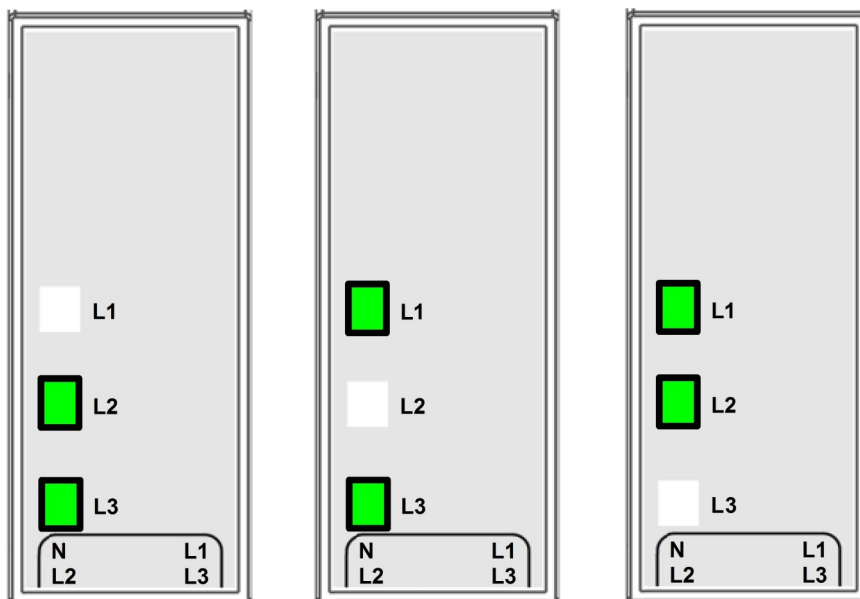


**Mounting position**



**Visualisation**

Missing phase does not light up

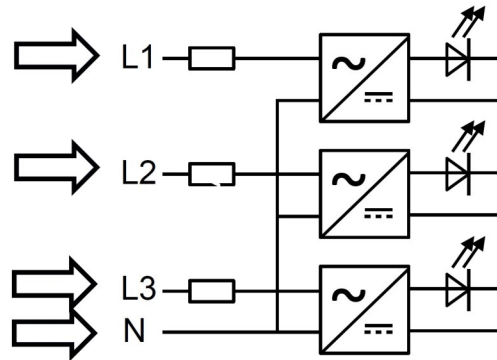


**■** Circuit diagram

3 Phasig / 3 phase

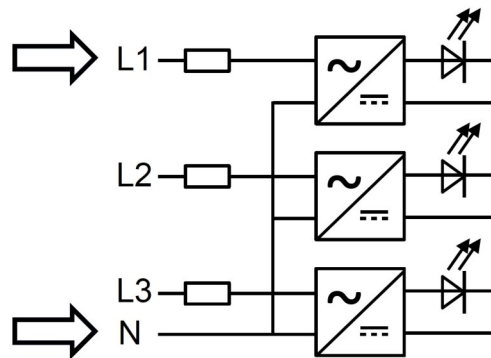
220/380 V AC  
230/400 V AC  
240/415 V AC

288/500 V AC  
400/690 V AC

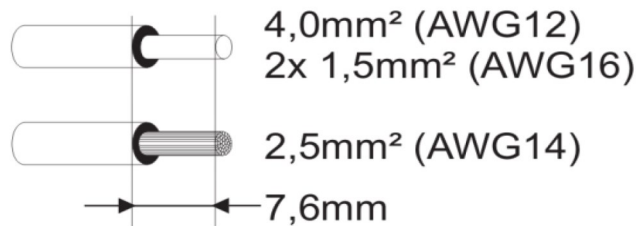
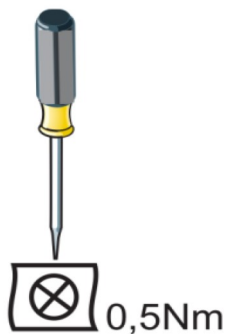


1 Phasig / 1 phase

85 - 690 V AC/DC



**■** Installation information



**■** Articles

DESCRIPTION	ORDER NO.
Phase-Indicator 230/400 V AC, 3 poles	BZ106803--