

# Narrow Industrial Relay, 2 CO, 24VDC, 5A, LED and PD

with protection diode, S-Relay, RXT series, with latching slider



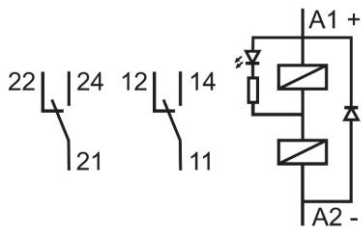
## Technical Data

Net weight (kg)	0,02
Min. ambient temperature (°C)	-40
Max. ambient temperature (°C)	55
Contact current (A)	5
Rated current [Resistive load] (A)	5
Rated voltage [Resistive load]	250VAC / 30VDC
Switching capacity [Resistive]	2000VA / 240W
Contact material	Ag alloy
Initial contact resistance (Ohm)	≤ 50mΩ
Electrical endurance (Operation cycle)	≥ 10 <sup>5</sup> operations (1800 operations/h)
Mechanical durability	≥ 10 <sup>7</sup> operations (18000 operations/h)
Pick-up voltage DC (V)	≤ 75% (Rated voltage)
Drop-out voltage DC (V)	≥ 10% (Rated voltage)
Maximum voltage (V)	110% (Rated voltage)
Insulation resistance	≥ 1000MΩ (500VDC)
Coil operating power [DC] (W)	~ 0,53W
Operate time [at nominal voltage] (ms)	≤ 20ms

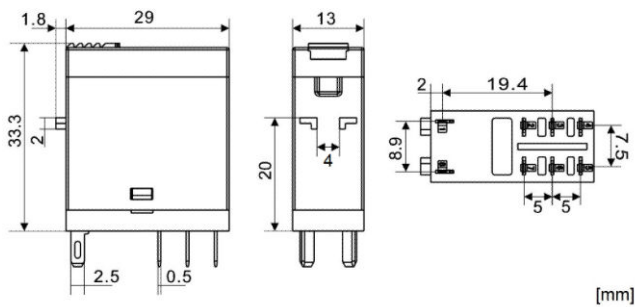
## Technical Data - continued

Release time [at nominal voltage] (ms)	≤ 10ms
Initial breakdown voltage	-
Between open contacts	1000VAC/1min
Between poles	2000VAC/1min
Between contact and coil	2000VAC/1min
Humidity (%)	35% - 85% RH
Air pressure	86 - 106kPa
shock resistance	10G
Vibration resistance	10 - 55Hz
Power loss (W)	0,50

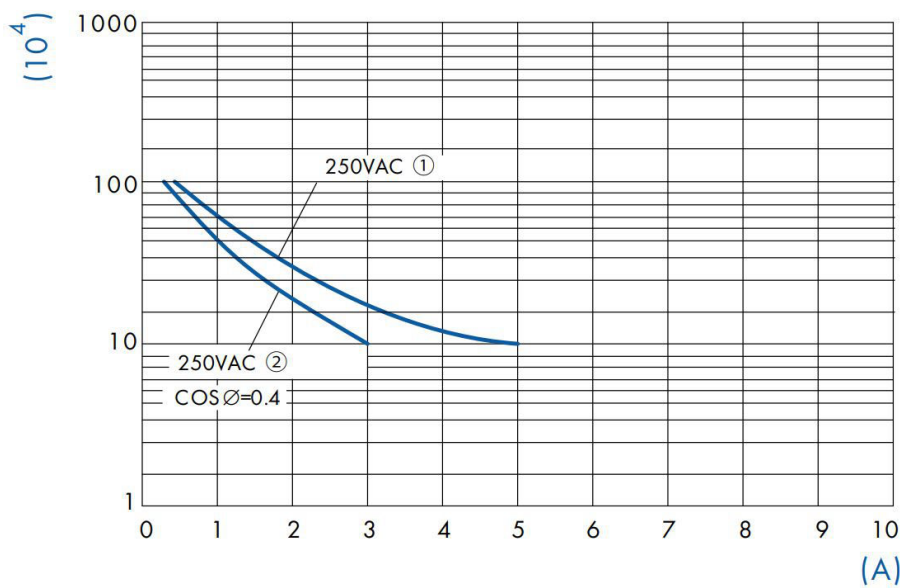
## Circuit diagram: Narrow Industrial Relay, 2 CO, 24VDC, 5A, LED and PD



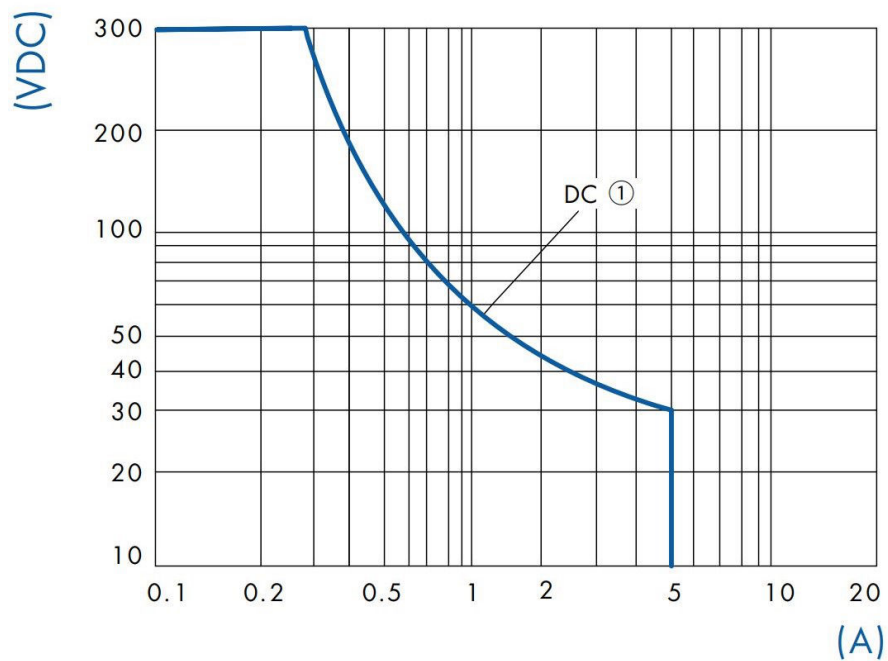
## Dimensioned drawing: Narrow Industrial Relay, 2 CO, 24VDC, 5A, LED and PD



## Elektrische Lebensdauer der Kontakte 1) ohmsche Last 2) induktive Last



## Maximales Schaltvermögen 1) ohmsche Last



## Article Table

DESCRIPTION	Order No.
Narrow Industrial Relay, 2 CO, 24VDC, 5A, LED and PD with protection diode, S-Relay, RXT series, with latching slider	RXT21LC4
<b>Optional Accessories</b>	
Screw socket, logical arrangement for 2-pole RXT relay S-Relay, RXT series	YRXT2010
Plug-in socket, logical arrangement for 2-pole RXT relay For Push in wiring. S-Relay, RXT series	YRXT2110