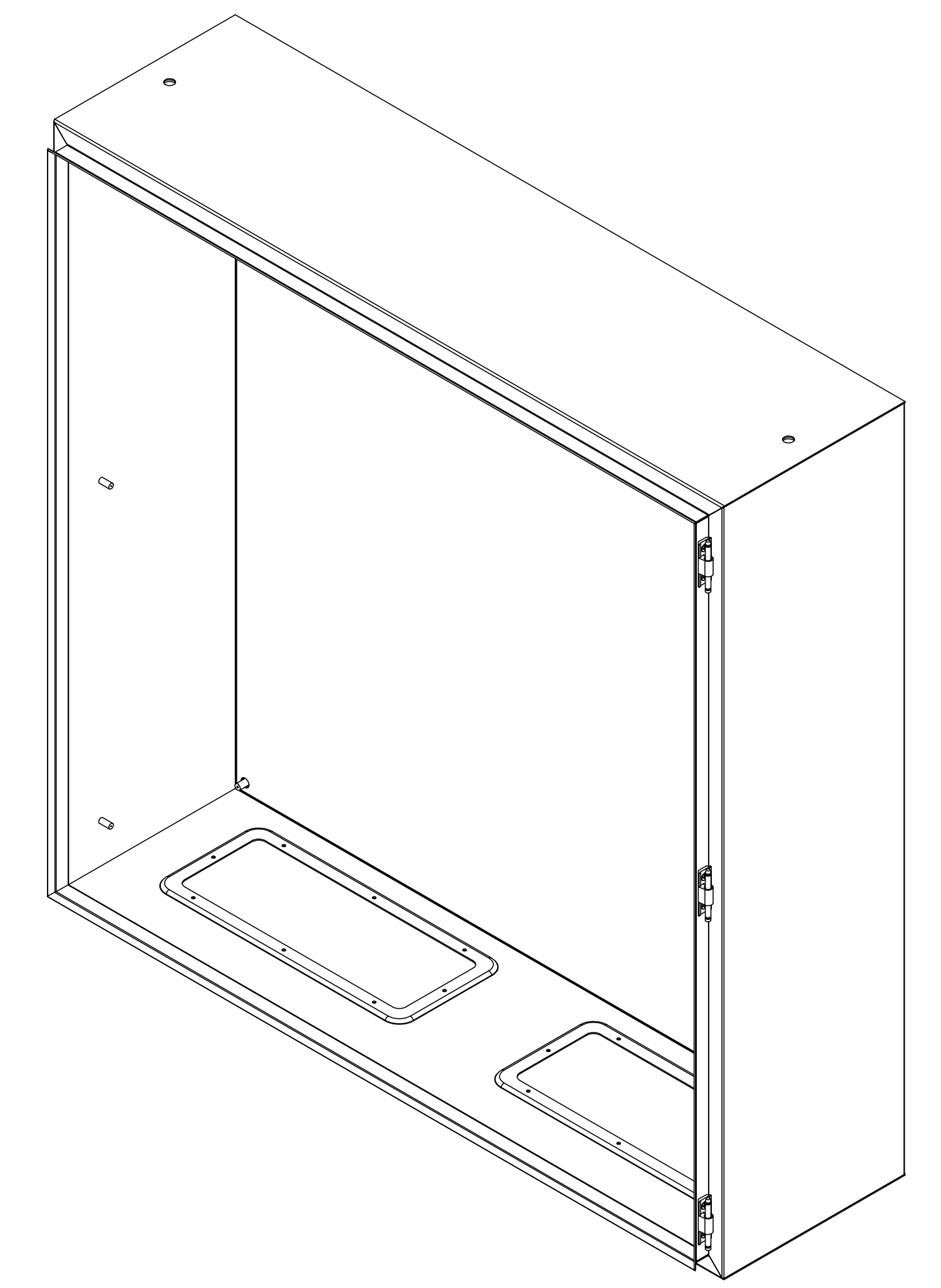
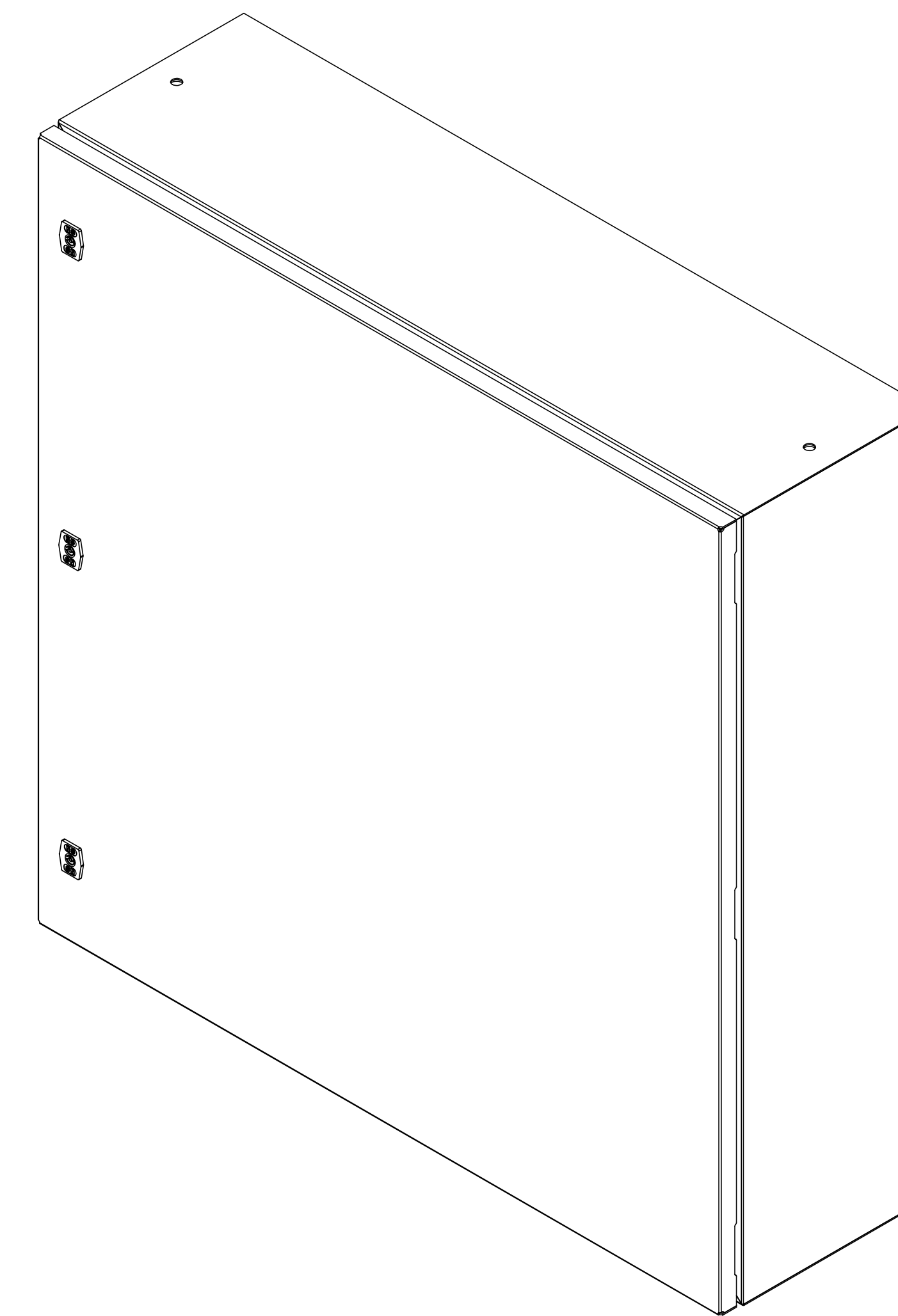
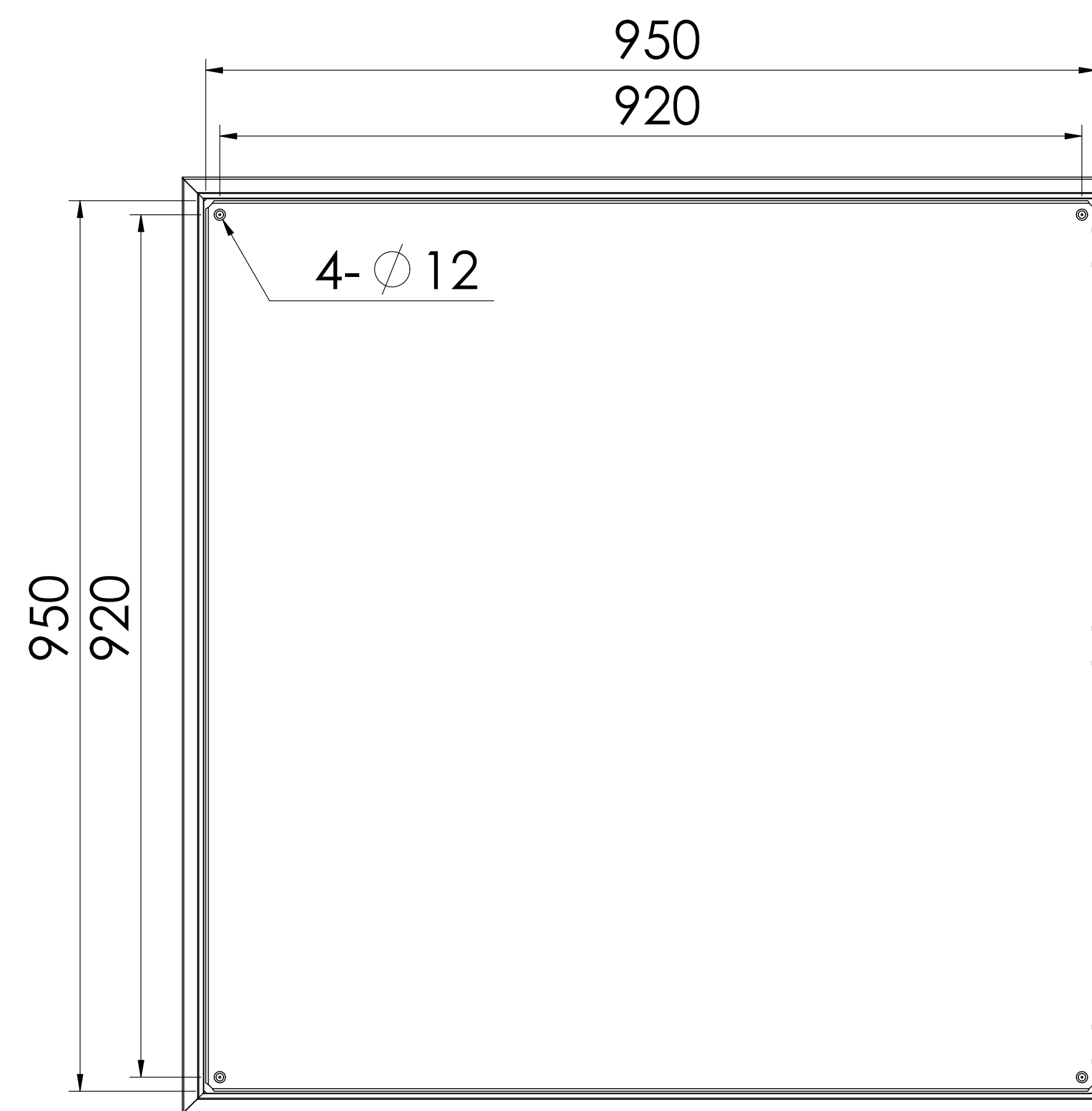


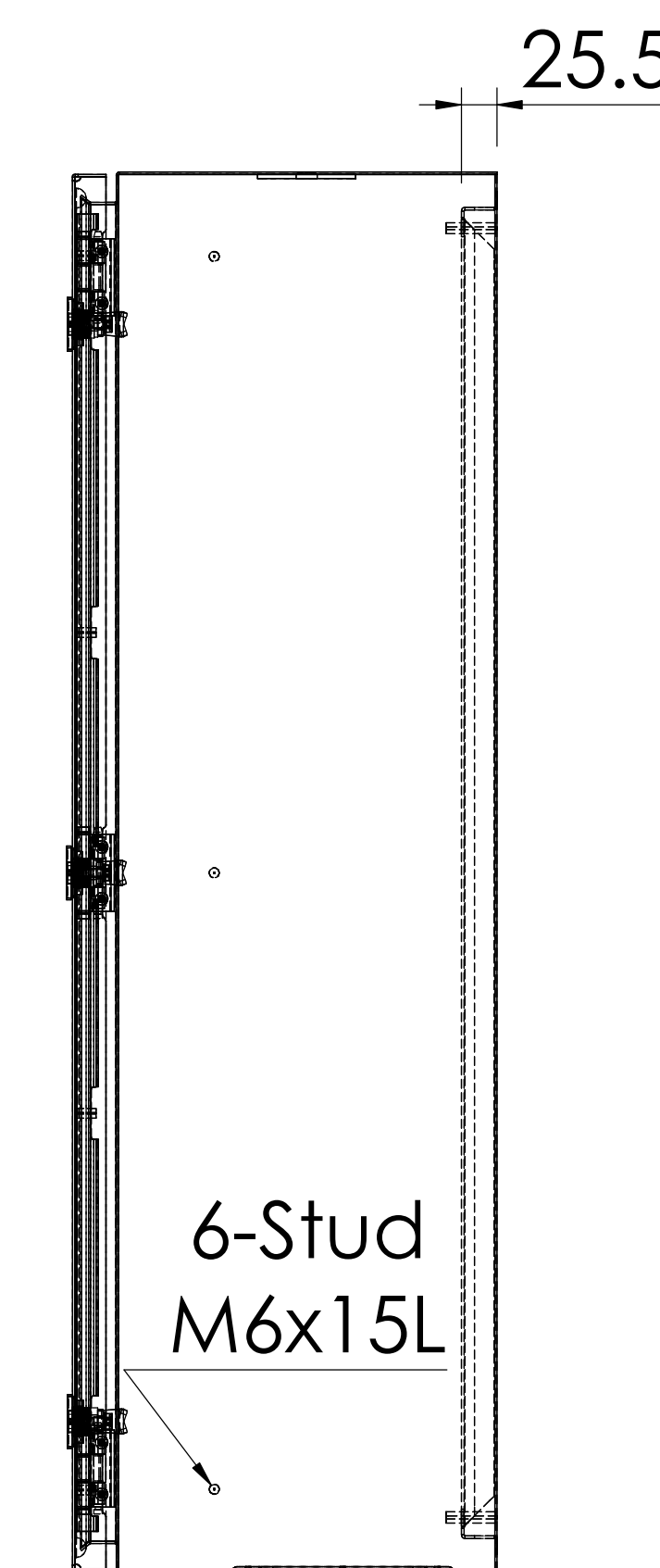
TOP VIEW



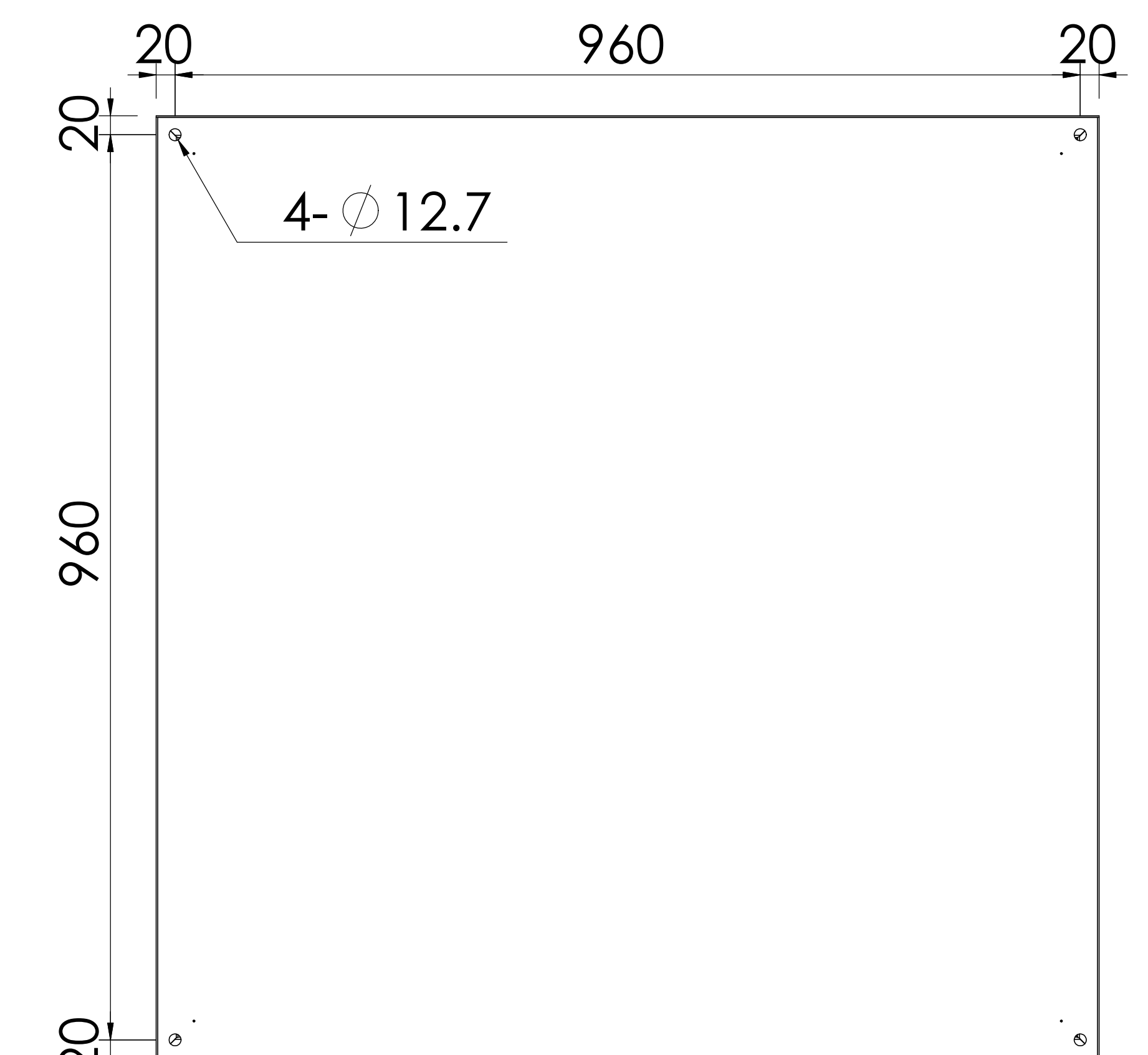
Mounting Plate



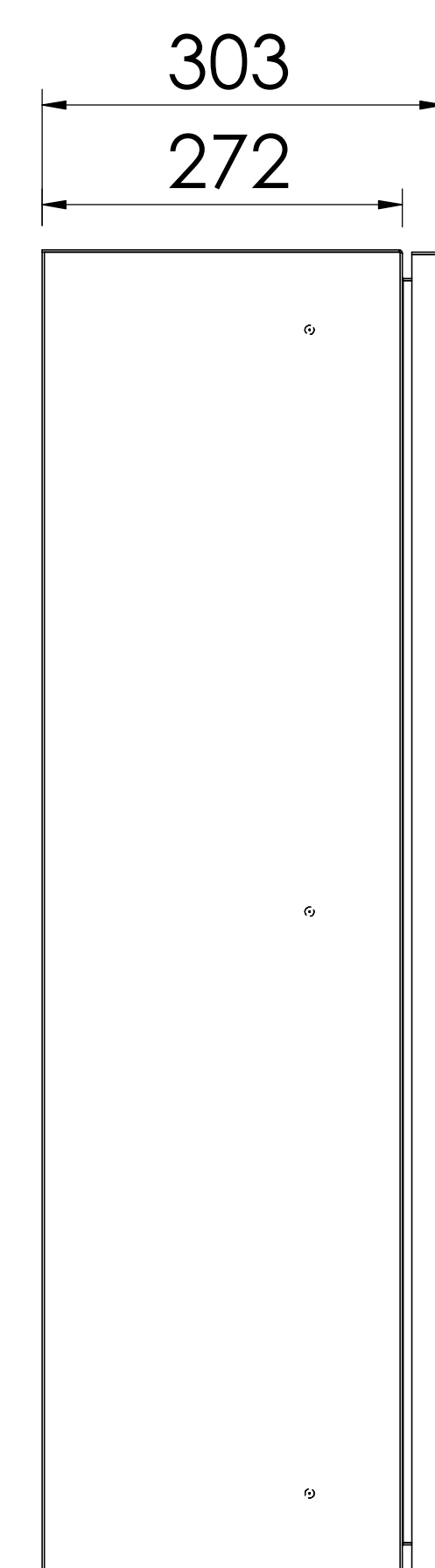
FRONT VIEW



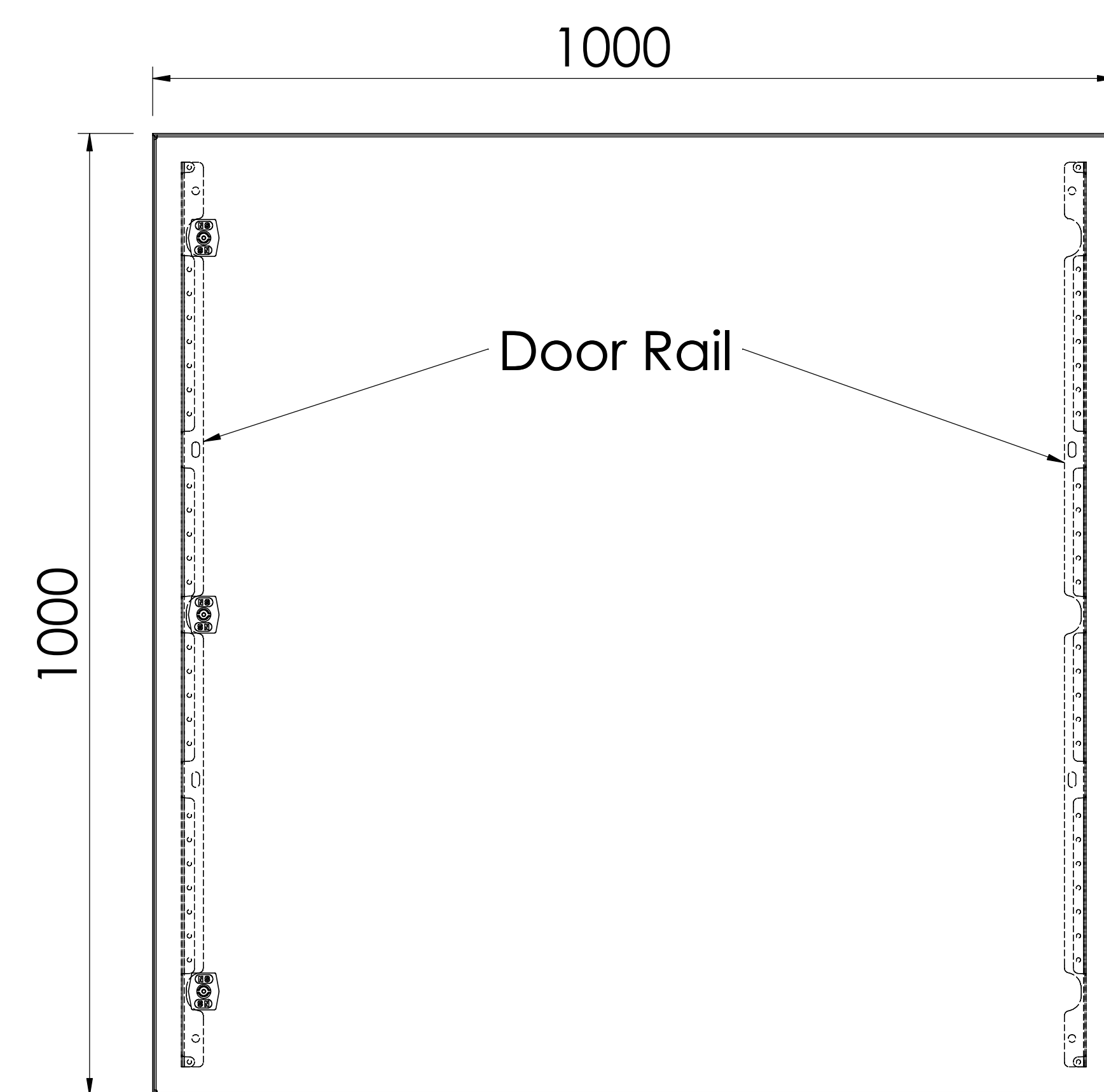
RSIDE VIEW



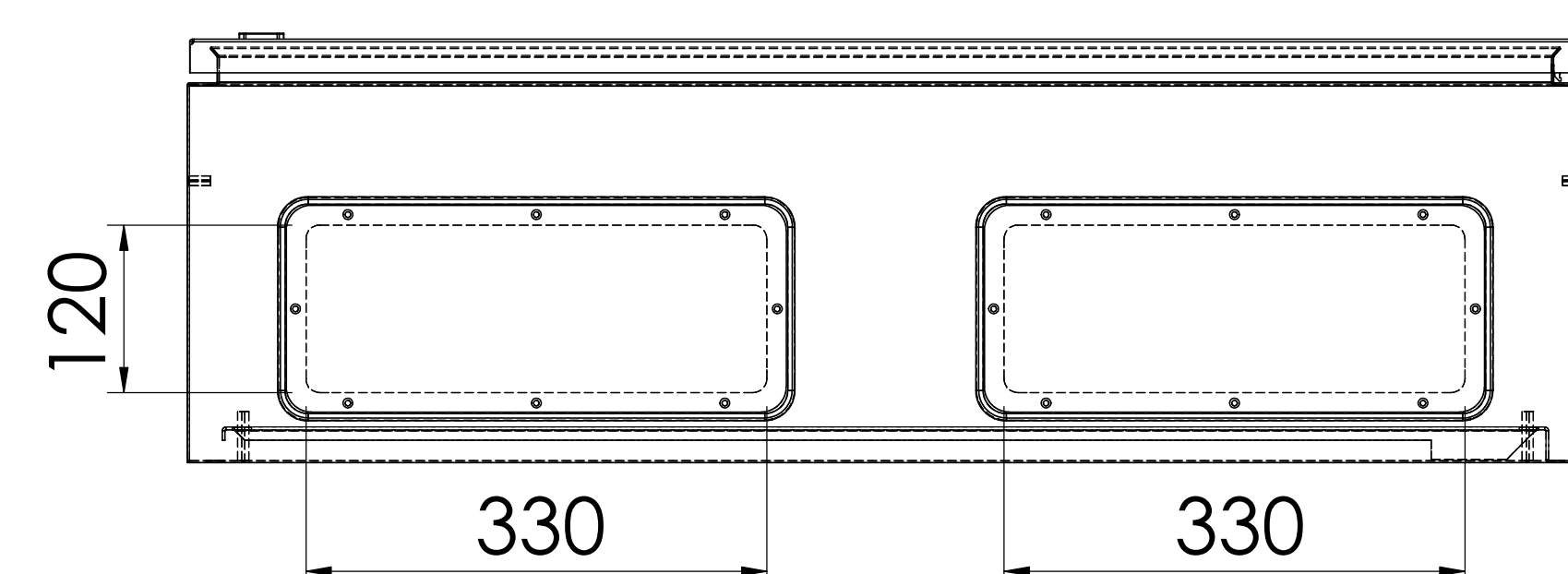
REAR VIEW



LSIDE VIEW



FRONT VIEW



BOTTOM VIEW

- Body : PO-1.5mm+Powder Coating (RAL 7035)
- Door : PO-1.8mm+Powder Coating (RAL 7035)
- Mounting Plate : GI-2.0mm
- Hinge : Zinc Alloy
- Lock : Zinc Alloy

59KG

備註：

| | | | | | | | |
|-----------------------------|----|-------------|-------------|--------|----------|--------------------|---------------|
| NS NonStone Co. Ltd. | | Drawing No. | FT 10010030 | | | | |
| Customer Order No. | | | Author | Editor | Approve. | Customer SP | Order Qty. |
| Customer Drawing No. | | | 莫秀邦 | | | Command | Date 2025/3/3 |
| Dimensions Unit | mm | SCALE:1:20 | | | | | |