

Data Sheet for Article: MU221024--

# Plug-in Relay, 8 pin, 2 CO, 24VDC, 10A

Compatible with MT221024--



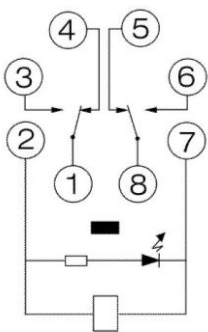
## Technical Data

Net weight (kg)	0,09
Min. ambient temperature (°C)	-10
Max. ambient temperature (°C)	55
Contact current (A)	10
Rated current [Resistive load] (A)	10
Rated voltage [Resistive load]	250VAC / 30VDC
Switching capacity [Resistive]	2500VA / 300W
Contact material	Ag alloy
Initial contact resistance (Ohm)	≤50mΩ
Electrical endurance (Operation cycle)	≥ 10 <sup>5</sup> operations (1800 operations/h)
Mechanical durability	≥ 10 <sup>7</sup> operations (18000 operations/h)
Pick-up voltage DC (V)	≤ 80% (Bemessungsspannung)
Drop-out voltage DC (V)	≥ 10% (Rated voltage)
Maximum voltage (V)	110% (Rated voltage)
Insulation resistance (MΩ*km)	≥ 100mΩ (500VDC)
Operate time [at nominal voltage] (ms)	≤ 30ms
Release time [at nominal voltage] (ms)	≤ 20ms
<b>Initial breakdown voltage</b>	
Between poles	2500VAC/1min

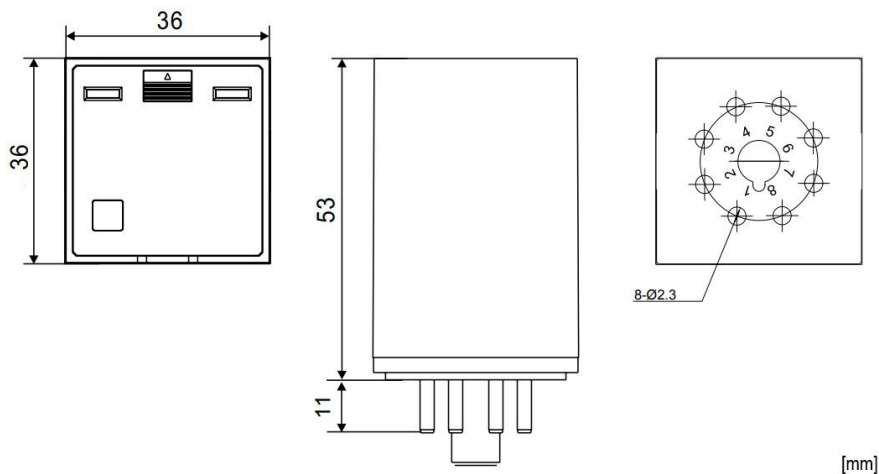
## Technical Data - continued

Between contact and coil	2500VAC/1min
Humidity (%)	35% - 85% RH
Air pressure	86 - 106kPa
shock resistance	10G
Vibration resistance	10 - 55Hz
<b>Coil information</b>	
Coil resistance	430Ω

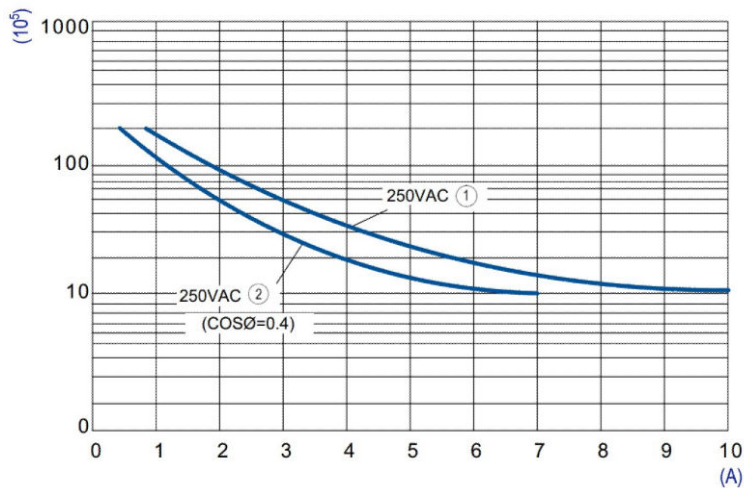
## Circuit diagram: Plug-in Relay, 8 pin, 2 CO, 24VDC, 10A



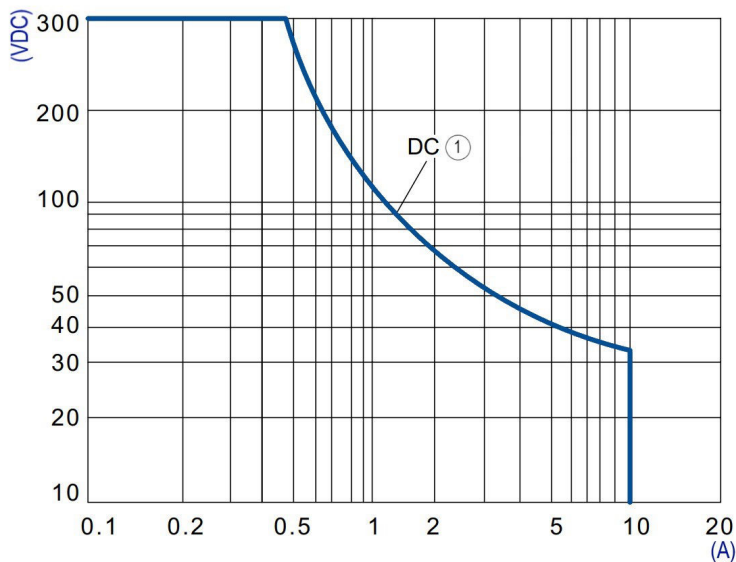
## Dimensioned drawing: Plug-in Relay, 8 pin, 2 CO, 24VDC, 10A



## Electrical Durability Contacts 1) resistive load 2) inductive load



## Maximum Switching Capacity 1) resistive load



## Article Table

DESCRIPTION	Order No.
Plug-in Relay, 8 pin, 2 CO, 24VDC, 10A Compatible with MT221024--	MU221024
<b>Optional Accessories</b>	
Socket, screw connection, 8 pole, 12A for 2 pole MU relays Compatible with YMR78701--	YMU78701