



Auer Signal

LED Blinkleuchte - elektronische Mehrtonsirene CS1 Flashing beacon - buzzer CS1

Montageanweisung / Instruction sheet

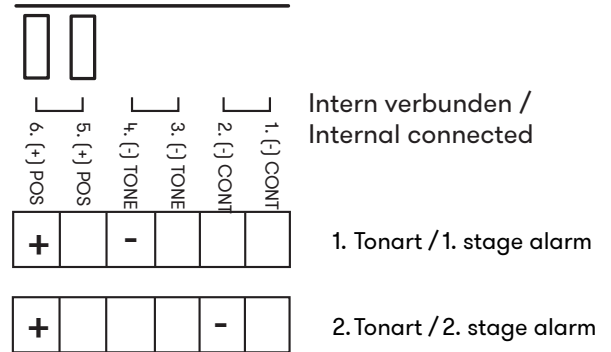
ACHTUNG Schalten Sie den Strom während der Installation oder bei Wartungsarbeiten ab um einen elektrischen Schlag zu vermeiden. Prüfen Sie die Spannung und Frequenz der Stromquelle.

ATTENTION Disconnect from power source to prevent electrical shock before installing or servicing. Check power supply voltage and frequency.

Technische Daten / Technical Data

Versorgungsspannung / nominal voltage	18 - 35 VDC
Nennstrom / nominal current	37 mA@ 24 VDC
Schutzart / Ingress protection	IP65
Schalldruck / sound level	Max.109 dB
Lautstärkeregelung / volume control	-20 dB
Blinkfrequenz / flash rate	~ 1Hz
Temperaturbereich / temperature range	-20°C .. +70°

Elektrischer Anschluss / Electrical connection



Tonarteneinstellung / Tone type selection

1	<input type="radio"/>	<input type="checkbox"/>	--	Ton aus, nur Blinklicht No sound, Flash only
2	<input type="radio"/>	<input type="checkbox"/>	--	
3	<input type="radio"/>	<input type="checkbox"/>	--	
4	<input type="radio"/>	<input type="checkbox"/>	--	Tonarteneinstellung Tone type selection
5	<input type="radio"/>	<input type="checkbox"/>	--	
6	<input type="radio"/>	<input type="checkbox"/>	--	
7	A	<input type="checkbox"/>	C	Lautstärkeeinstellung Volume selection
8	B	<input type="checkbox"/>	D	

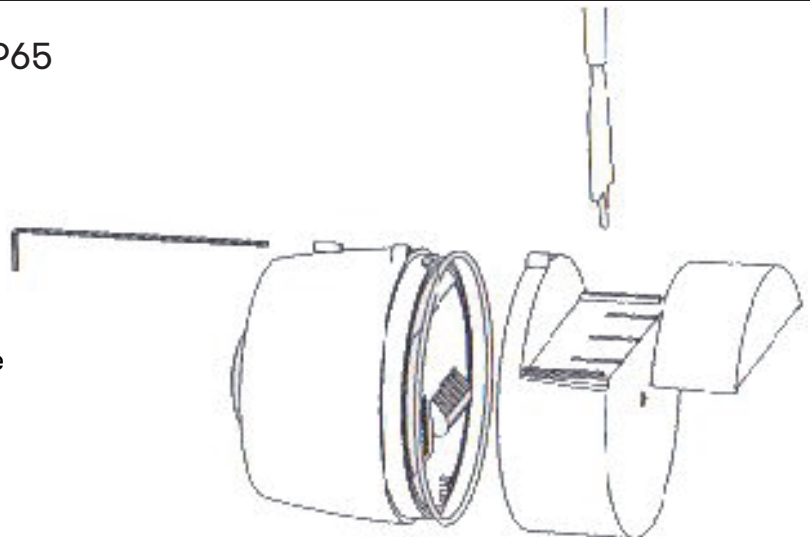
Volume

Lautstärkeeinstellung Volume selection

A	<input type="checkbox"/>	C	High
B	<input type="checkbox"/>	D	
A	<input type="checkbox"/>	C	Medium
B	<input type="checkbox"/>	D	
A	<input type="checkbox"/>	C	Low
B	<input type="checkbox"/>	D	

Gehäuse für IP65 / Housing for IP65

Inbusschlüssel wird nicht mitgeliefert
Allen key not supplied.



Bohrschablone auf Anfrage oder downloadbar auf Auer Website

Drilling template on request or downloadable on Auer website

Tontabelle / Tone table

Nr.	Sound	Tone frequency	DIP-switch	2nd stage alarm (Hz)
1	LF Sweep	800 - 1000Hz @ 0.5 sec	1 1 1 1 1	800 cont
2	Alternative warble BS standard	800/960Hz @ 2Hz	1 1 1 1 0	800 cont
3	Warble Tone BS standard	800/1000Hz @ 0.5 sec	1 1 1 0 1	800 cont
4	Alternative warble BS standard	500/600Hz @ 2Hz	1 1 1 0 0	500 cont
5	HF Back up interrupted tone	2800Hz @ 1.0 sec on/off	1 1 0 1 1	2800 cont
6	LF Back up Alarm	800Hz @ 150 msec on/off	1 1 0 1 0	800 cont
7	HF Back up interrupted tone - fast	2800Hz @ 150 msec on/off	1 1 0 0 1	800 cont
8	LF Continuous tone BS5839	800Hz cont	1 1 0 0 0	Same tone
9	Sweep tone (1Hz)	800/900Hz @ 1Hz	1 0 1 1 1	800 cont
10	Australian slow whoop	Intermittent 970Hz 0.625ms on/0.625ms off	1 0 1 1 0	500-1200
				3.75 sec on 0.25 sec off
11	Dutch sweep tone	970Hz cont	1 0 1 0 1	500-1200
				3.5 sec on 0.5 sec off
12	Analogue sweep tone	500/600Hz @ 2Hz	1 0 1 0 0	500 cont
13	Sweep tone (3Hz)	800/970Hz @ 3Hz	1 0 0 1 1	800 cont
14	Alternate HF slow sweep	2350/2900Hz @ 3Hz	1 0 0 1 0	2400 cont
15	Fast HF sweep	2400-2800Hz @ 7Hz	1 0 0 0 1	2400 cont
16	US Temporal Pattern LF	950Hz for 0.5 sec on 0.5 sec offx3	1 0 0 0 0	800 cont
		then 1.5 sec then repeat		
17	Interrupted tone BS standard	Interrupted tne 800Hz @ 0.5 sec on/of	0 1 1 1 1	800 cont
18	ISO 8201 LF BS5839 Pt 1 198	Intermittent 970Hz 500ms on/500ms of	0 1 1 1 0	Same tone
19	Interrupted tone medium	1000Hz @ 0.25 sec on/off	0 1 1 0 1	800 cont
20	ISO8201 HF	Intermittent 970Hz 500 ms on /500 ms off	0 1 1 0 0	Same tone
21	Continuous tone	1000Hz continuous	0 1 0 1 1	Same tone
22	LF Buzz	800-950Hz swept @ 110Hz	0 1 0 1 0	800 cont
23	HF Continuous	2800Hz	0 1 0 0 1	2800 cont
24	Sweep tone (9Hz)	800-970Hz @ 9Hz	0 1 0 0 0	800 cont
25	German DIN tone	Sweep 1200-500Hz @ 1Hz	0 0 1 1 1	800 cont
26	Swedish Fire signa	Intermittent 660Hz 150 ms on / 150 ms of	0 0 1 1 0	Same tone
27	French tone AFNRO	554Hz for 100 ms and 440Hz for 400m	0 0 1 0 1	800 cont
28	Swedish all clear signal	Continuous 660Hz	0 0 1 0 0	Same tone
29	US Temporal Pattern HF	2900Hz for 0.5 sec on 0.5 offx3,	0 0 0 1 1	2900 cont
		off for 1.5 sec then repeat		
30	Siren 2 way ramp (short)	500/1200Hz rising then falling 0.25 se	0 0 0 1 0	800 cont
31	FP 1063.1 - Telecom	Alternating tone 800/970 Hzz@ 2H	0 0 0 0 0	800 cont
32	Siren 2 way ramp (long)	500/1200Hz 3 sec rising / 3 sec fallin	0 0 0 0 0	800 cont