

Multi-folded edge provides additional strength for enclosures body and prevents dirt and water fall in when the enclosure is opened.

High quality seamless foamed-in-place gasket.



Mounting plate is made of galvanized steel.

Heavy duty stainless steel Quarter-turn Locks.

Heavy duty 180° degree stainless steel hinge.

# ***FTSS Series*** Stainless Steel Enclosures



## FTSS Series Stainless Steel Enclosures

### FTSS Single-Door, IP66



Following options are available for stainless Steel enclosures (picture above):

1. Stiffener
2. Interior no painting
3. SUS 316 lock



### **C**onstruction

- Door: 1.5mm - 1.8mm Stainless Steel
- Body: 1.2mm - 1.5mm Stainless Steel
- 2mm galvanized steel mounting panel
- High quality automatic seamless foam-in-place gasket
- Seams continuously welded
- Stainless Steel Heavy-Duty Quarter-turn lock
- Stainless Steel Heavy-Duty hinge
- Grounding studs on body and door
- Door opening 180°

### **F**inish

- Cover and body have brushed smooth.
- Interior of enclosure and mounting panel are painted white.

### **I**ndustry Standards

#### FTSS Series, single-door

- IP66, IEC 60529
- REACH Compliant
- RoHS Compliant
- CE

### **C**ustom Enclosures

Nonstone offers high quality custom enclosures and modification services at competitive price. For information, please contact your NonStone representative.

- Other finish color and textures
- Cutouts and special holes in body and doors.
- Custom doors
- Custom body
- Special or custom accessories

## FTSS Single-Door

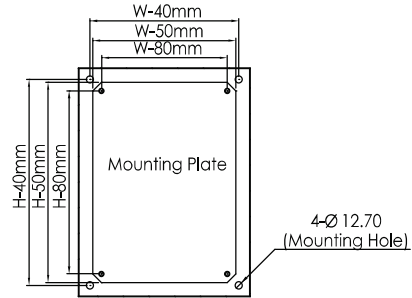
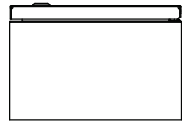
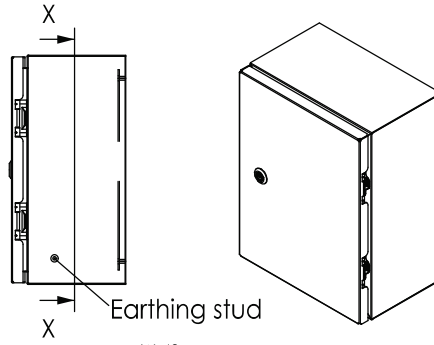
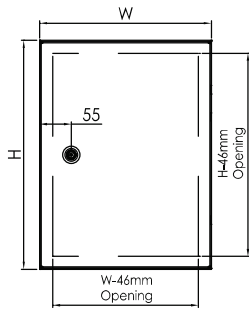
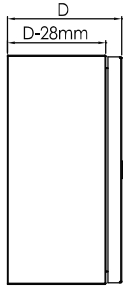
NO.	Catalog Number	Dimensions		
		H(mm)	W(mm)	D(mm)
1	FTSS 202015	200	200	150
2	FTSS 302015	300	200	150
3	FTSS 302515	300	250	150
4	FTSS 302520	300	250	200
5	FTSS 303015	300	300	150
6	FTSS 303020	300	300	200
7	FTSS 304015	300	400	150
8	FTSS 304020	300	400	200
9	FTSS 403015	400	300	150
10	FTSS 403020	400	300	200
11	FTSS 404020	400	400	200
12	FTSS 406020	400	600	200
13	FTSS 406025	400	600	250
14	FTSS 406030	400	600	300
15	FTSS 503015	500	300	150
16	FTSS 503020	500	300	200
17	FTSS 504015	500	400	150
18	FTSS 504020	500	400	200
19	FTSS 504025	500	400	250
20	FTSS 505020	500	500	200
21	FTSS 505025	500	500	250
22	FTSS 507020	500	700	200
23	FTSS 507025	500	700	250
24	FTSS 604020	600	400	200
25	FTSS 604025	600	400	250
26	FTSS 604030	600	400	300

NO.	Catalog Number	Dimensions		
		H(mm)	W(mm)	D(mm)
27	FTSS 605020	600	500	200
28	FTSS 605025	600	500	250
29	FTSS 606020	600	600	200
30	FTSS 606025	600	600	250
31	FTSS 606030	600	600	300
32	FTSS 705020	700	500	200
33	FTSS 705025	700	500	250
34	FTSS 806020	800	600	200
35	FTSS 806025	800	600	250
36	FTSS 806030	800	600	300
37	FTSS 808025	800	800	250
38	FTSS 808030	800	800	300
39	FTSS 1006025	1000	600	250
40	FTSS 1006030	1000	600	300
41	FTSS 1006040	1000	600	400
42	FTSS 1008025	1000	800	250
43	FTSS 1008030	1000	800	300
44	FTSS 1206030	1200	600	300
45	FTSS 1206040	1200	600	400
46	FTSS 1208030	1200	800	300

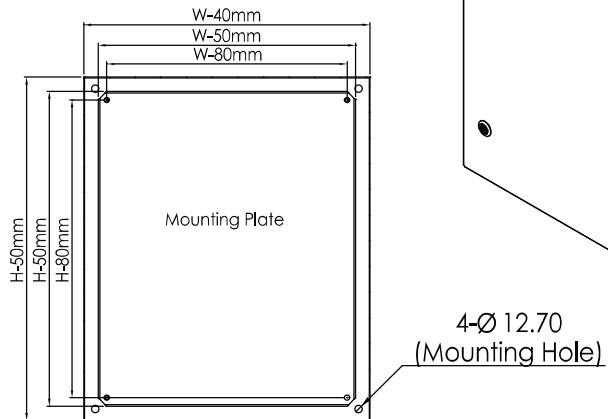
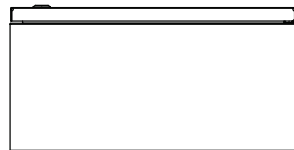
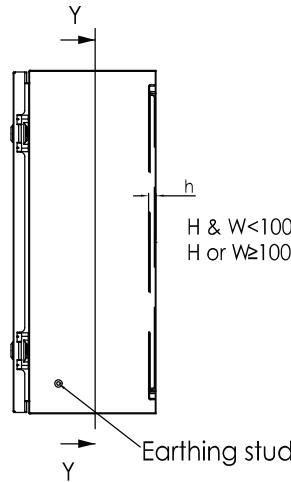
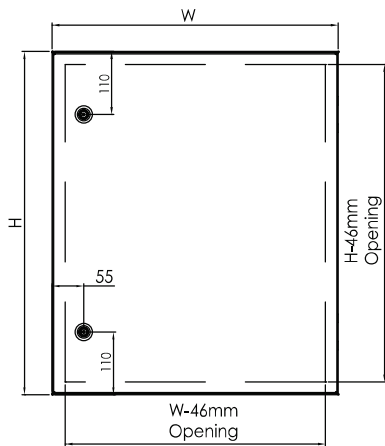
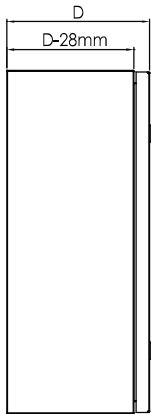
NO. H(mm) W(mm) D(mm)

47 SFTSS Custom Dimensions

Special/Custom sizes, cut-outs available on request.



Section View X-X



Section View Y-Y

FTSS Series

Stainless Steel Enclosures