

Data Sheet for Article: MM216532--

# Compl. encl., 3 push-butt., I / O / II, gn/rd/gn, 3 x 1NO+1NC

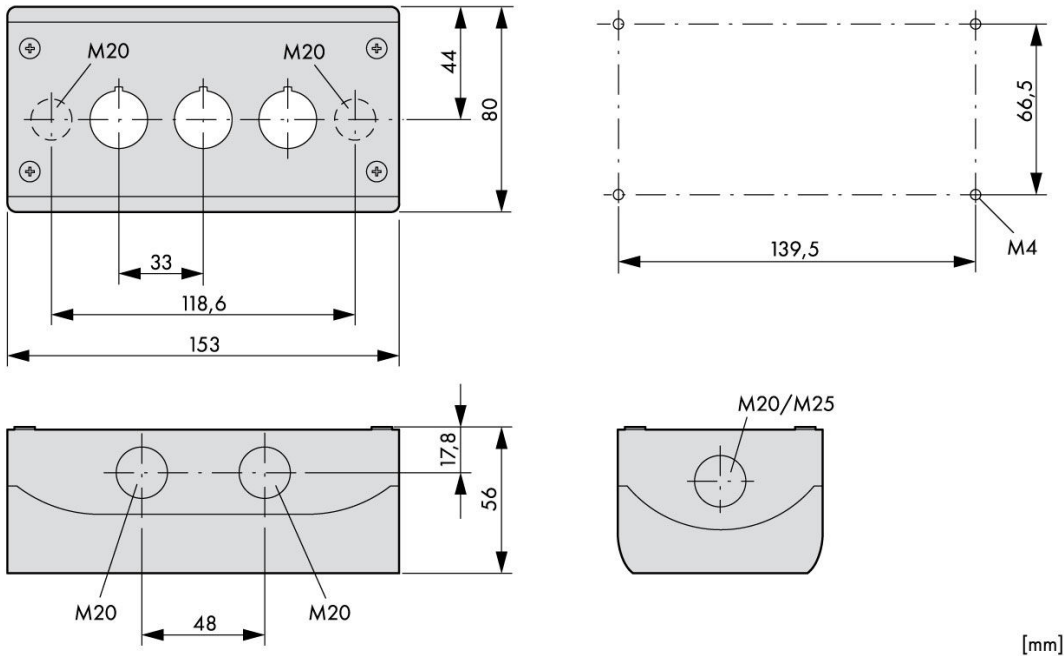
IP67



## Technical Data

Series	MM-SET
Illumination	non-illuminated
Colour	Black/light gray
Device category	3
Make-up	Surface mount housing
IP Rating	IP69K IP67
shock resistance	30G
Ambient temperature Open (°C)	-25°C...+70°C
Climatic proofing	Damp heat, constant, to IEC 60068-2-78 Damp heat, cyclic, to IEC 60068-2-30
Standards	IEC/EN 60947, VDE 0660
Actuating force (N)	5
Lifespan, mechanical	5000000 Operations
Operating frequency	&lt; 3600 Operations
Mounting position	any
Type No.	M22-I3-M1

## Maßbild



## Article Table

DESCRIPTION	Order No.
Compl. encl., 3 push-butt., I / O / II, gn / rd / gn, 3 x 1NO+1NC IP67	MM216532